



US00D557495S

(12) **United States Design Patent**  
**Chan et al.**

(10) **Patent No.:** **US D557,495 S**  
(45) **Date of Patent:** **\*\* Dec. 18, 2007**

(54) **HOLDING DEVICE FOR HOLDING AND POSITIONING A PORTABLE OBJECT**

(75) Inventors: **James Chan**, San Marino, CA (US);  
**Saharut Sirichai**, Hong Kong (HK)

(73) Assignee: **Belkin International, Inc.**, Compton, CA (US)

(\*\*) Term: **14 Years**

(21) Appl. No.: **29/270,898**

(22) Filed: **Jan. 5, 2007**

(51) **LOC (8) Cl.** ..... **03-01**

(52) **U.S. Cl.** ..... **D3/218**

(58) **Field of Classification Search** ..... D3/218,  
D3/215, 219, 224-226, 247-252; 150/106-112;  
190/100-115; 224/206, 600, 602, 605, 623,  
224/666; 206/320, 581; 379/455; 455/100  
See application file for complete search history.

(56) **References Cited**

**U.S. PATENT DOCUMENTS**

D501,718 S *	2/2005	Brown	.....	D3/247
D519,275 S *	4/2006	Shertzer	.....	D3/218
D543,023 S *	5/2007	Han et al.	.....	D3/218
2001/0035444 A1 *	11/2001	Alis	.....	224/666

\* cited by examiner

*Primary Examiner*—Catherine R. Oliver  
(74) *Attorney, Agent, or Firm*—Bryan Cave LLP

(57) **CLAIM**

We claim the ornamental design for a holding device for holding and positioning a portable object, as shown and described.

**DESCRIPTION**

FIG. 1 is a front, left, bottom elevated view of the holding device for holding and positioning a portable object in a closed position;

FIG. 2 is a front view thereof;

FIG. 3 left side view thereof;

FIG. 4 is a rear view thereof.

FIG. 5 is a right side view thereof;

FIG. 6 is a bottom view thereof;

FIG. 7 is a top view thereof;

FIG. 8 is a front, right, bottom elevated view of the holding device for holding and positioning a portable object in an open position;

FIG. 9 is a top, left, rear perspective view thereof

FIG. 10 is a front view thereof;

FIG. 11 is a top view thereof;

FIG. 12 is a rear view thereof;

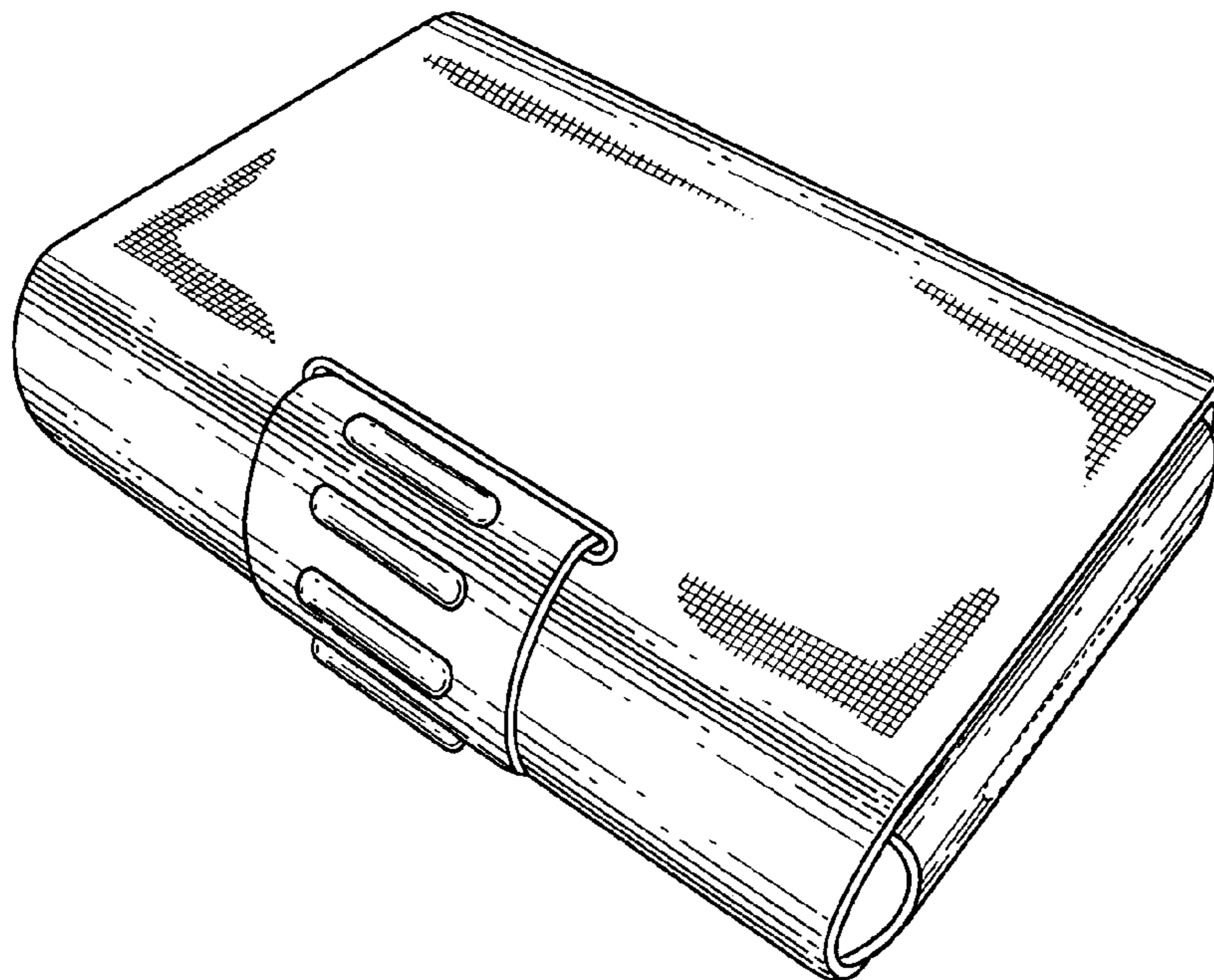
FIG. 13 is a bottom view thereof;

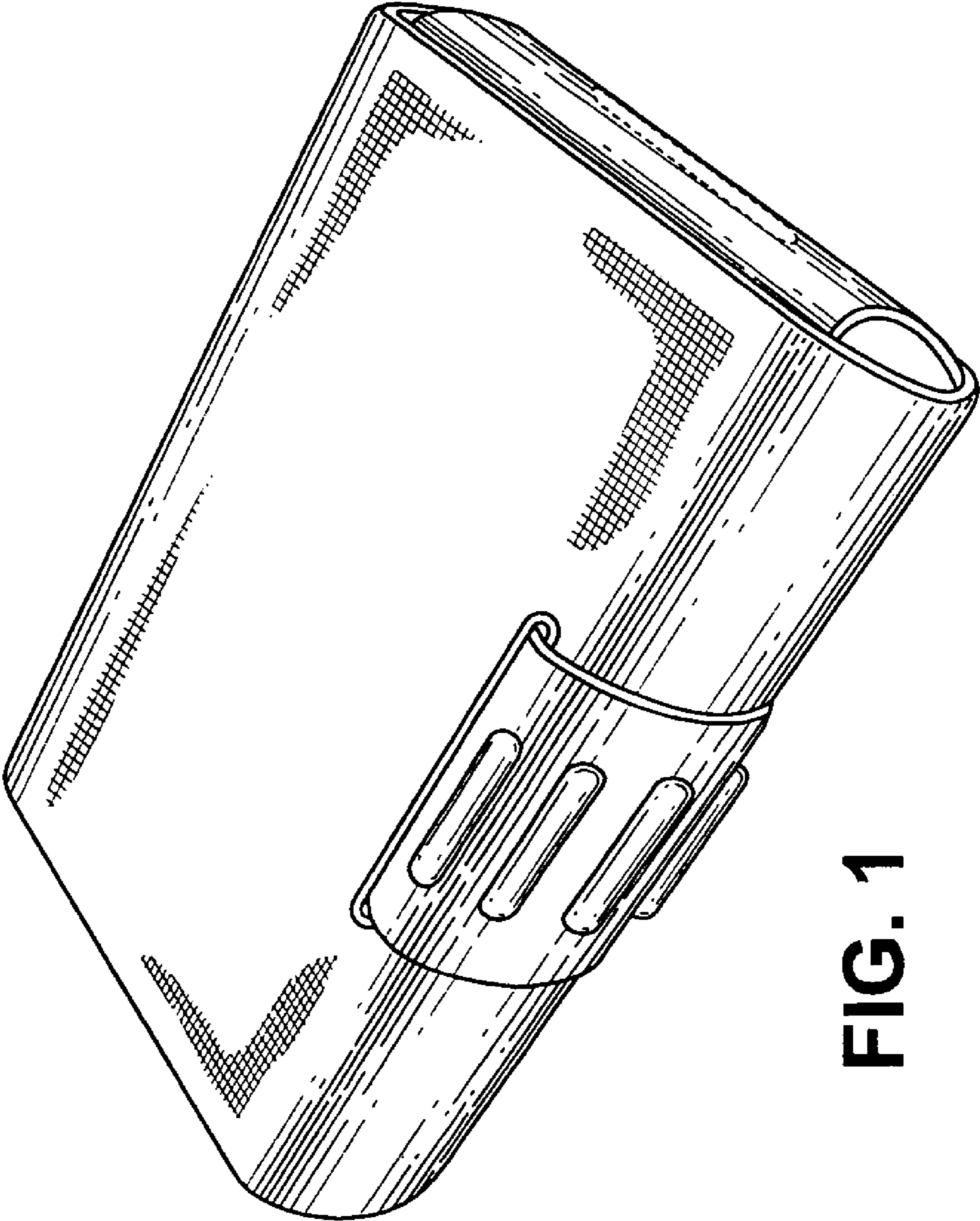
FIG. 14 is a top-down view of the front, left side, and rear thereof; and,

FIG. 15 is a bottom-up view of the rear and right side thereof.

The broken lines in the drawings are for illustrative purposes only and form no part of the claimed design.

**1 Claim, 10 Drawing Sheets**





**FIG. 1**

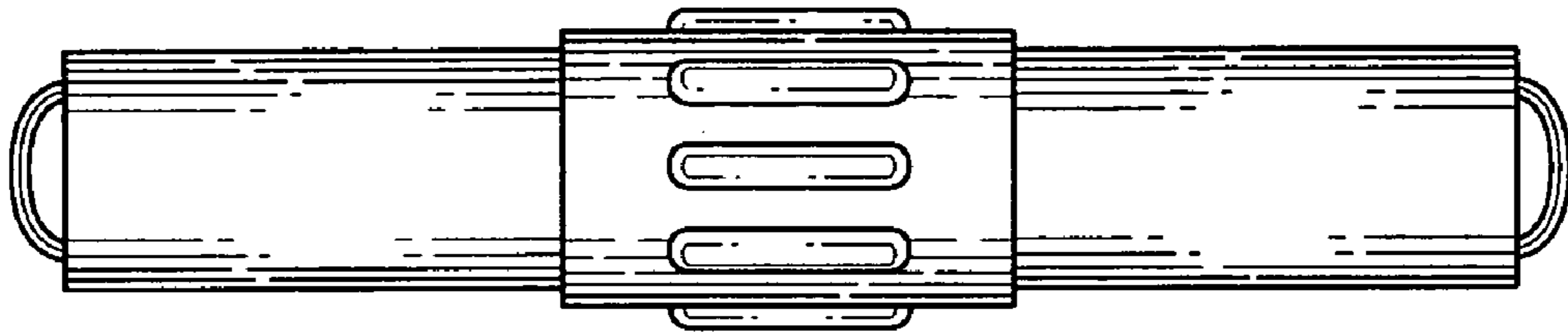


FIG. 3

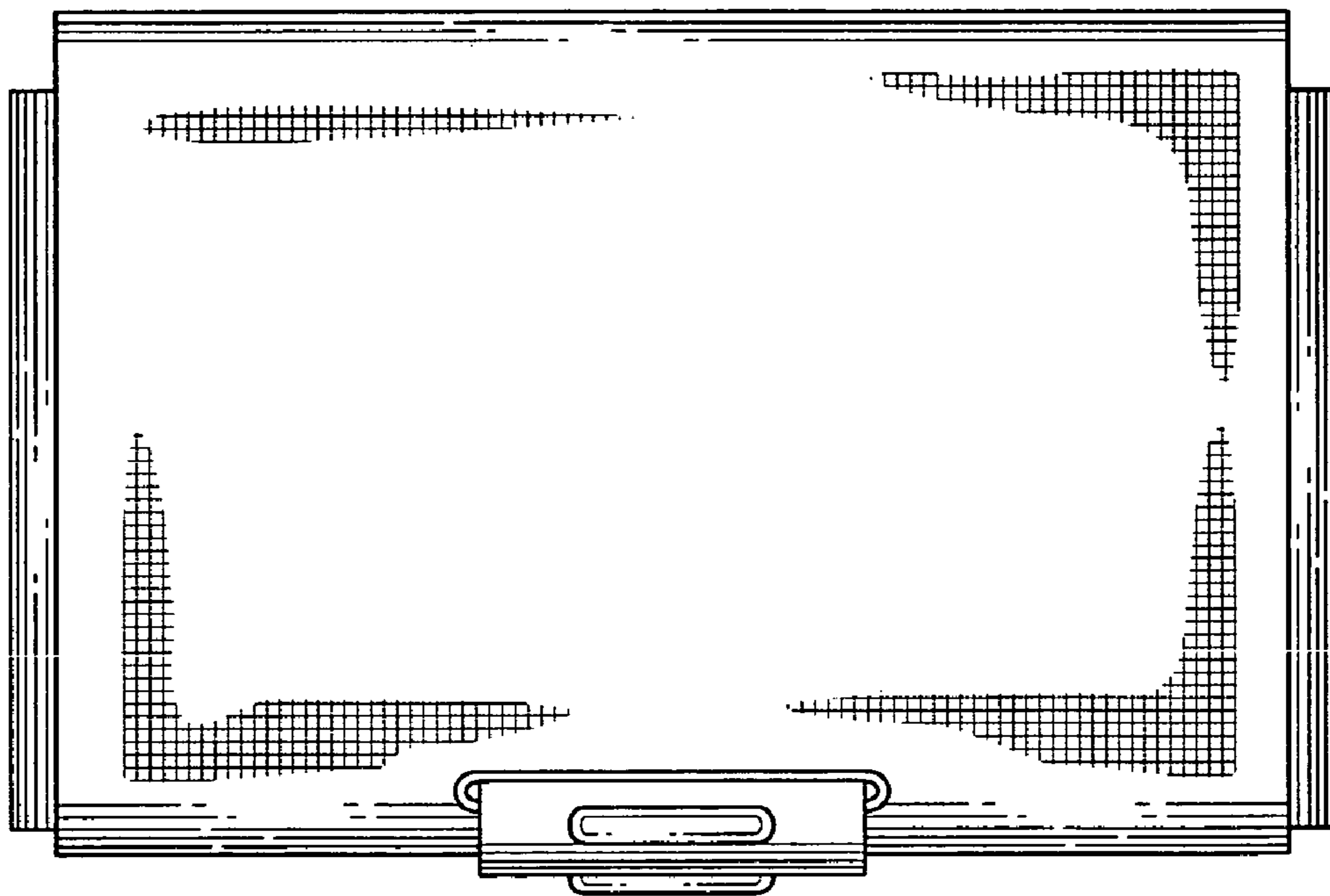
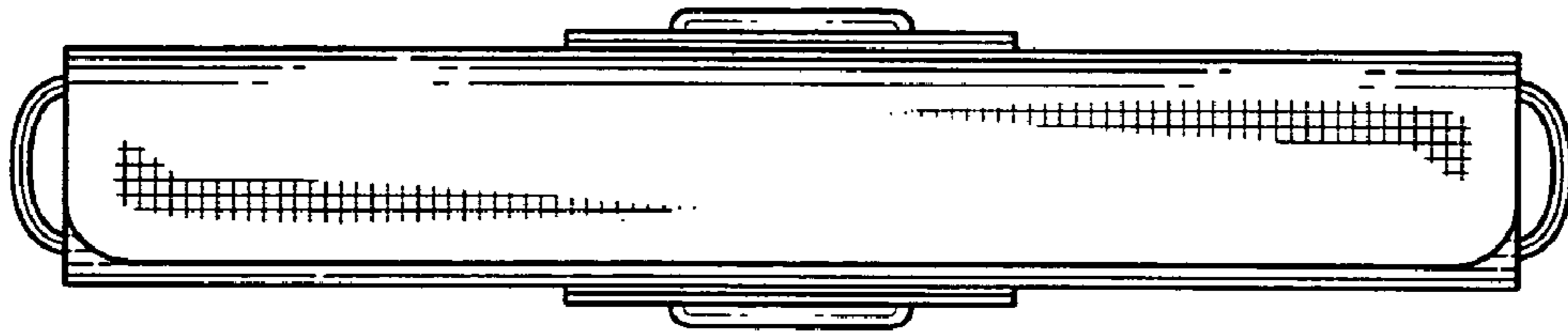
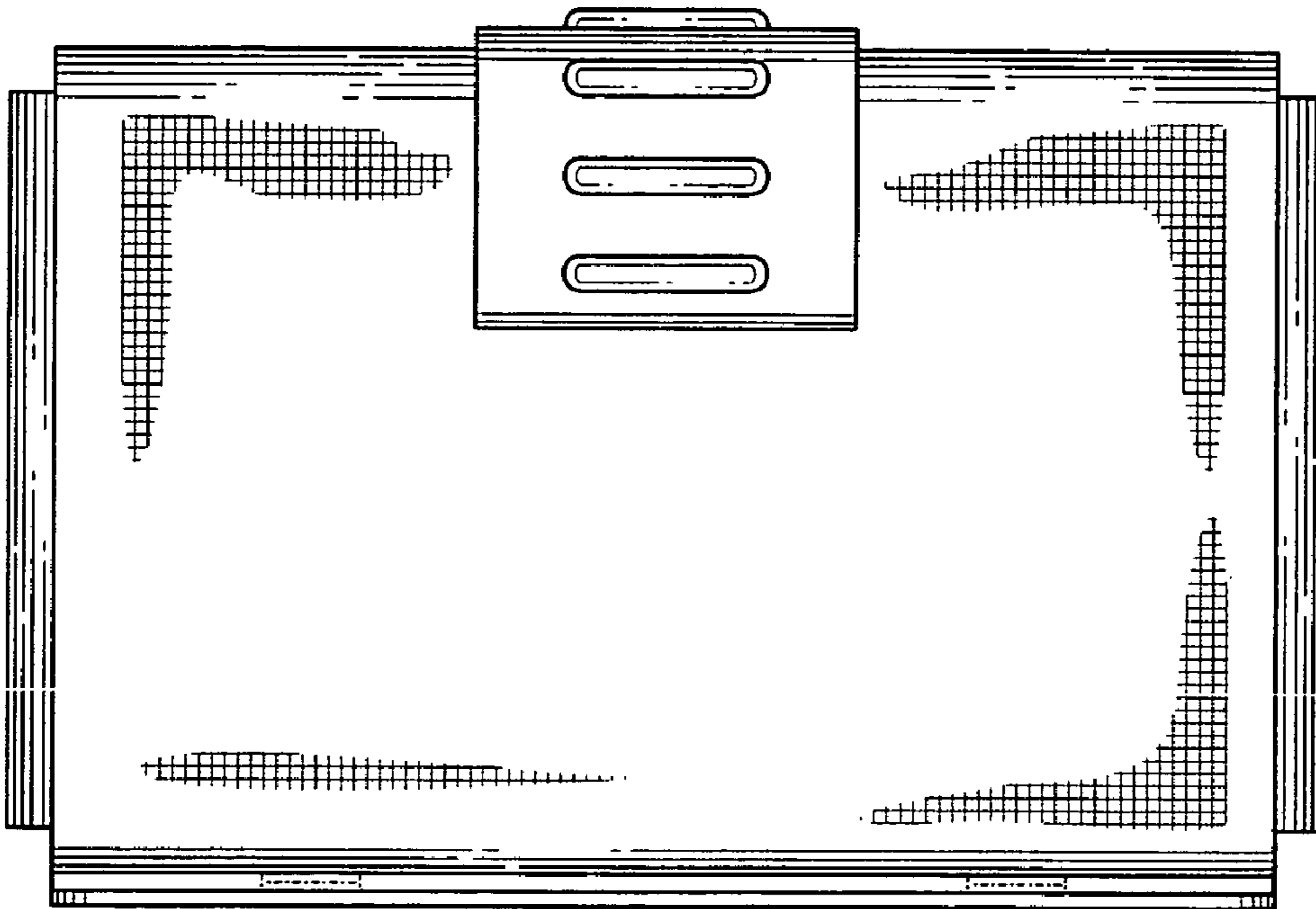


FIG. 2

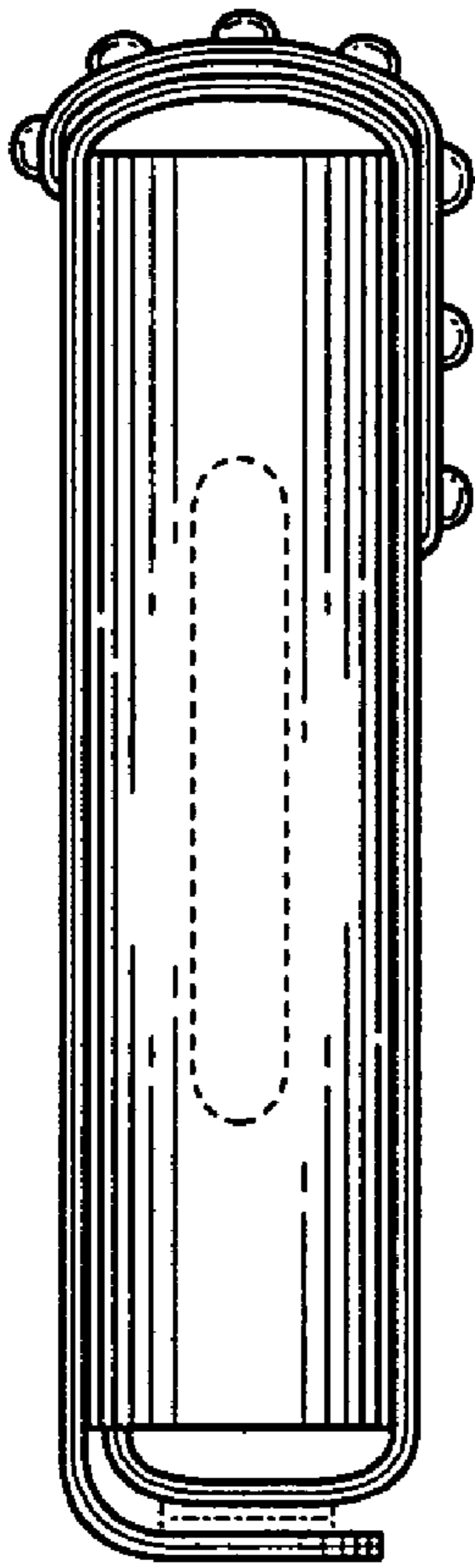


**FIG. 5**

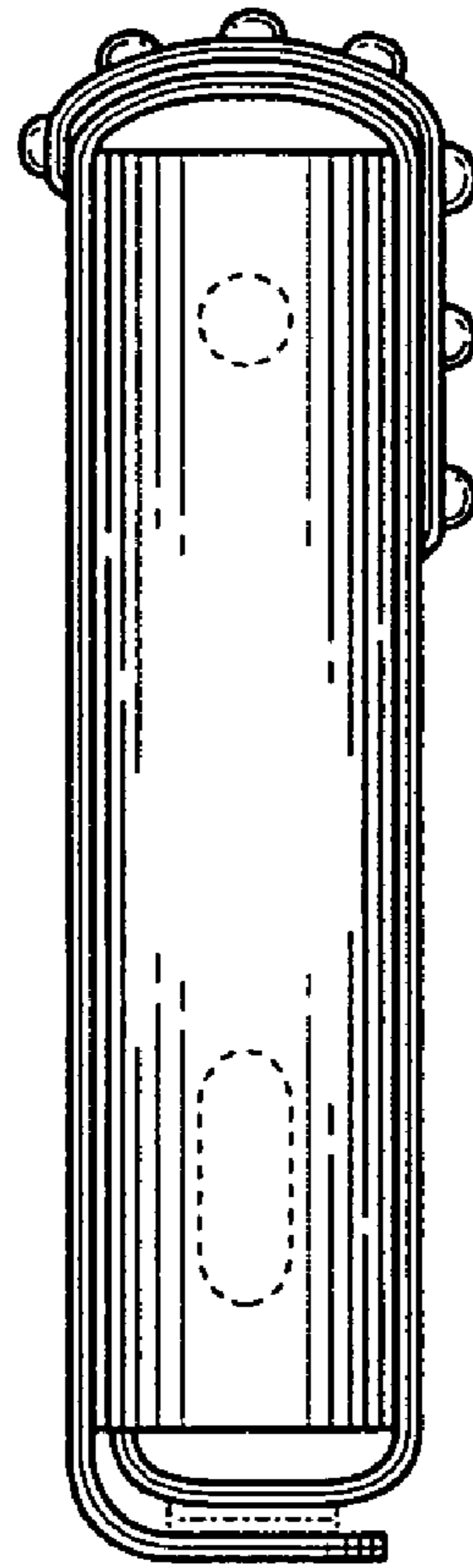


**FIG. 4**

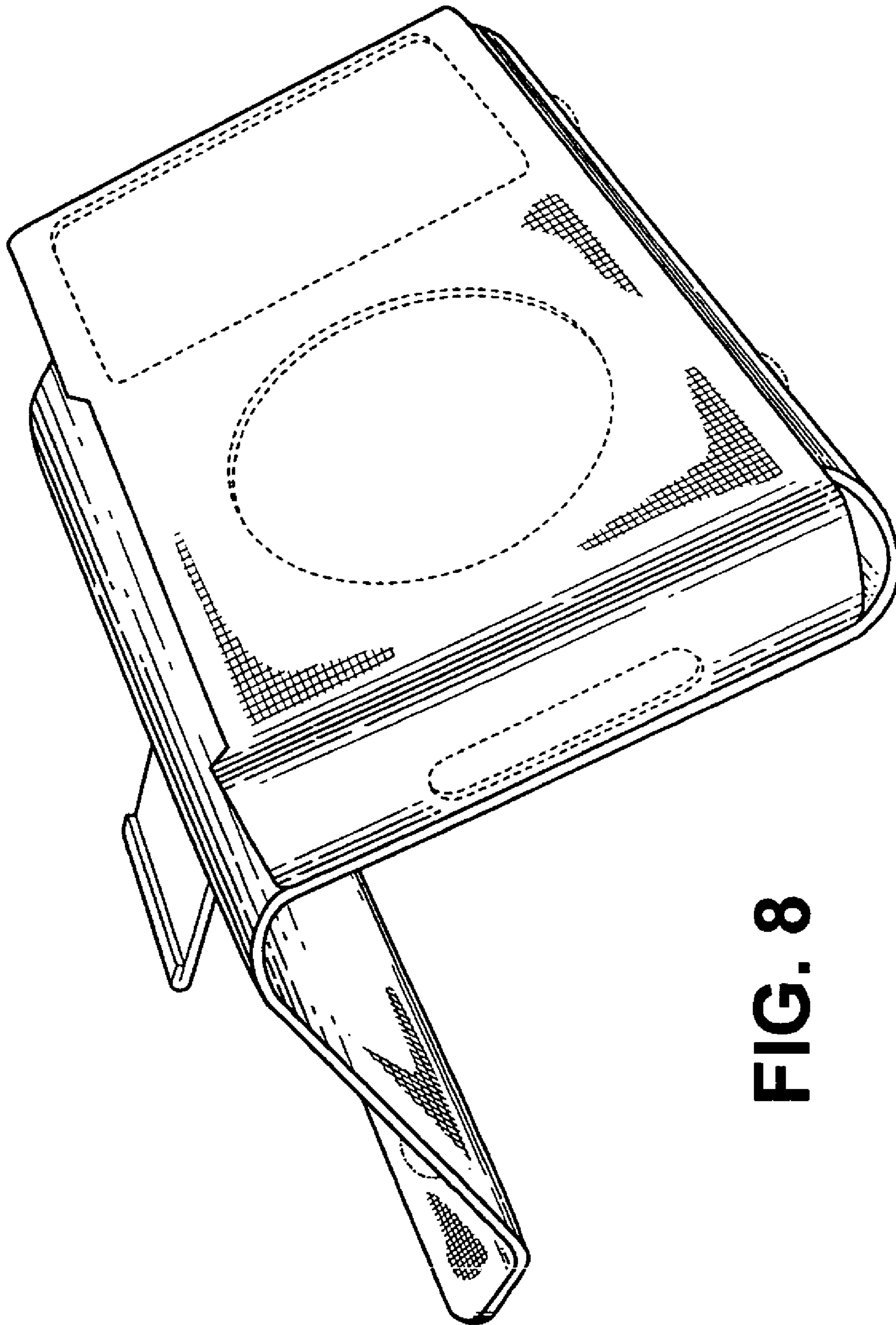




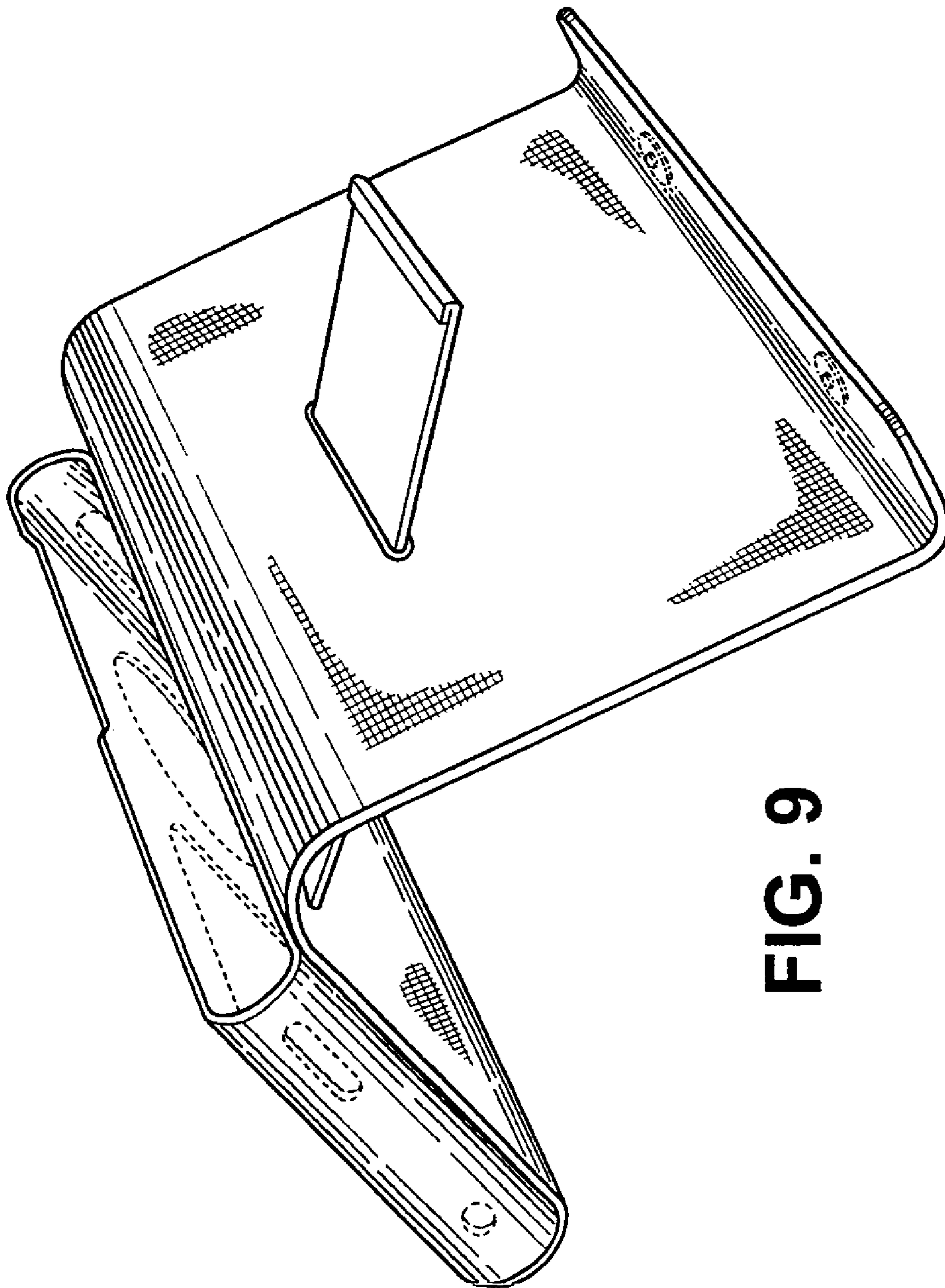
**FIG. 6**



**FIG. 7**



**FIG. 8**



**FIG. 9**

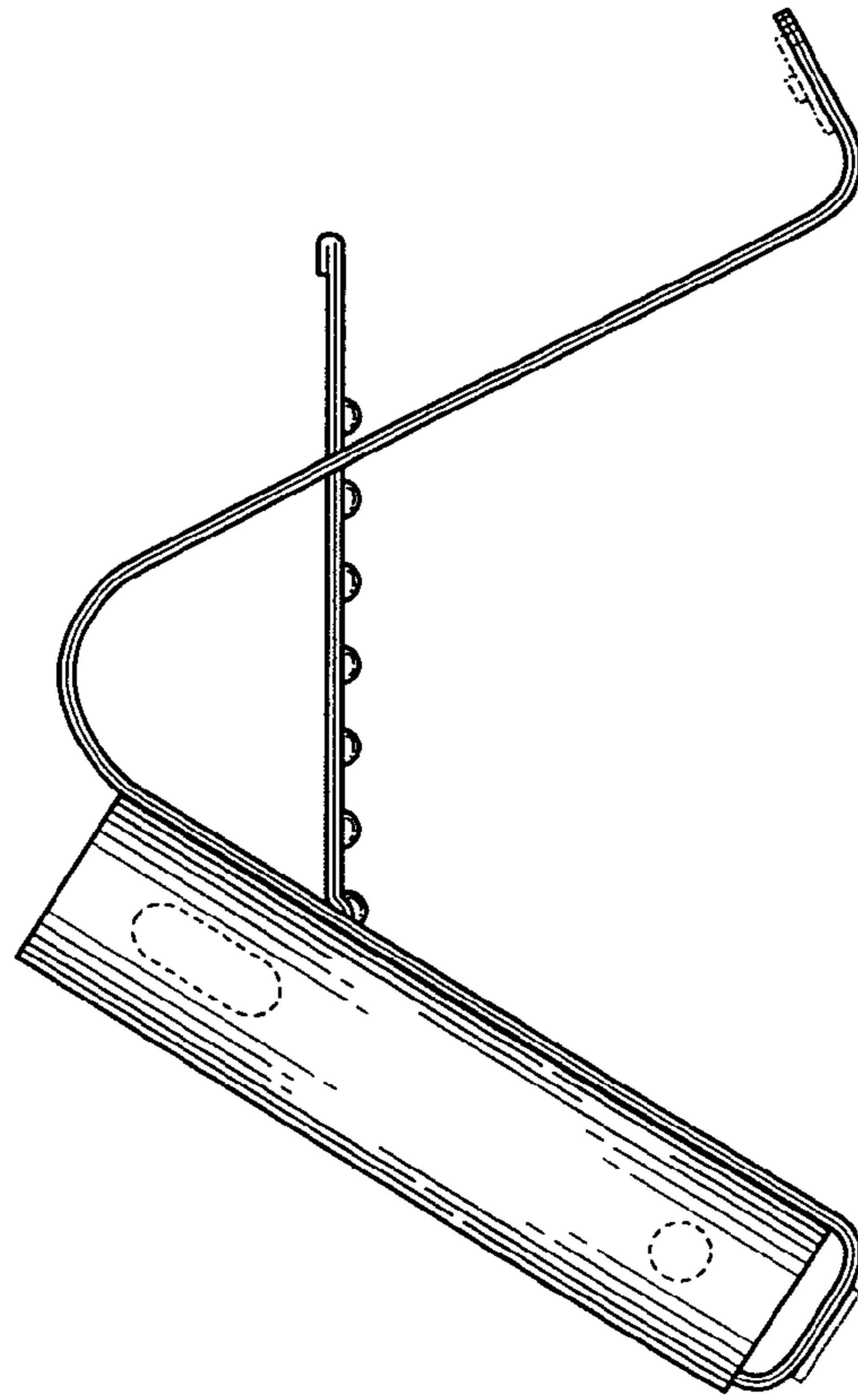


FIG. 11

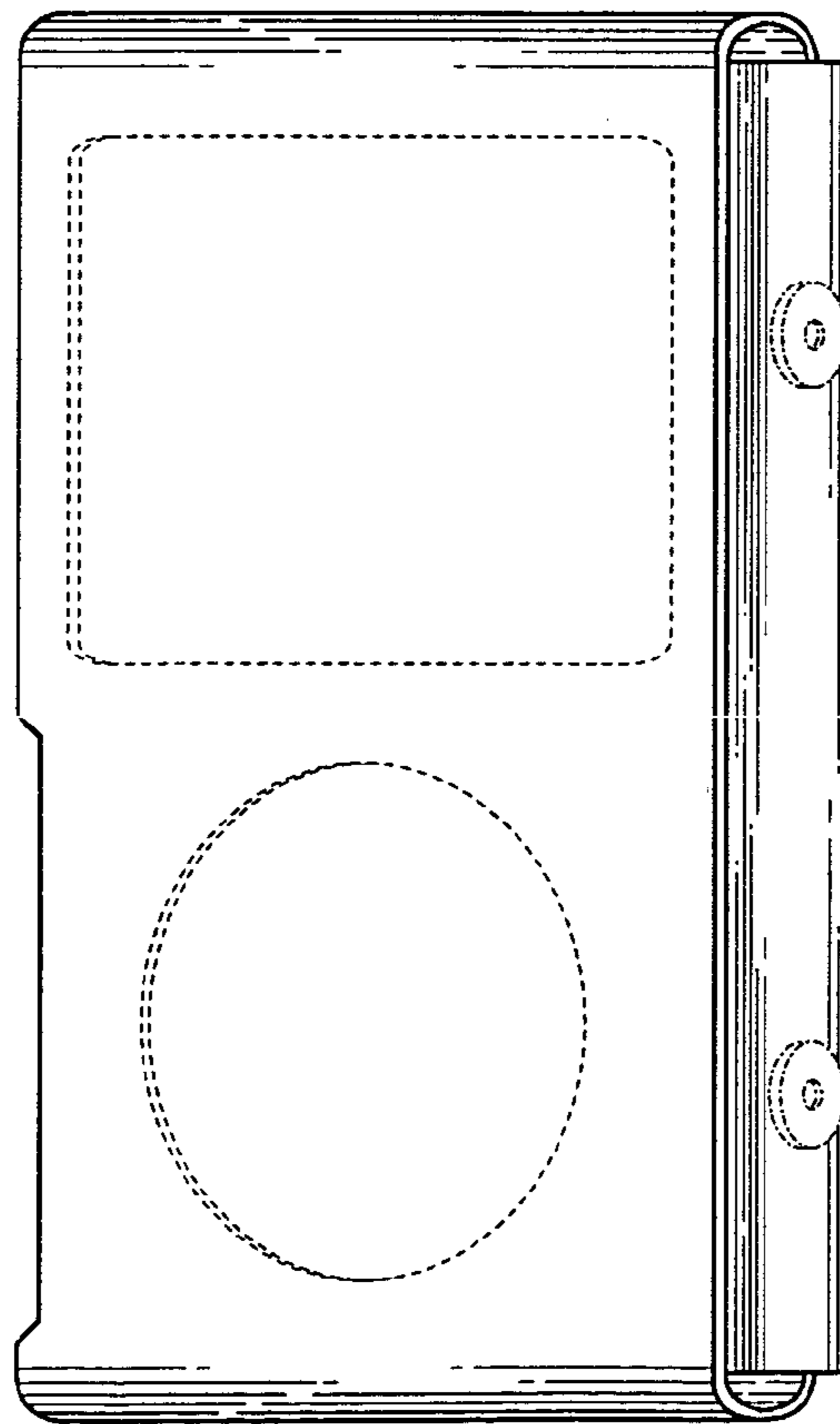


FIG. 10



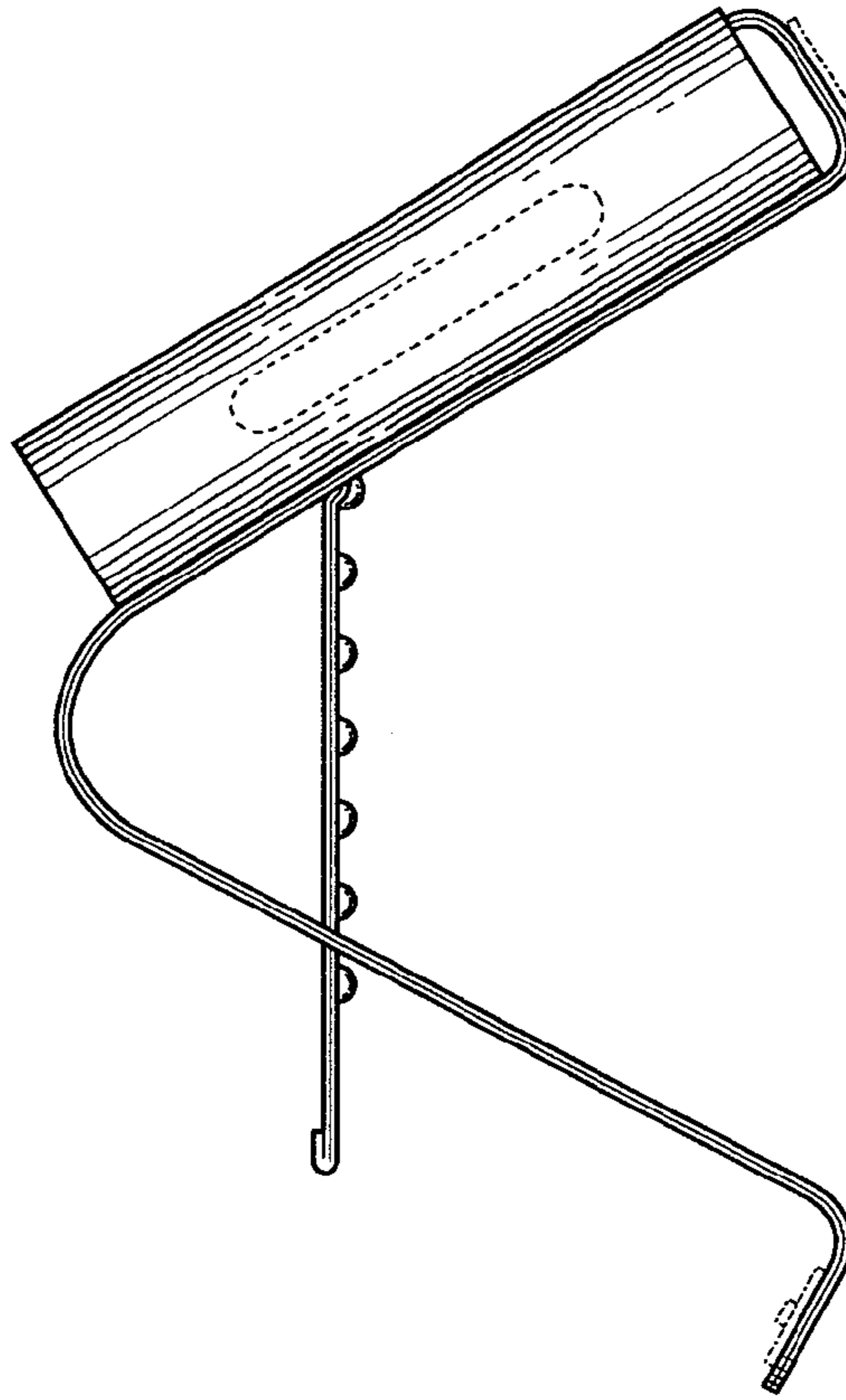


FIG. 12

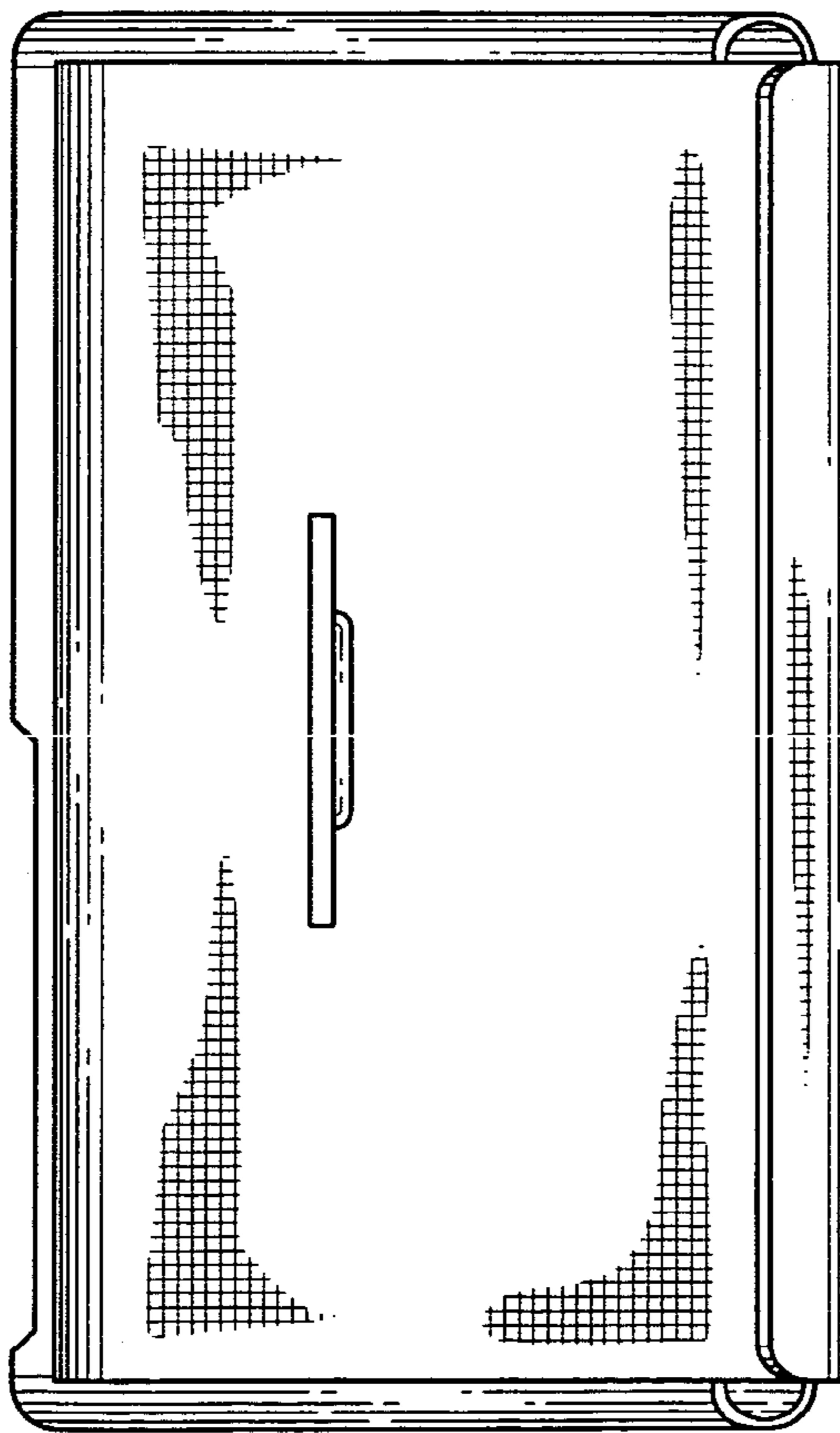


FIG. 13

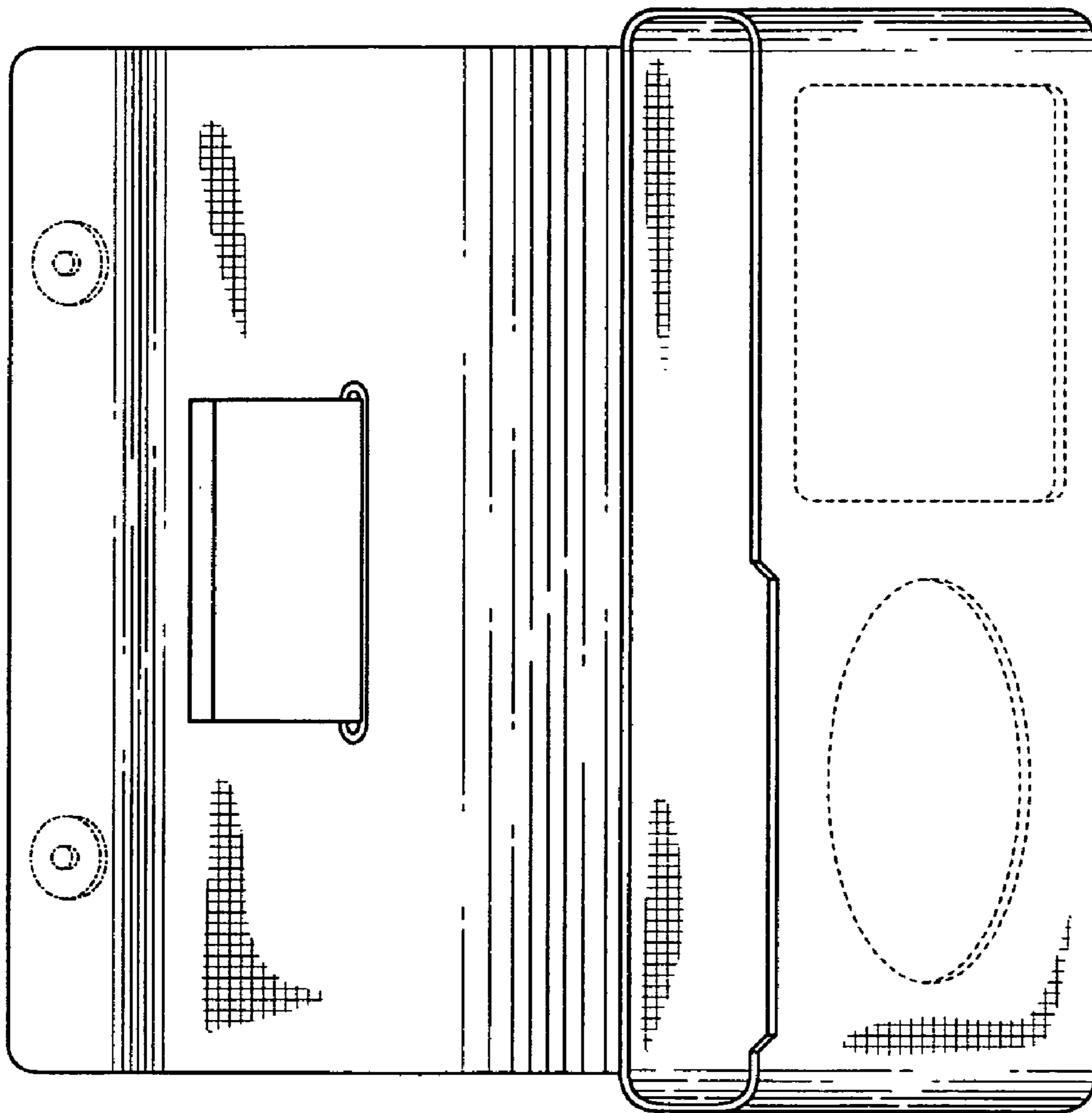


FIG. 14

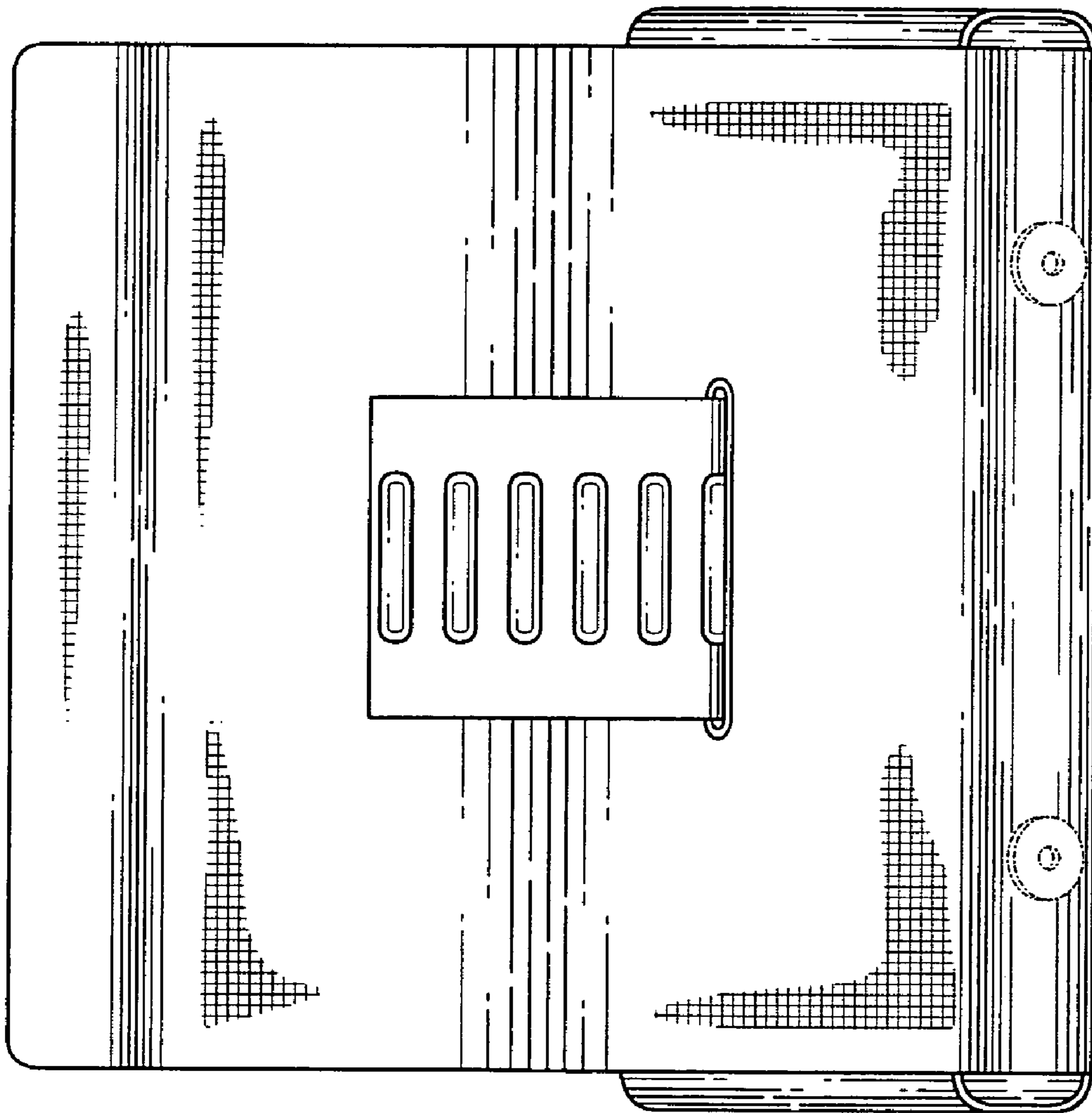


FIG. 15