



US00D557492S

(12) **United States Design Patent**
Lecut

(10) **Patent No.:** **US D557,492 S**

(45) **Date of Patent:** **** Dec. 18, 2007**

(54) **KEY CHAIN**

D278,575 S * 4/1985 Bassani D3/207
D341,940 S * 12/1993 MacDonald D3/207

(75) Inventor: **Anne Lecut**, Paris (FR)

* cited by examiner

(73) Assignee: **Hermes Sellier**, Paris (FR)

Primary Examiner—Ralf Seifert

(**) Term: **14 Years**

(74) *Attorney, Agent, or Firm*—Darby & Darby

(21) Appl. No.: **29/272,461**

(57) **CLAIM**

(22) Filed: **Feb. 7, 2007**

The ornamental design for key chain, as shown and described.

(51) **LOC (8) Cl.** **03-01**

(52) **U.S. Cl.** **D3/211**

(58) **Field of Classification Search** D3/207–212;
206/37.1, 38.1; 150/147; 70/456 R, 456 B,
70/458–459; 24/3 K, 3.6, 100; D11/44,
D11/48

See application file for complete search history.

DESCRIPTION

FIG. 1 is a front perspective view of a key chain showing my new design;

FIG. 2 is a front elevation view thereof;

FIG. 3 is a right side elevation view thereof;

FIG. 4 is a top plan view thereof;

FIG. 5 is a left side elevation view thereof; and,

FIG. 6 is a bottom plan view thereof.

(56) **References Cited**

U.S. PATENT DOCUMENTS

3,753,360 A * 8/1973 Bower 70/39

1 Claim, 1 Drawing Sheet

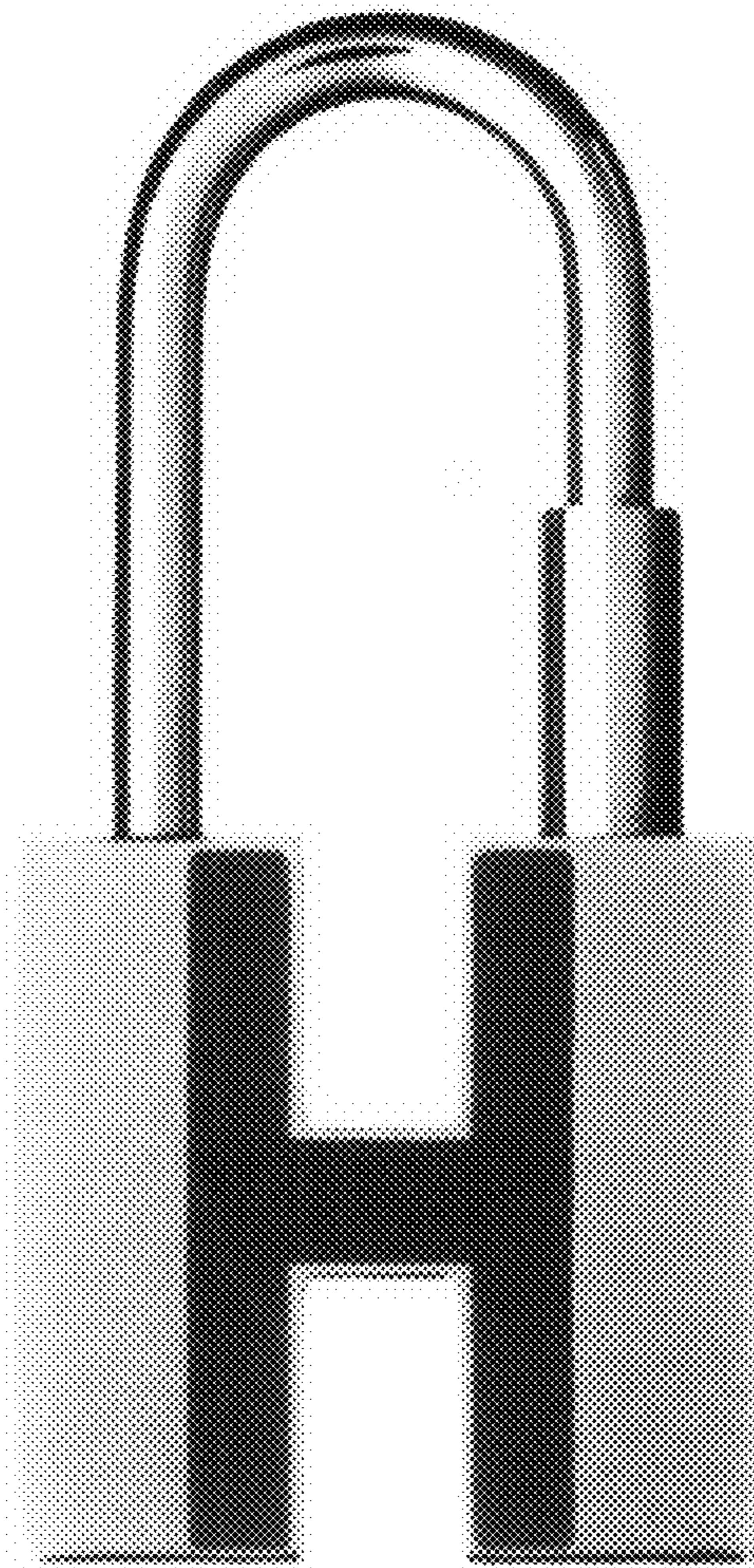


FIG. 1

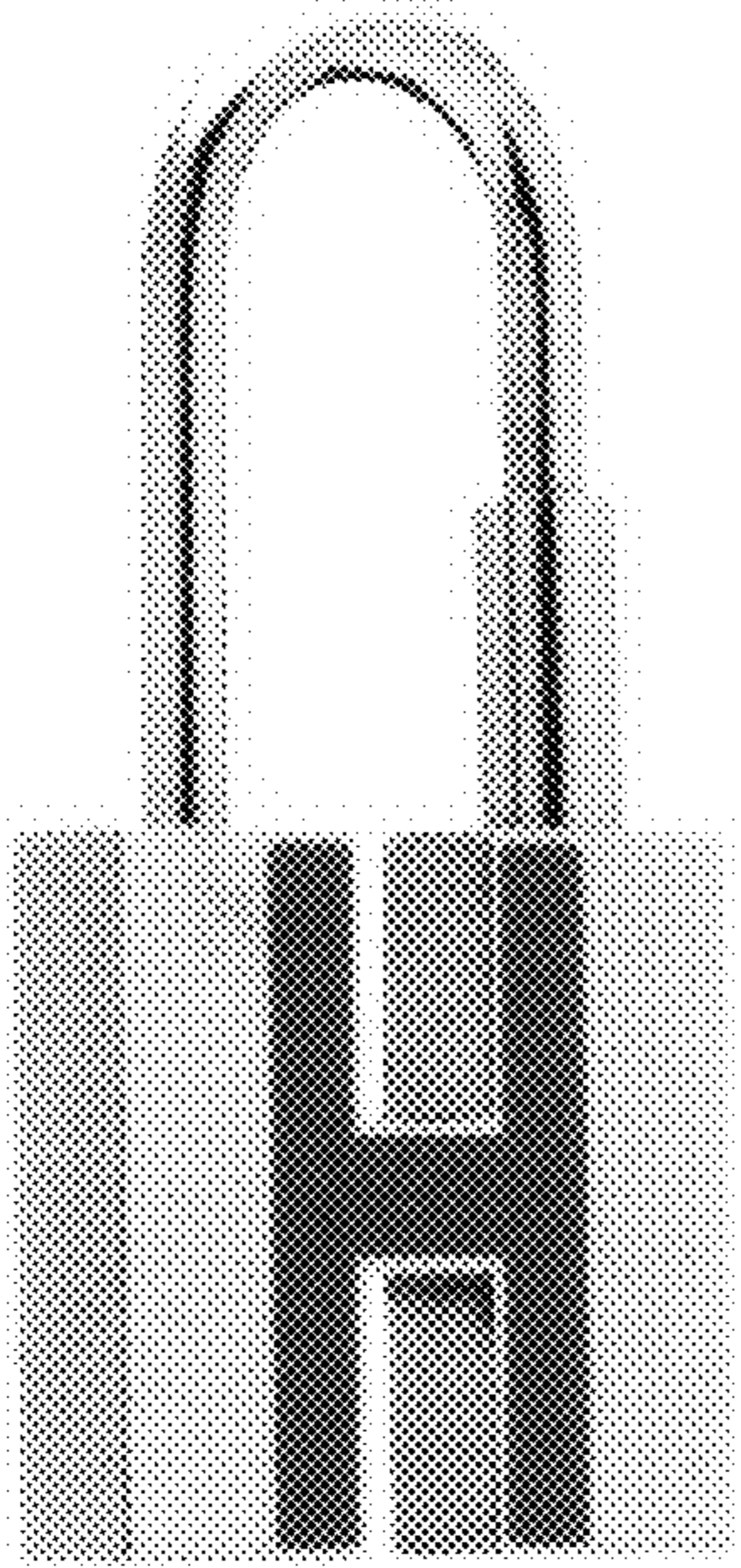


FIG. 2

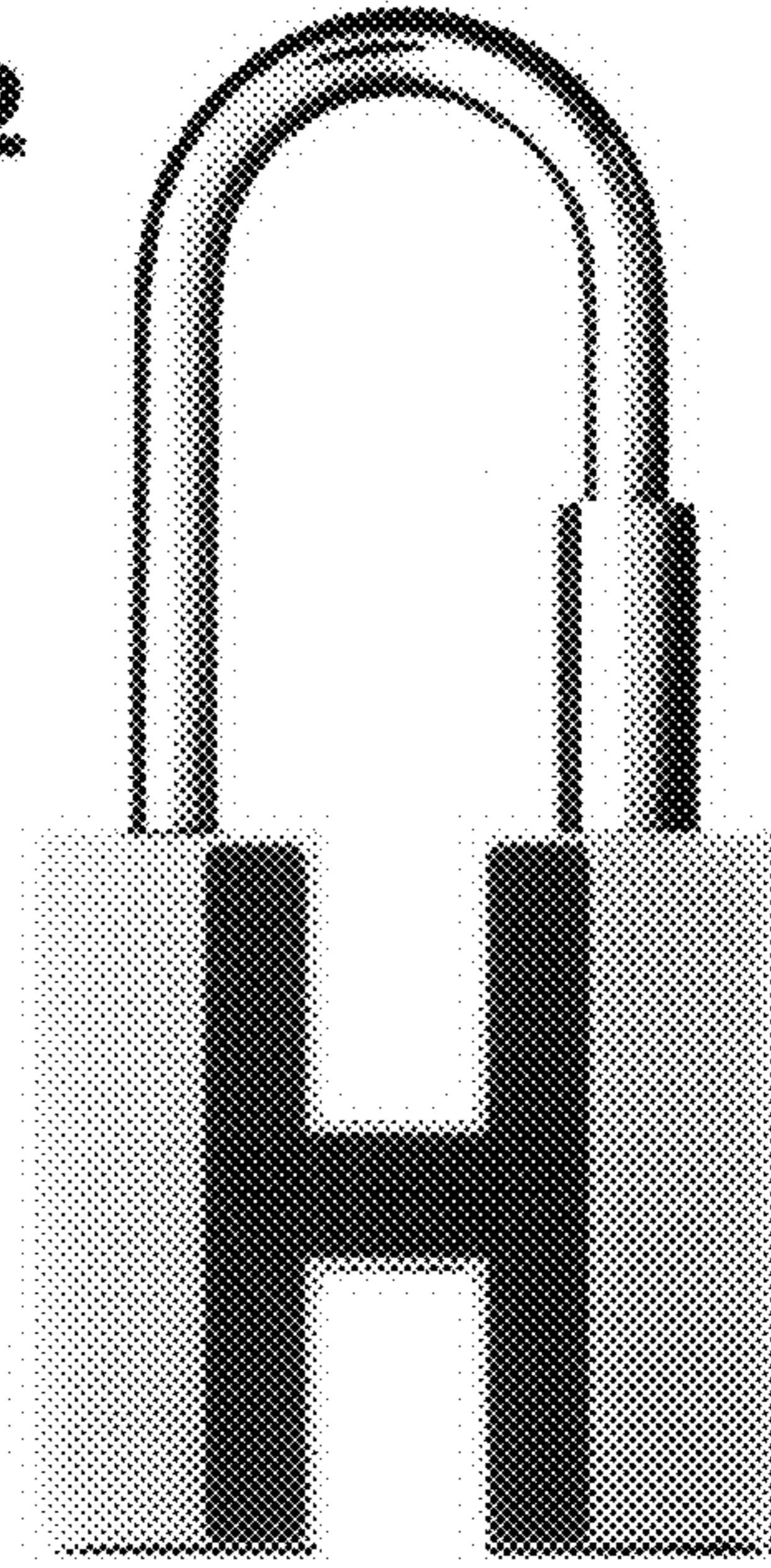


FIG. 3

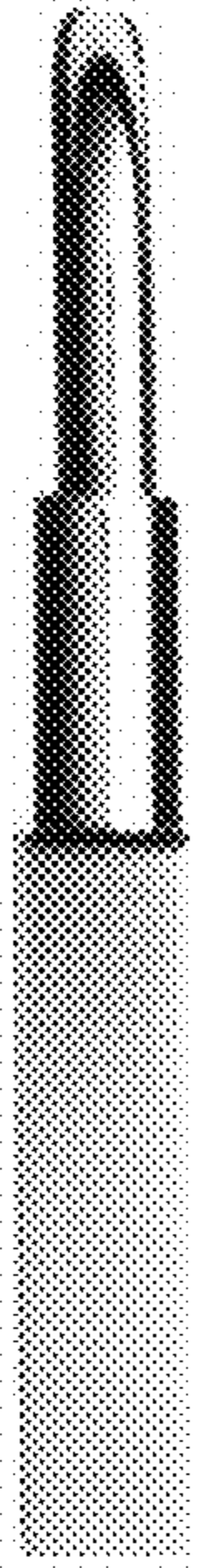


FIG. 5

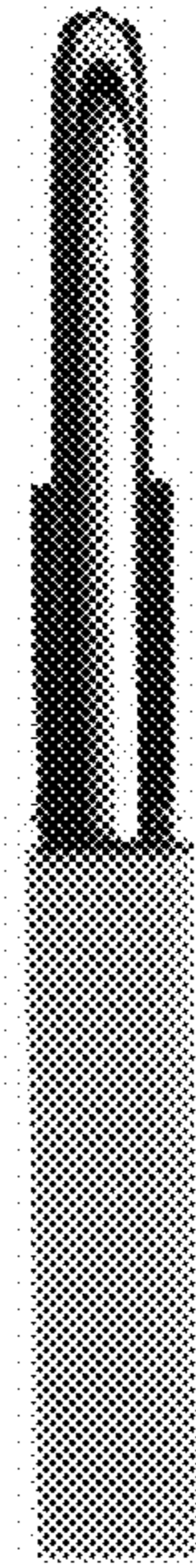
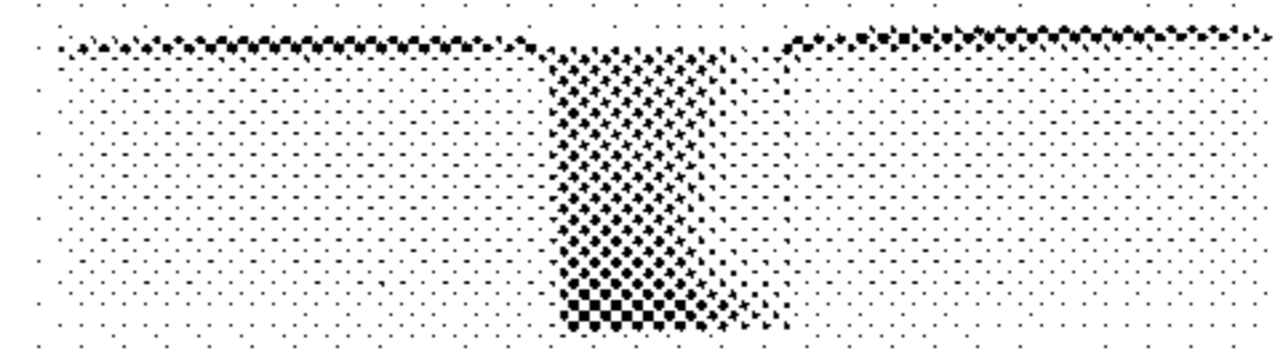


FIG. 4



FIG. 6



UNITED STATES PATENT AND TRADEMARK OFFICE
CERTIFICATE OF CORRECTION

PATENT NO. : Des. 557,492 S
APPLICATION NO. : 29/272461
DATED : December 18, 2007
INVENTOR(S) : Anne Lecut

Page 1 of 1

It is certified that error appears in the above-identified patent and that said Letters Patent is hereby corrected as shown below:

On the Title Page Item (65)

Please insert --000573555, EU, August 7, 2006--.

Signed and Sealed this

Fifteenth Day of April, 2008

A handwritten signature in black ink that reads "Jon W. Dudas". The signature is written in a cursive style with a large, looped initial "J".

JON W. DUDAS

Director of the United States Patent and Trademark Office