



US00D557480S

(12) **United States Design Patent**
Horton

(10) **Patent No.:** **US D557,480 S**
(45) **Date of Patent:** **** Dec. 18, 2007**

(54) **BASEBALL CAP WITH FUR**

(76) Inventor: **Anthony James Horton**, 215 Long Trail La., Rockville, MD (US) 20850

(**) Term: **14 Years**

(21) Appl. No.: **29/277,473**

(22) Filed: **Feb. 27, 2007**

(51) **LOC (8) Cl.** **02-03**

(52) **U.S. Cl.** **D2/882**

(58) **Field of Classification Search** D2/865, D2/866, 871, 872, 873, 875, 876, 879, 882, D2/884, 893; 2/171, 171.1, 175.1, 183, 184, 2/195.1-195.4, 200.1, 209.11-209.13, 209.3, 2/209.5, 209.7, 65; 362/106

See application file for complete search history.

(56) **References Cited**

U.S. PATENT DOCUMENTS

250,262 A 11/1881 Koch et al.

(Continued)

FOREIGN PATENT DOCUMENTS

EM 000239793-0006 * 1/2005

OTHER PUBLICATIONS

The Kangol Ventair Space Cap, as shown on www.hartfordyork.com, dated Jan. 2006 (1 page).*

Primary Examiner—Elizabeth A. Albert

Assistant Examiner—Karen E Eldridge Powers

(74) *Attorney, Agent, or Firm*—Edell, Shapiro & Finnan, LLC

(57) **CLAIM**

The ornamental design for a baseball cap with fur, as shown and described.

DESCRIPTION

FIG. 1 is a left side view in elevation of a baseball cap with fur according to an embodiment of the present invention;

FIG. 2 is a right side view in elevation of the baseball cap with fur shown in FIG. 1;

FIG. 3 is a front view in elevation of the baseball cap with fur shown in FIG. 1;

FIG. 4 is a rear view in elevation of the baseball cap with fur shown in FIG. 1;

FIG. 5 is a top view in plan of the baseball cap with fur shown in FIG. 1; and

FIG. 6 is a bottom view in plan of the baseball cap with fur shown in FIG. 1.

FIG. 7 is a left side view in elevation of a baseball cap with fur according to another embodiment of the present invention;

FIG. 8 is a right side view in elevation of the baseball cap with fur shown in FIG. 7;

FIG. 9 is a front view in elevation of the baseball cap with fur shown in FIG. 7;

FIG. 10 is a rear view in elevation of the baseball cap with fur shown in FIG. 7;

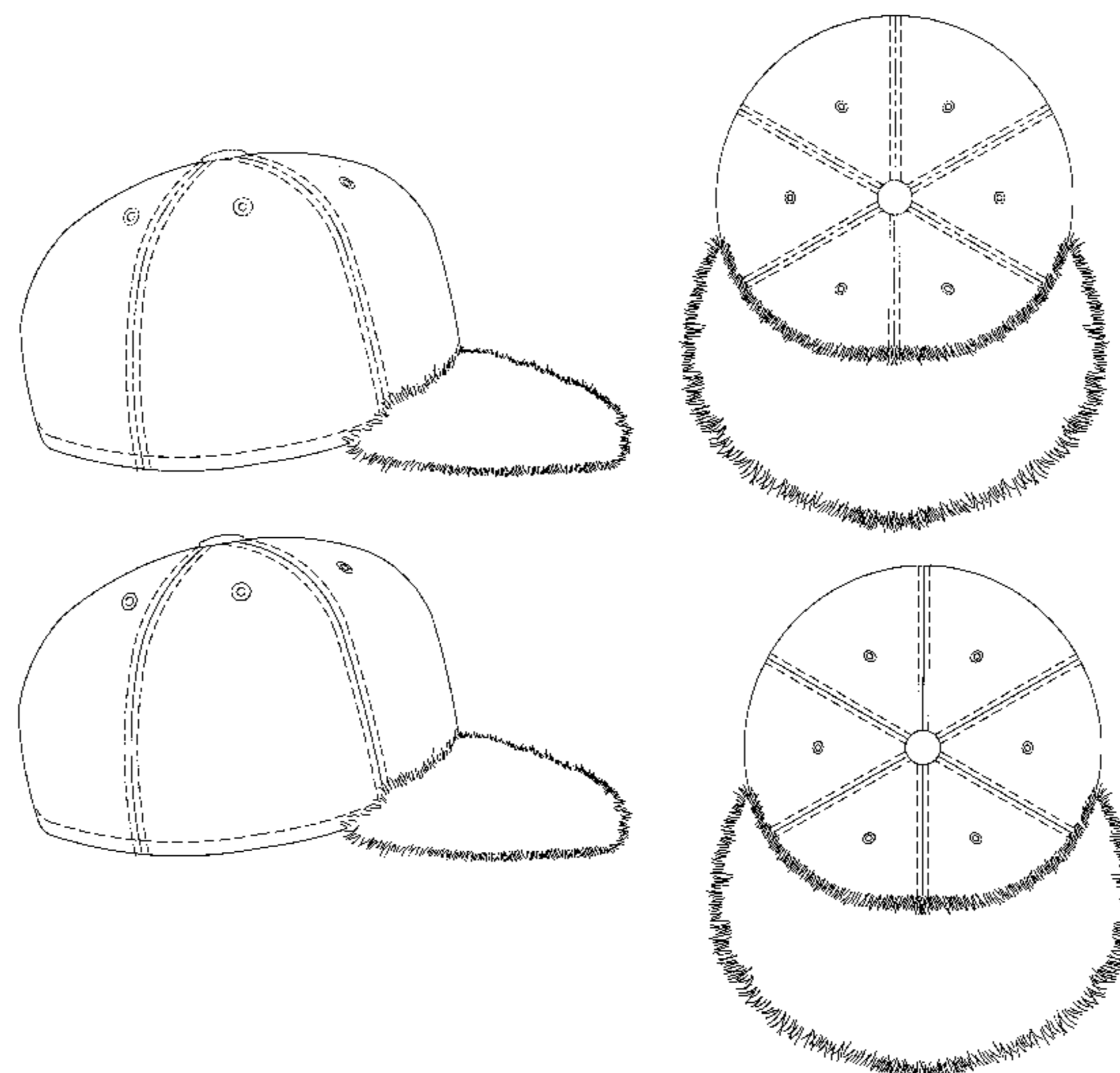
FIG. 11 is a top view in plan of the baseball cap with fur shown in FIG. 7; and,

FIG. 12 is a bottom view in plan of the baseball cap with fur shown in FIG. 7.

The design consists partly of fur. Inconsistencies between the way the fur appears in the different views are understood to be caused by the variations in the organic material of the fur, and by the different viewpoints from which the visor with fur is shown. The minor variations from one view to another do not render the designs patentably distinct, but are due to the organic nature of the fur.

The evenly-spaced broken lines represent stitching. The long-and-two-short-segmented broken lines are for the purpose of illustrating environmental matter and form no part of the claimed design.

1 Claim, 12 Drawing Sheets



US D557,480 S

Page 2

U.S. PATENT DOCUMENTS

1,332,883	A	3/1920	Breslaw				
2,464,331	A *	3/1949	Mason	2/171		
3,276,039	A	10/1966	Lish				
D237,758	S *	11/1975	Huffman	D2/876		
D251,336	S *	3/1979	Getgey	D2/876		
4,268,918	A *	5/1981	Lee	2/172		
D293,733	S *	1/1988	Leinoff	D2/501		
D294,877	S	3/1988	Burley				
5,581,814	A	12/1996	Ettinger				
D391,389	S	3/1998	Ramirez, Jr.				
5,815,831	A *	10/1998	De Wan	2/10		
D415,337	S *	10/1999	Watts	D2/884		
D419,281	S	1/2000	Croft				
6,035,446	A	3/2000	Johnson				
6,199,213	B1 *	3/2001	Whang	2/181		
6,382,218	B1 *	5/2002	Cheng	132/275		
D459,059	S *	6/2002	Park	D2/876		
6,408,443	B1 *	6/2002	Park	2/195.1		
6,766,538	B2 *	7/2004	Park	2/175.4		
6,976,612	B1	12/2005	Miller				
D518,626	S	4/2006	Peterson				
D521,713	S	5/2006	Cho				
D527,870	S *	9/2006	Kim	D2/876		
D545,030	S *	6/2007	Fukunaga	D2/882		
2003/0221234	A1 *	12/2003	Wang	2/12		

* cited by examiner

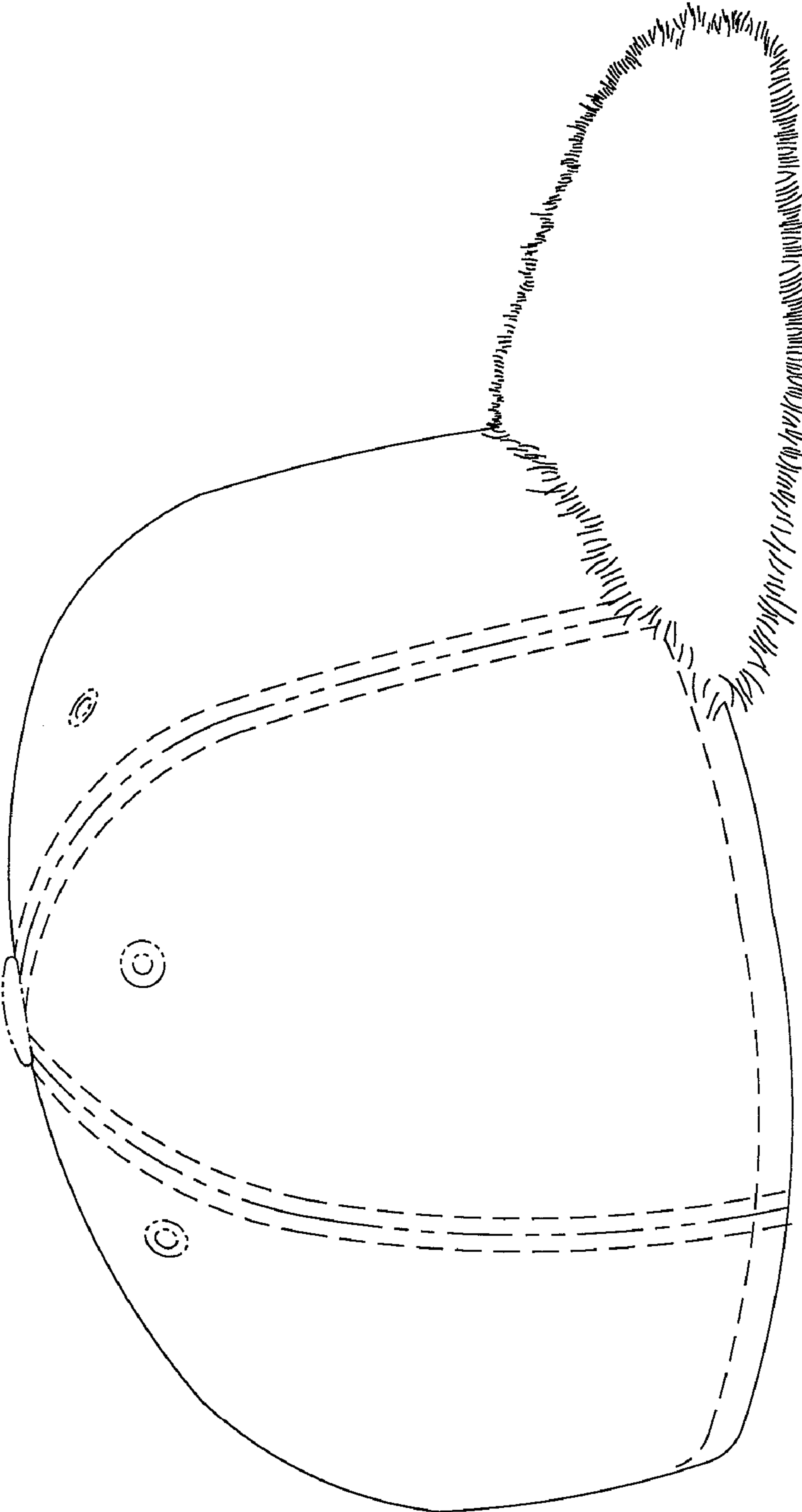


FIG.1

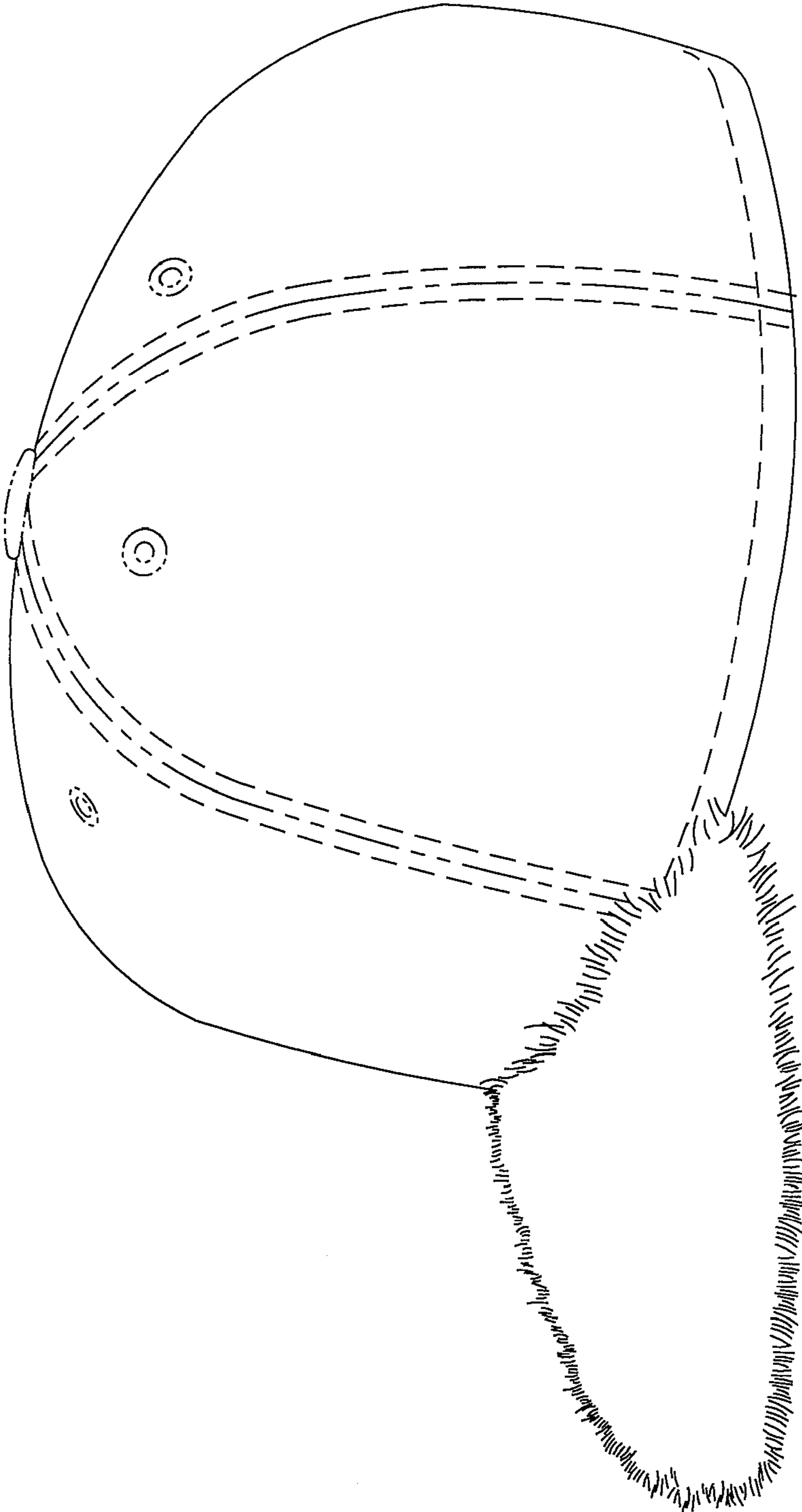


FIG.2

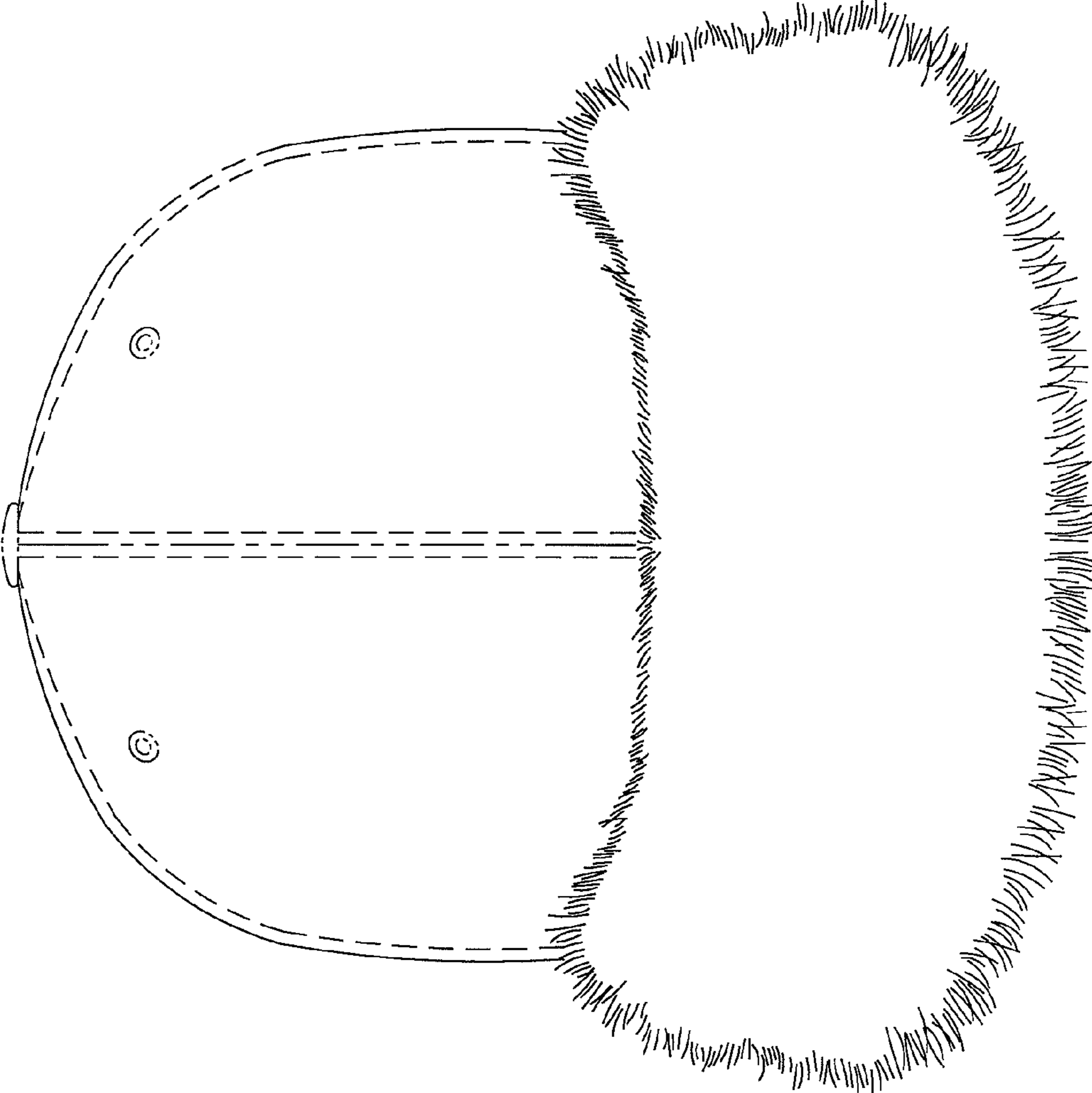


FIG.3

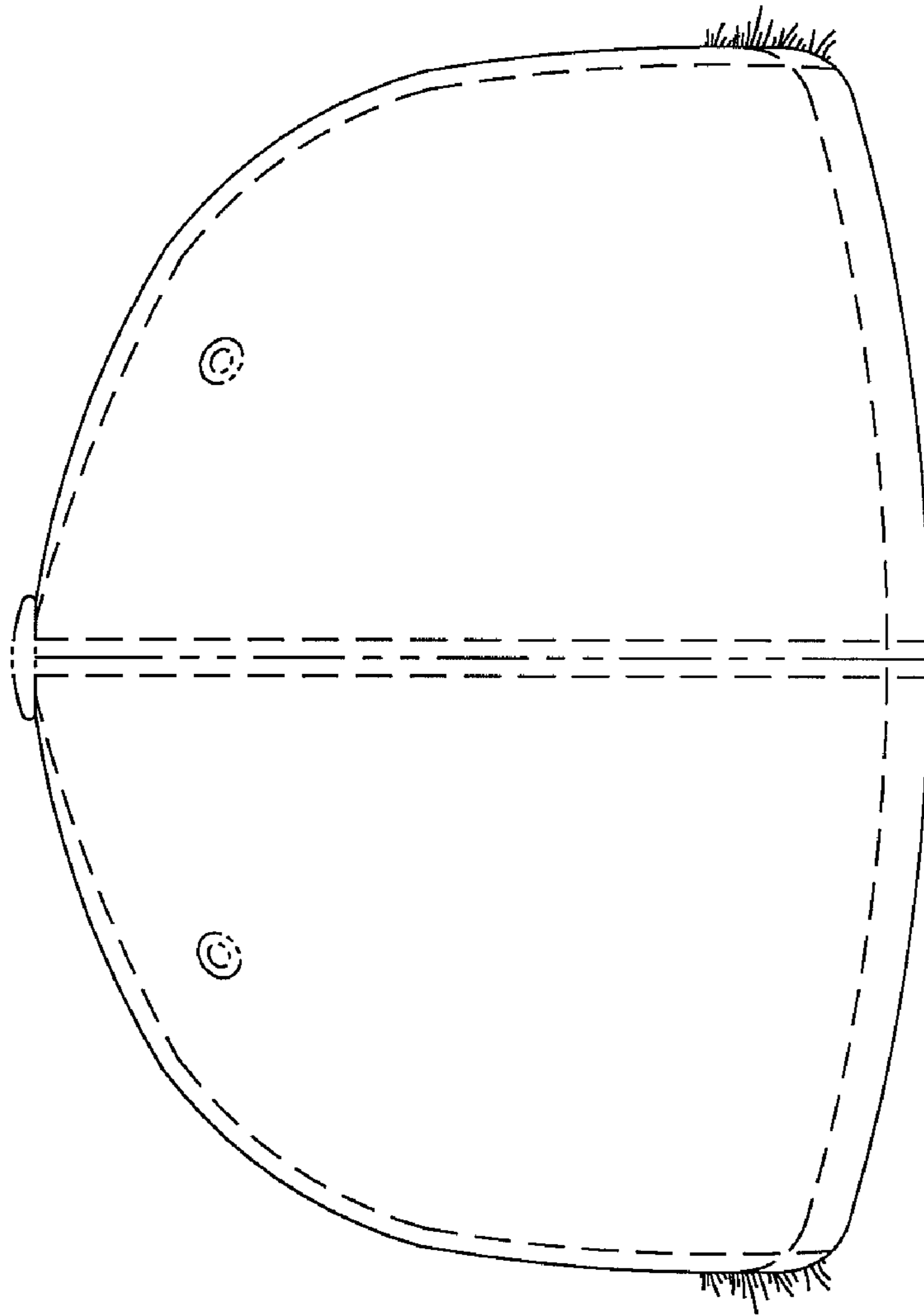


FIG.4

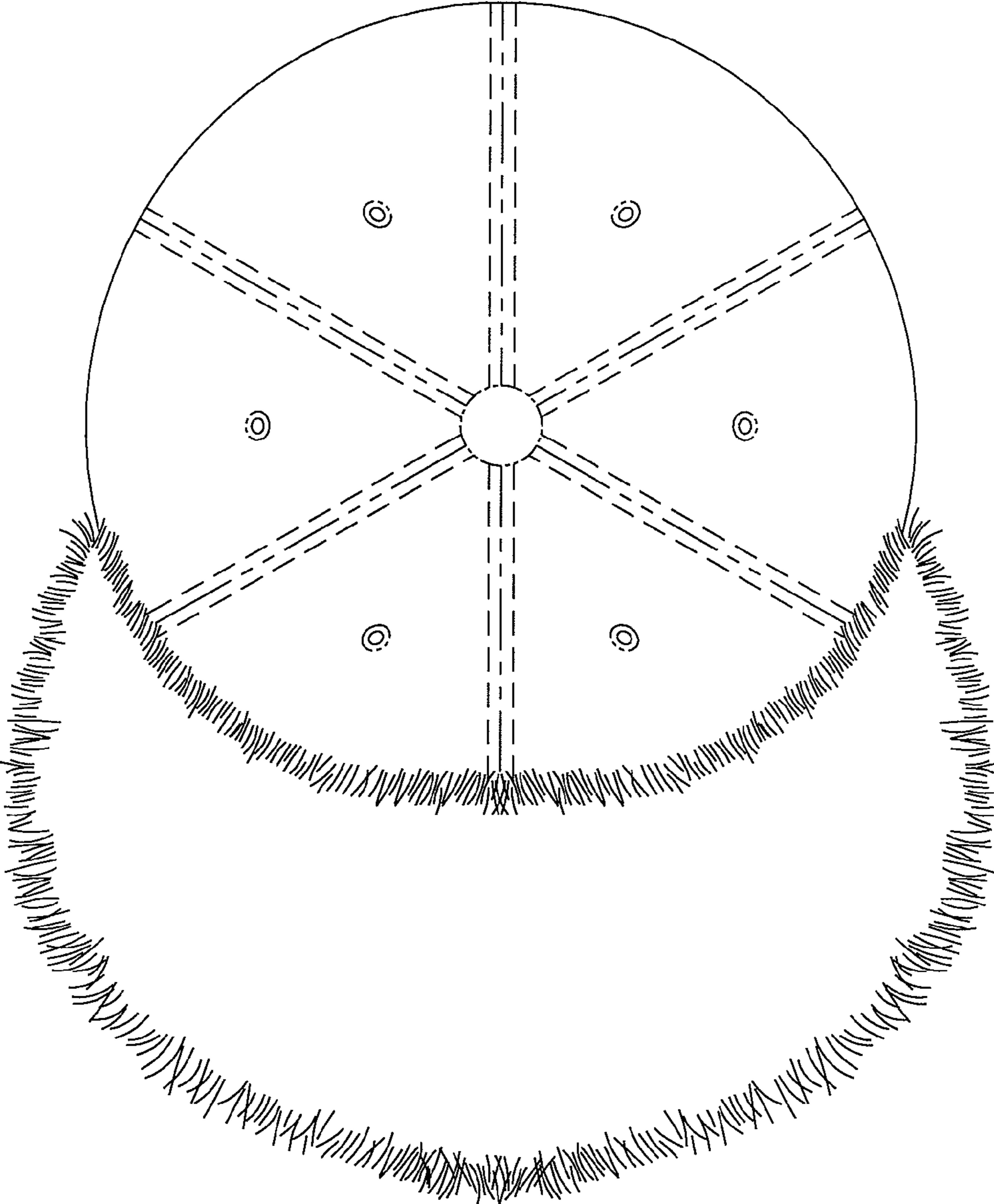


FIG.5

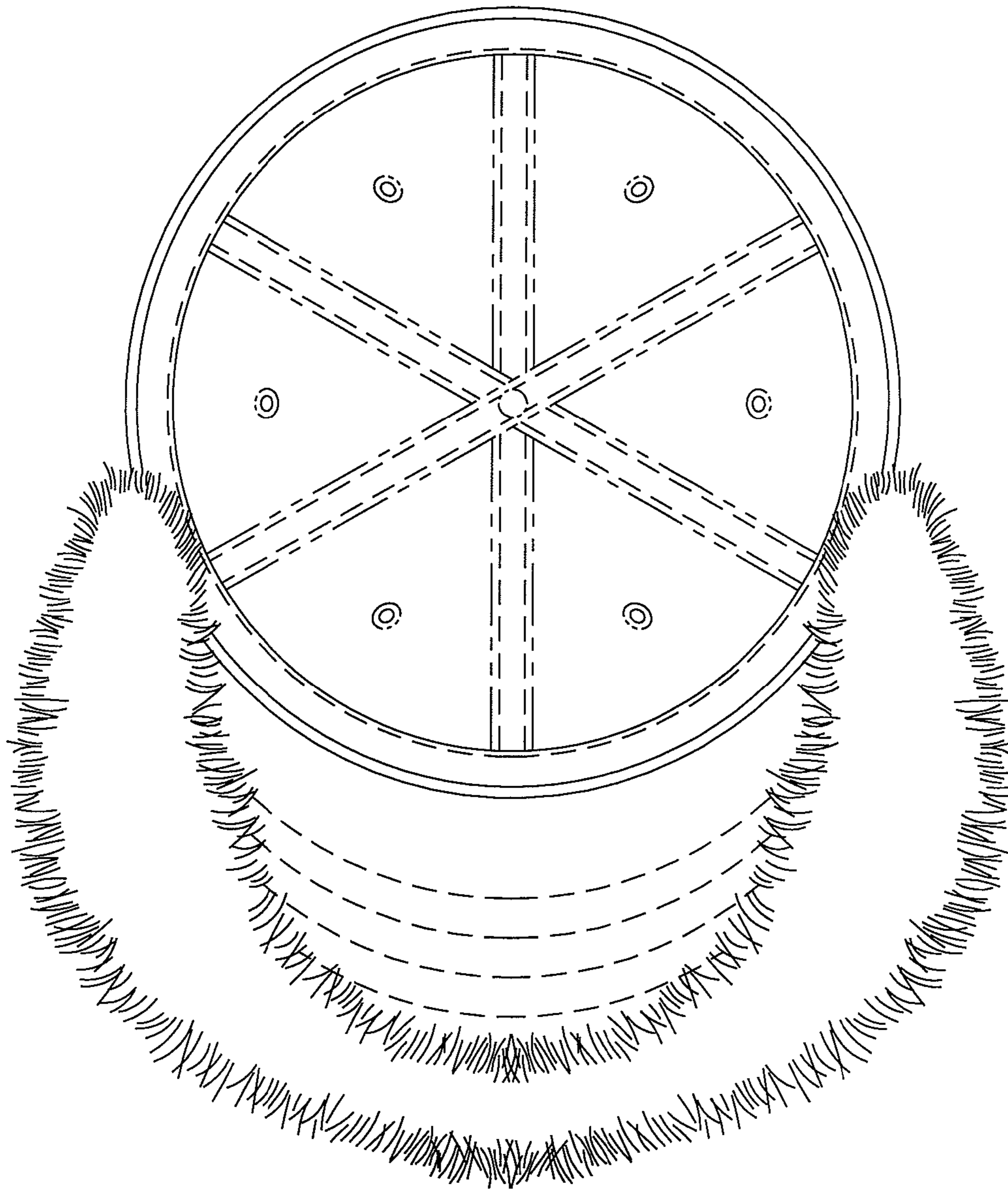


FIG.6

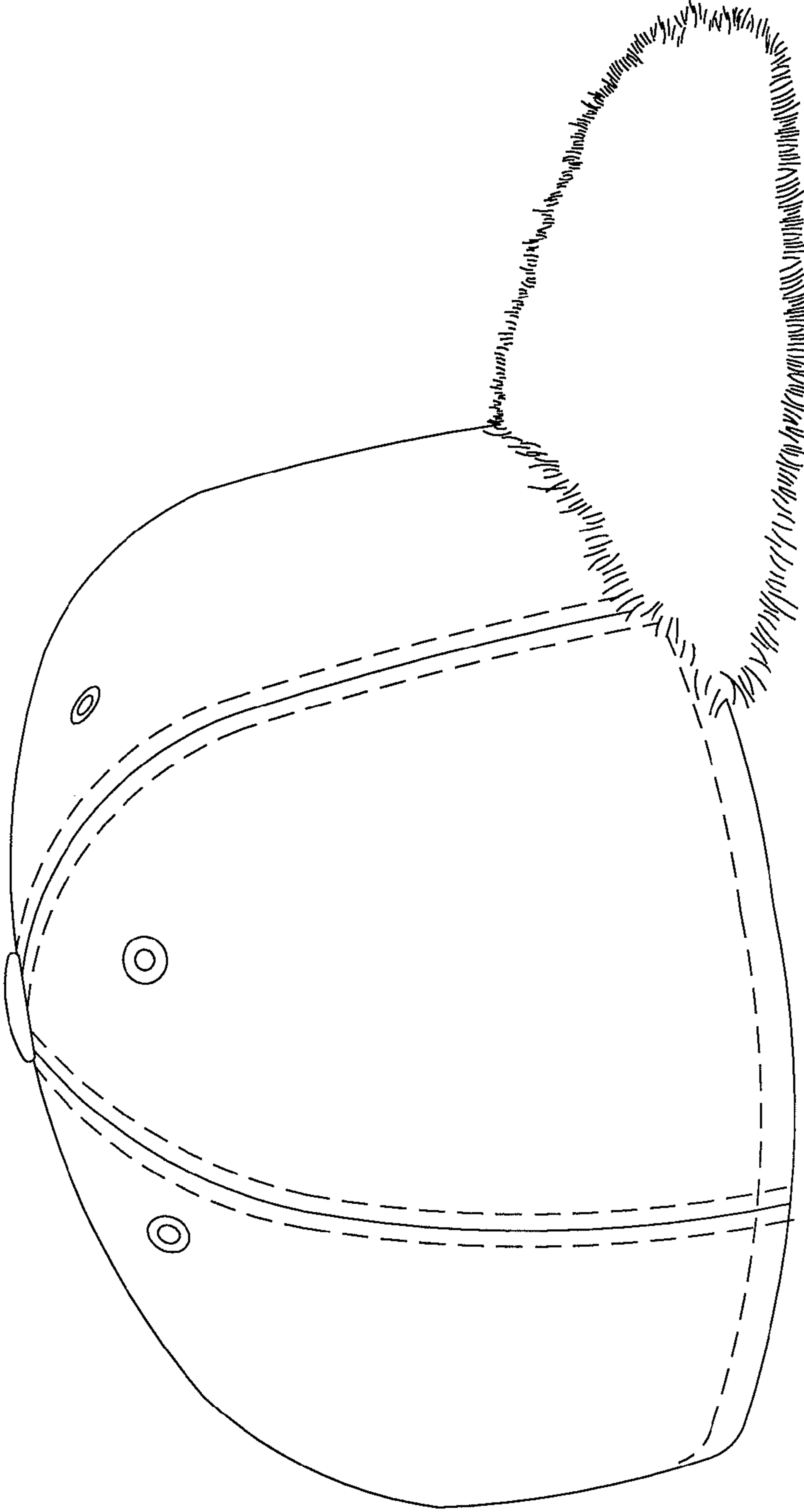


FIG.7

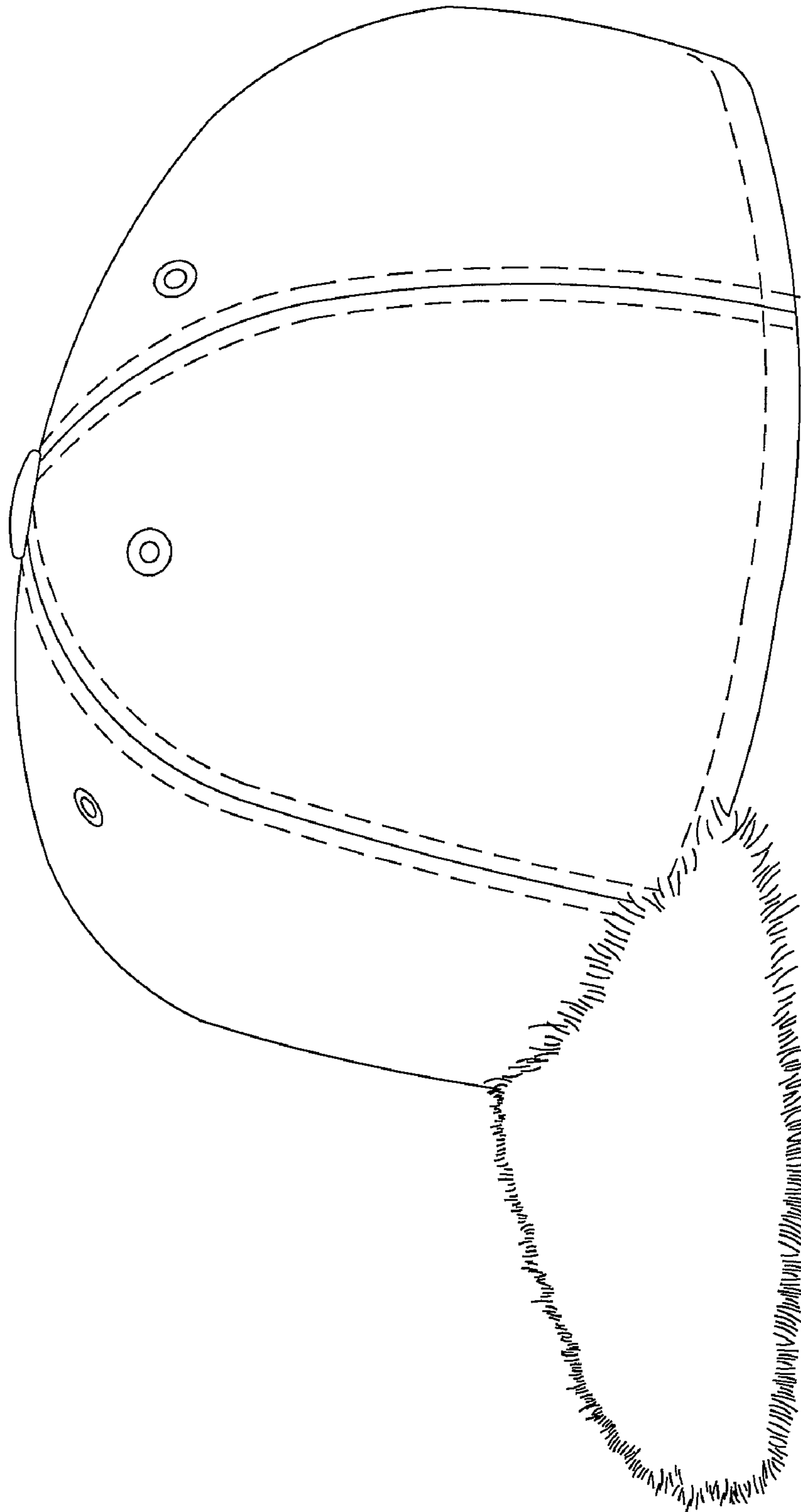


FIG.8

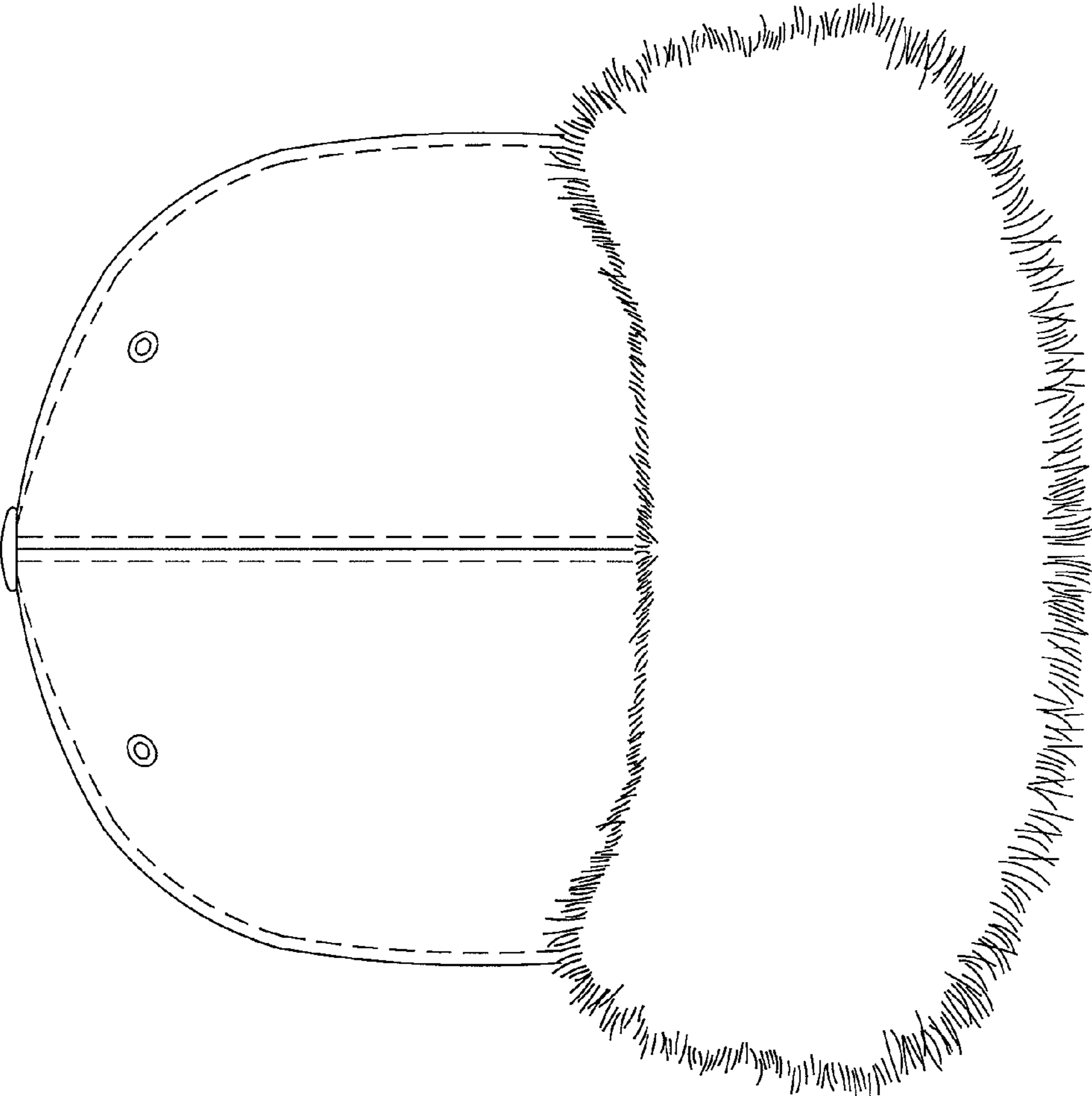


FIG.9

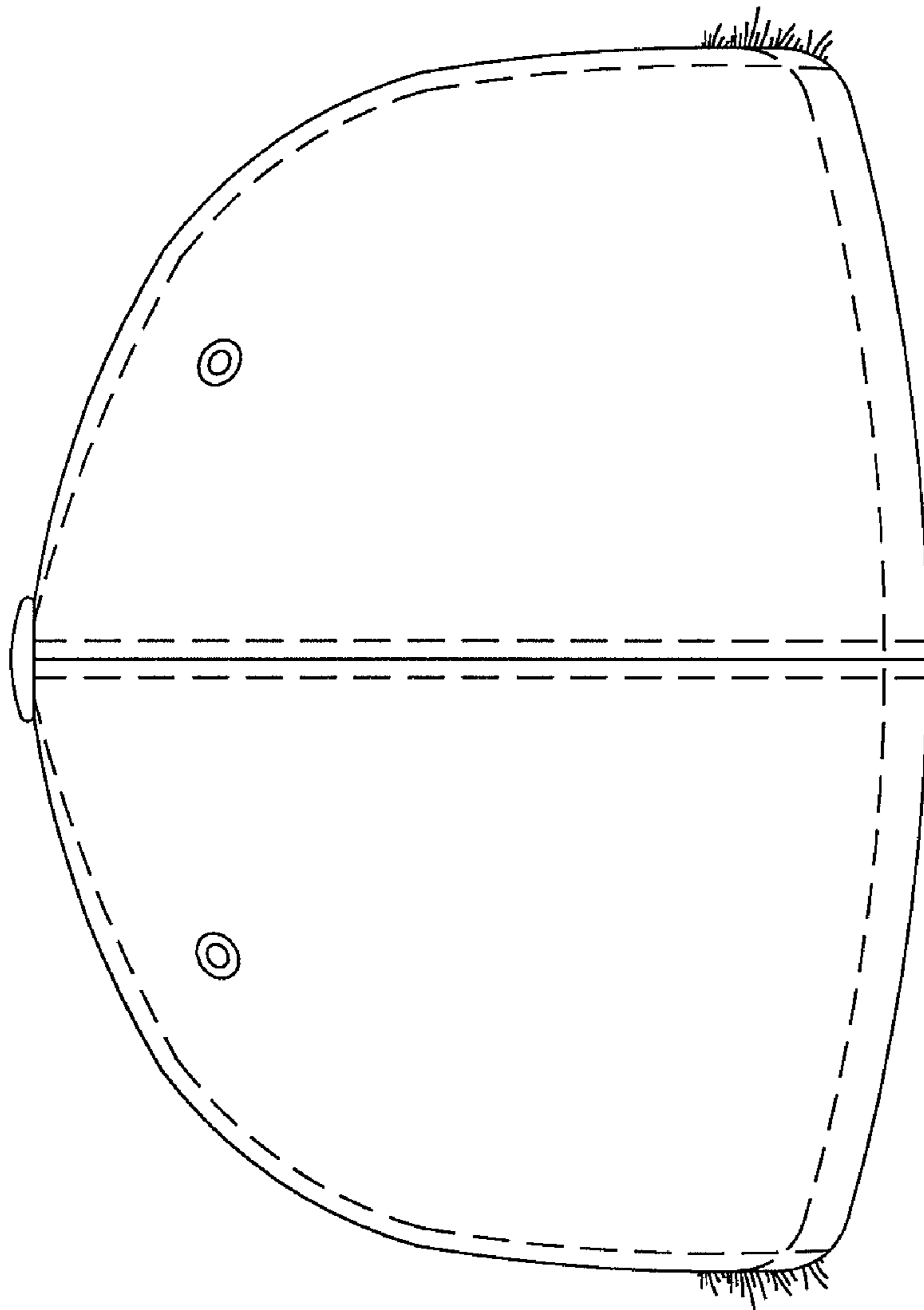


FIG.10

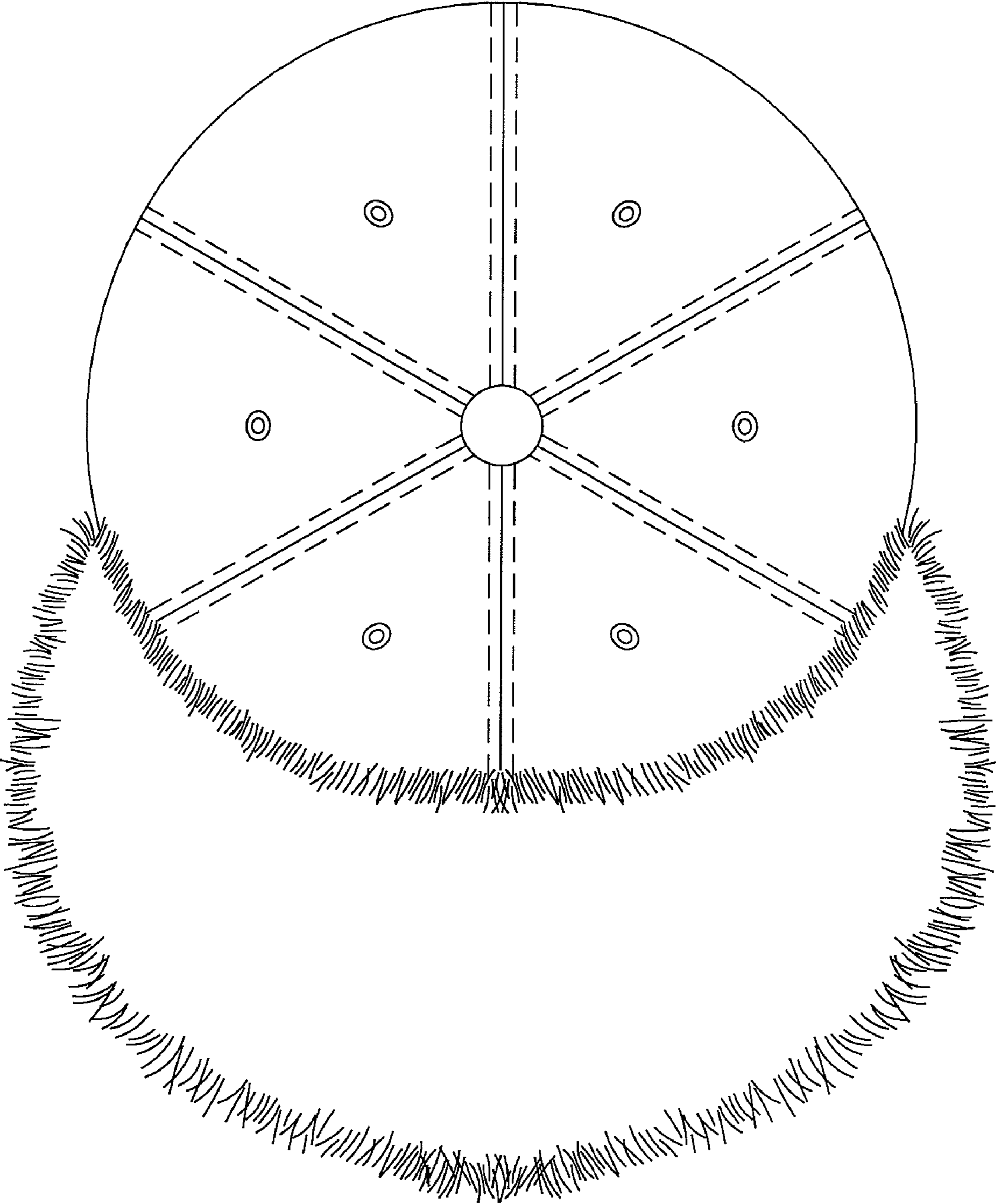


FIG. II

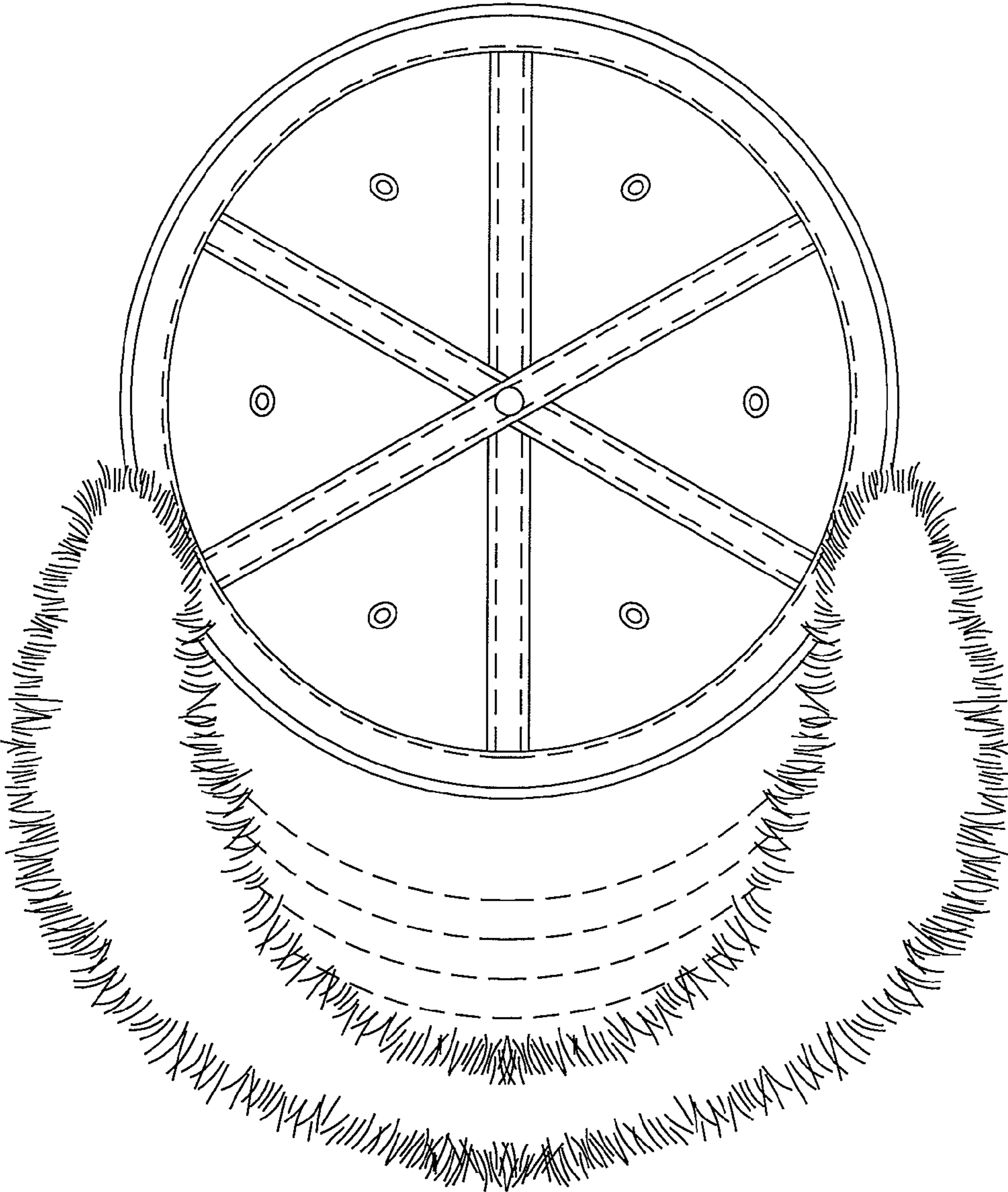


FIG.12