



US00D557479S

(12) **United States Design Patent**
McGrath

(10) **Patent No.:** **US D557,479 S**

(45) **Date of Patent:** **** Dec. 18, 2007**

(54) **CAP**

(76) **Inventor:** **Jon J. McGrath**, 3235 W. White Oak
La., Highlands Ranch, CO (US) 80129

(**) **Term:** **14 Years**

(21) **Appl. No.:** **29/275,708**

(22) **Filed:** **Jan. 4, 2007**

(51) **LOC (8) Cl.** **02-03**

(52) **U.S. Cl.** **D2/882**

(58) **Field of Classification Search** D2/865-866,
D2/871-873, 875-876, 879, 882, 884, 893,
D2/891; 2/65, 171, 171.1, 175.1, 183, 184,
2/195.1-4, 200.1, 209.11-13, 209.3, 209.5,
2/209.7; 362/106

See application file for complete search history.

(56) **References Cited**

U.S. PATENT DOCUMENTS

1,614,231	A	1/1927	Cosgrove	
1,624,727	A	4/1927	Goldberg	
1,704,576	A	3/1929	Pellgrino	
1,996,254	A	4/1935	Parlow	
2,218,947	A *	10/1940	Brunzell	2/425
506,725	A	10/1954	Hoeflich	
2,864,383	A	12/1958	Jacks et al.	
3,041,628	A	7/1962	Fish et al.	
4,839,924	A *	6/1989	Laurence Harold A.	2/195.1
4,991,237	A	2/1991	Dwyer	
4,998,544	A	3/1991	Obergfell	
5,119,514	A *	6/1992	Woehl	2/172
5,170,509	A	12/1992	Leopold	
D338,544	S *	8/1993	Scheinbaum	D2/882
5,321,854	A	6/1994	Kronenberger	
D384,793	S *	10/1997	Brown	D2/879
D396,945	S *	8/1998	Glass	D2/893
5,884,334	A *	3/1999	Collette et al.	2/195.1
5,901,371	A *	5/1999	Lee	2/10

6,240,566	B1	6/2001	Scantlin	
D444,292	S *	7/2001	Wang	D2/882
D455,538	S *	4/2002	Rhoden	D2/882
6,421,838	B1	7/2002	Frank	
D503,261	S *	3/2005	Pedersen	D2/882
D517,781	S *	3/2006	Ortley et al.	D2/882
7,024,702	B2	4/2006	Kronenberger	
D535,460	S	1/2007	Ortley et al.	

* cited by examiner

Primary Examiner—Elizabeth A. Albert
Assistant Examiner—Karen E Eldridge Powers
(74) *Attorney, Agent, or Firm*—Sheridan Ross P.C.

(57) **CLAIM**

The ornamental design for a cap, as shown and described.

DESCRIPTION

FIG. 1 is a perspective view of a cap;
FIG. 2 is a left elevation view of the design illustrated in FIG. 1;
FIG. 3 is a top elevation view of the design illustrated in FIG. 1;
FIG. 4 is a right elevation view of the design illustrated in FIG. 1;
FIG. 5 is a bottom plan view of the design illustrated in FIG. 1;
FIG. 6 is a front elevation view of the design illustrated in FIG. 1; and,
FIG. 7 is a rear elevation view of the design illustrated in FIG. 1.

The crosshatched pattern, although shown intermittently, is understood to be distributed uniformly over the surfaces of the claimed design and represents fabric.

1 Claim, 2 Drawing Sheets

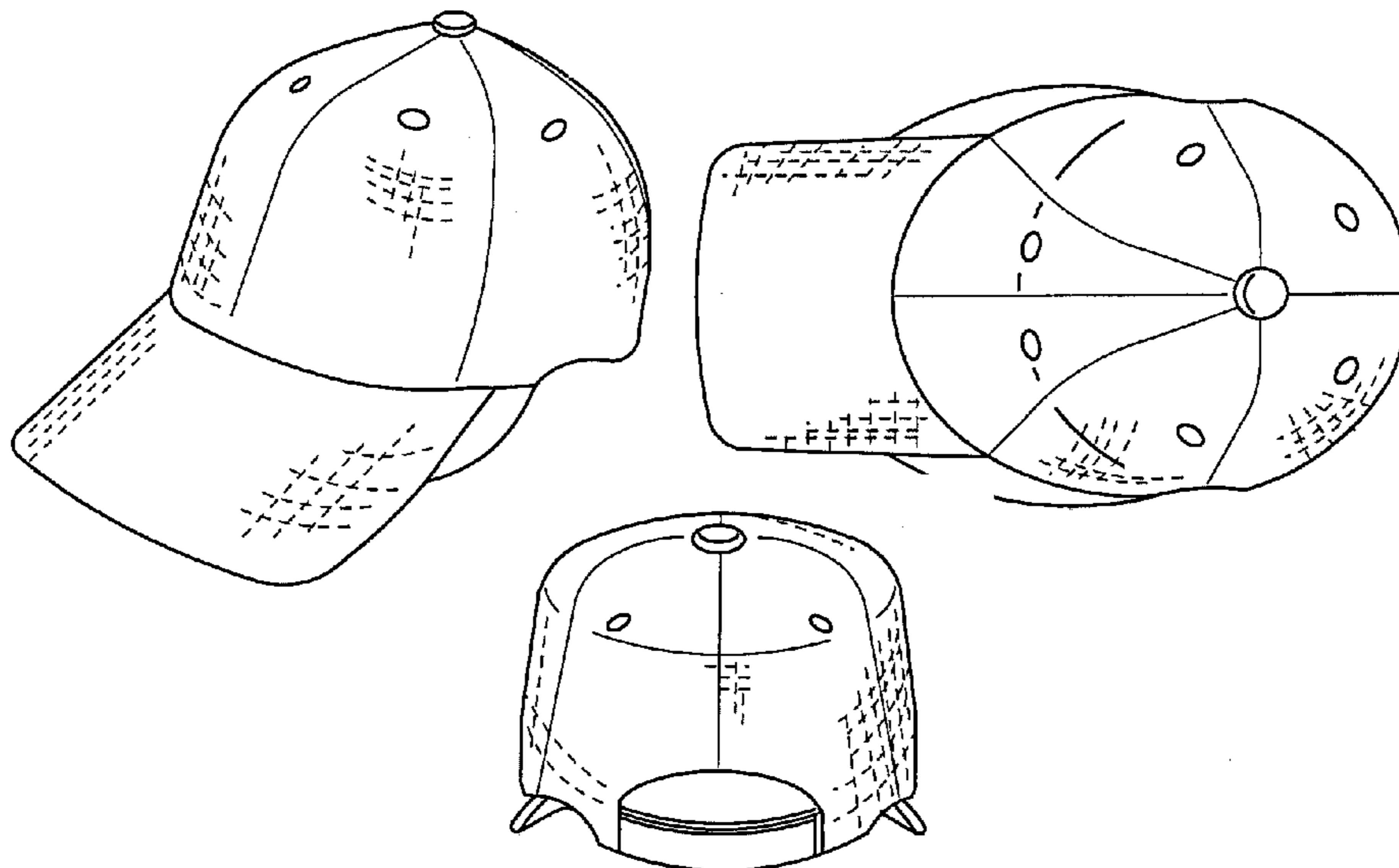


Fig. 1

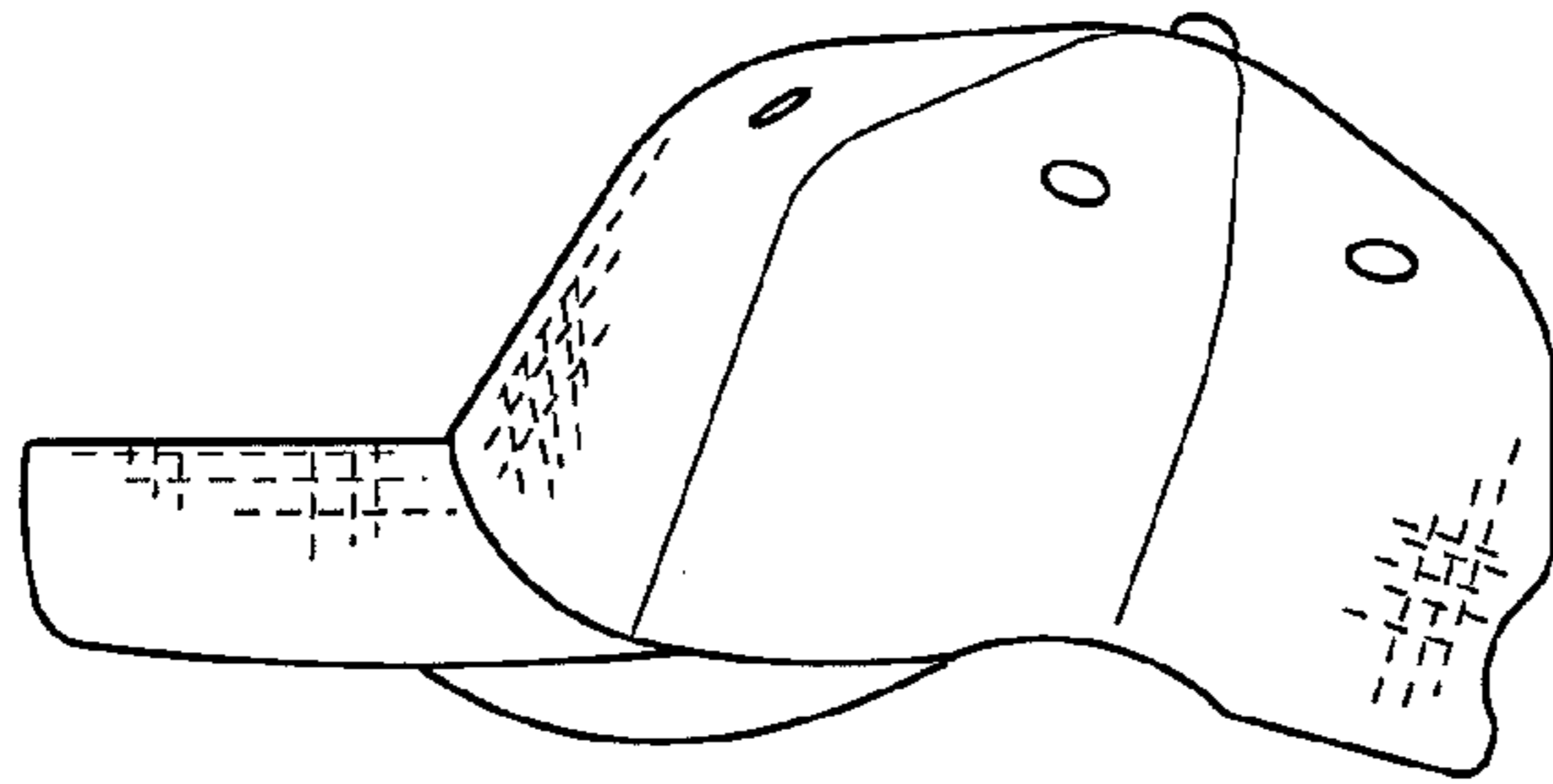
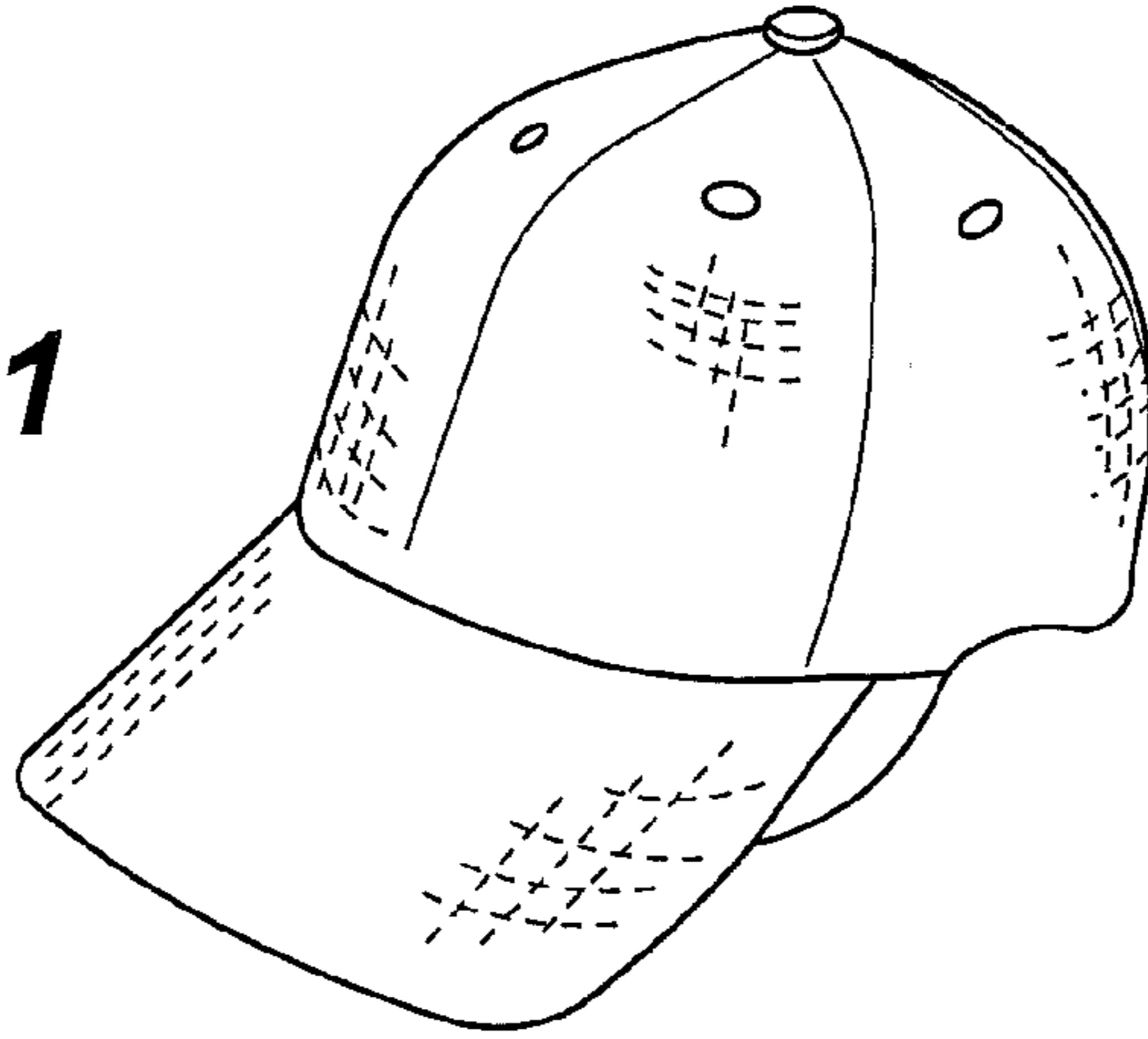


Fig. 2

Fig. 3

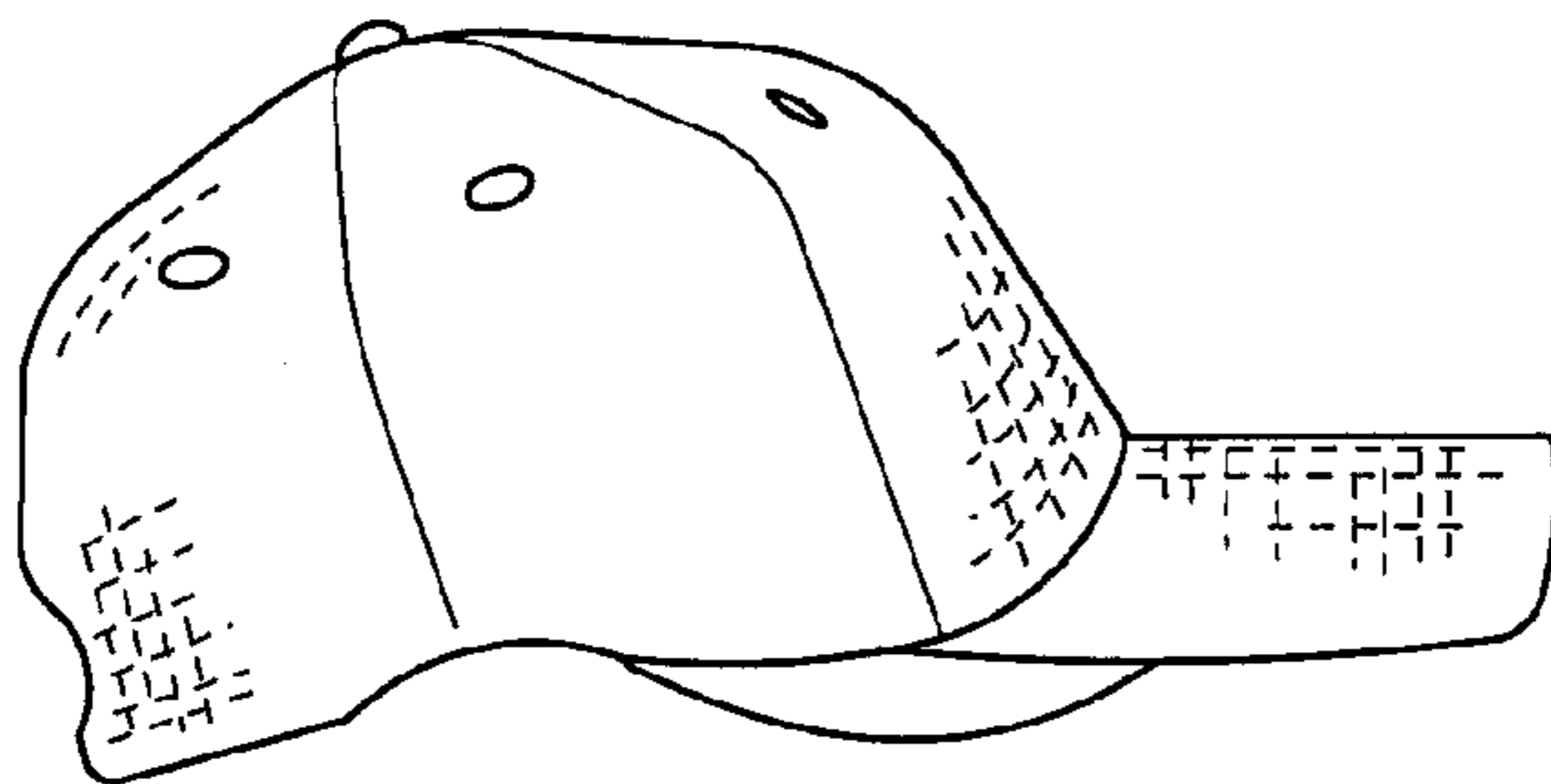
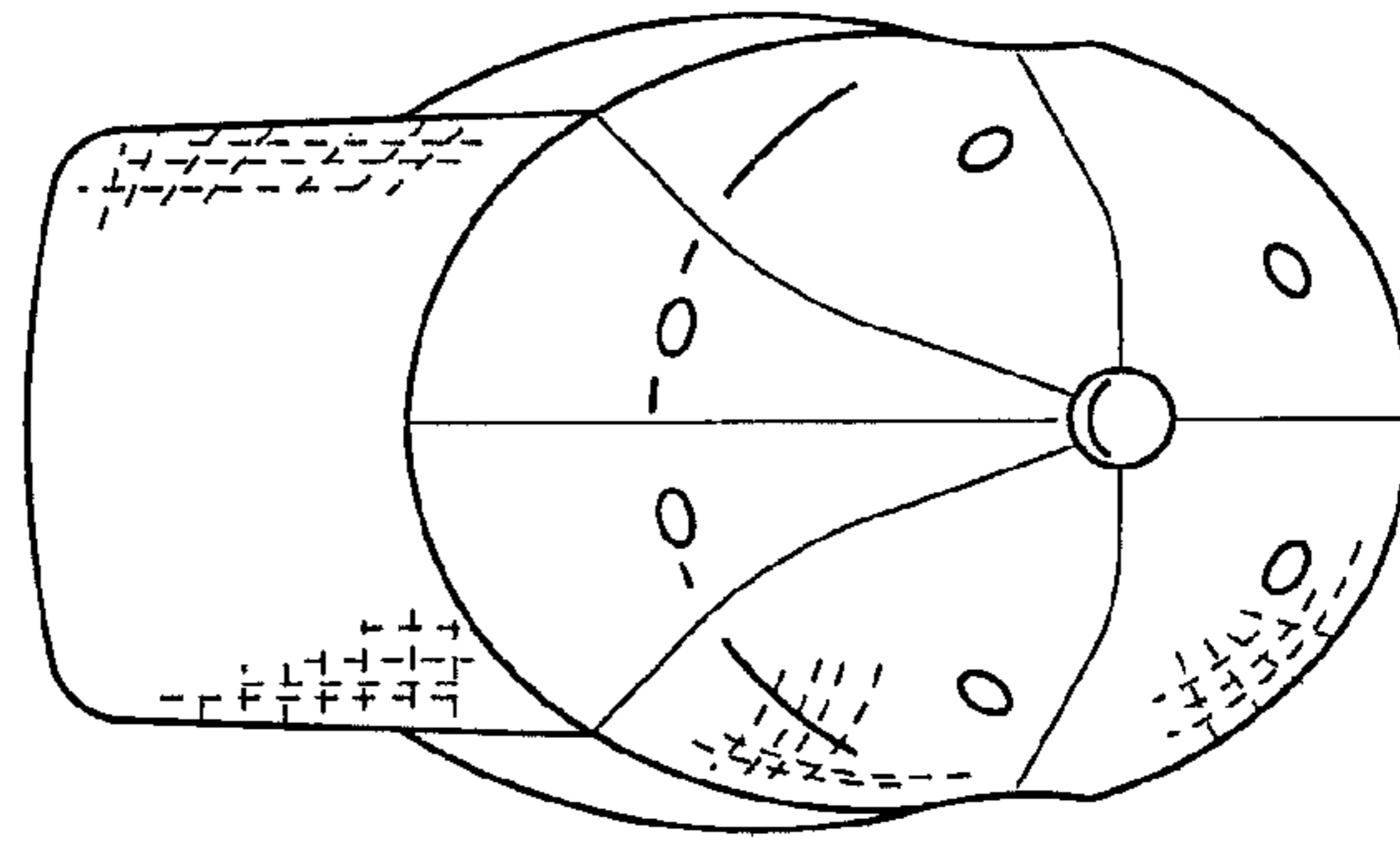


Fig. 4

Fig. 5

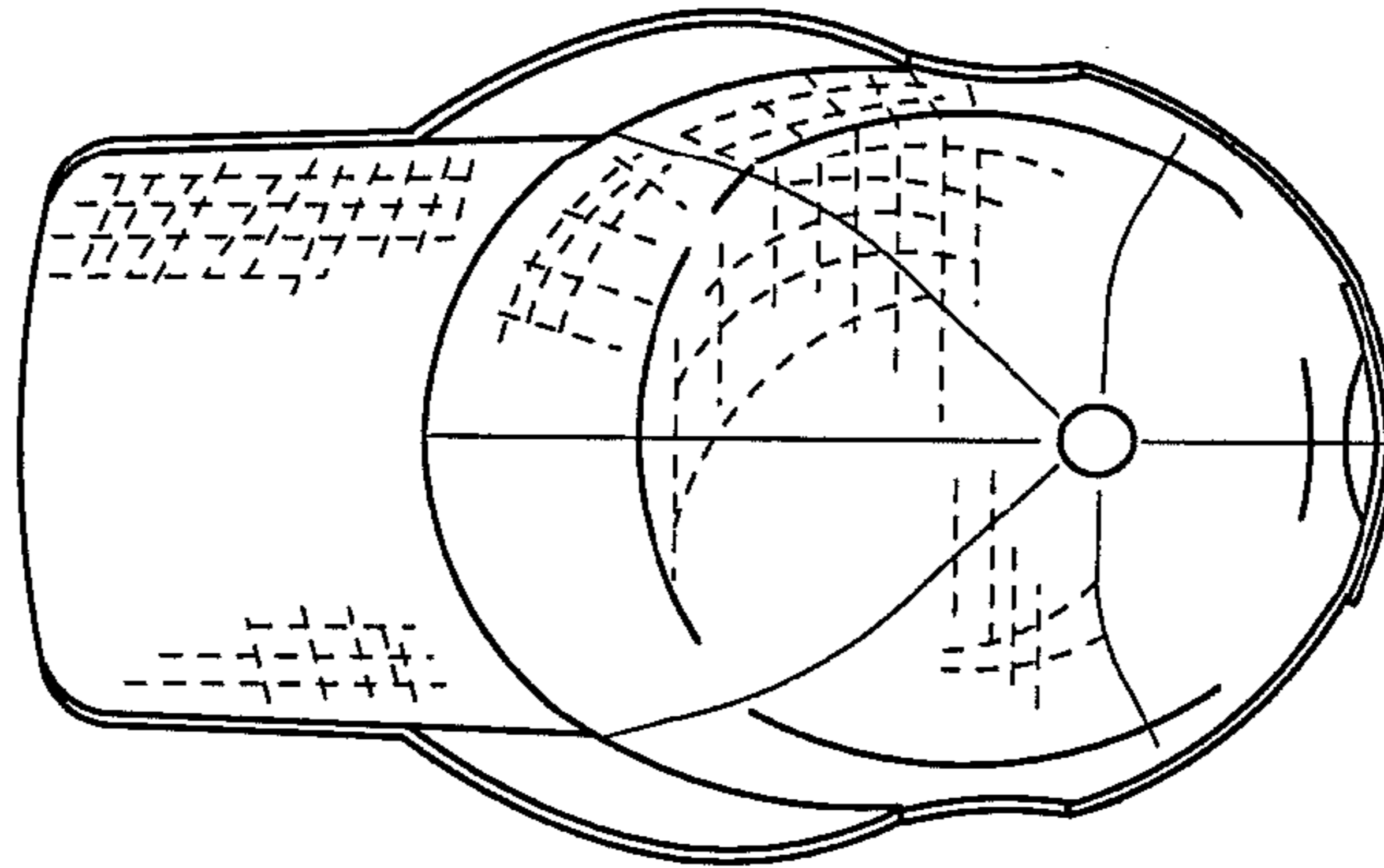


Fig. 6

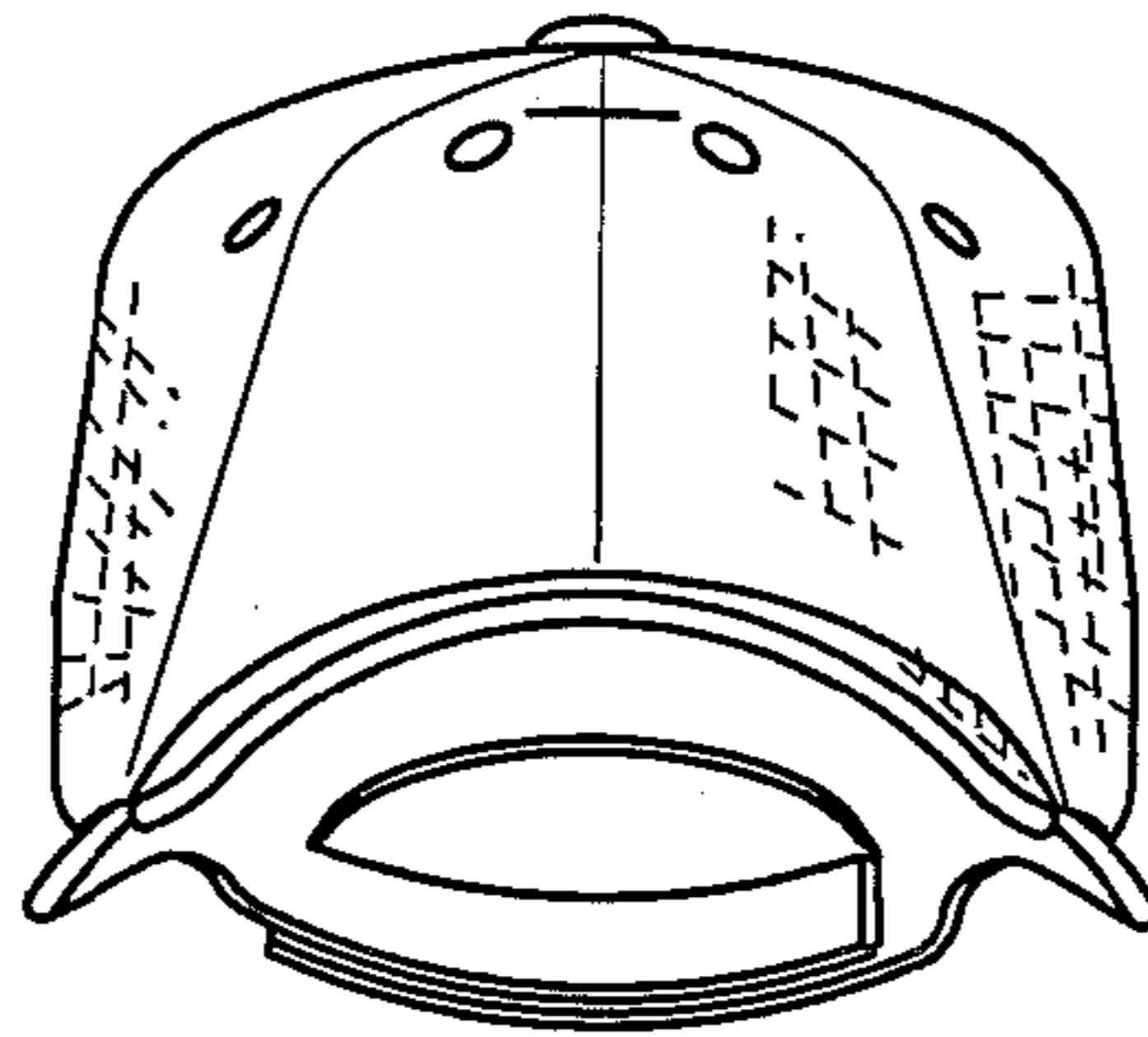


Fig. 7

