

US00D557475S

(12) **United States Design Patent**
Kruger

(10) **Patent No.:** **US D557,475 S**

(45) **Date of Patent:** **** Dec. 11, 2007**

(54) **PALLET ASSEMBLY**

(75) Inventor: **Warren F. Kruger**, Tulsa, OK (US)

(73) Assignee: **Greystone Logistics, Inc.**, Tulsa, OK (US)

(**) Term: **14 Years**

(21) Appl. No.: **29/248,198**

(22) Filed: **Aug. 2, 2006**

(51) **LOC (8) Cl.** **09-08**

(52) **U.S. Cl.** **D34/38**

(58) **Field of Classification Search** D34/38;
108/51.11, 53.1, 56.1, 56.3

See application file for complete search history.

(56) **References Cited**

U.S. PATENT DOCUMENTS

D258,948 S *	4/1981	Stump, Jr.	D34/38
4,597,338 A *	7/1986	Kreeger	108/57.26
D371,882 S *	7/1996	Kristoffersson	D34/38
5,791,261 A *	8/1998	John et al.	108/56.3
D404,179 S *	1/1999	Apps et al.	D34/38
D410,786 S *	6/1999	Favaron et al.	D34/38
5,950,546 A *	9/1999	Brown et al.	108/56.1
6,006,677 A *	12/1999	Apps et al.	108/57.25

D472,360 S *	3/2003	Medoff et al.	D34/38
D485,659 S *	1/2004	Medoff et al.	D34/38
D521,208 S *	5/2006	France	D34/38

FOREIGN PATENT DOCUMENTS

CA 95864 10/2002

* cited by examiner

Primary Examiner—Cynthia E. Ramirez

(74) *Attorney, Agent, or Firm*—Head, Johnson & Kachigian

(57) **CLAIM**

The ornamental design for a pallet assembly, as shown and described.

DESCRIPTION

FIG. 1 is a top view of a pallet assembly in accordance with the present invention;

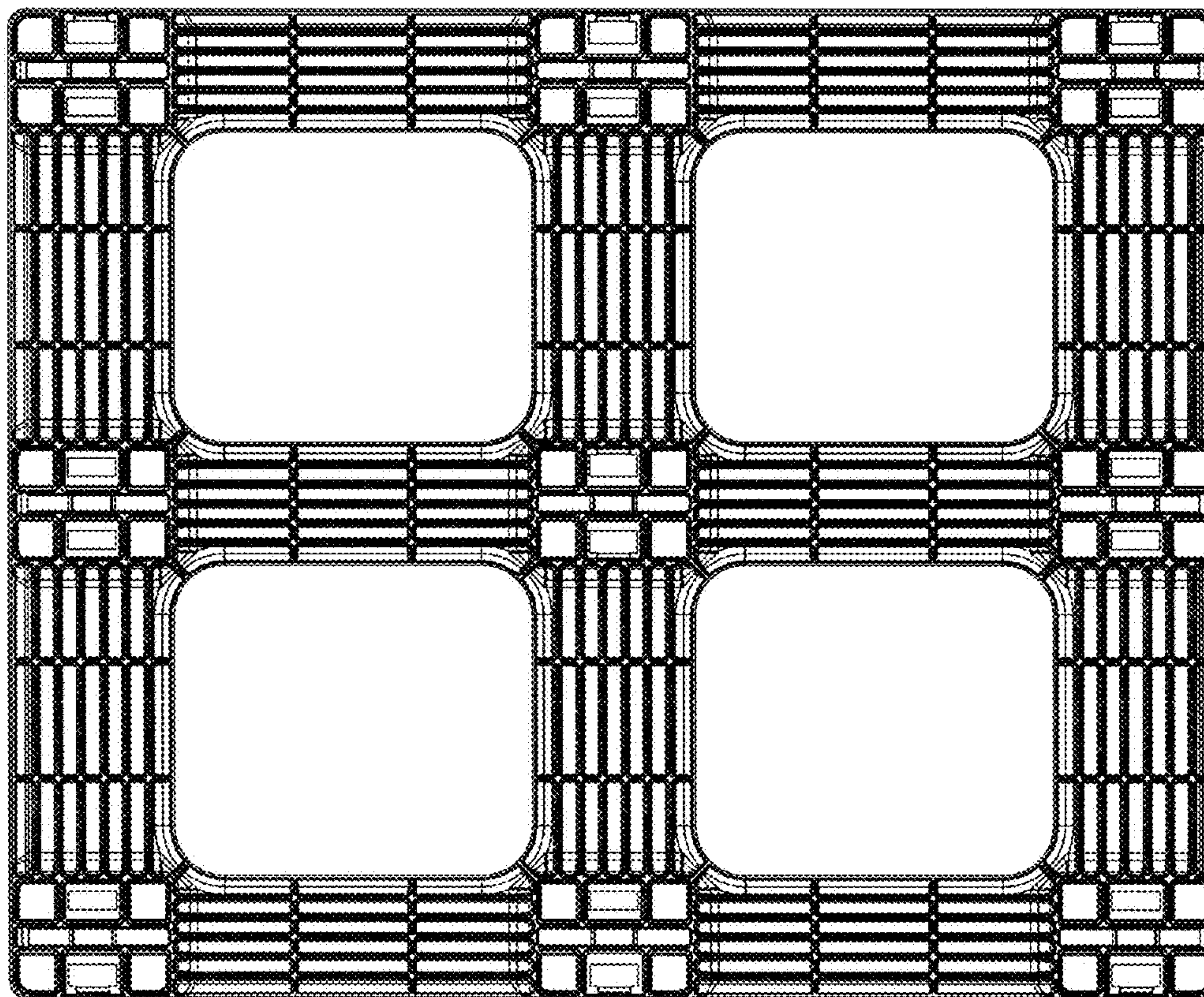
FIG. 2 is a left side view thereof, with the right side view being a mirror image of the left side;

FIG. 3 is a bottom view thereof;

FIG. 4 is a front view thereof, with the rear view being a mirror image of the front view; and,

FIG. 5 is a perspective view thereof.

1 Claim, 3 Drawing Sheets



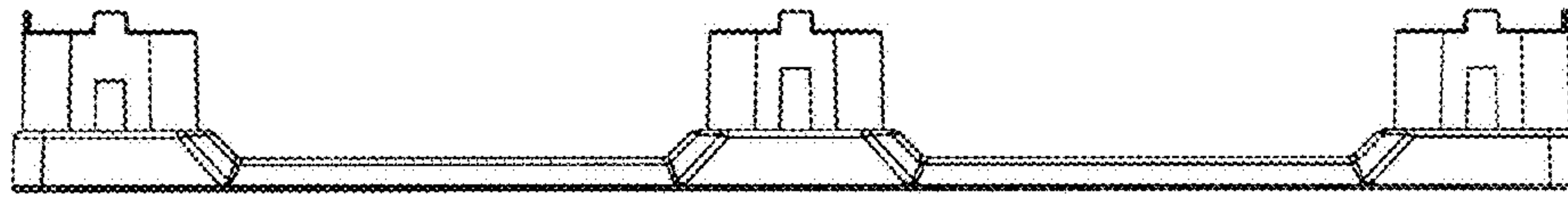


Fig. 2

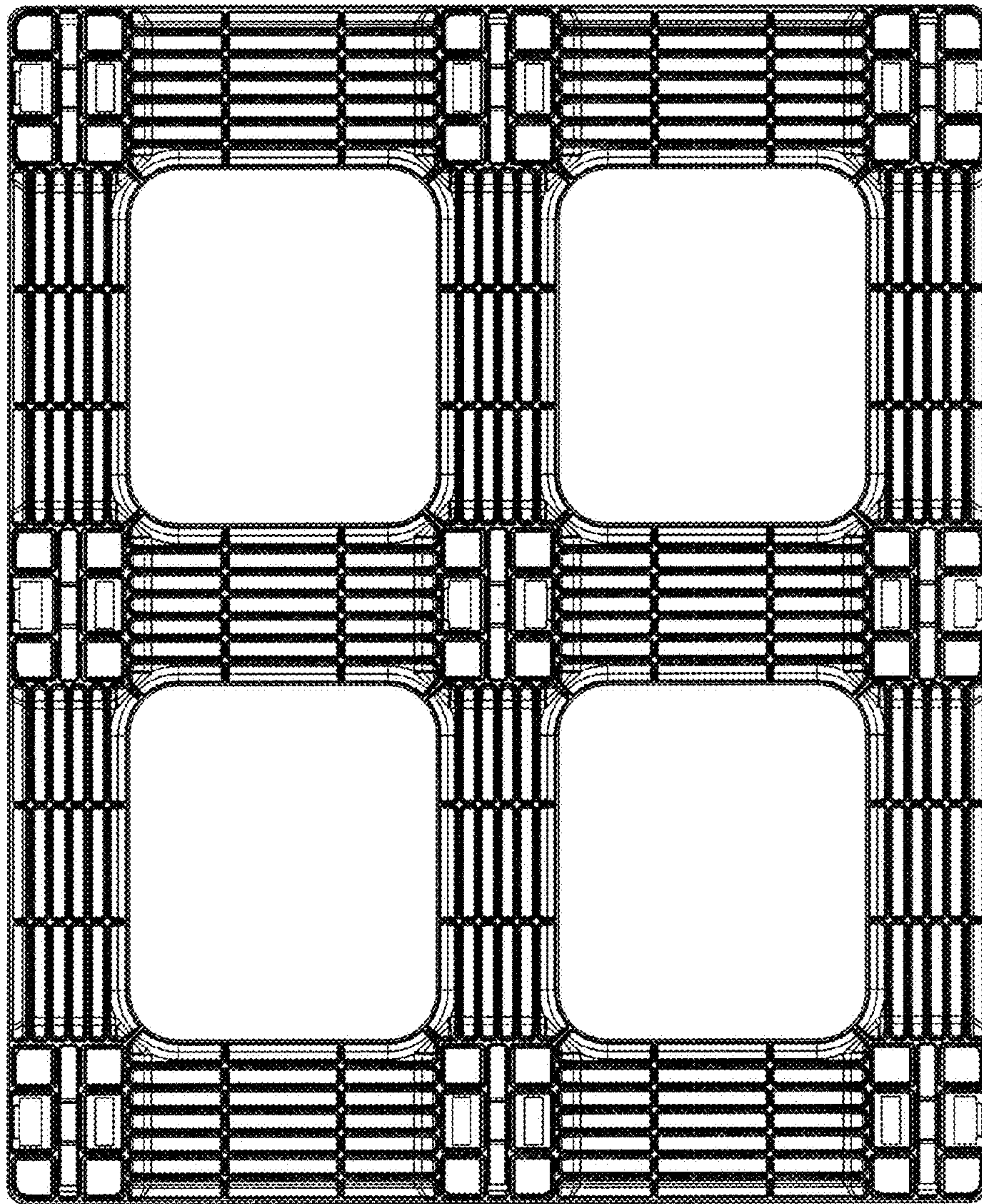


Fig. 1

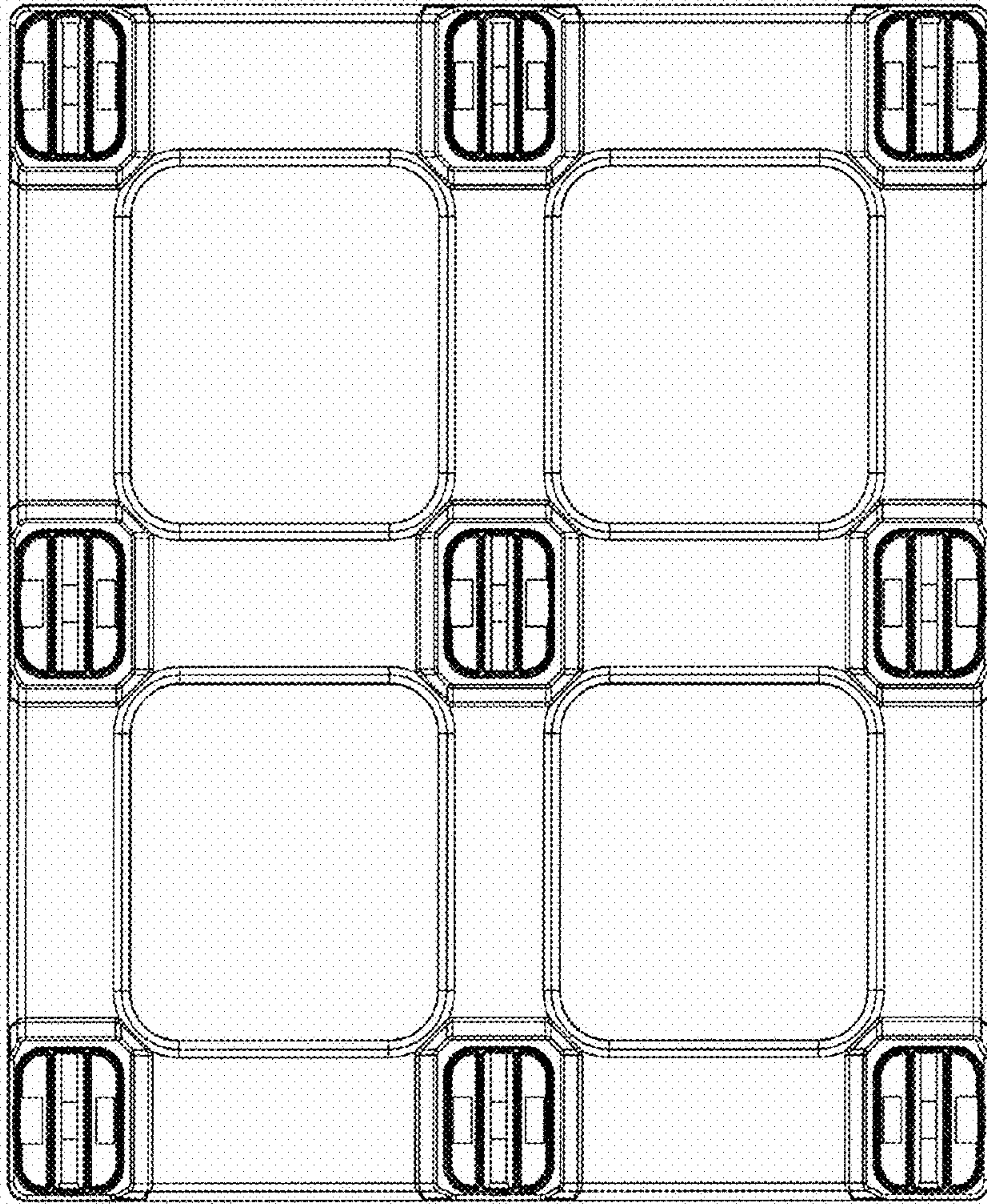


Fig. 3

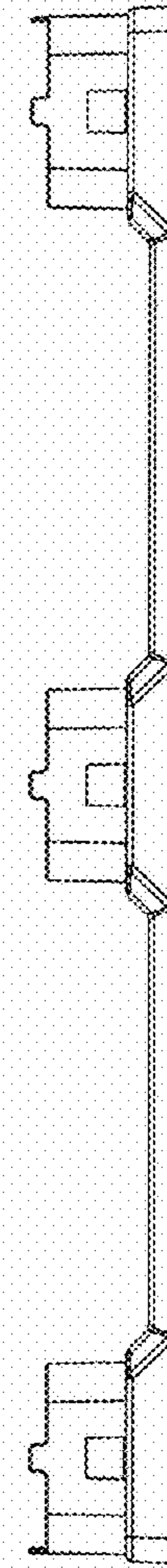


Fig. 4

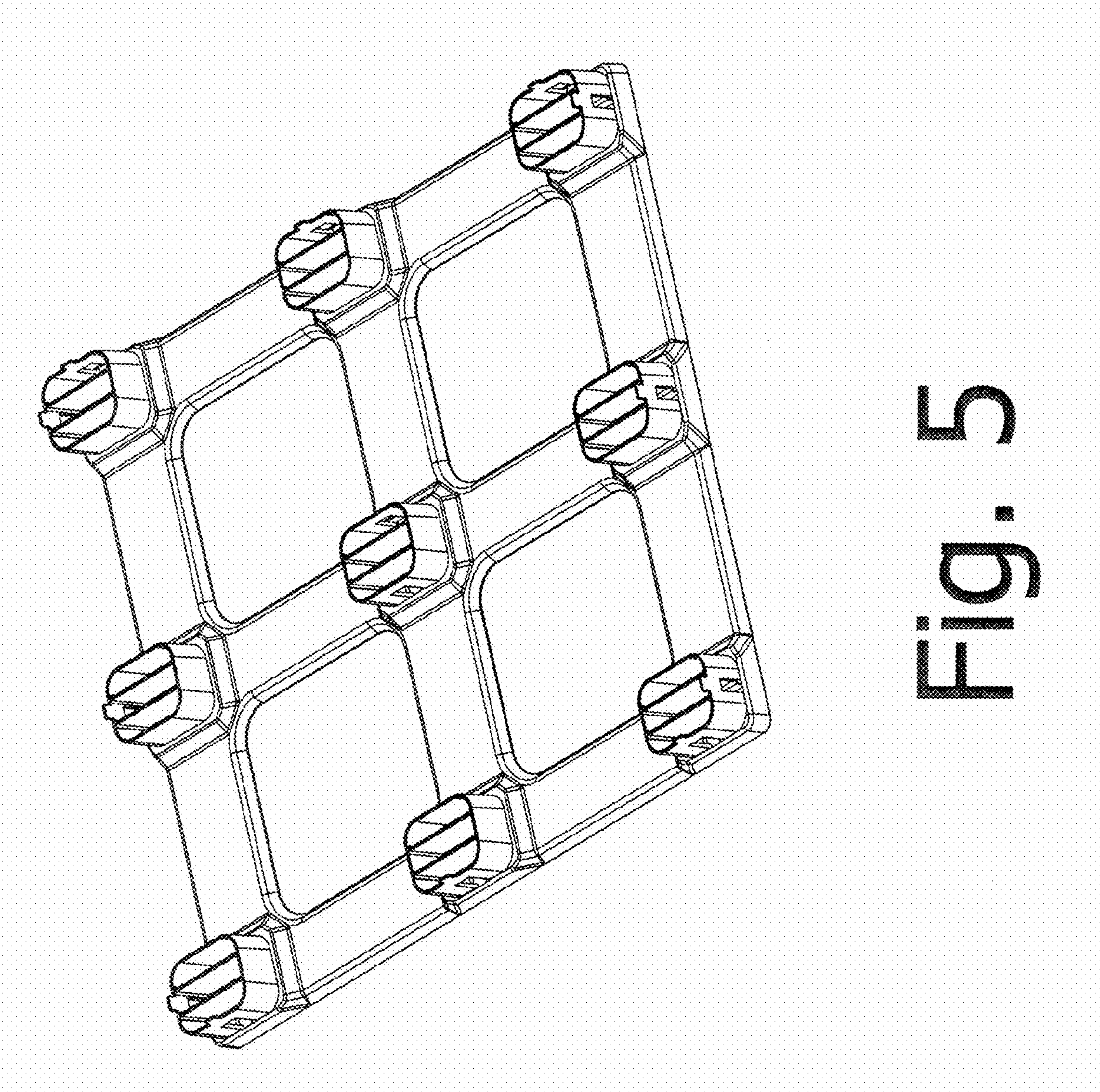


Fig. 5