



US00D557473S

(12) **United States Design Patent** (10) **Patent No.:** **US D557,473 S**
Oh (45) **Date of Patent:** **** Dec. 11, 2007**

(54) **REFUSE COLLECTION CART**
(75) Inventor: **Sun K. Oh**, Lansdale, PA (US)
(73) Assignee: **Byung H. Kim**, Jiangsu (CN), (part interest)
(**) Term: **14 Years**

D267,359 S 12/1982 Mustard
D268,621 S * 4/1983 Marini et al. D34/26
4,461,441 A 7/1984 Briggs
4,805,857 A 2/1989 Travis
4,846,427 A * 7/1989 Jones 248/95
D303,443 S 9/1989 Shoctor
4,869,518 A * 9/1989 Breveglierij et al. 280/47.35
4,917,393 A * 4/1990 Rogers 280/47.28

(21) Appl. No.: **29/250,920**
(22) Filed: **Dec. 6, 2006**

(Continued)

Related U.S. Application Data

(63) Continuation of application No. 29/251,380, filed on Jan. 6, 2006, now Pat. No. Des. 537,603.

Primary Examiner—Freda S. Nunn
Assistant Examiner—Kevin K. Rudzinski
(74) *Attorney, Agent, or Firm*—Duane Morris LLP

(51) **LOC (8) Cl.** **12-02**
(52) **U.S. Cl.** **D34/24**
(58) **Field of Classification Search** D34/21,
D34/5, 6, 12, 14, 16, 17, 23, 32, 26; 280/652,
280/651, 79.5, 47.12, 47.131, 47.17, 47.26,
280/47.34, 47.24; 248/129

(57) **CLAIM**

The ornamental design for a refuse collection cart, as shown and described.

See application file for complete search history.

DESCRIPTION

(56) **References Cited**

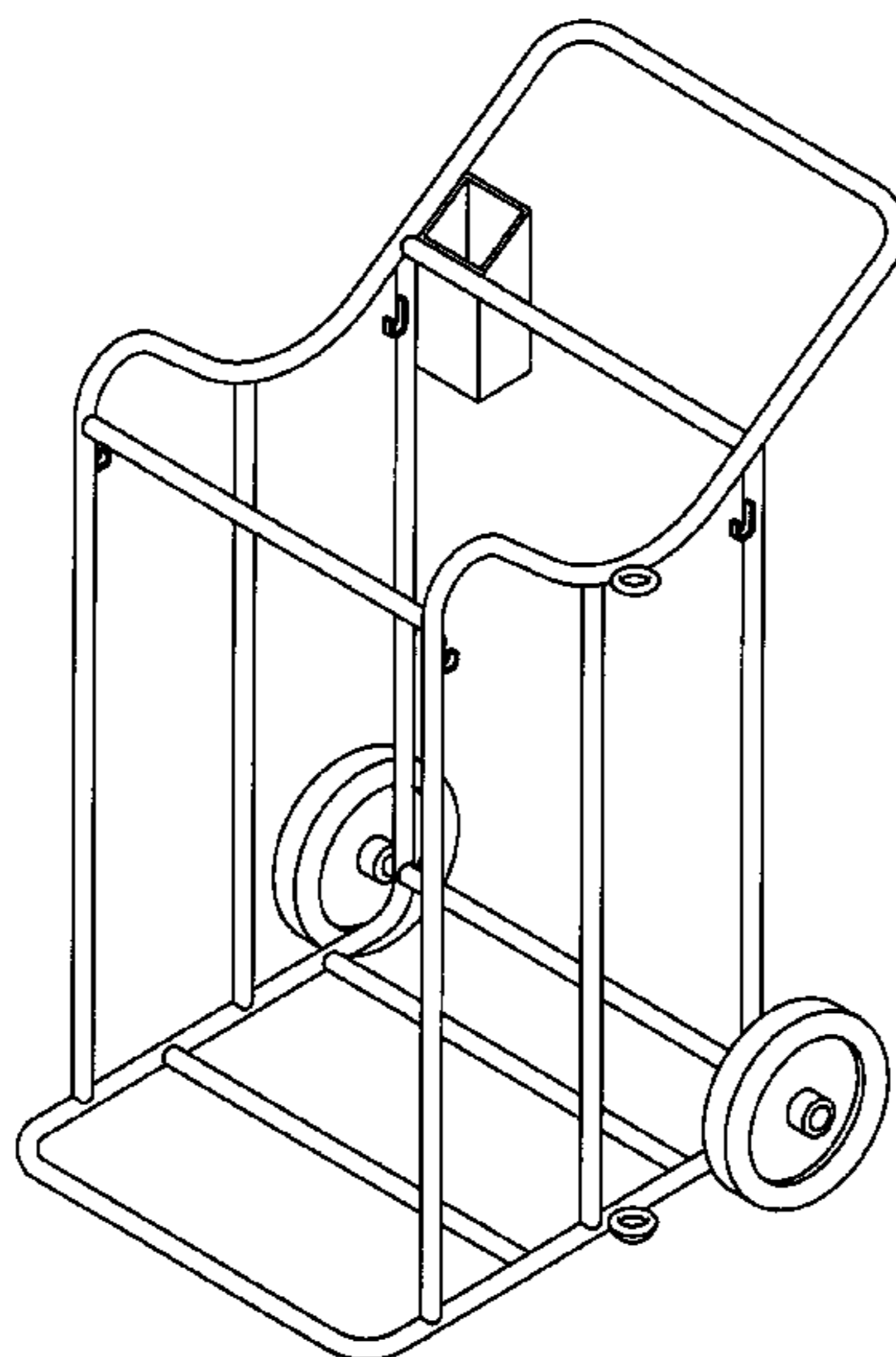
U.S. PATENT DOCUMENTS

D148,128 S 12/1947 Brottman
2,723,863 A 11/1955 Christy
3,041,026 A 7/1962 Wilson
D203,388 S * 1/1966 Belle D34/21
3,834,724 A * 9/1974 Trubiano 280/33.996
3,837,667 A * 9/1974 Sernovitz 280/47.34
D242,537 S 11/1976 Marcell
3,992,034 A * 11/1976 Smith et al. 280/654
D243,593 S * 3/1977 Smith et al. D34/26
D250,325 S * 11/1978 Blatzer et al. D34/21
4,160,557 A * 7/1979 Taylor 280/652
D252,746 S 8/1979 Ek
4,202,521 A 5/1980 Harding
4,247,130 A 1/1981 Paterson

FIG. 1 is a perspective view of a refuse collection cart according to the new design.
FIG. 2 is right side elevation view thereof.
FIG. 3 is a left side elevation view thereof.
FIG. 4 is a front elevation view thereof.
FIG. 5 is a rear elevation view thereof.
FIG. 6 is a top plan view thereof.
FIG. 7 is a bottom plan view thereof.
FIG. 8 is a perspective view showing the design as deployed, with a ramp, a rake and collection bag shown in broken lines, and,
FIG. 9 is a perspective view thereof, wherein the ramp is stowed in the cart.

The broken lines showing the ramp, rake and bag are for illustrative purposes only and forms no part of the claimed design.

1 Claim, 8 Drawing Sheets



US D557,473 S

Page 2

U.S. PATENT DOCUMENTS

4,921,193	A	5/1990	Benesch				
4,923,202	A *	5/1990	Breveglieri et al.	280/47.35		
4,927,104	A *	5/1990	Miller	248/97		
4,976,406	A	12/1990	Buckley et al.				
5,118,130	A *	6/1992	Kaltz	280/654		
5,209,517	A *	5/1993	Shagoury	280/654		
5,323,990	A	6/1994	Graves				
5,328,182	A	7/1994	Kuo				
5,380,033	A *	1/1995	Harling	280/654		
D366,548	S *	1/1996	Morasse	D34/24		
5,487,551	A	1/1996	Kennedy				
D456,582	S	4/2002	Riach				
6,367,822	B1 *	4/2002	Hutchins	280/47.24		
6,471,237	B1	10/2002	Bedsole				
D469,235	S *	1/2003	Calmeise et al.	D34/21		
6,666,465	B2 *	12/2003	Chan	280/47.26		
6,796,564	B2	9/2004	Kelly				
6,827,357	B2 *	12/2004	Calmeise et al.	280/47.34		
2002/0070518	A1 *	6/2002	Peters	280/47.24		
2002/0101048	A1	8/2002	Sword				
2003/0057668	A1	3/2003	Peters				

* cited by examiner

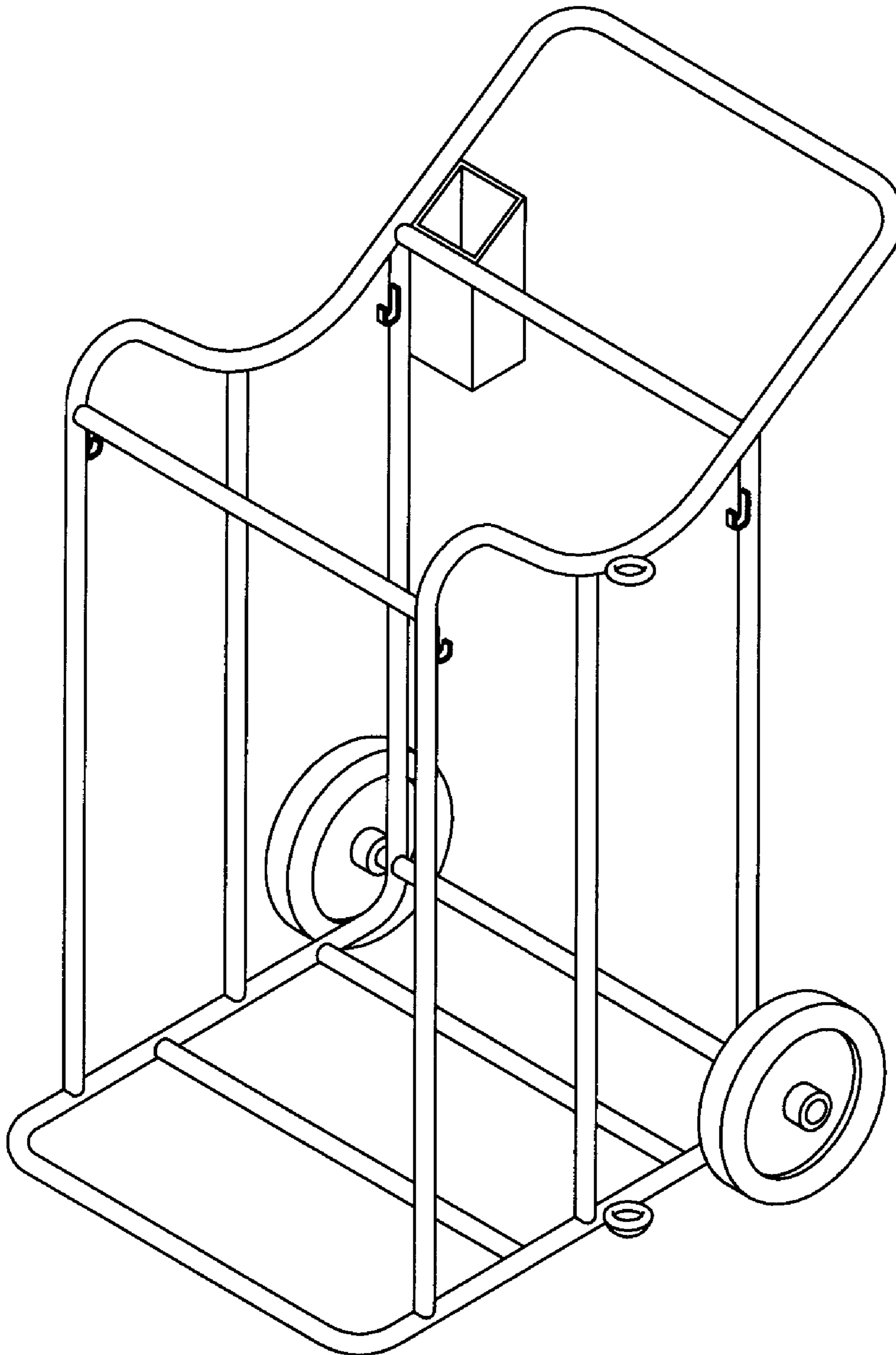


FIG. 1

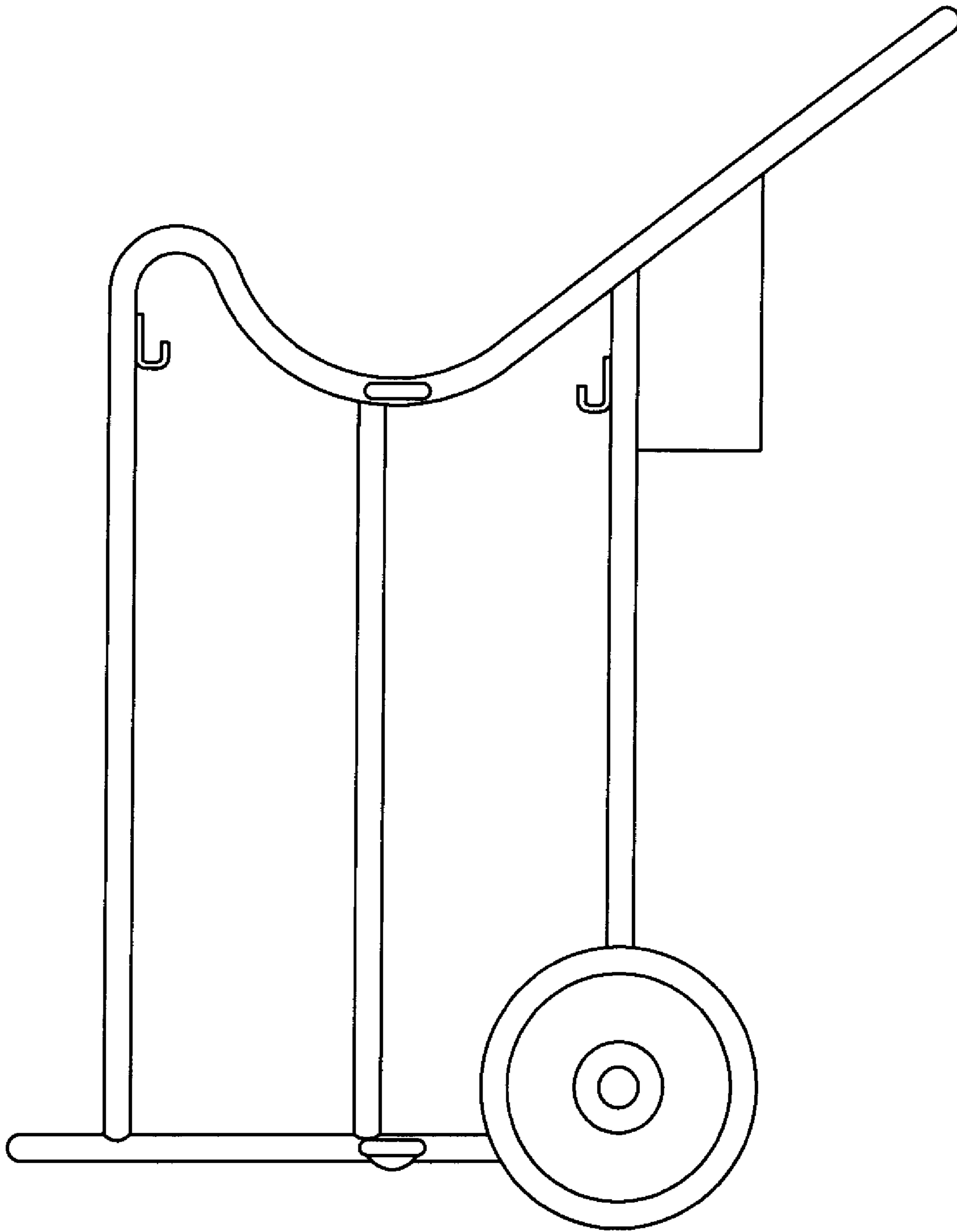


FIG. 2

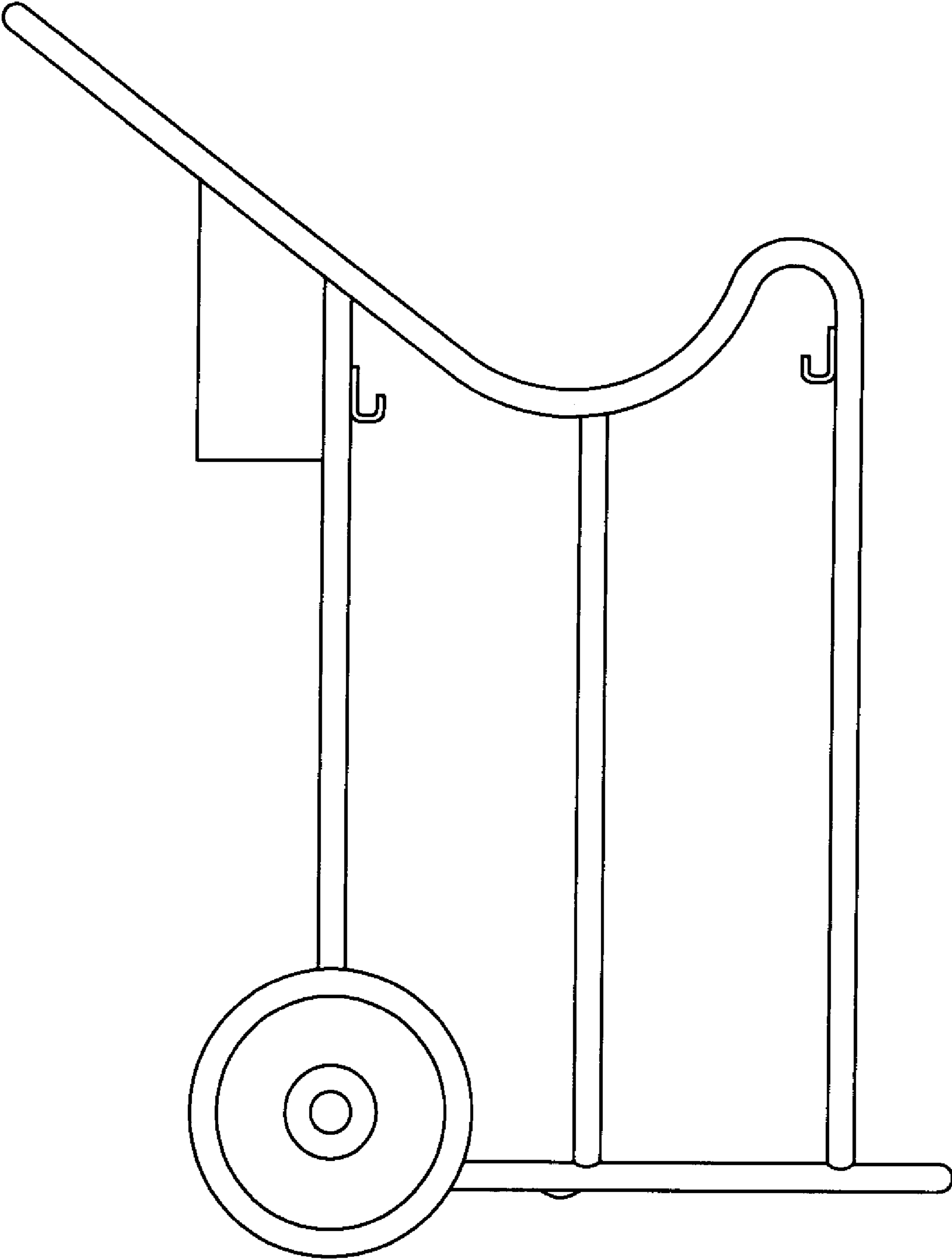


FIG. 3

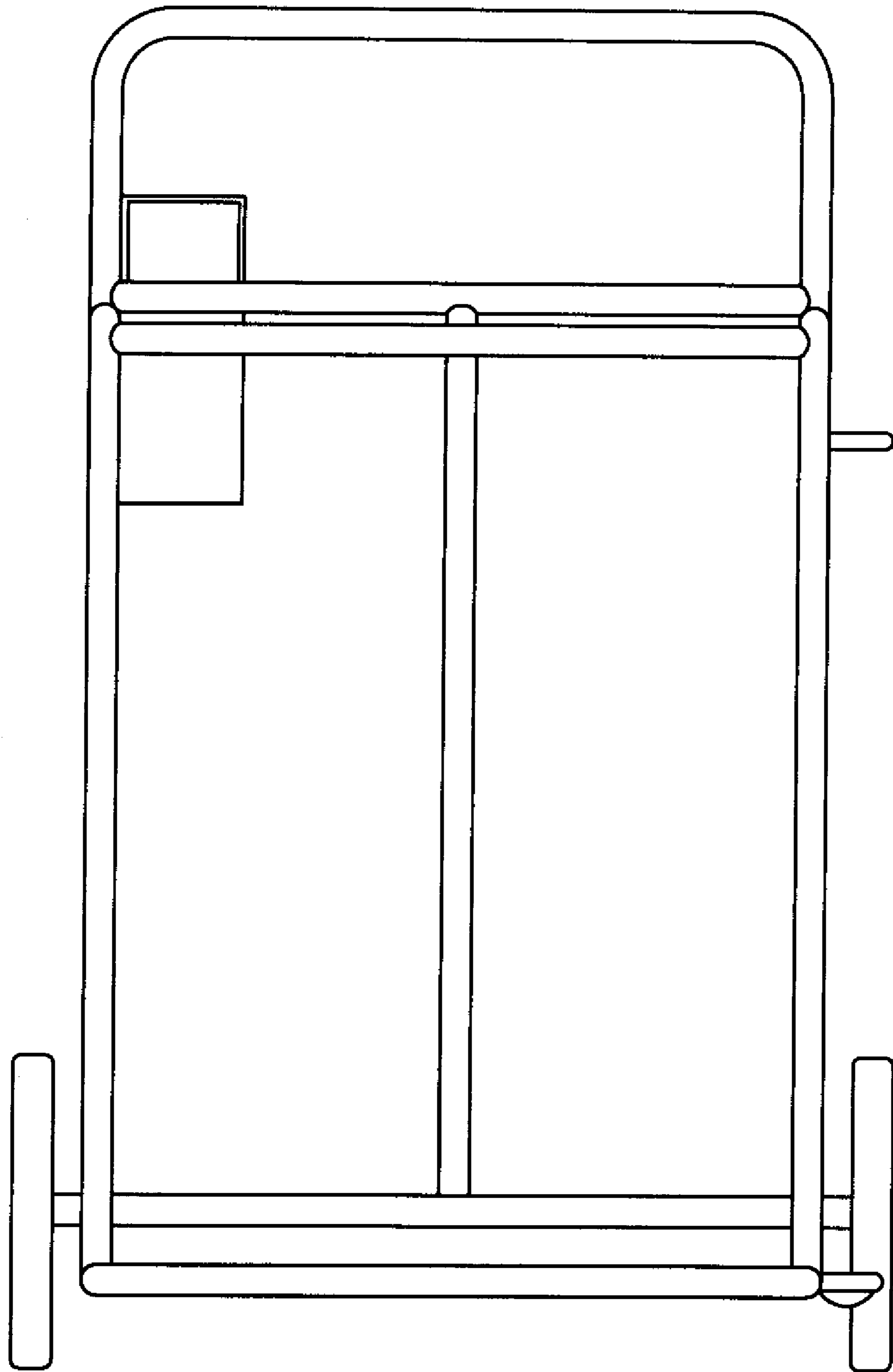


FIG. 4

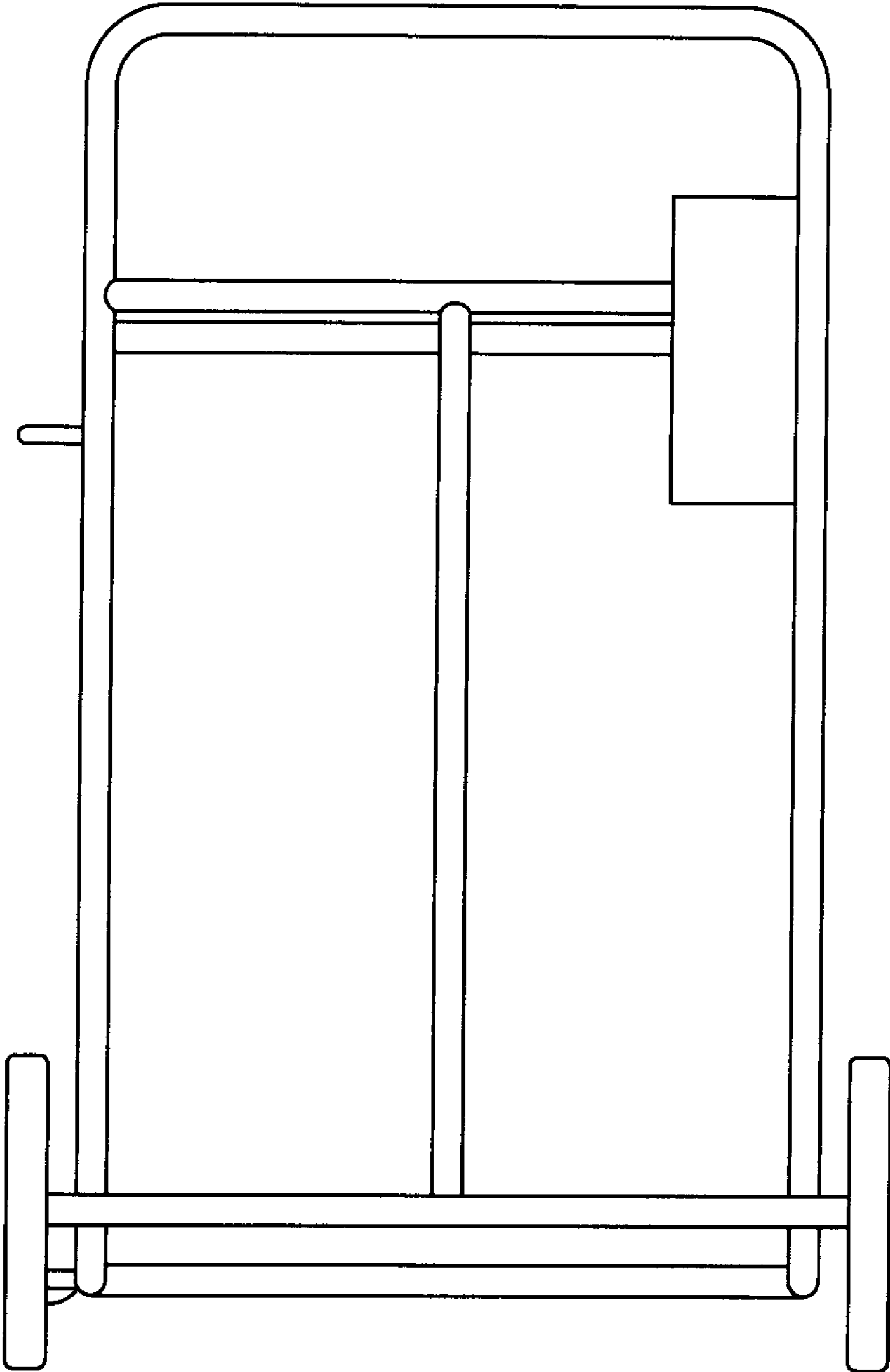


FIG. 5

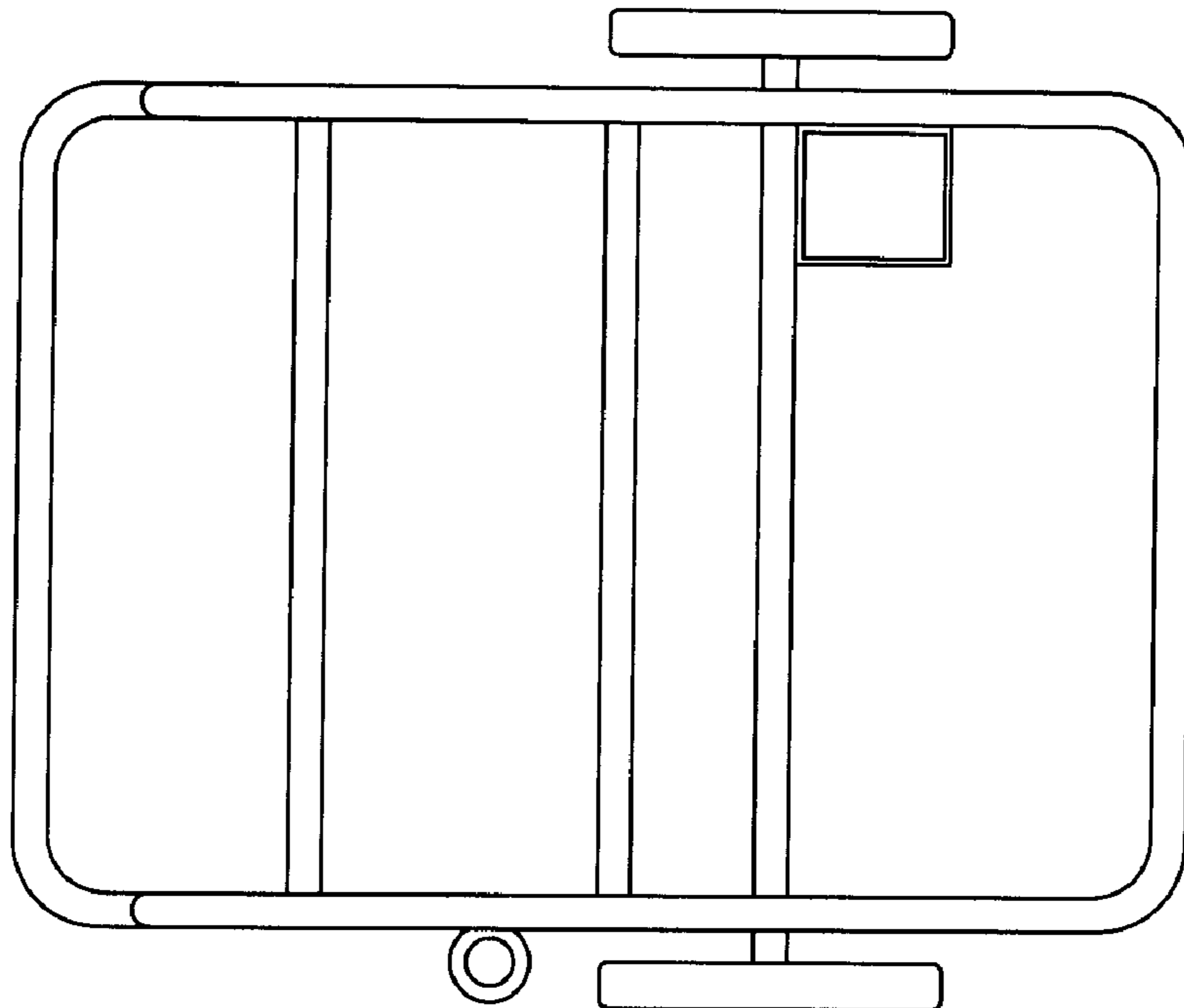


FIG. 6

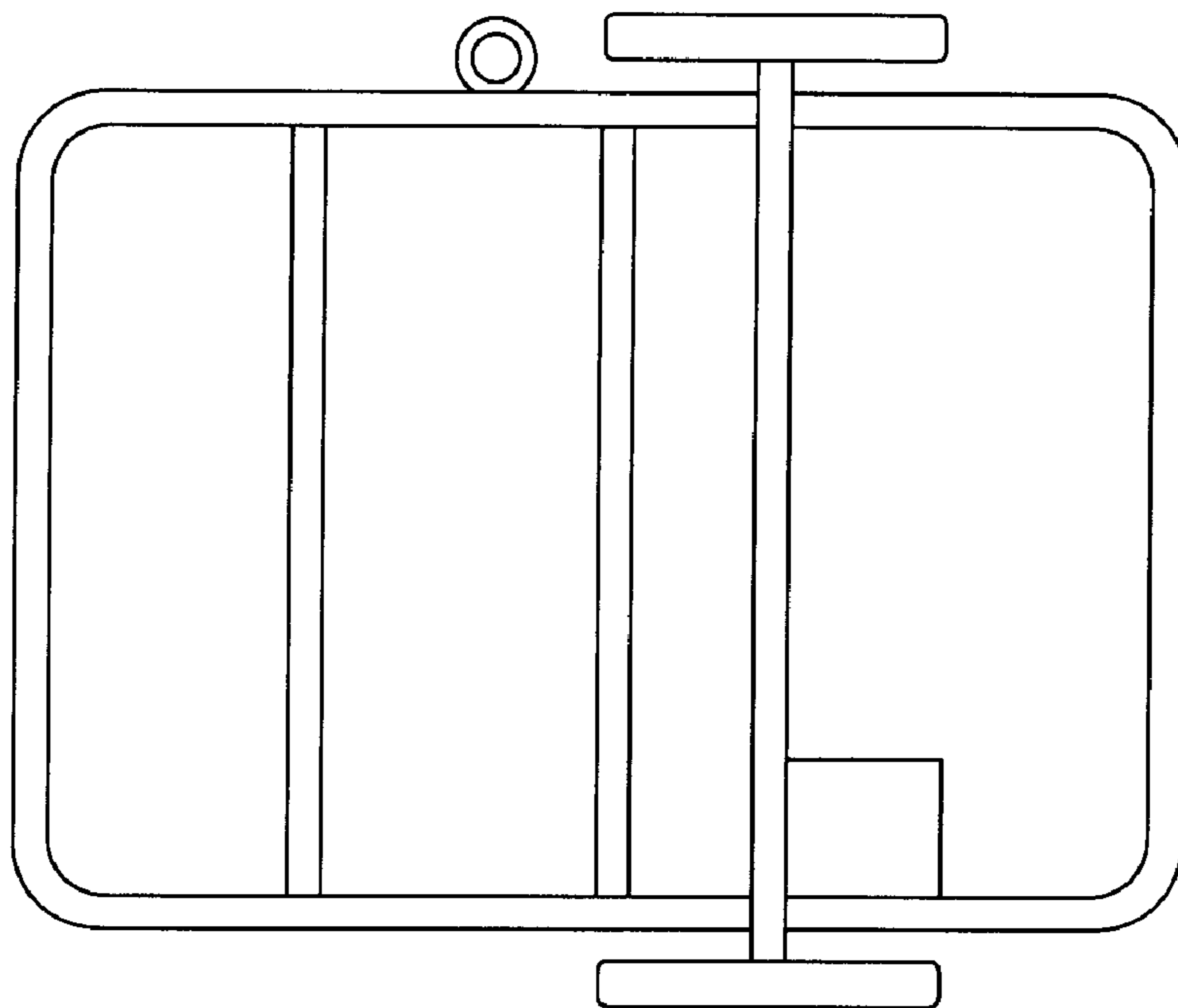


FIG. 7

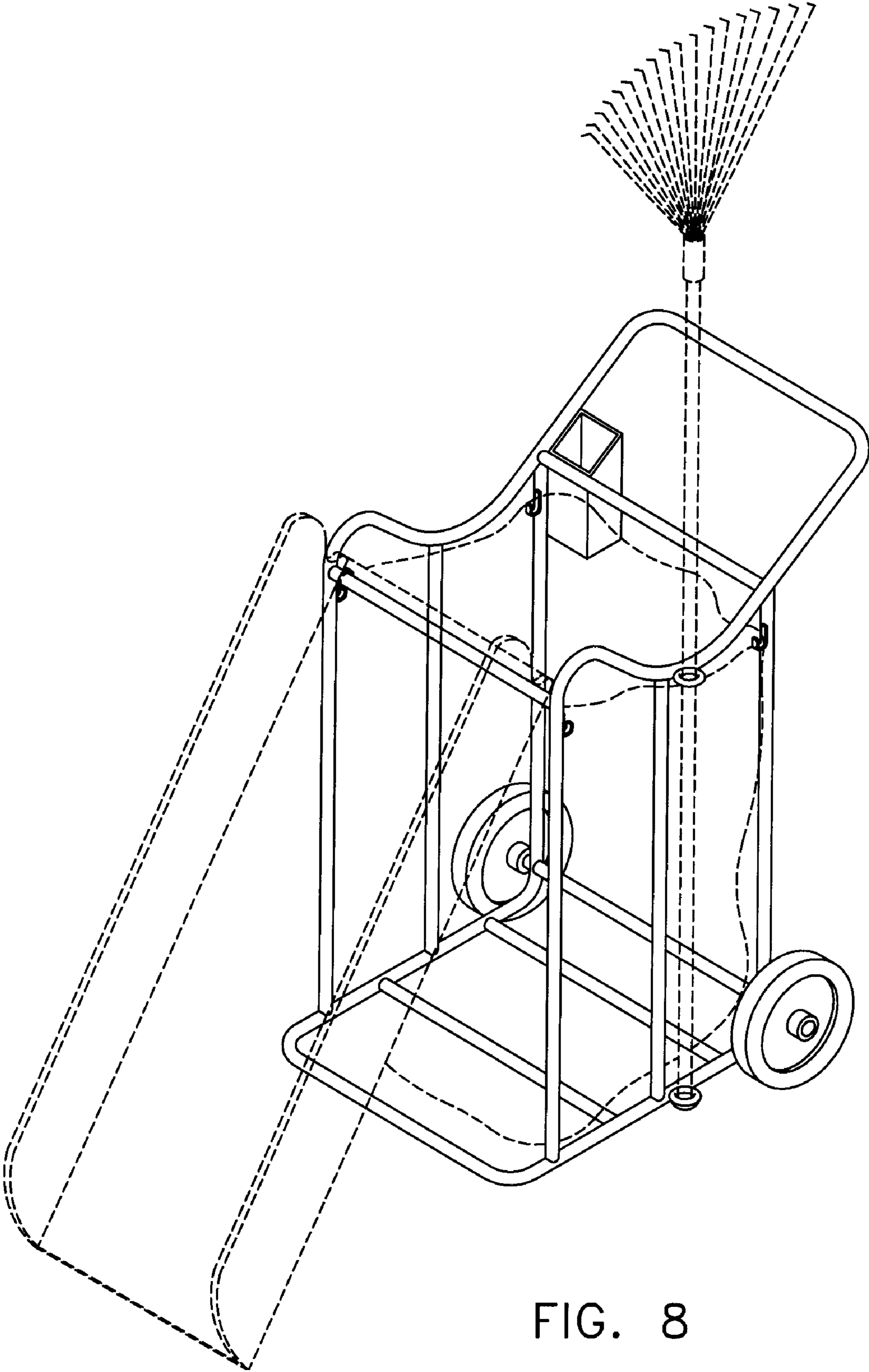


FIG. 8

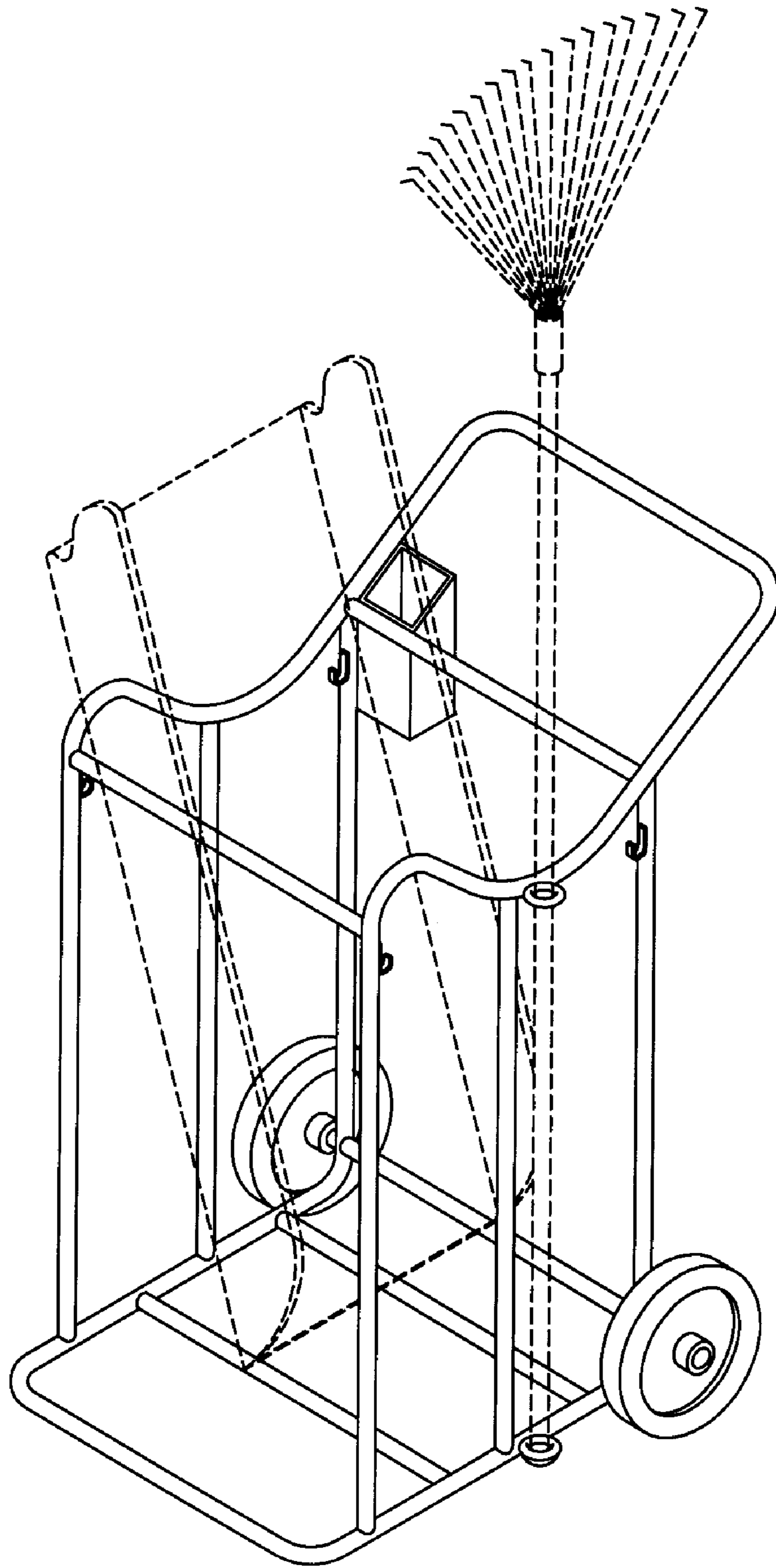


FIG. 9