



US00D557472S

(12) **United States Design Patent**
Renner

(10) **Patent No.:** **US D557,472 S**

(45) **Date of Patent:** **** Dec. 11, 2007**

(54) **BUCKET**

(75) Inventor: **Reinhard Renner**, Esslingen (DE)

(73) Assignee: **Leifheit AG**, Nassau/Lahn (DE)

(**) Term: **14 Years**

(21) Appl. No.: **29/250,496**

(22) Filed: **Nov. 17, 2006**

(30) **Foreign Application Priority Data**

May 17, 2006 (EM) 000530563

(51) **LOC (8) Cl.** **07-07**

(52) **U.S. Cl.** **D32/53**

(58) **Field of Classification Search** D32/53,
D32/53.1, 54; 206/505-507; 220/694-702,
220/735, 773-774, 776; 15/264-265, 257.05,
15/257.06

See application file for complete search history.

(56) **References Cited**

U.S. PATENT DOCUMENTS

D222,892 S * 1/1972 Tarrasa D32/53

D227,148 S * 6/1973 Oss D32/53
D407,878 S * 4/1999 Carlson D32/53
D499,223 S * 11/2004 Libman et al. D32/53
6,866,172 B2 * 3/2005 Shackelford 224/148.4
D516,763 S * 3/2006 Escarpa Gil D32/53

* cited by examiner

Primary Examiner—Pamela J. Burgess

(74) *Attorney, Agent, or Firm*—Darby & Darby P.C.

(57) **CLAIM**

The ornamental design for a bucket, as shown and described.

DESCRIPTION

FIG. 1 is a top, front, and left side perspective view of the bucket, showing my new design;

FIG. 2 is a front view thereof;

FIG. 3 is a left side view thereof, the right side view being the mirror image to the left side view;

FIG. 4 is a back view thereof;

FIG. 5 is a top view thereof; and,

FIG. 6 is a bottom view thereof.

1 Claim, 4 Drawing Sheets

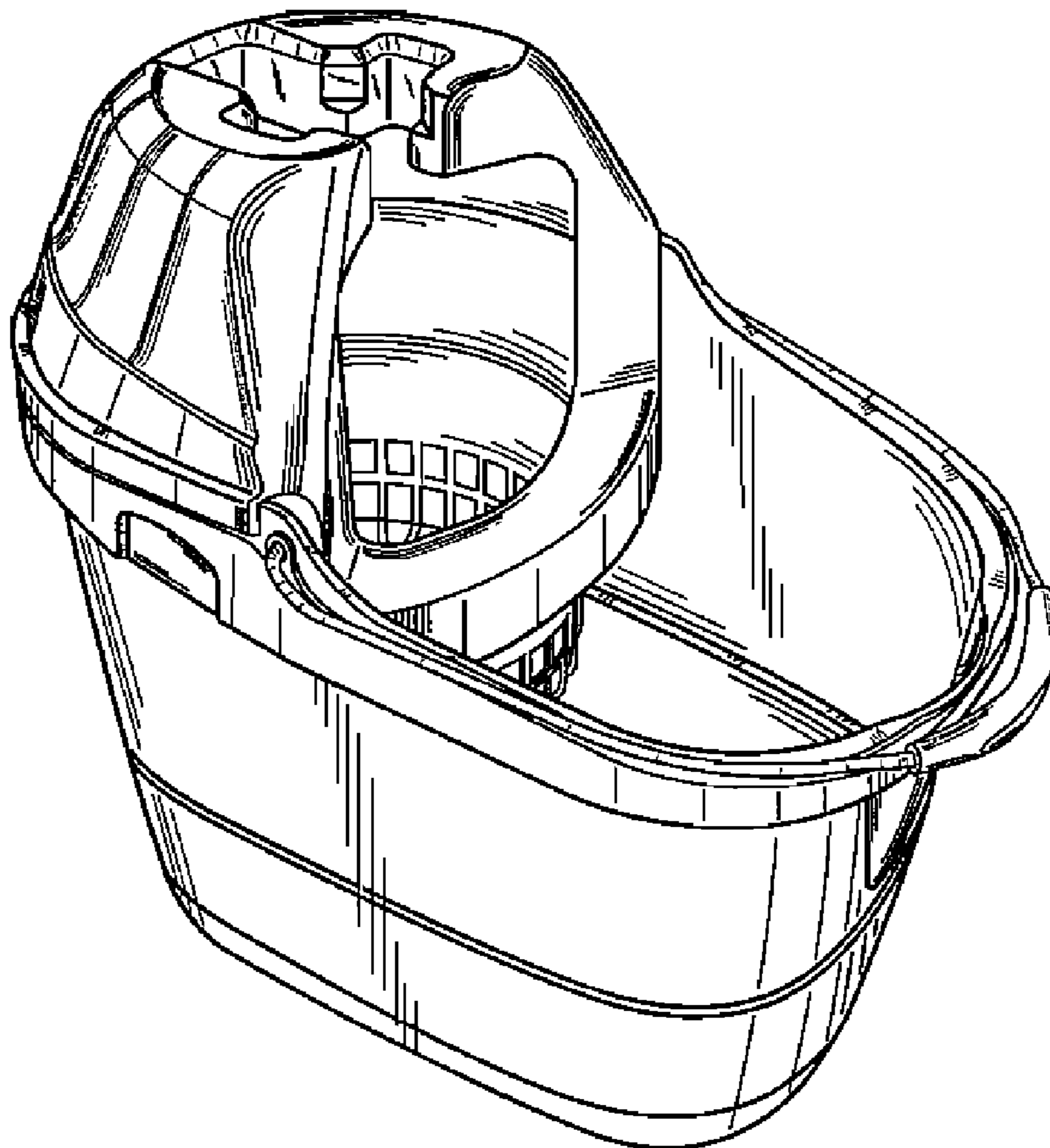
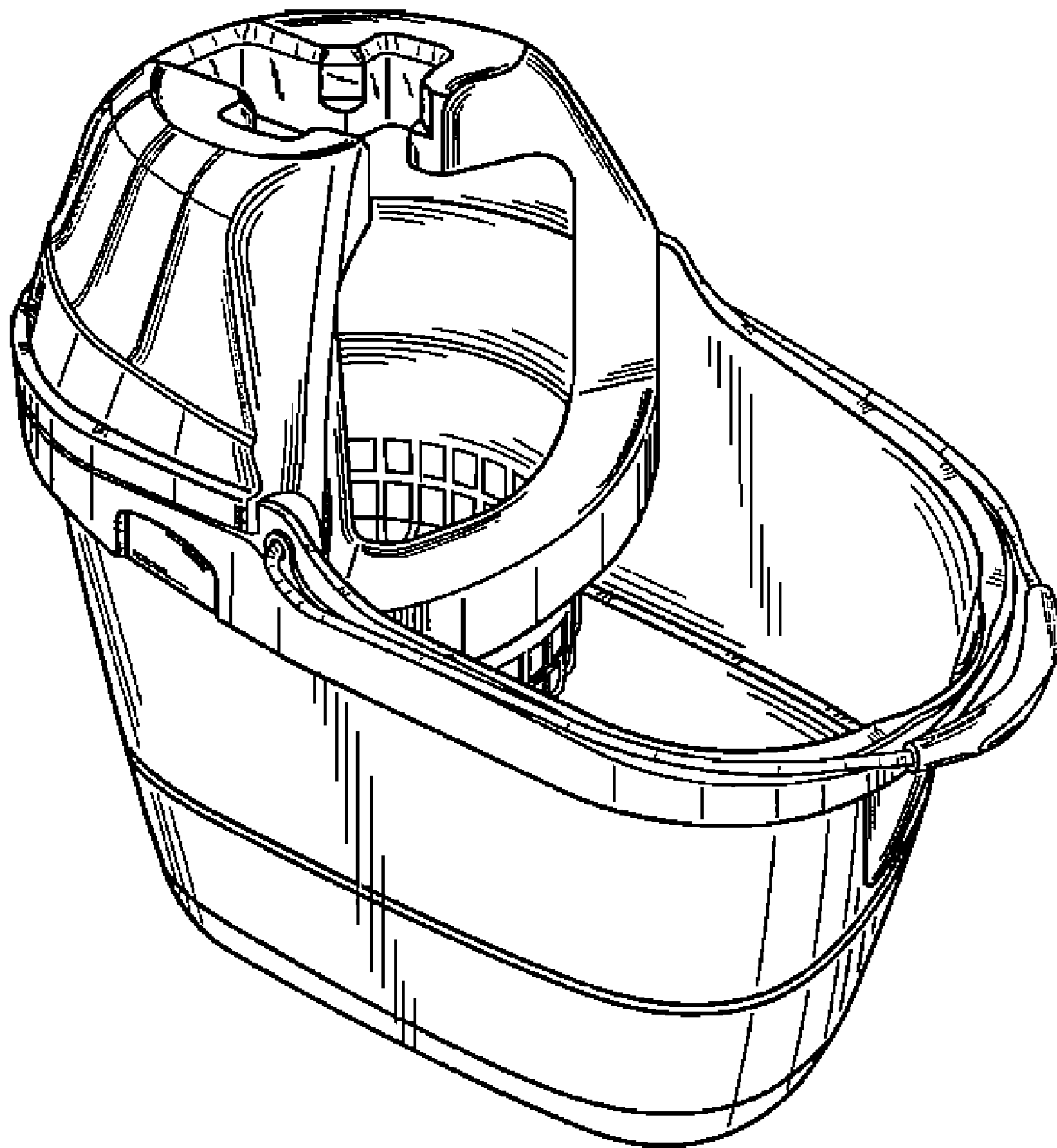


FIG. 1



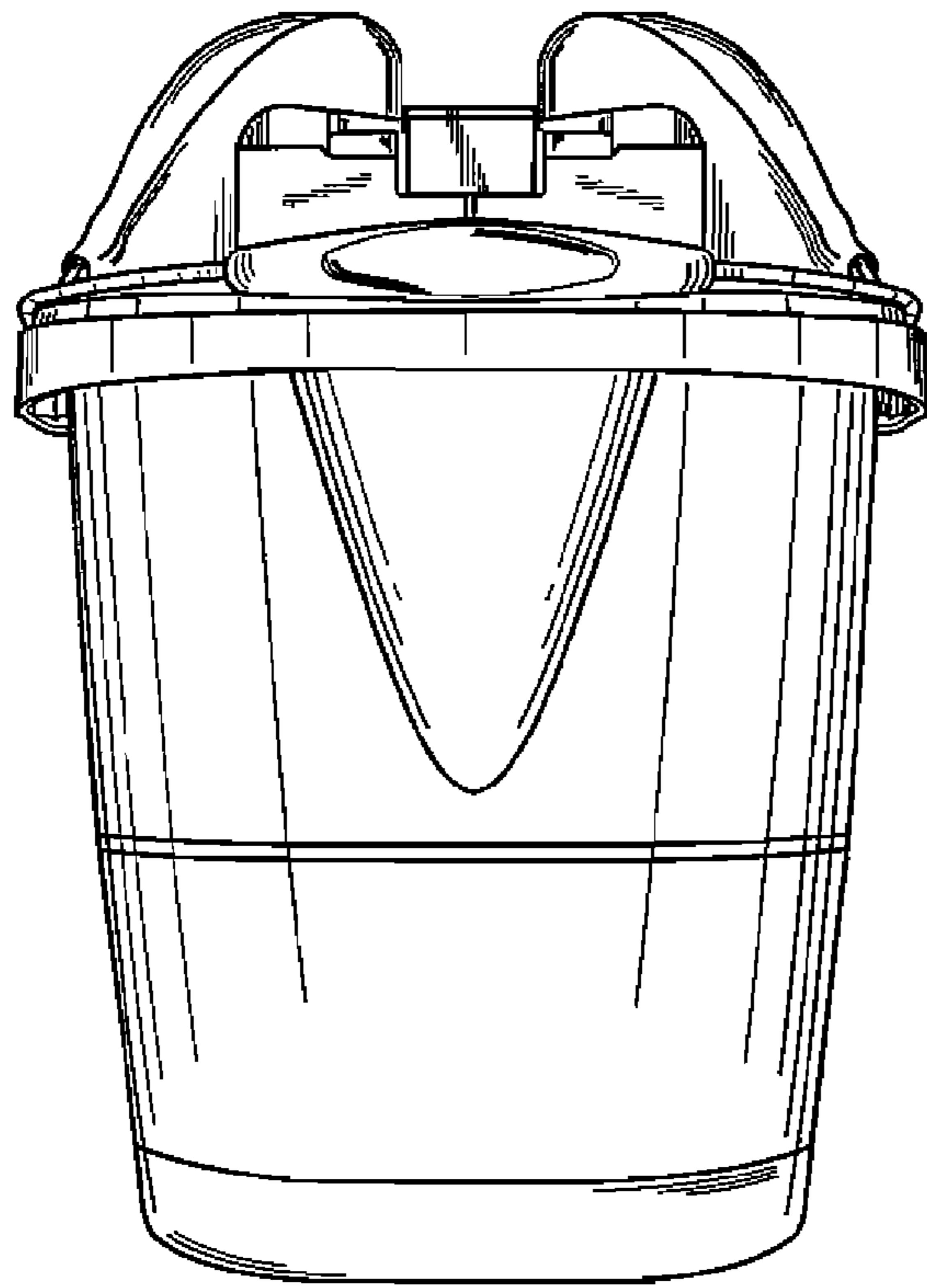


FIG. 2

FIG. 3

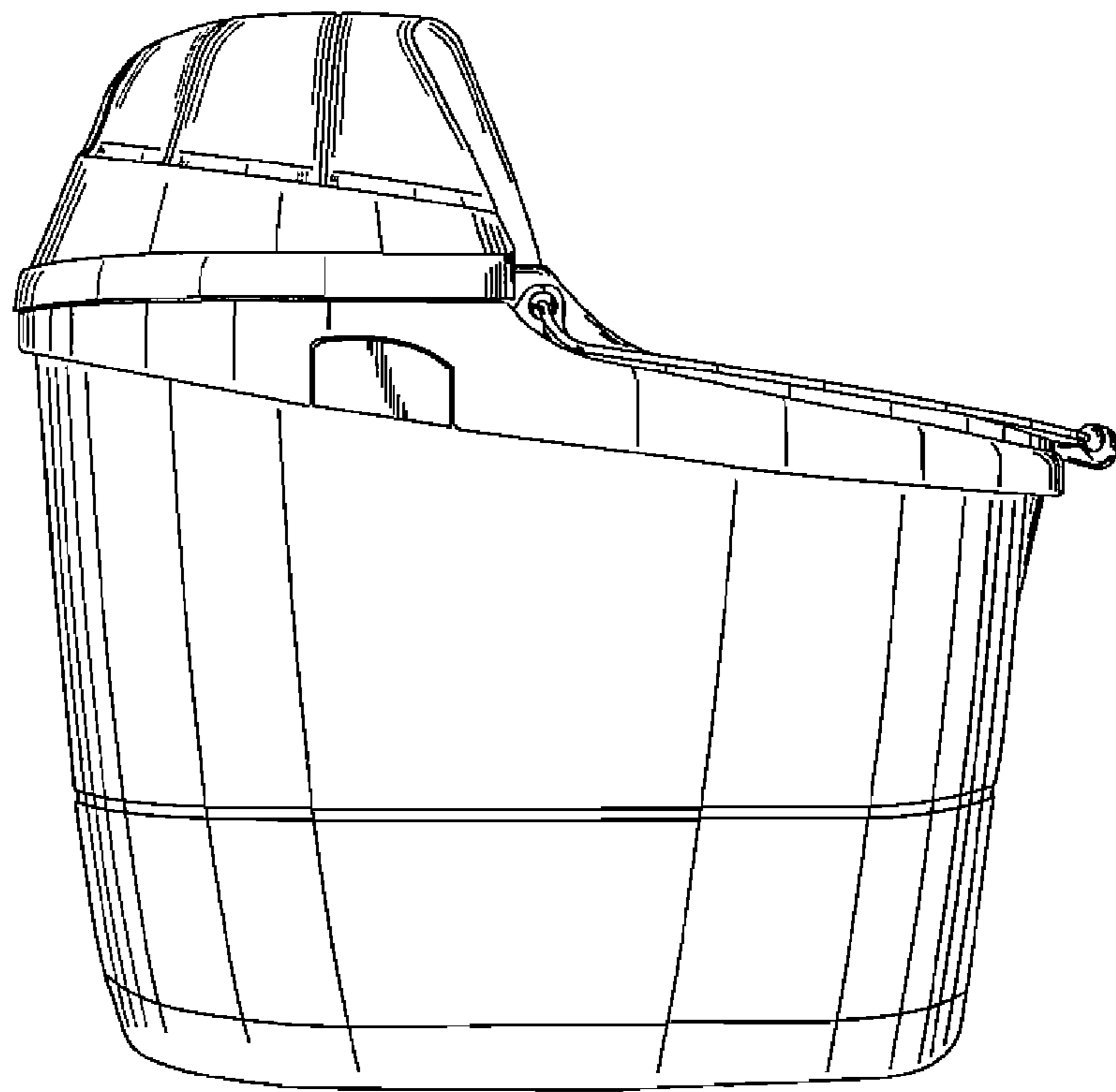


FIG. 4

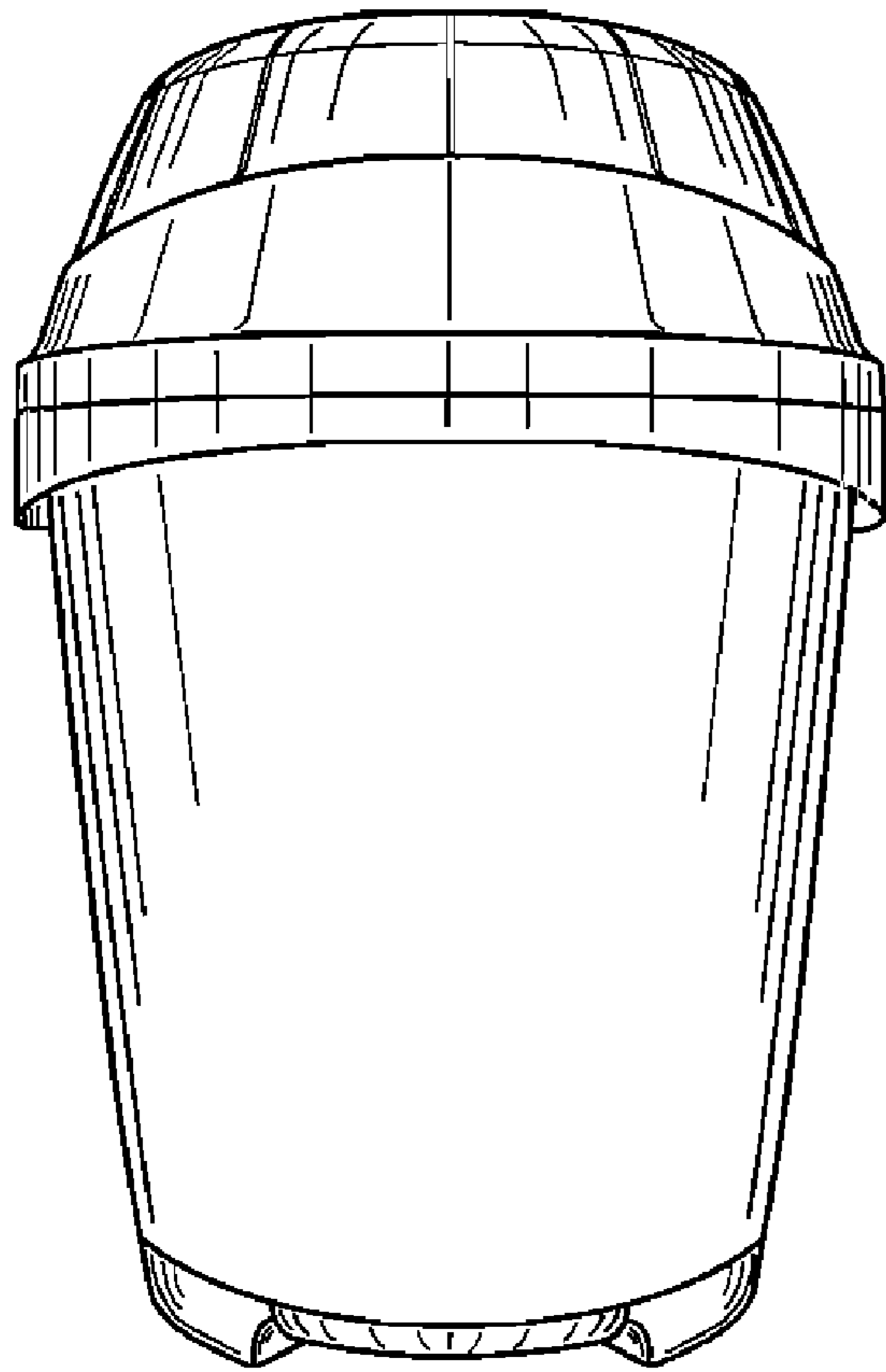


FIG. 5

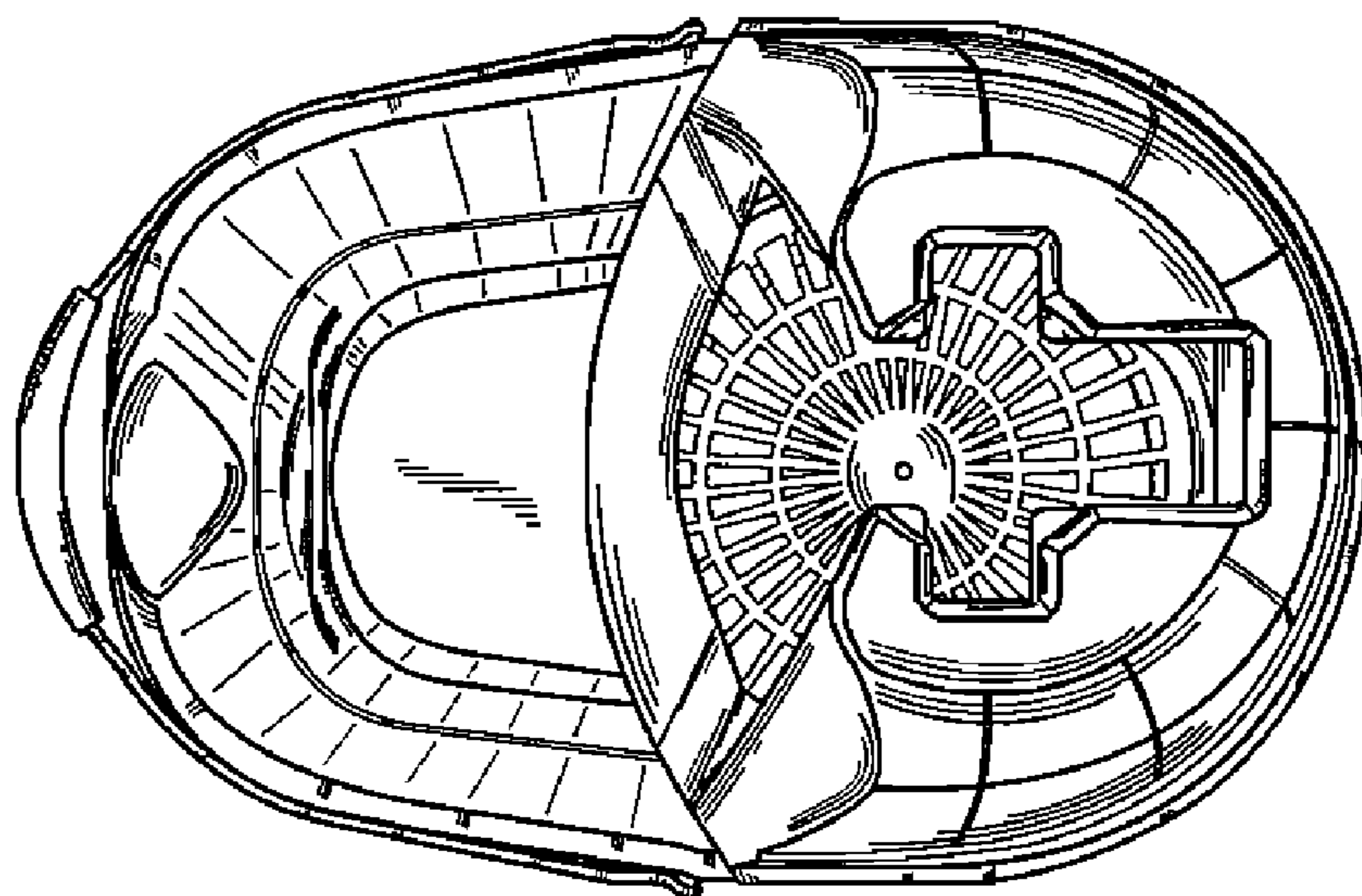


FIG. 6

