



US00D557469S

(12) **United States Design Patent**
Choi et al.

(10) **Patent No.:** **US D557,469 S**

(45) **Date of Patent:** **** Dec. 11, 2007**

(54) **VACUUM CLEANER**

(75) Inventors: **Kyu Kwan Choi**, Seoul (KR); **Hyun Seon Shin**, Gunpo-Si (KR)

(73) Assignee: **LG Electronics Inc.**, Seoul (KR)

(**) Term: **14 Years**

(21) Appl. No.: **29/261,896**

(22) Filed: **Jun. 22, 2006**

(30) **Foreign Application Priority Data**

May 16, 2006 (KR) 30-2006-0018164

(51) **LOC (8) Cl.** **15-05**

(52) **U.S. Cl.** **D32/21**

(58) **Field of Classification Search** D32/21,
D32/23-24, 31; 15/257.01, 301, 315, 319-321,
15/323, 327.1-327.7, 329, 336, 347, 352-353,
15/412; 55/337, 429, 345; 95/271; 210/512.1,
210/512.2; 701/23

See application file for complete search history.

(56) **References Cited**

U.S. PATENT DOCUMENTS

D445,226 S * 7/2001 Jupp D32/21

D448,128 S * 9/2001 Oh D32/21
D505,761 S * 5/2005 Gammack et al. D32/21
D518,611 S * 4/2006 Hare D32/21
D533,693 S * 12/2006 Lee D32/21
7,210,192 B2 * 5/2007 Ito et al. 15/327.7

* cited by examiner

Primary Examiner—Ruth McInroy

(74) *Attorney, Agent, or Firm*—Birch, Stewart, Kolasch & Birch, LLP

(57) **CLAIM**

The ornamental design for a vacuum cleaner, as shown.

DESCRIPTION

FIG. 1 is a perspective view of the vacuum cleaner showing our new design;

FIG. 2 is a front side view thereof;

FIG. 3 is a rear side view thereof;

FIG. 4 is a left side view thereof;

FIG. 5 is a right side view thereof;

FIG. 6 is a top view thereof; and,

FIG. 7 is a bottom view thereof.

1 Claim, 5 Drawing Sheets

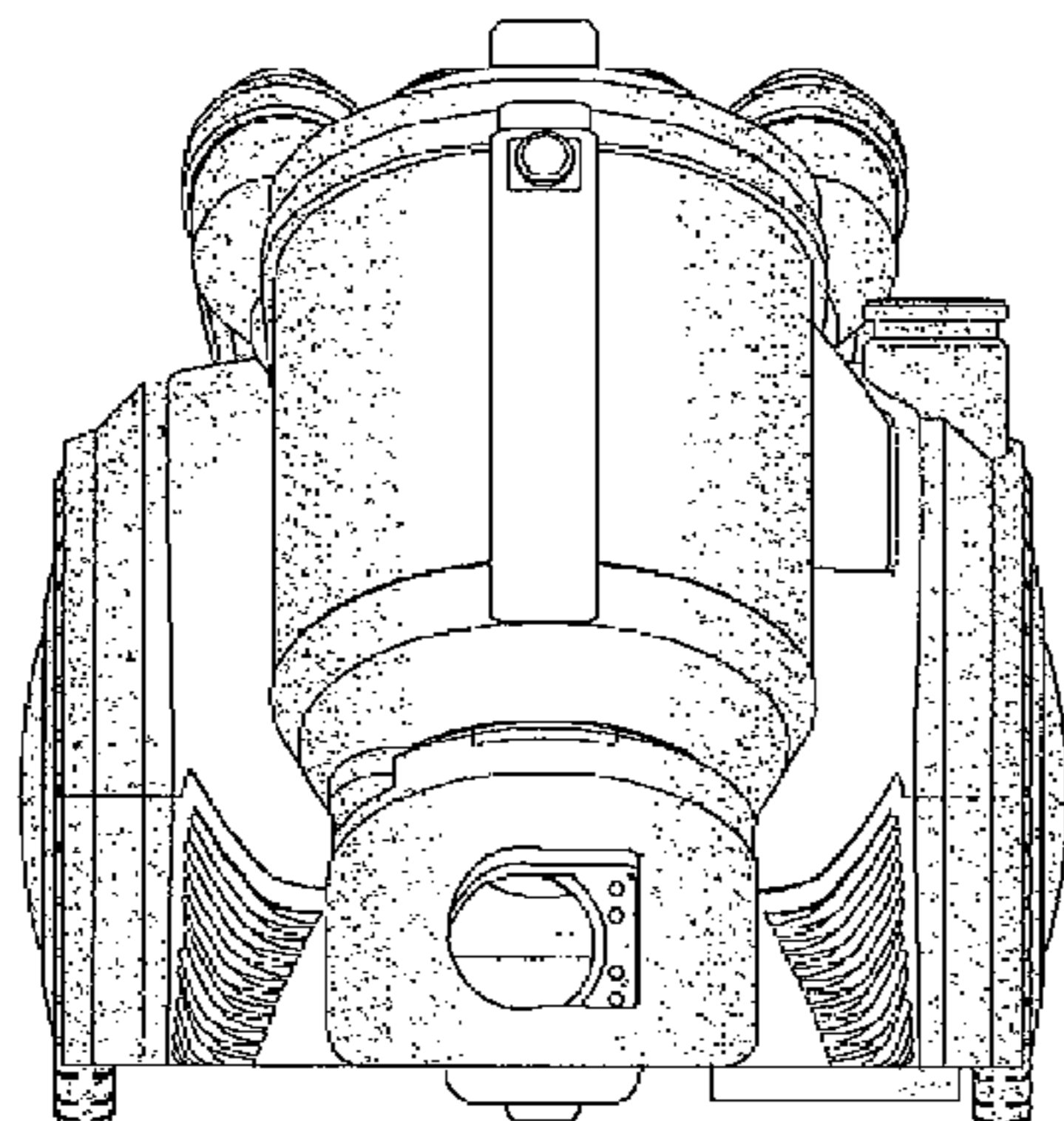
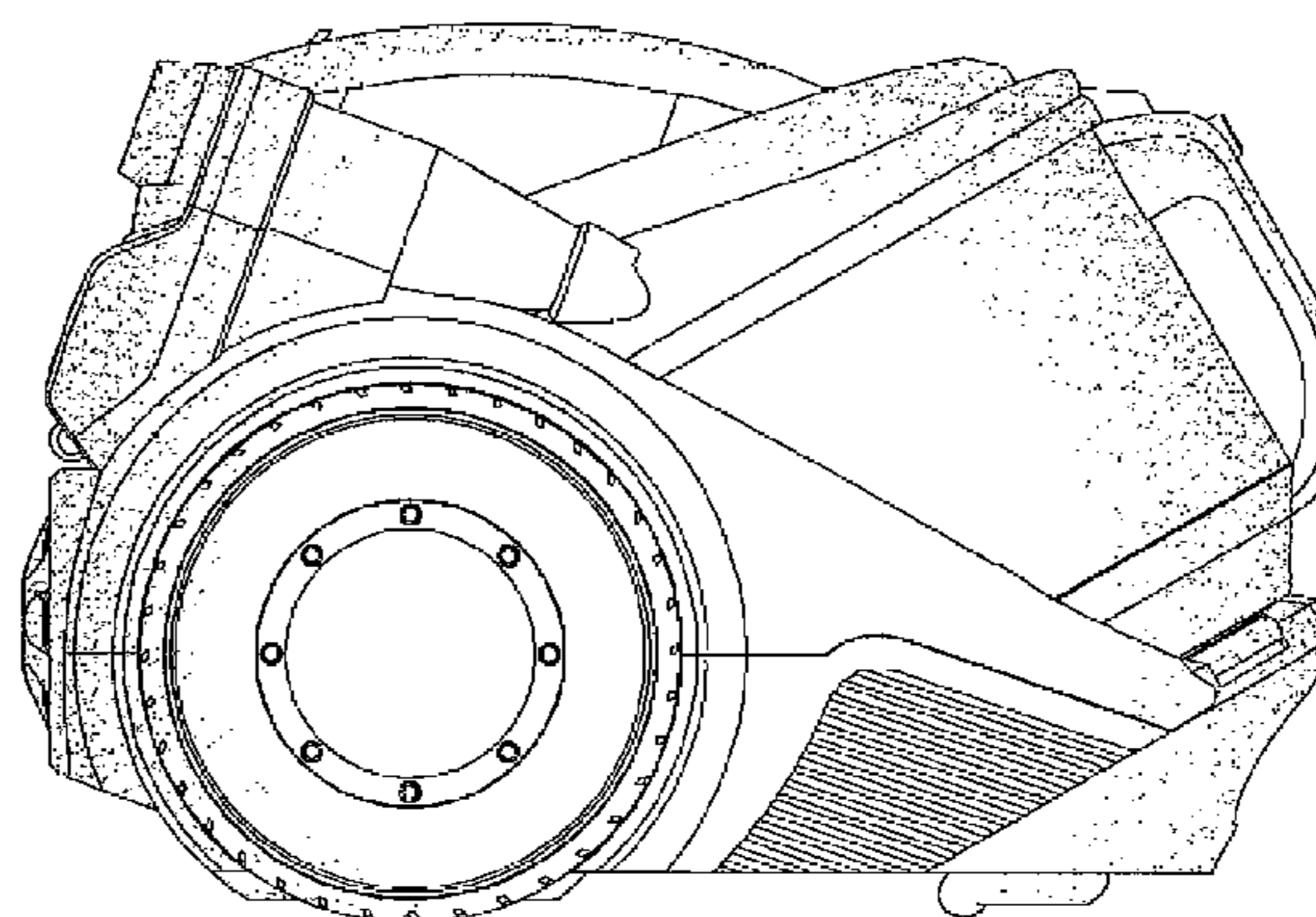
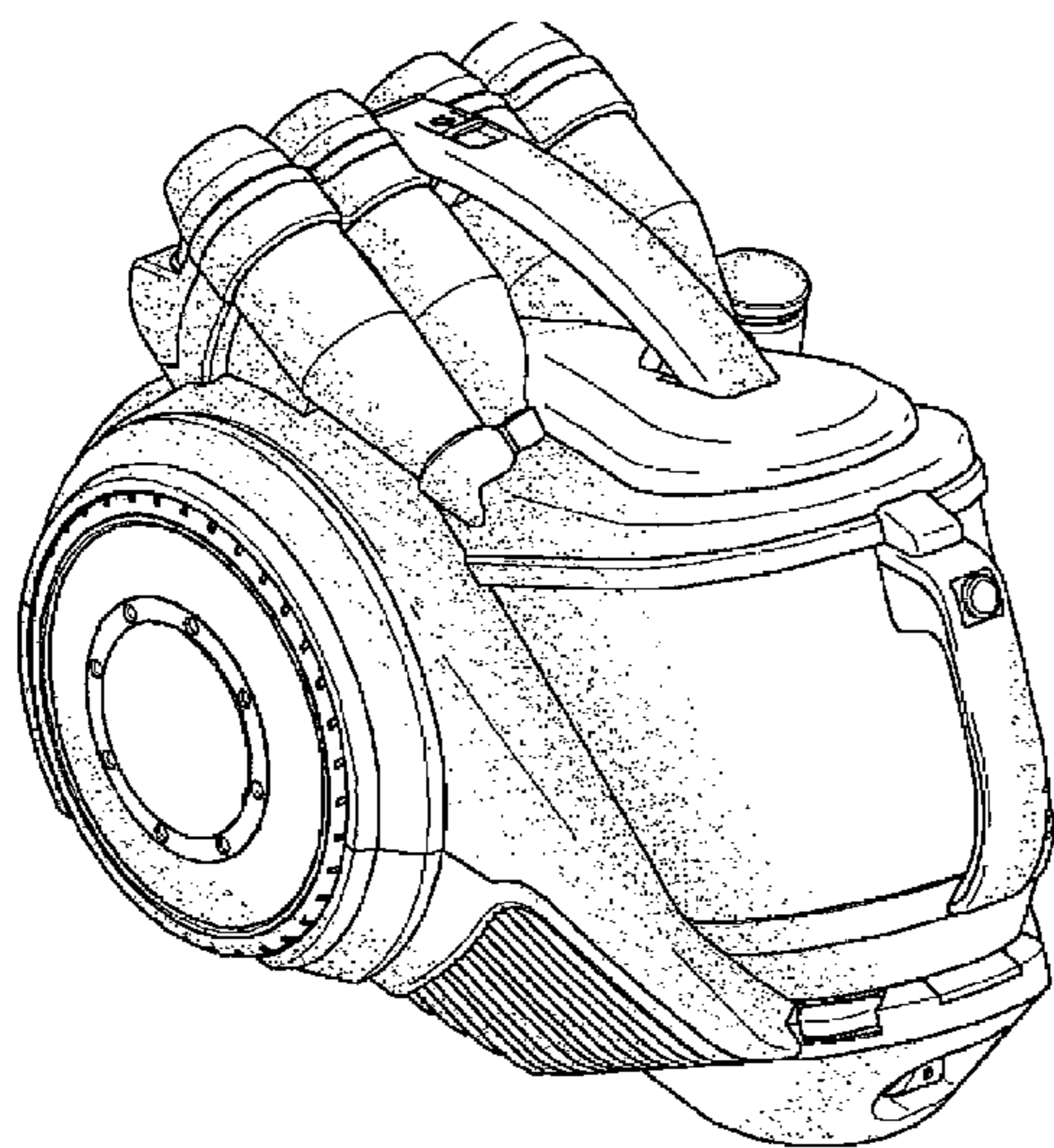


FIG. 1

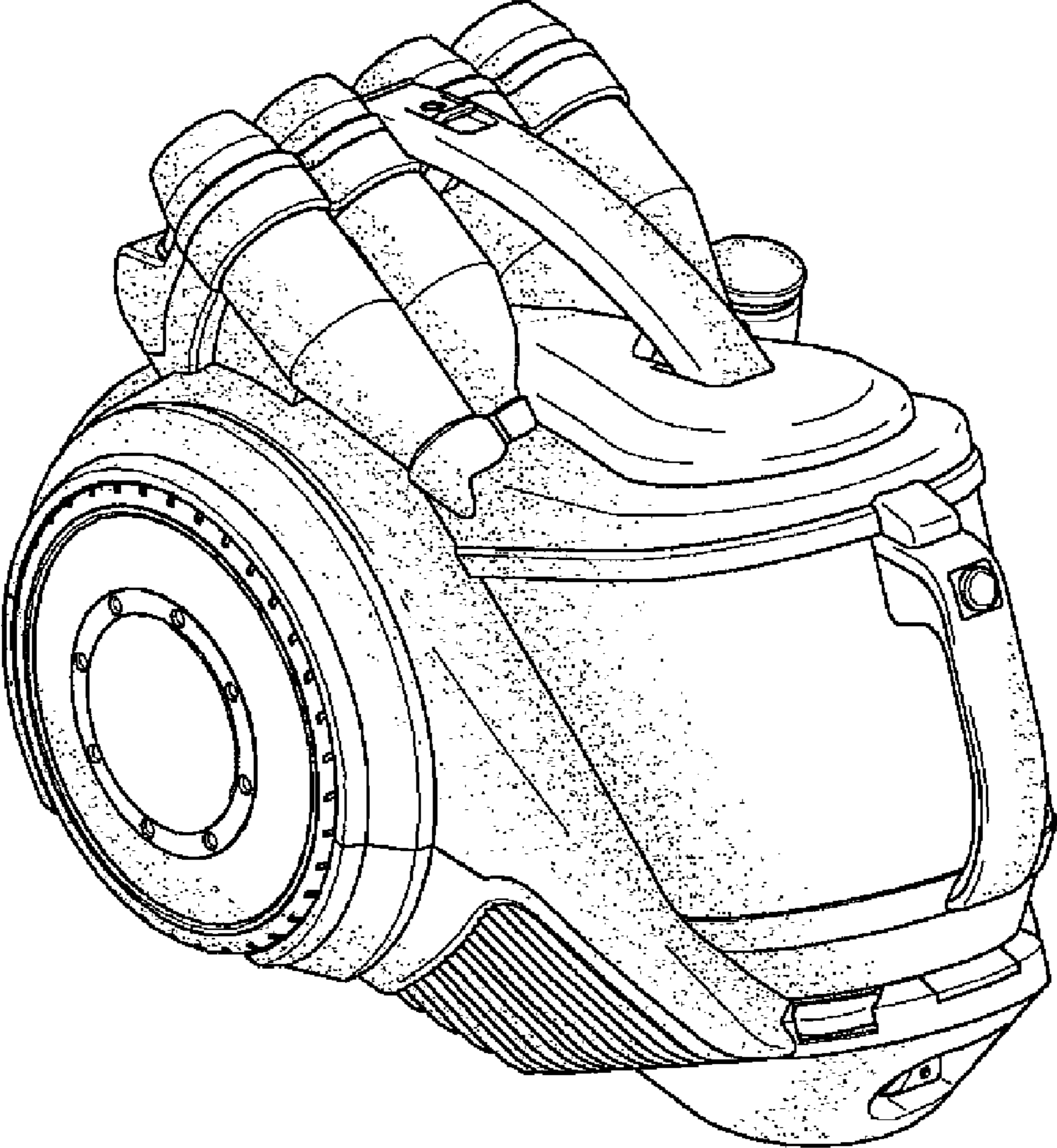


FIG. 2

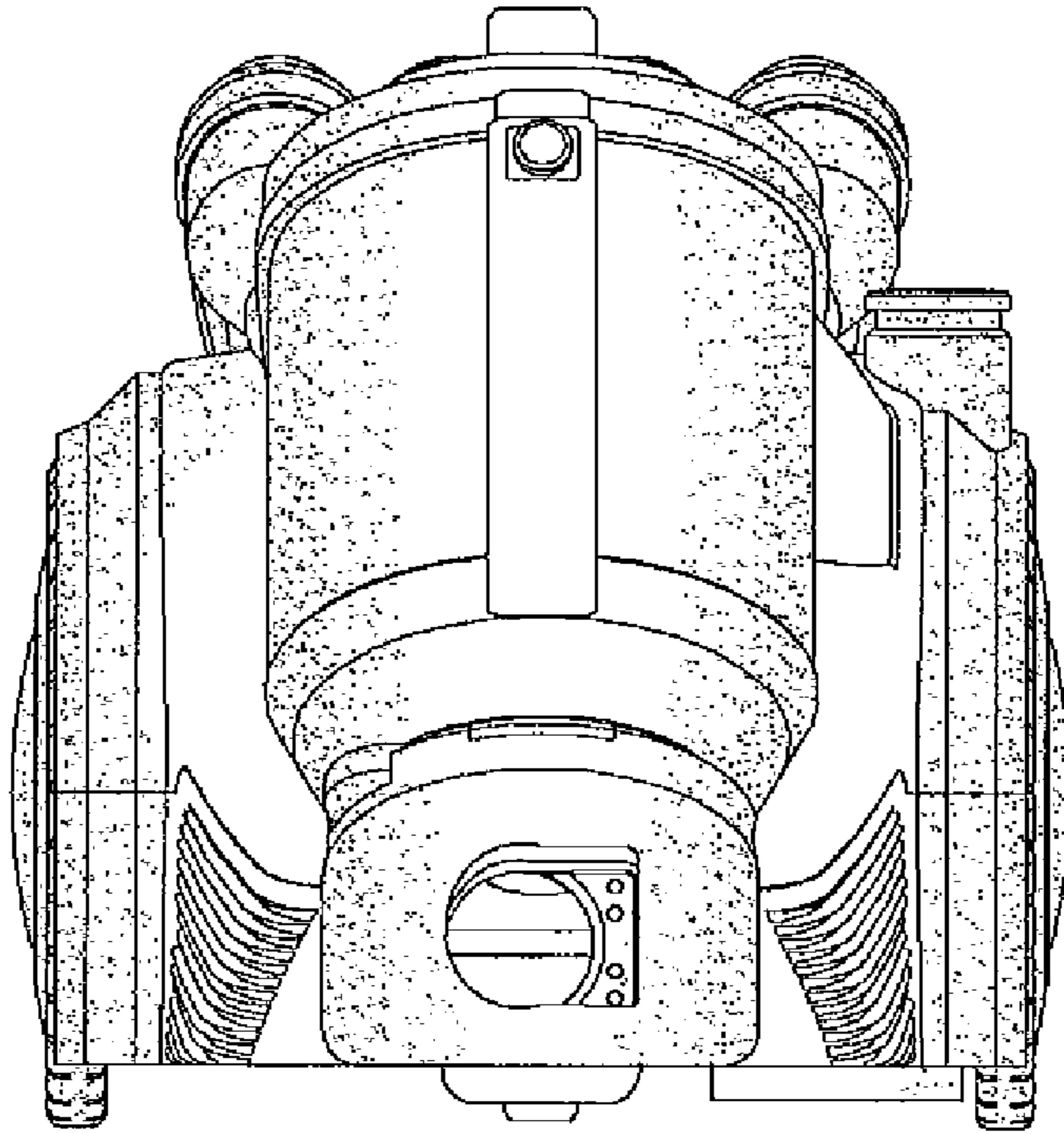


FIG. 3

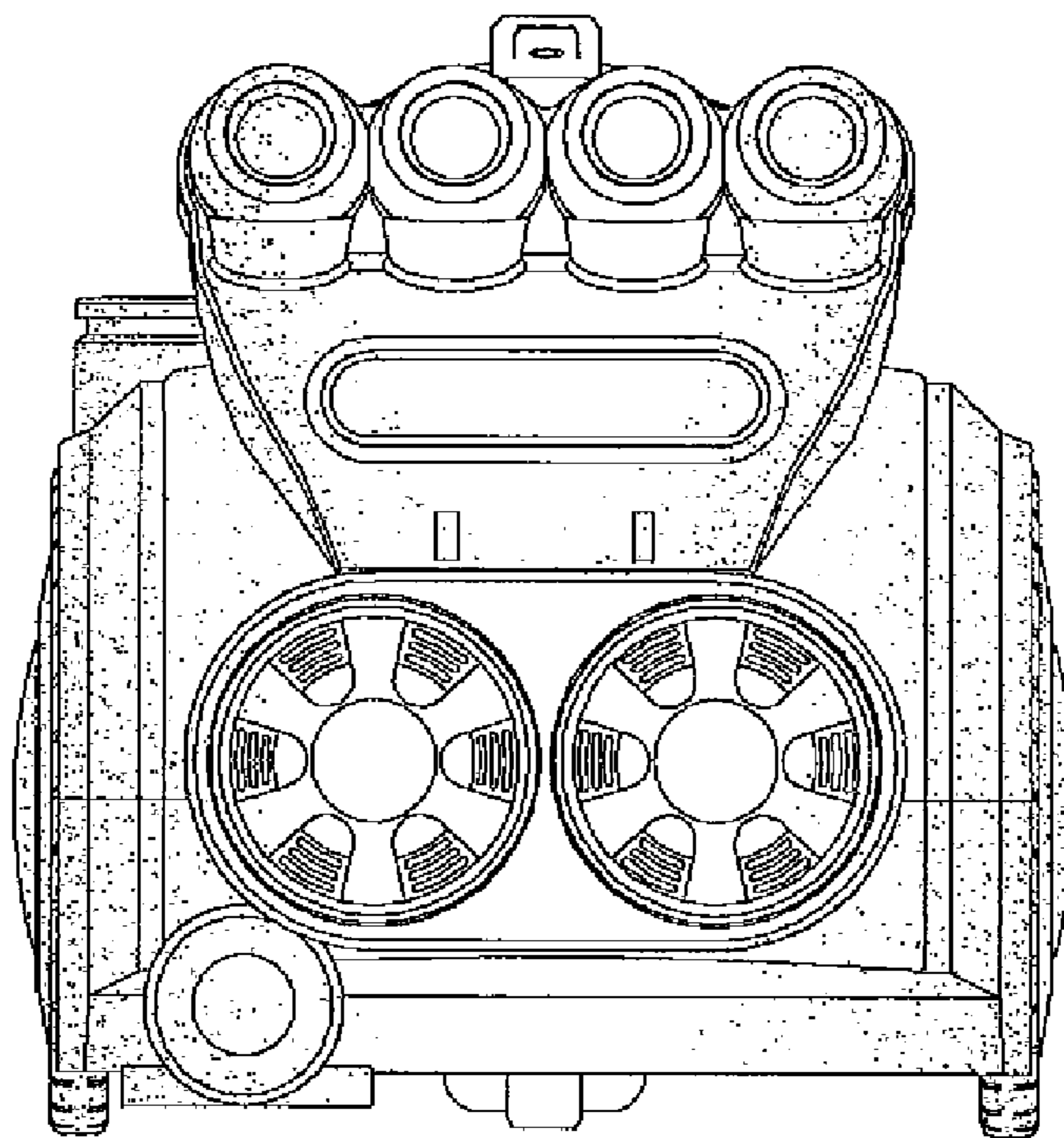


FIG. 4

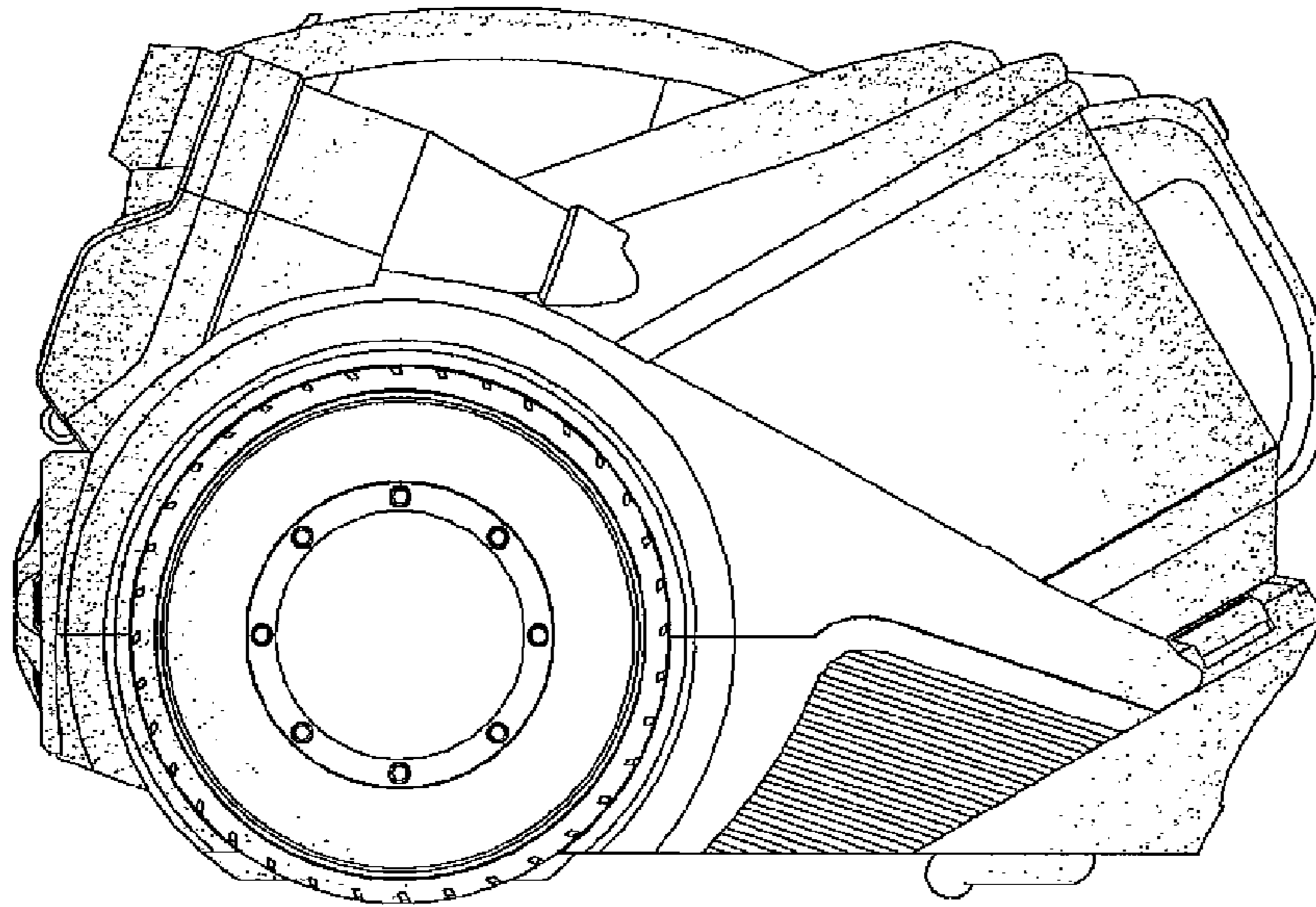


FIG. 5

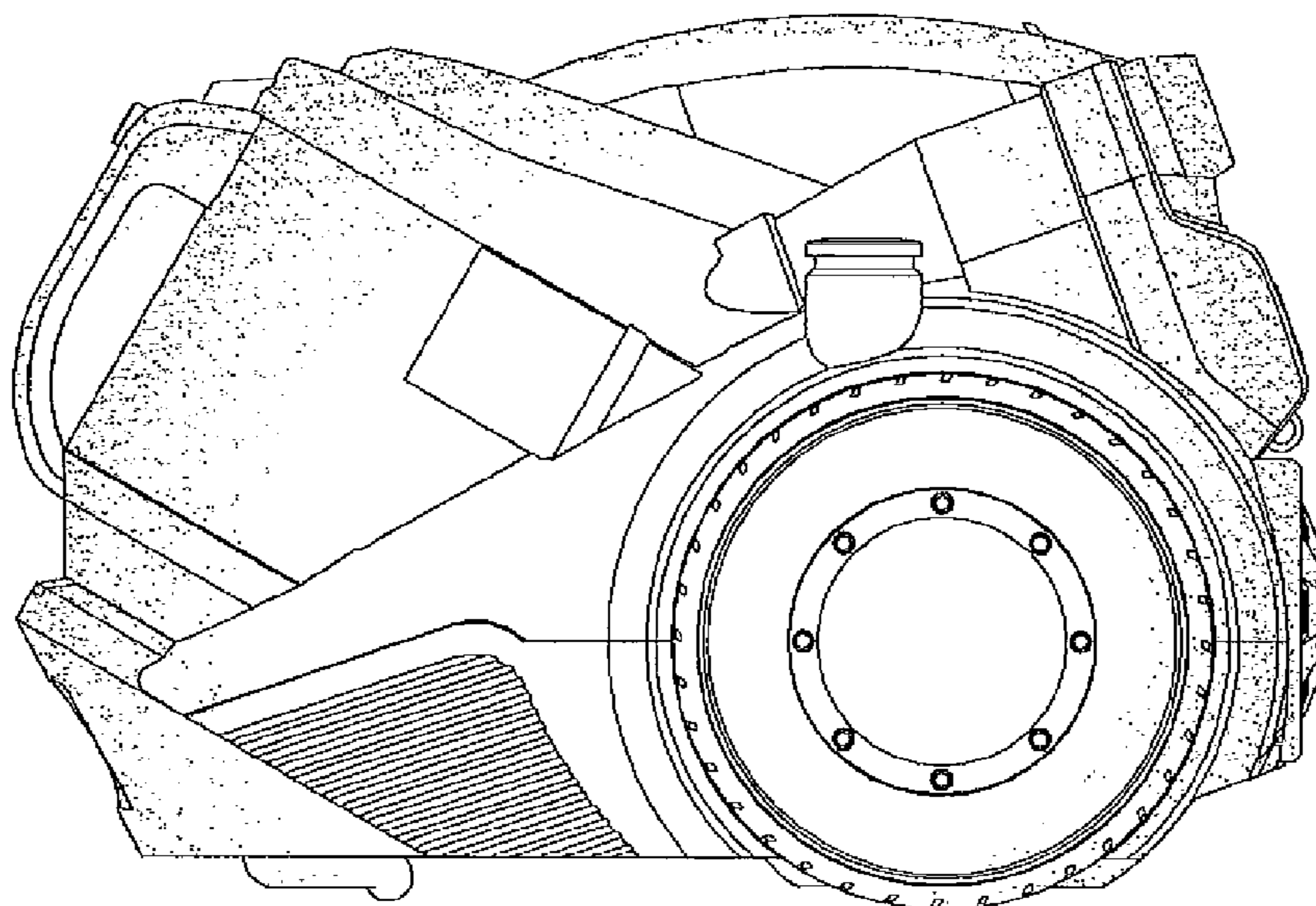


FIG. 6

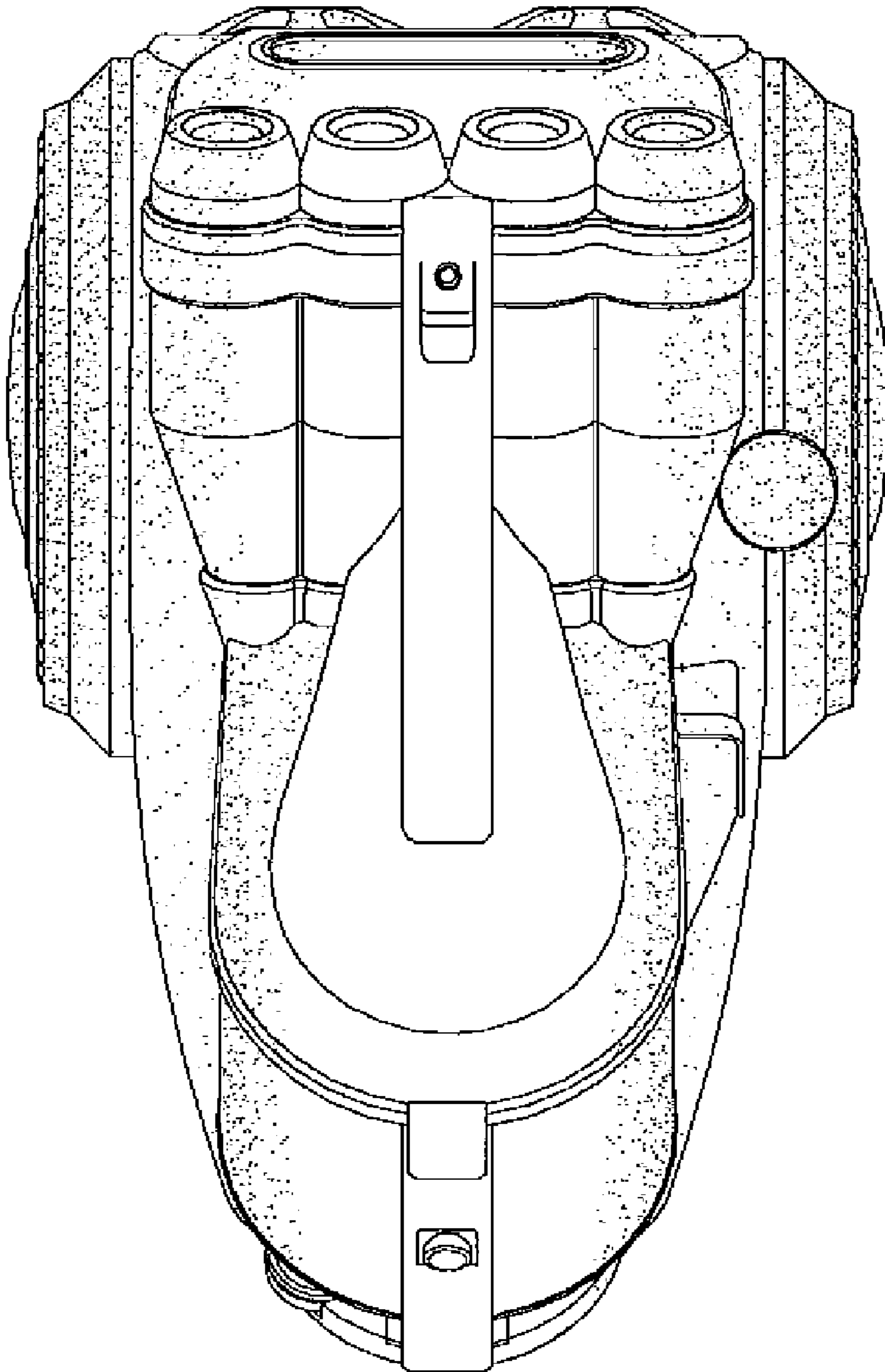


FIG. 7

