



US00D557466S

(12) **United States Design Patent**
Suh

(10) **Patent No.:** **US D557,466 S**

(45) **Date of Patent:** **** Dec. 11, 2007**

(54) **DRUM WASHING MACHINE**

D537,577 S * 2/2007 Nam et al. D32/6

(75) Inventor: **Bo Won Suh**, Gyeonggi-do (KR)

* cited by examiner

(73) Assignee: **LG Electronics Inc.**, Seoul (KR)

Primary Examiner—Louis S. Zarfaz

Assistant Examiner—Kathleen Sims

(**) Term: **14 Years**

(74) *Attorney, Agent, or Firm*—Birch, Stewart, Kolasch & Birch, LLP

(21) Appl. No.: **29/268,185**

(22) Filed: **Nov. 1, 2006**

(57) **CLAIM**

The ornamental design for a drum washing machine, as shown and described.

(30) **Foreign Application Priority Data**

May 2, 2006 (KR) 30-2006-0016409

DESCRIPTION

(51) **LOC (8) Cl.** **15-05**

FIG. 1 is a front, right perspective view of the drum washing machine showing my new design;

(52) **U.S. Cl.** **D32/6**

FIG. 2 is a front view thereof,

(58) **Field of Classification Search** D32/1,

D32/5-10, 25, 28; 68/3 R, 5 R, 12.01, 4,

68/212; 34/523-524; 312/31; 38/1 A

See application file for complete search history.

FIG. 3 is a rear view thereof,

FIG. 4 is a left side view thereof,

FIG. 5 is a right side view thereof,

FIG. 6 is a top plan view thereof;

FIG. 7 is a bottom view thereof; and,

FIG. 8 is a perspective view showing the door in an open position.

(56) **References Cited**

U.S. PATENT DOCUMENTS

D518,608 S * 4/2006 Kim et al. D32/6

D520,686 S * 5/2006 Jeon et al. D32/6

D524,493 S * 7/2006 Choi et al. D32/6

D527,151 S * 8/2006 Jung et al. D32/8

D528,711 S * 9/2006 Jung et al. D32/6

1 Claim, 8 Drawing Sheets

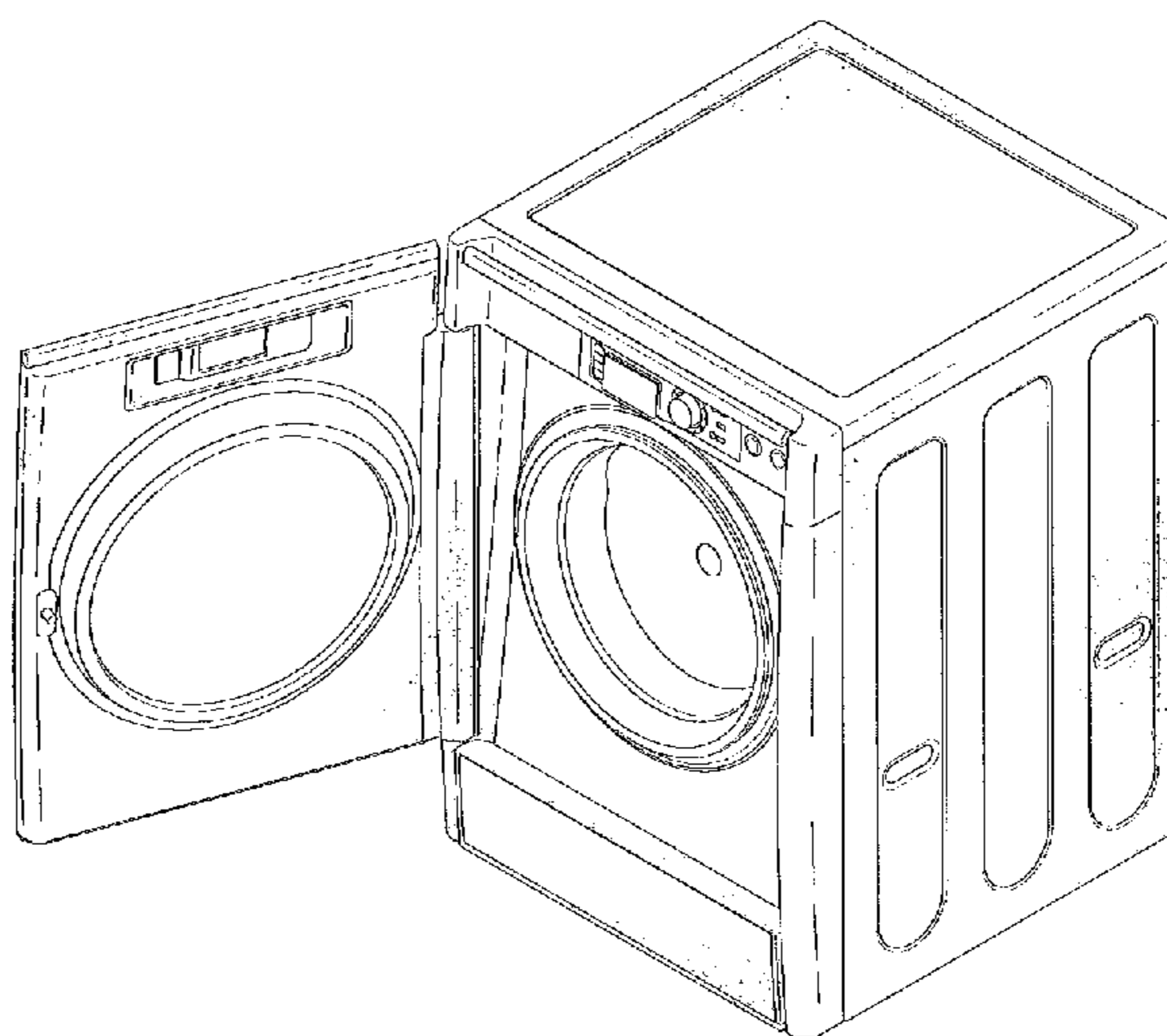
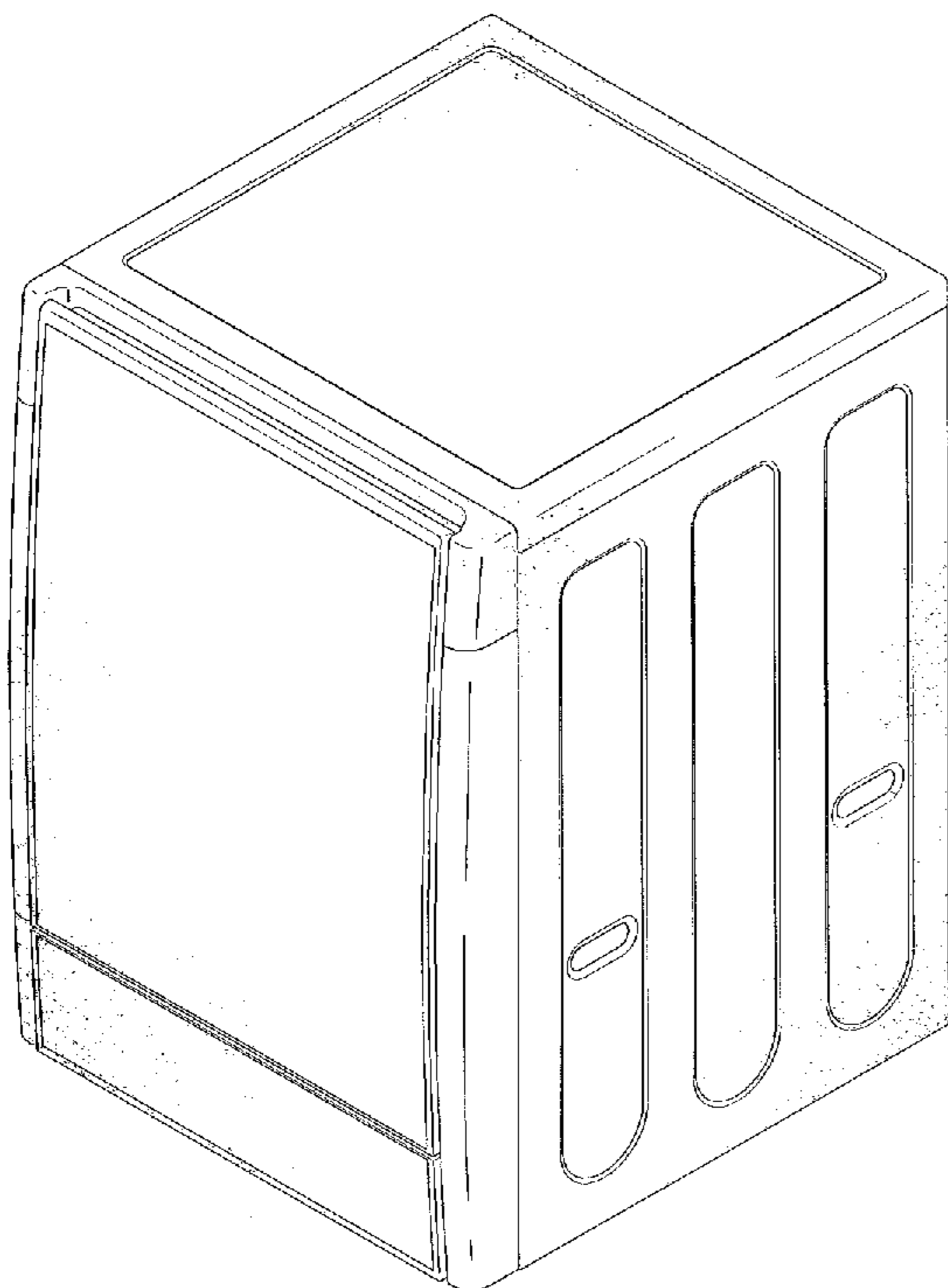


Figure 1

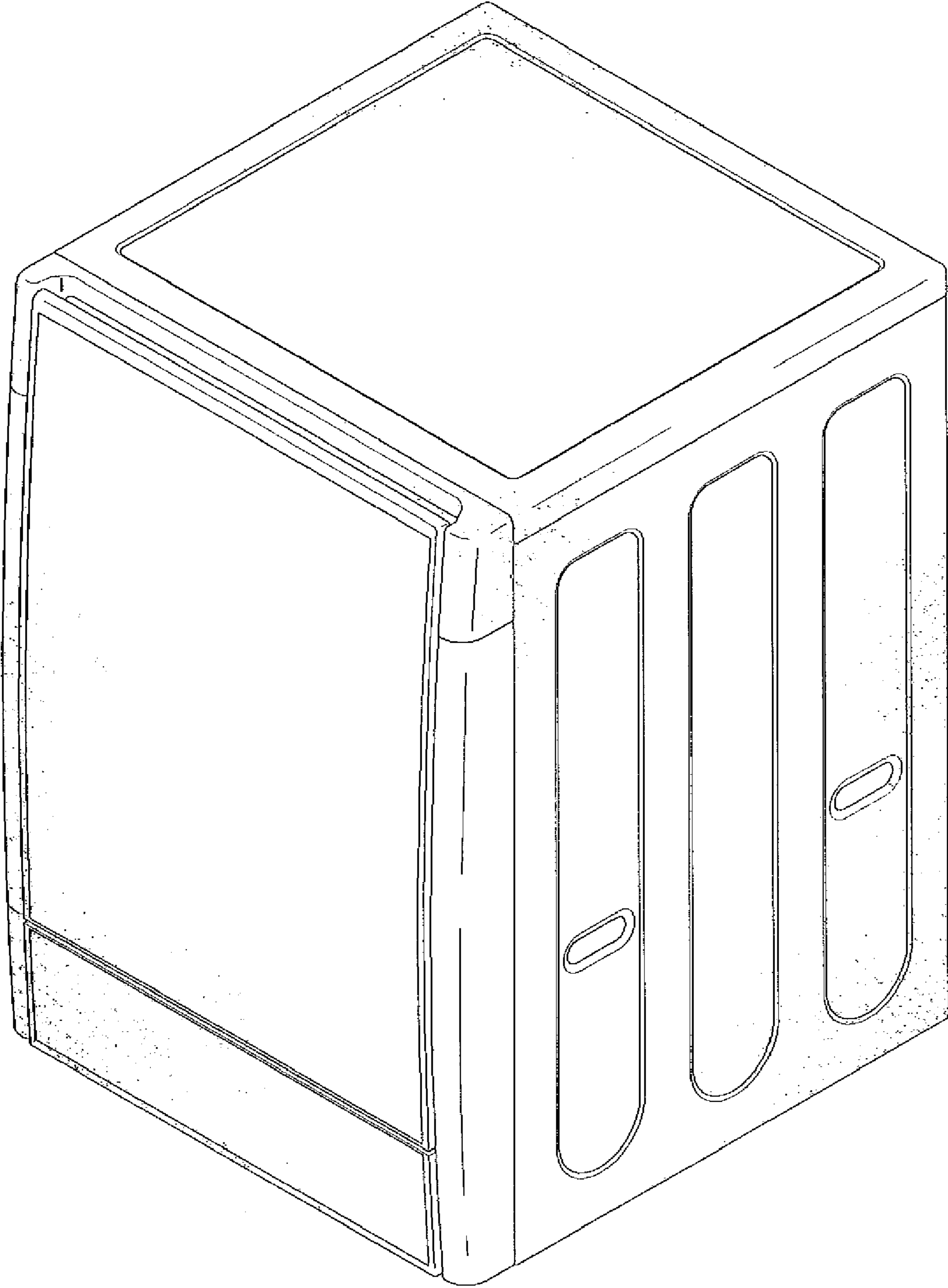


Figure 2

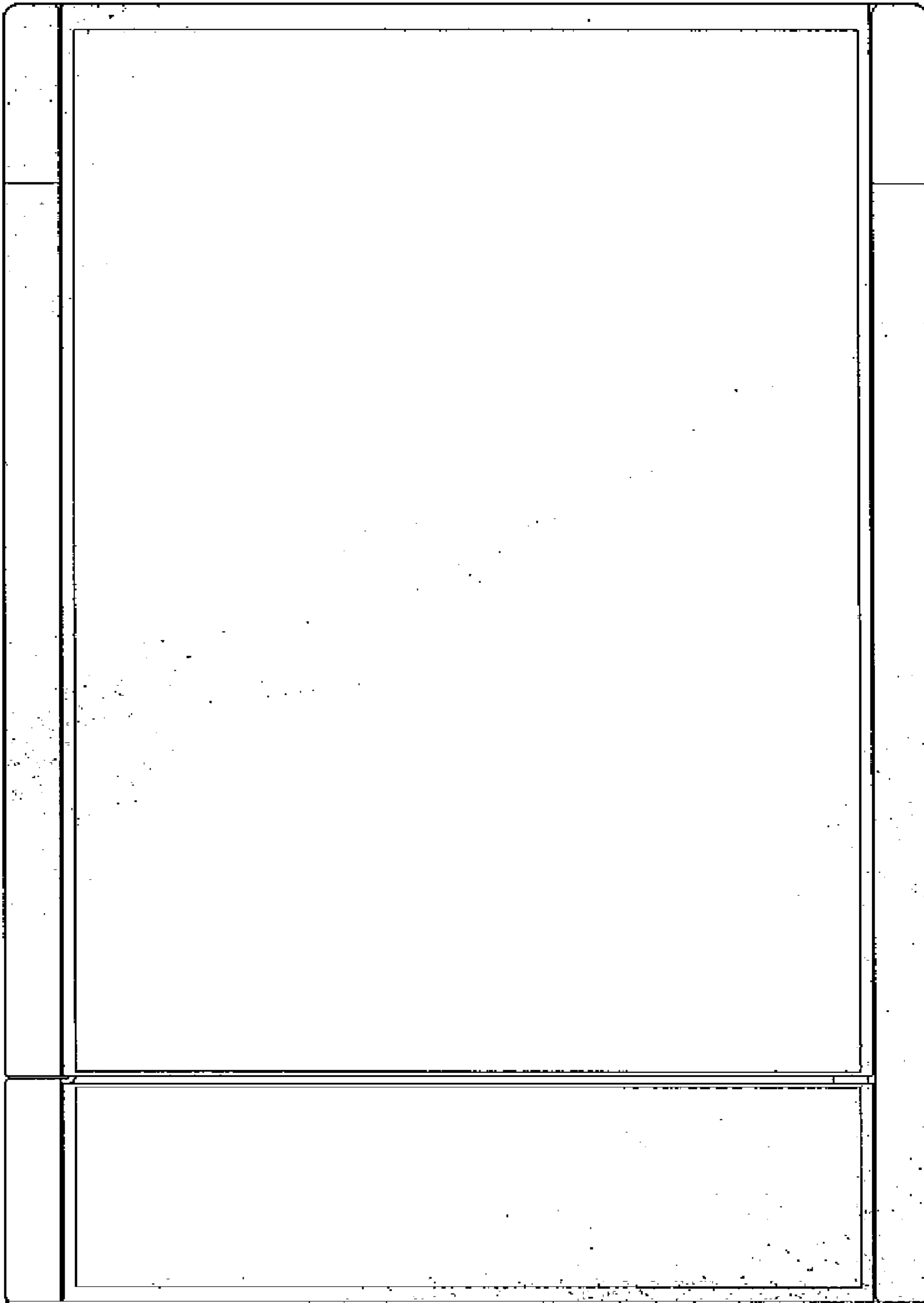


Figure 3

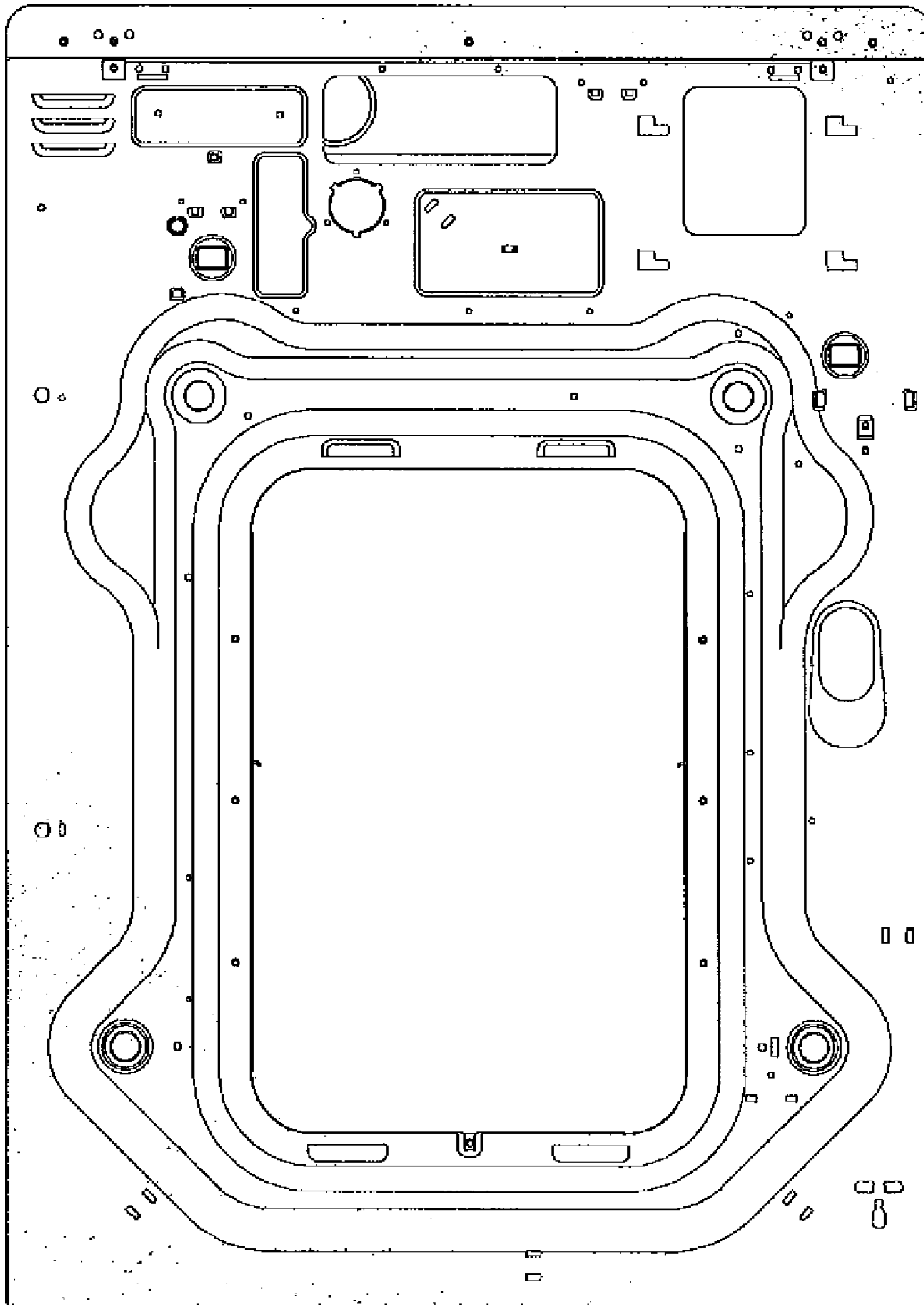


Figure 4

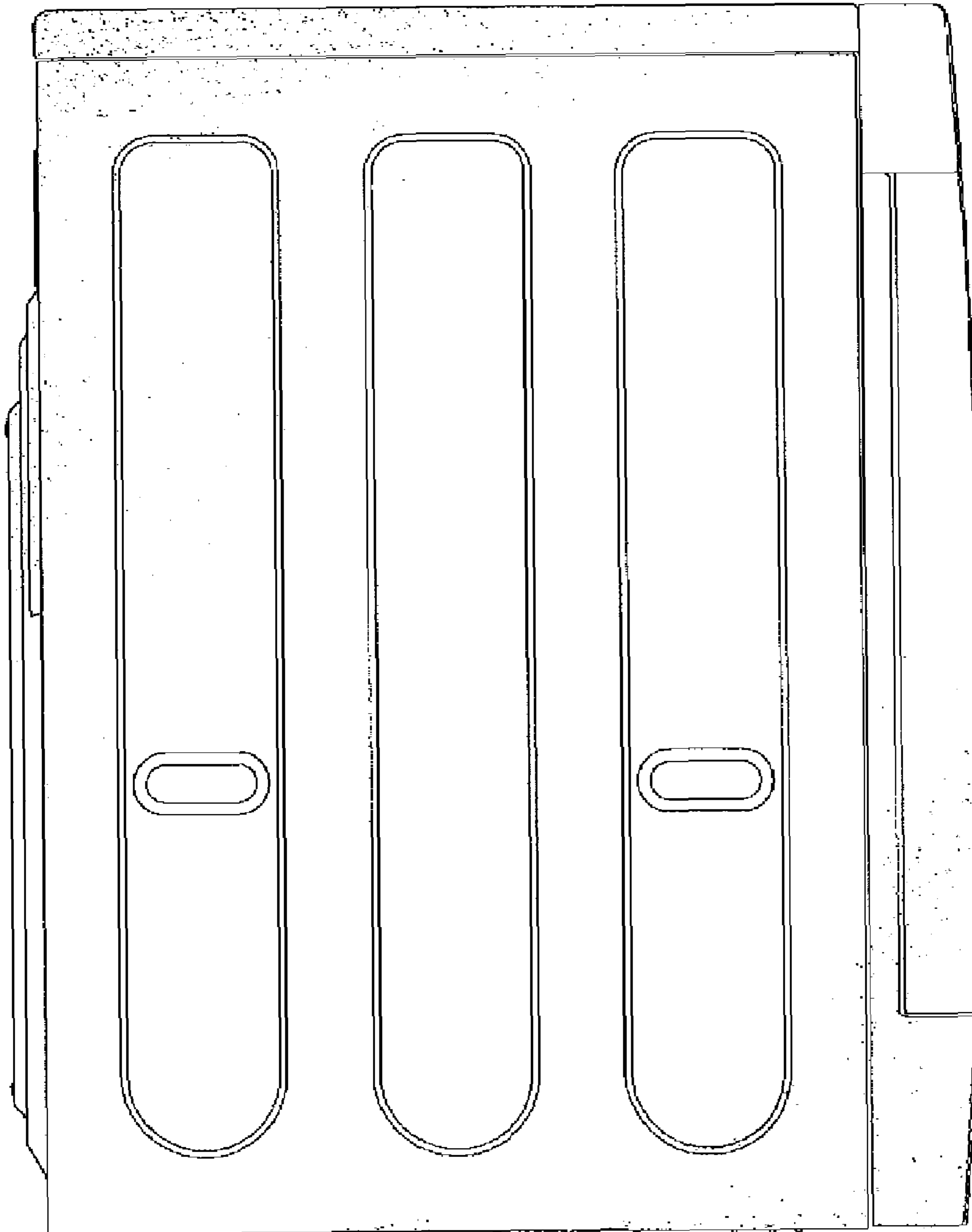


Figure 5

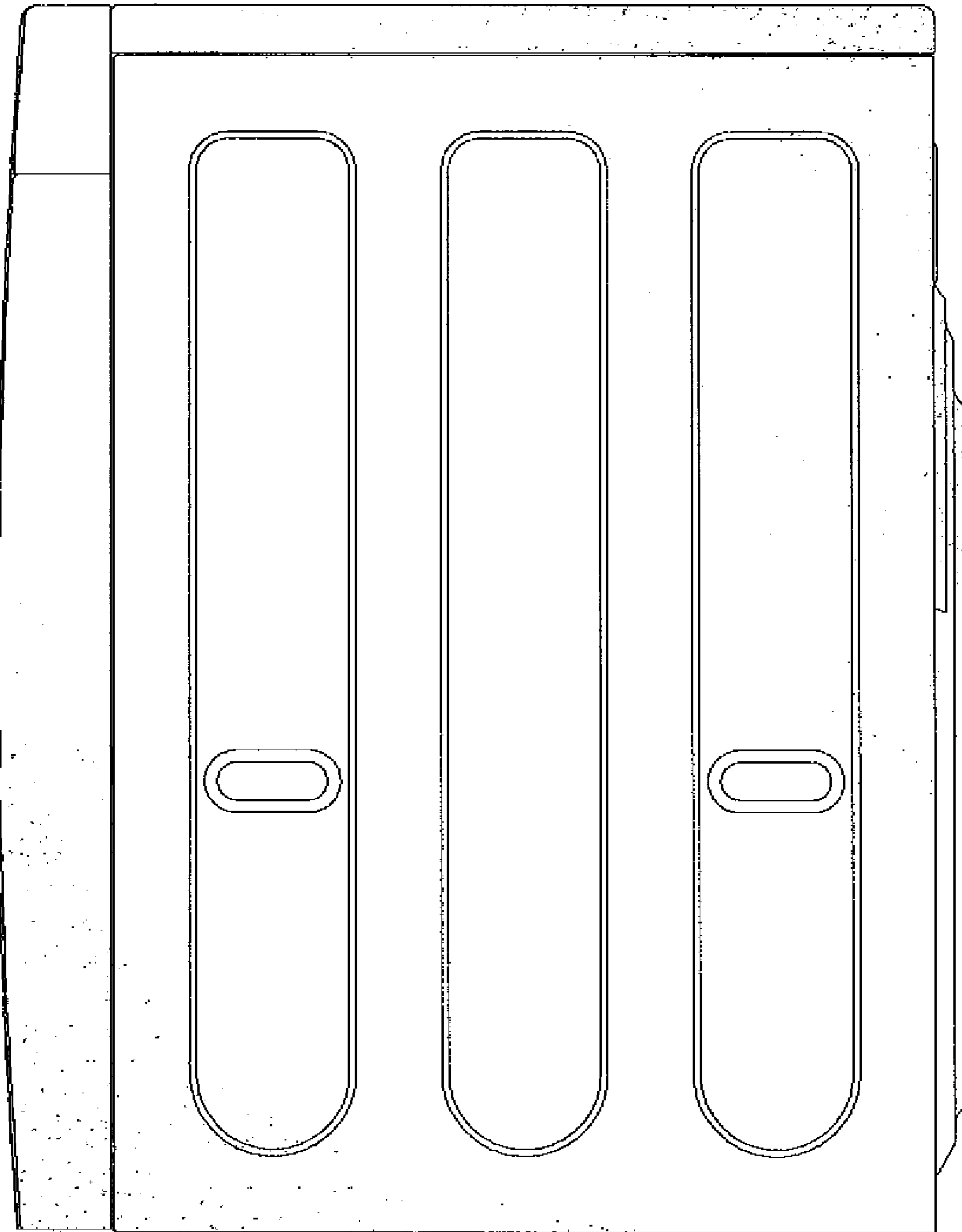


Figure 6

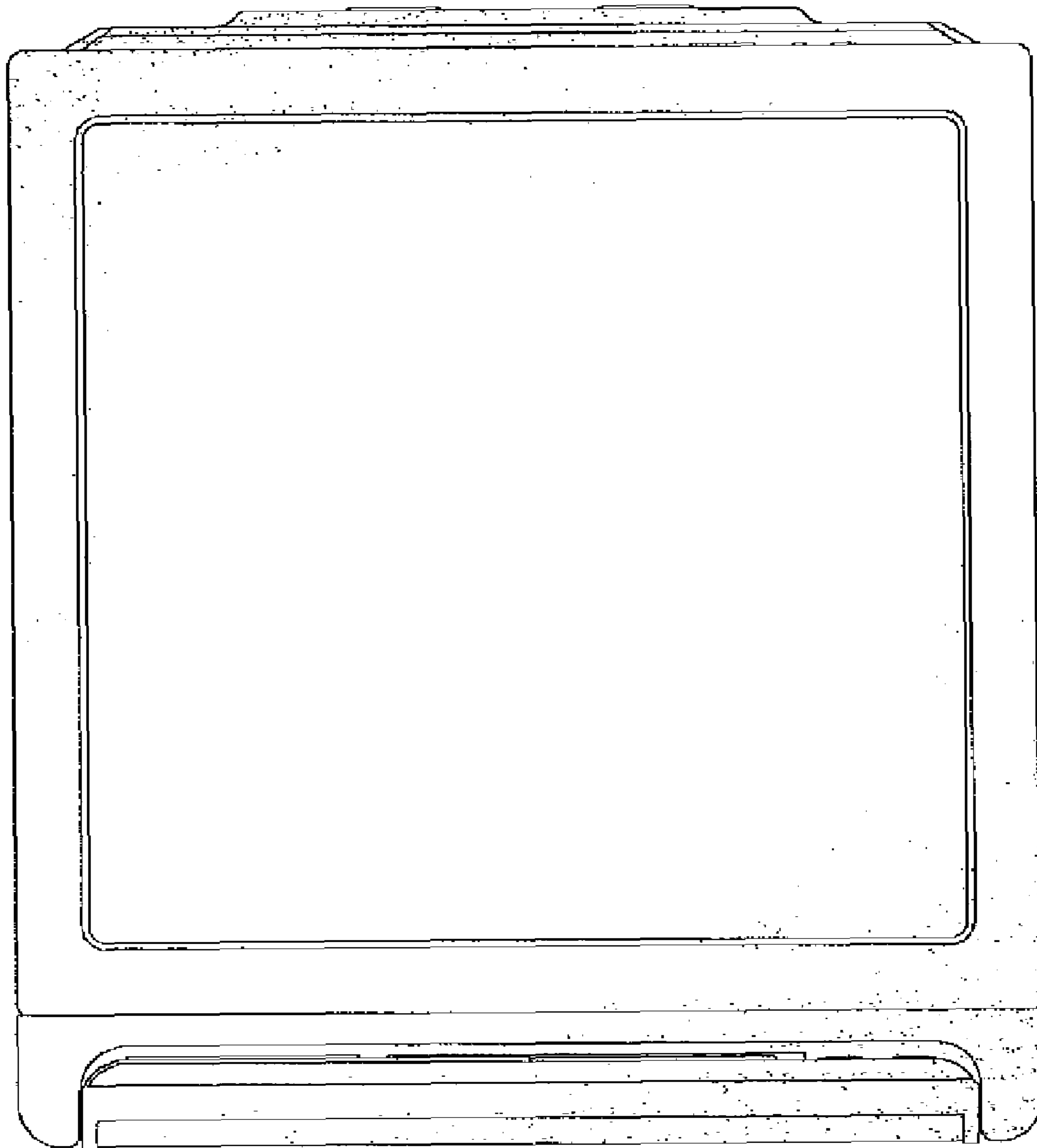


Figure 7

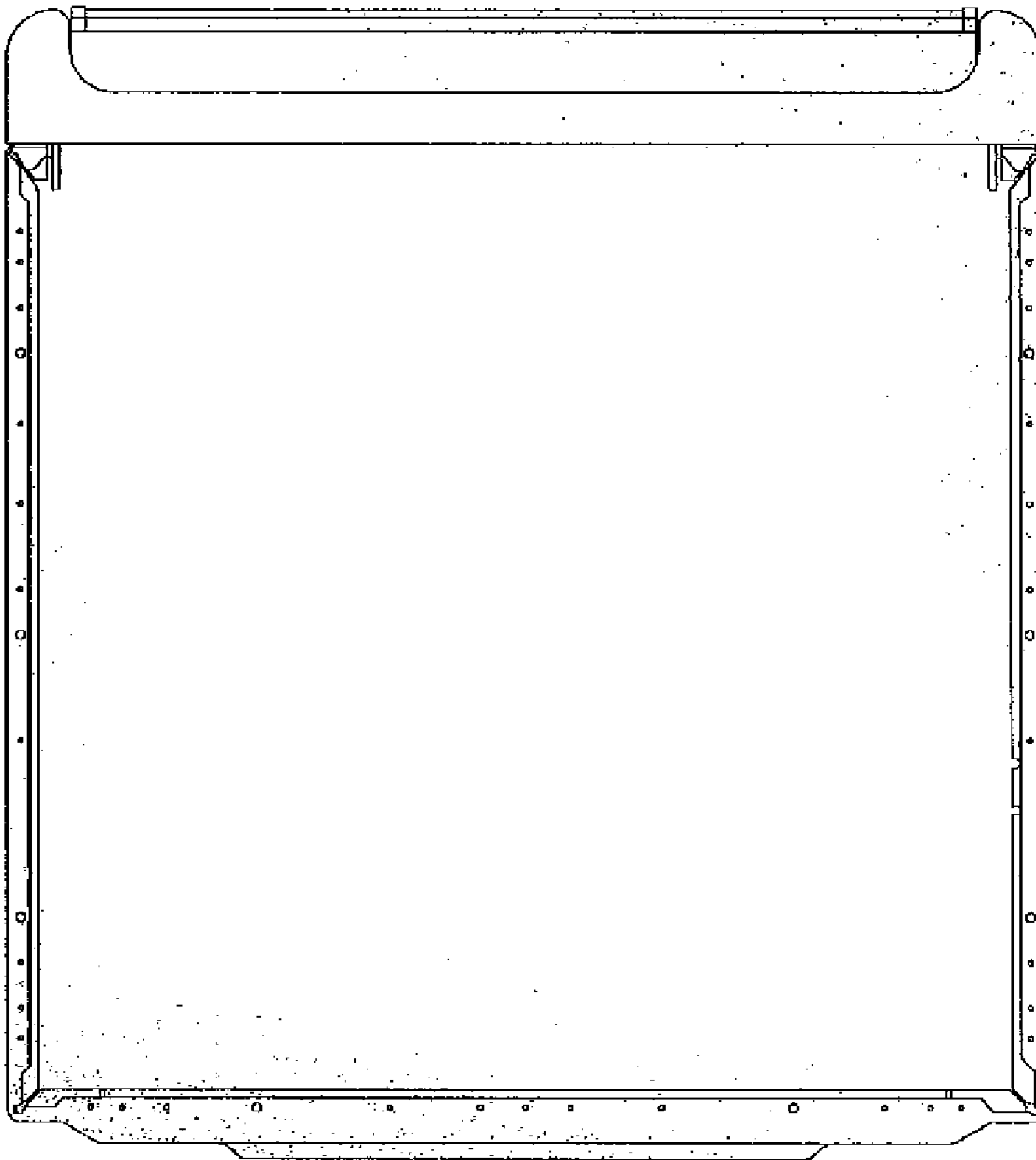


Figure 8

