



US00D557465S

(12) **United States Design Patent**  
**Kim**

(10) **Patent No.:** **US D557,465 S**

(45) **Date of Patent:** **\*\* Dec. 11, 2007**

(54) **DRUM WASHING MACHINE**

(75) Inventor: **Myung Shik Kim**, Seoul (KR)

(73) Assignee: **LG Electronics Inc.**, Seoul (KR)

(\*\*) Term: **14 Years**

(21) Appl. No.: **29/268,183**

(22) Filed: **Nov. 1, 2006**

(30) **Foreign Application Priority Data**

May 2, 2006 (KR) ..... 30-2006-0016408

(51) **LOC (8) Cl.** ..... **15-05**

(52) **U.S. Cl.** ..... **D32/6**

(58) **Field of Classification Search** ..... D32/1,  
D32/5-10, 25, 58; 68/3 R, 5 R, 12.01, 4,  
68/212; 34/523-524; 312/31; 38/1 A  
See application file for complete search history.

(56) **References Cited**

**U.S. PATENT DOCUMENTS**

- D518,608 S \* 4/2006 Kim et al. .... D32/6
- D519,691 S \* 4/2006 Kim et al. .... D32/6
- D520,686 S \* 5/2006 Jeon et al. .... D32/6

- D527,151 S \* 8/2006 Jung et al. .... D32/8
- D528,711 S \* 9/2006 Jung et al. .... D32/6
- D537,577 S \* 2/2007 Nam et al. .... D32/6

\* cited by examiner

*Primary Examiner*—Louis S. Zarfes

*Assistant Examiner*—Kathleen Sims

(74) *Attorney, Agent, or Firm*—Birch, Stewart, Kolasch & Birch, LLP

(57) **CLAIM**

The ornamental design for a drum washing machine, as shown and described.

**DESCRIPTION**

FIG. 1 is a front, right perspective view of the drum washing machine showing my new design;

FIG. 2 is a front view thereof;

FIG. 3 is a rear view thereof;

FIG. 4 is a left side view thereof;

FIG. 5 is a right side view thereof;

FIG. 6 is a top plan view thereof, and,

FIG. 7 is a bottom view thereof.

**1 Claim, 7 Drawing Sheets**

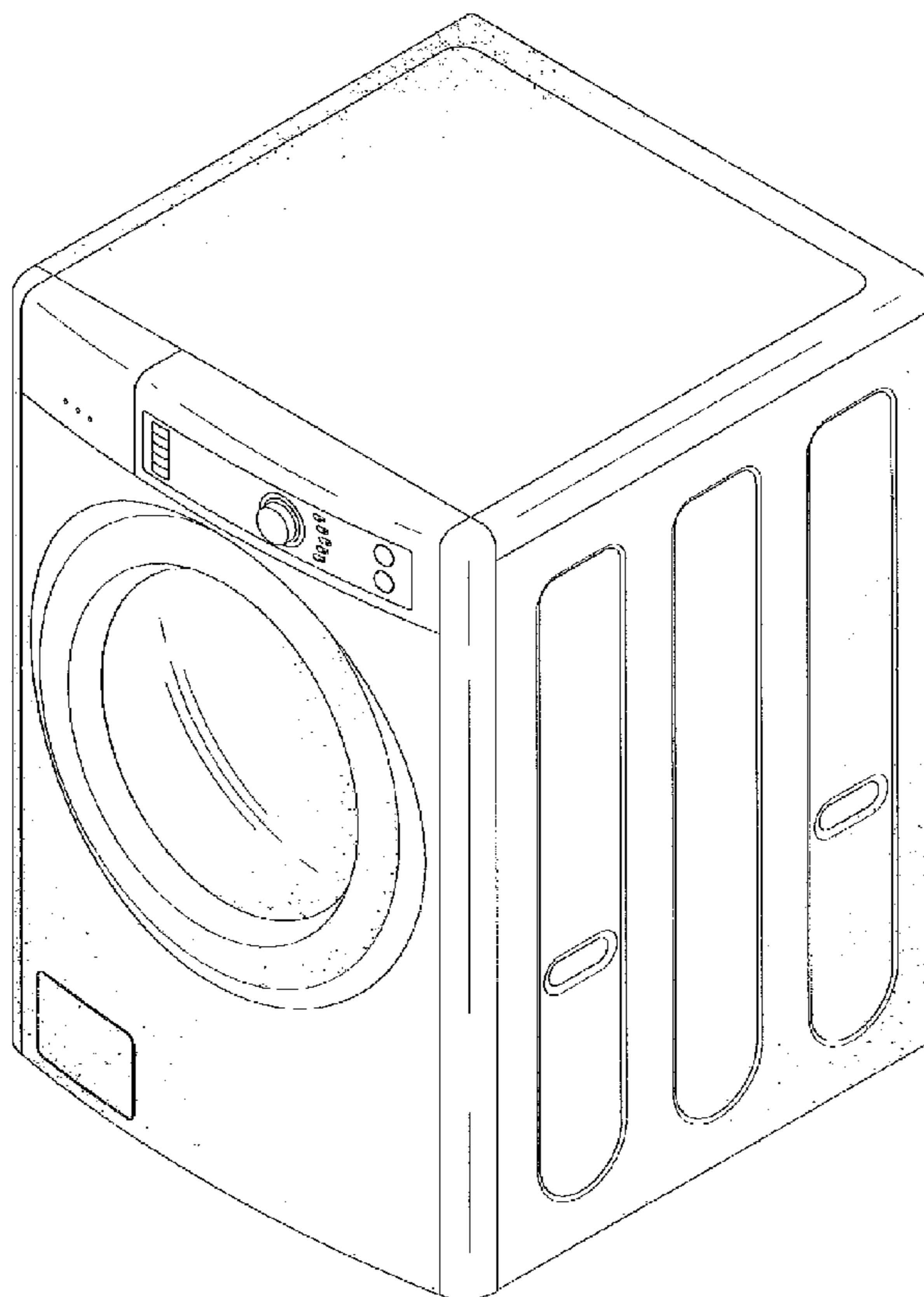


Figure 1

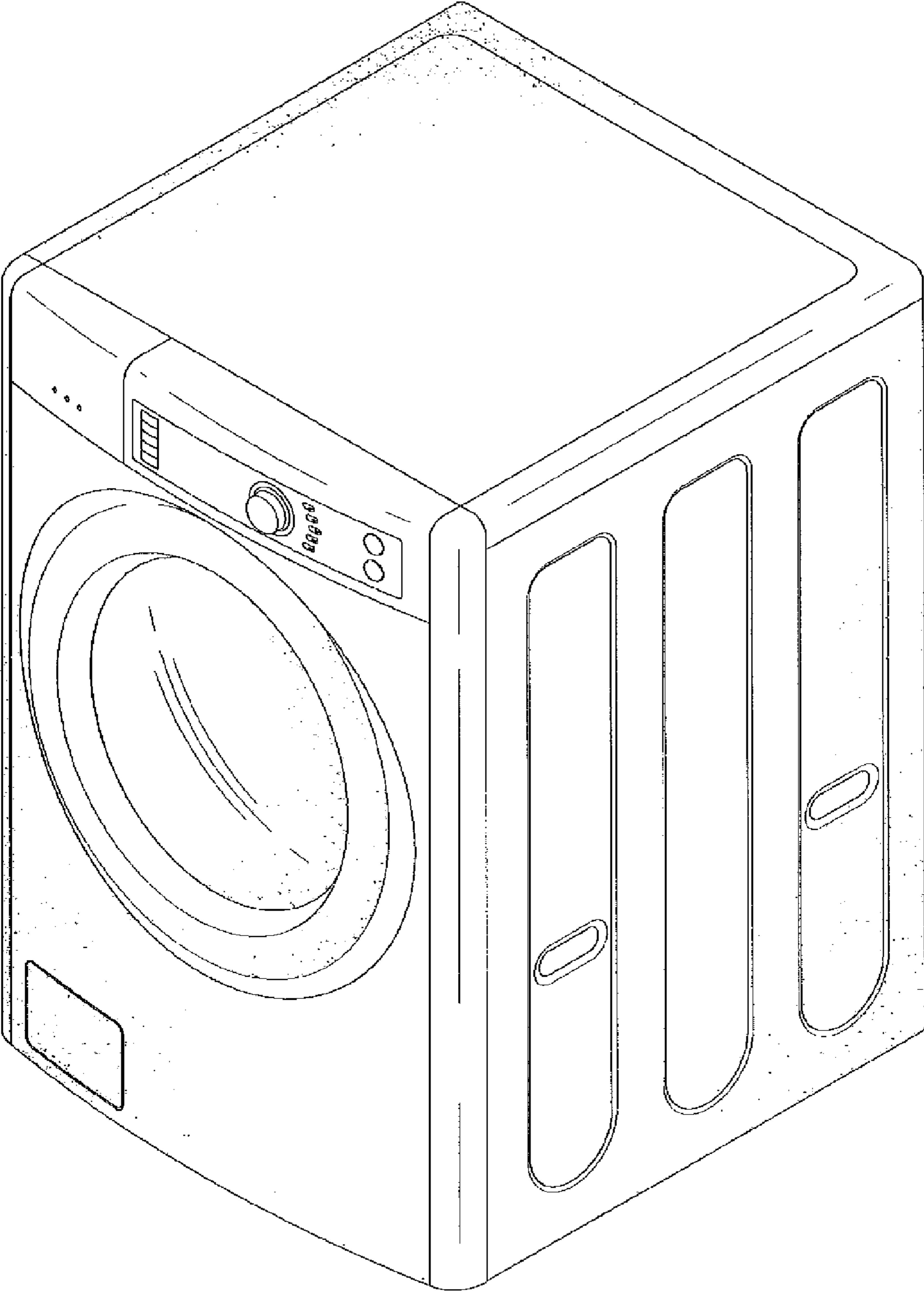


Figure 2

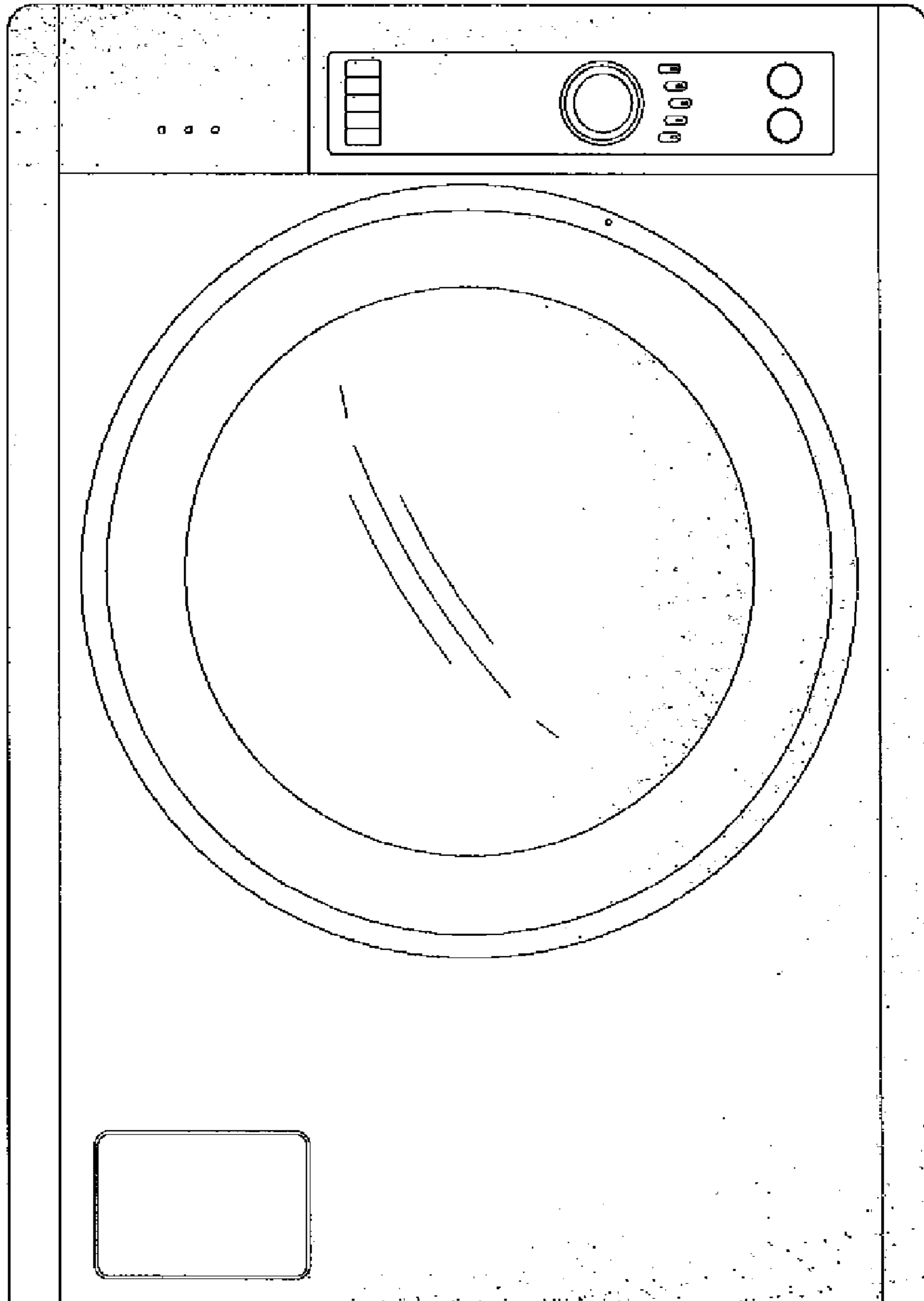


Figure 3

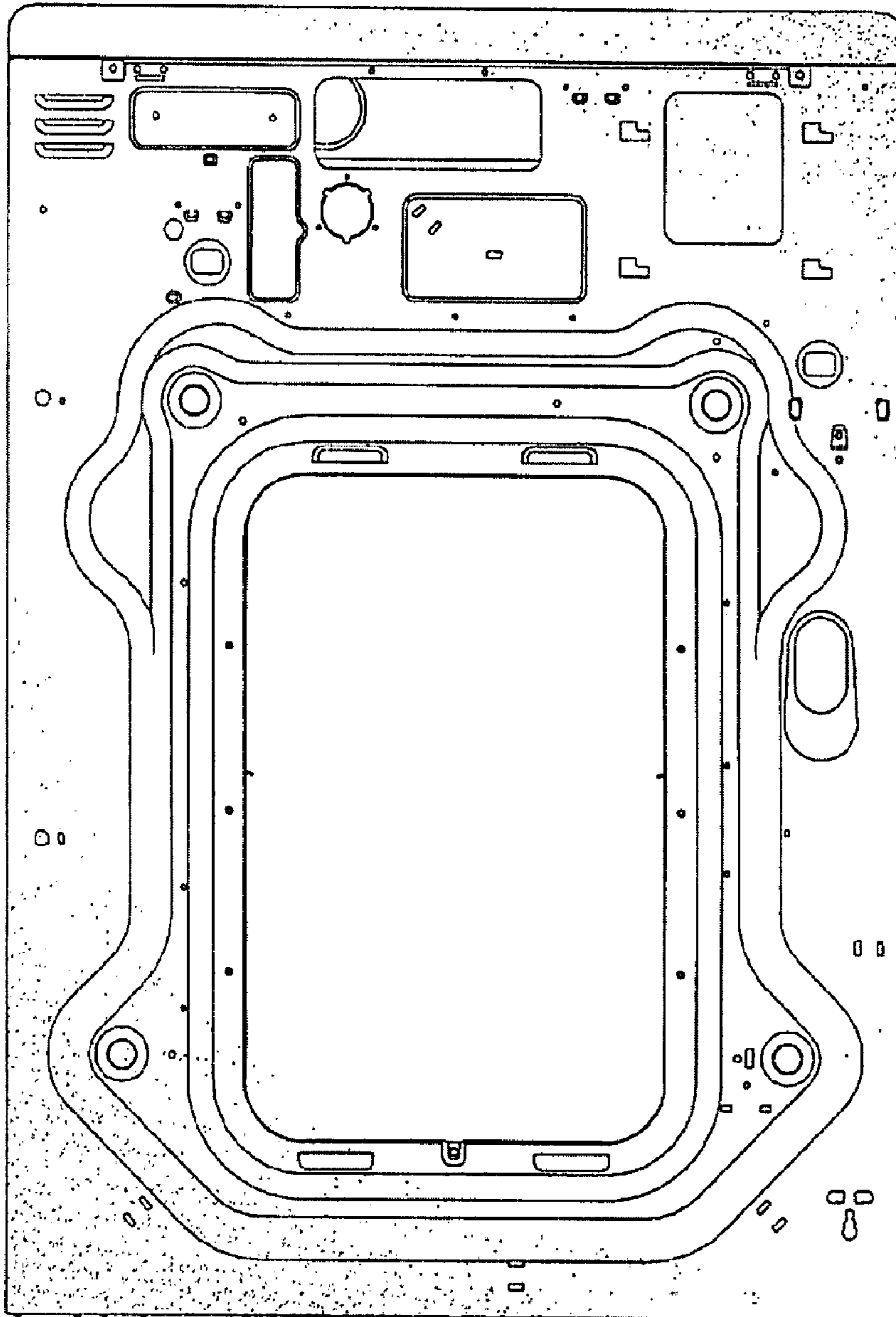


Figure 4

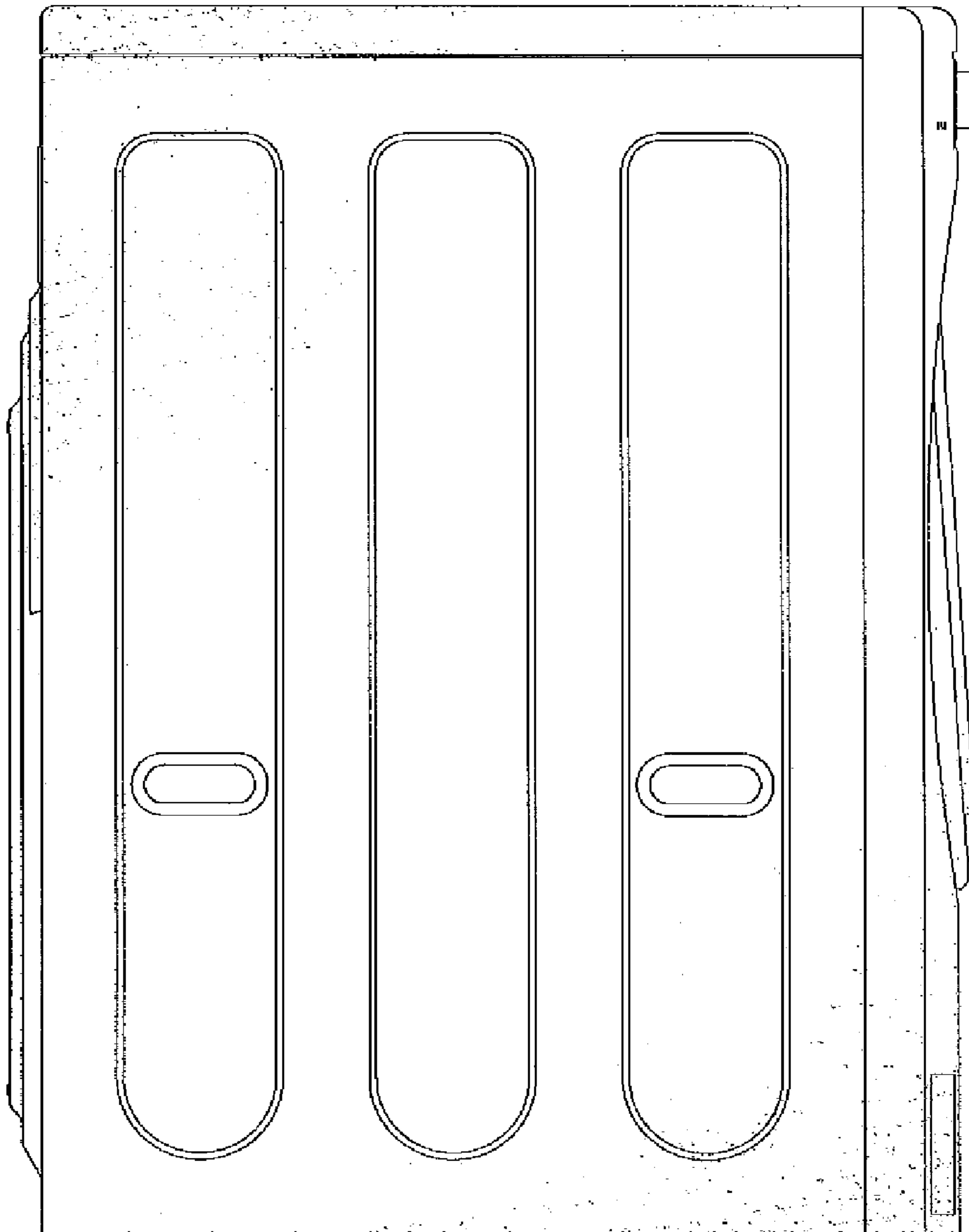
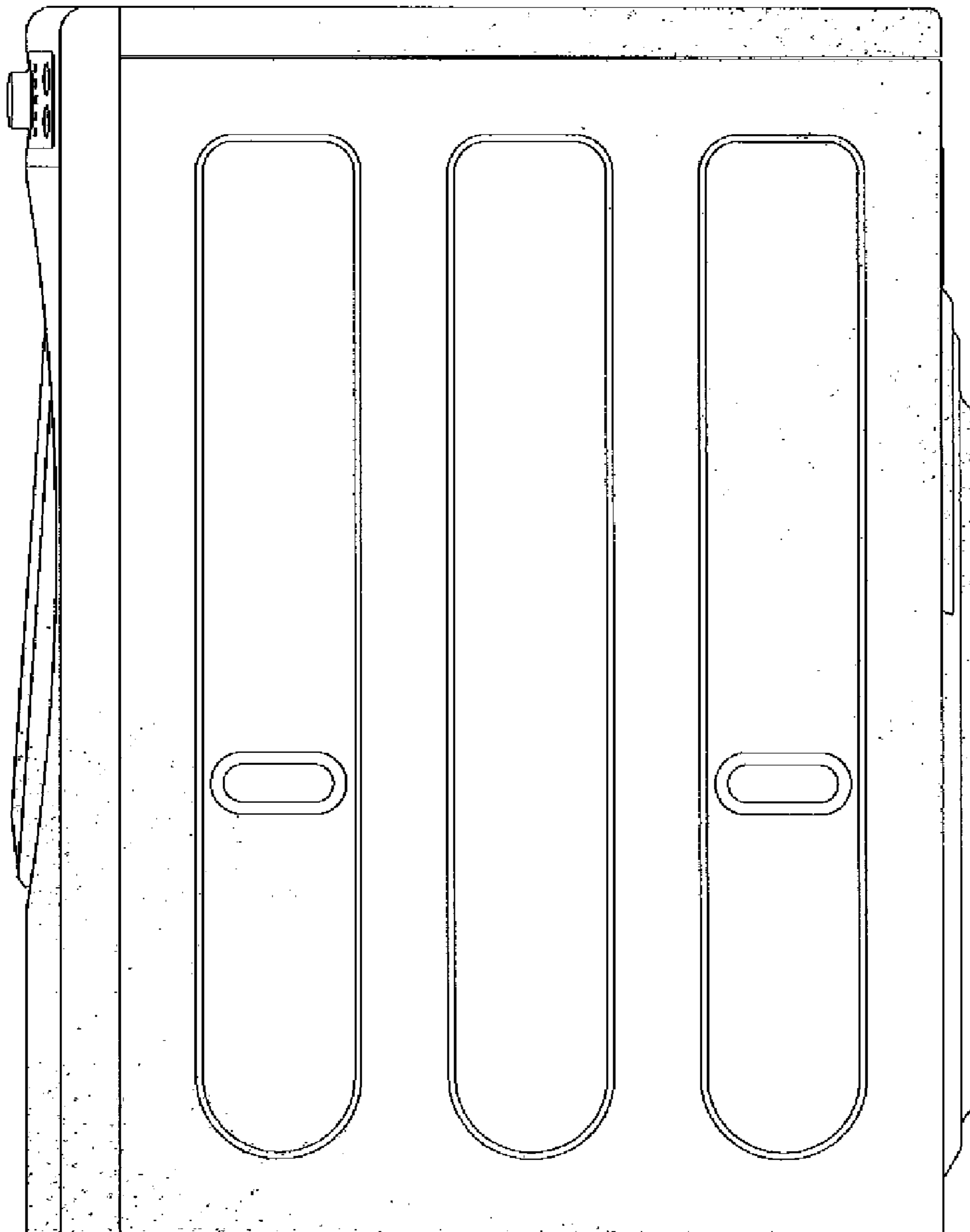


Figure 5



**Figure 6**

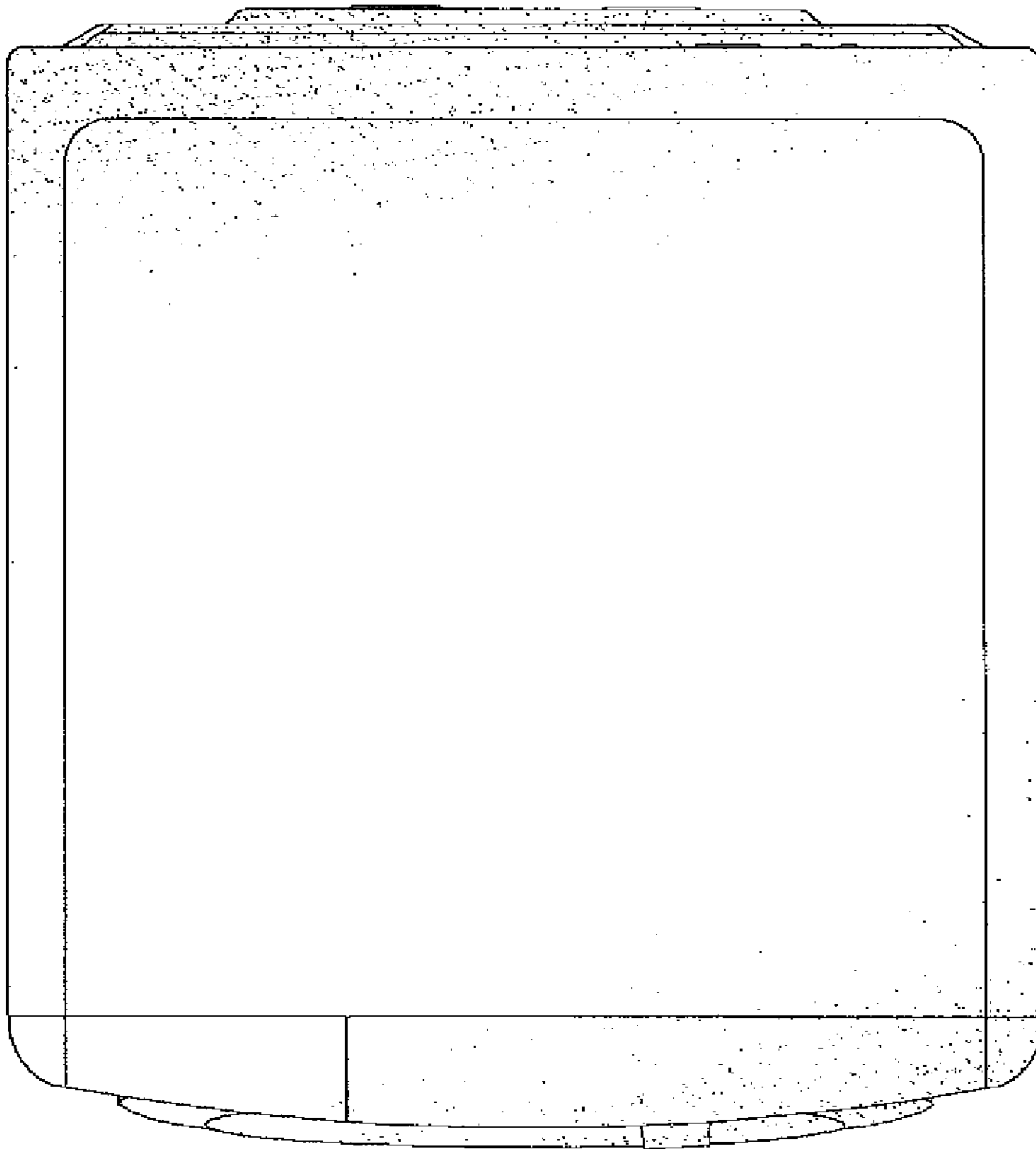


Figure 7

