



US00D557464S

(12) **United States Design Patent**
Novak

(10) **Patent No.:** **US D557,464 S**

(45) **Date of Patent:** **** Dec. 11, 2007**

(54) **CAT SCRATCHER**

(75) Inventor: **Frank Novak**, Los Angeles, CA (US)

(73) Assignee: **Modernica Pictures, Inc.**, Los Angeles, CA (US)

(**) Term: **14 Years**

(21) Appl. No.: **29/231,946**

(22) Filed: **Jun. 10, 2005**

(51) **LOC (8) Cl.** **30-99**

(52) **U.S. Cl.** **D30/160**

(58) **Field of Classification Search** 119/702,
119/705-711, 600, 601, 165, 28.5, 621; 273/456;
D30/158, 160, 118; D6/491, 381; 24/292-294;
150/158; 312/229; 248/345.1; D8/402,
D8/403; 5/655, 424, 657, 922
See application file for complete search history.

(56) **References Cited**

U.S. PATENT DOCUMENTS

4,471,767	A *	9/1984	Guimond	601/5
4,553,749	A *	11/1985	Bender et al.	273/459
4,790,041	A *	12/1988	Shtull	5/603
5,165,130	A *	11/1992	Wendling	5/655
5,415,461	A *	5/1995	Sakamoto	297/440.1
5,579,720	A *	12/1996	Udelle et al.	119/621

D428,215	S *	7/2000	Copple	D30/118
6,343,569	B1 *	2/2002	Buendiger	119/706
D501,064	S *	1/2005	Williams	D30/160
7,014,047	B2 *	3/2006	Stapleton	206/586
7,117,821	B2 *	10/2006	Novak	119/706
2006/0042560	A1 *	3/2006	Novak	119/706

* cited by examiner

Primary Examiner—Louis S. Zarfes

Assistant Examiner—Anna K. Dworzecka

(74) *Attorney, Agent, or Firm*—Connolly Bove Lodge & Hutz LLP

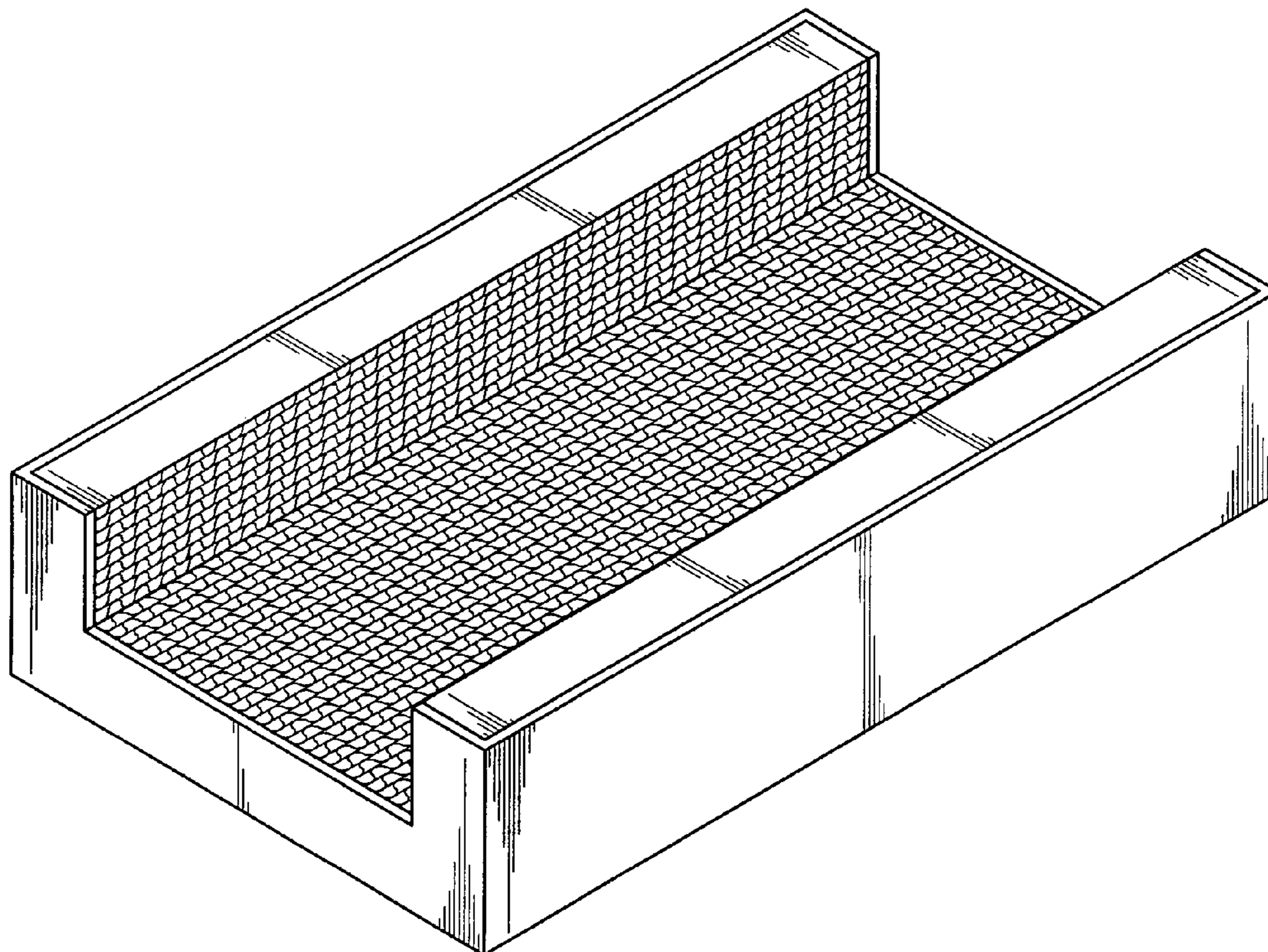
(57) **CLAIM**

The ornamental design for a cat scratcher, as shown and described.

DESCRIPTION

FIG. 1 is a perspective view of a cat scratcher;
FIG. 2 is a top plan view of the cat scratcher of FIG. 1; and,
FIG. 3 is a side plan view of the cat scratcher of FIG. 1.
As can be seen in FIG. 1, the cat scratcher has two degrees of symmetry. The symmetrical sides of the cat scratcher have identical ornamentation as compared to those sides depicted in the figures. The bottom of the cat scratcher is flat and unornamented.

1 Claim, 3 Drawing Sheets



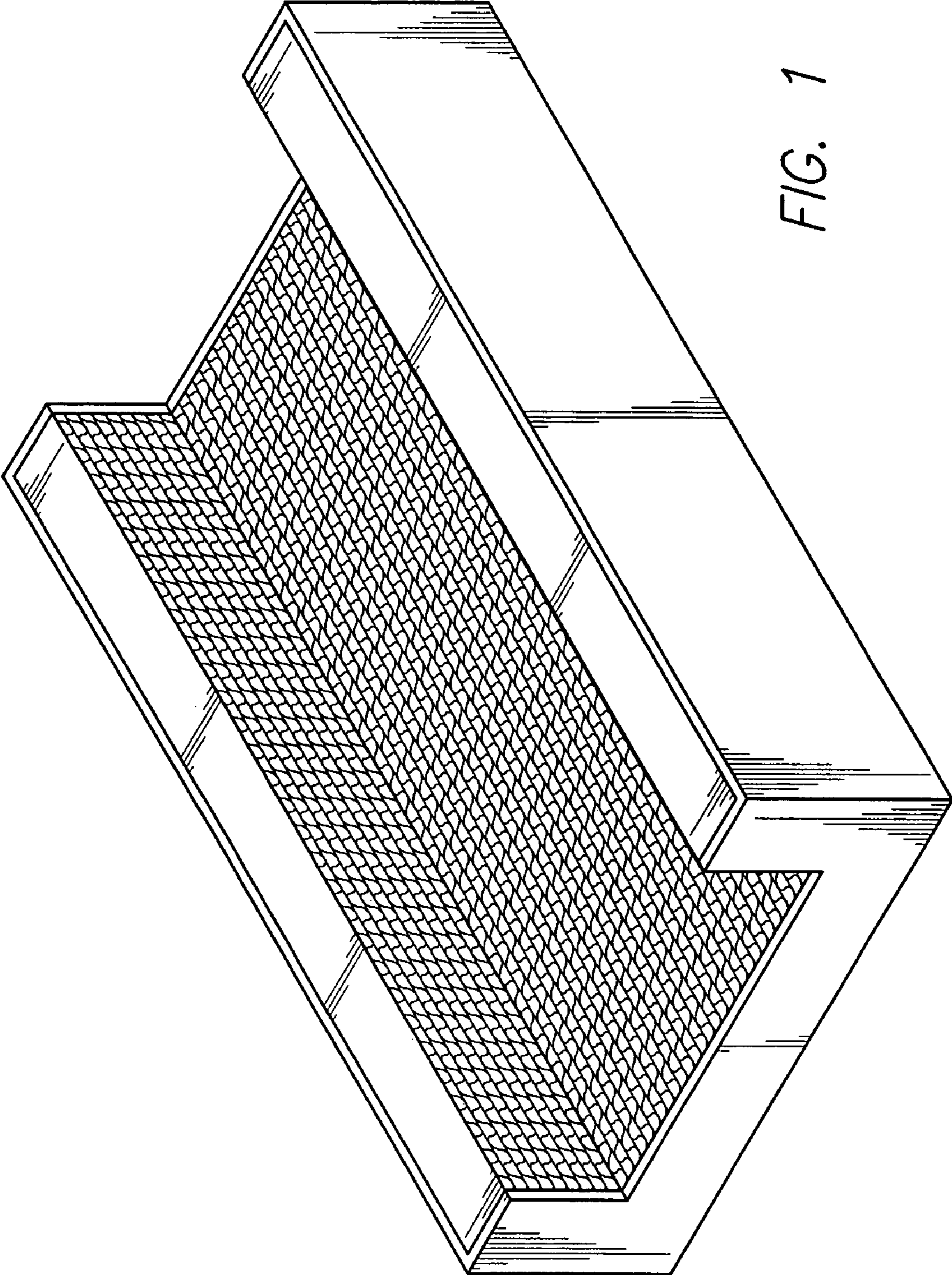


FIG. 1

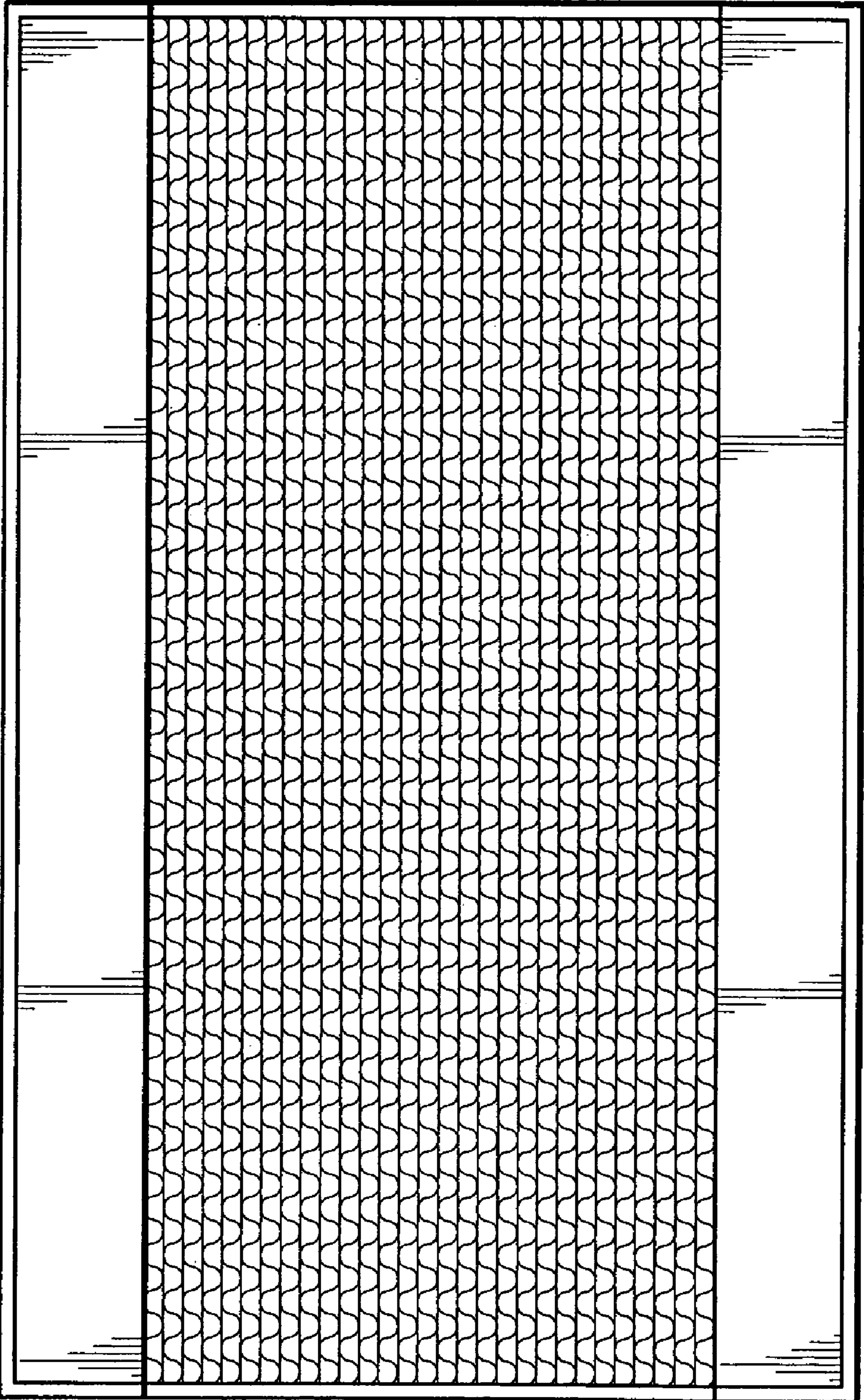


FIG. 2

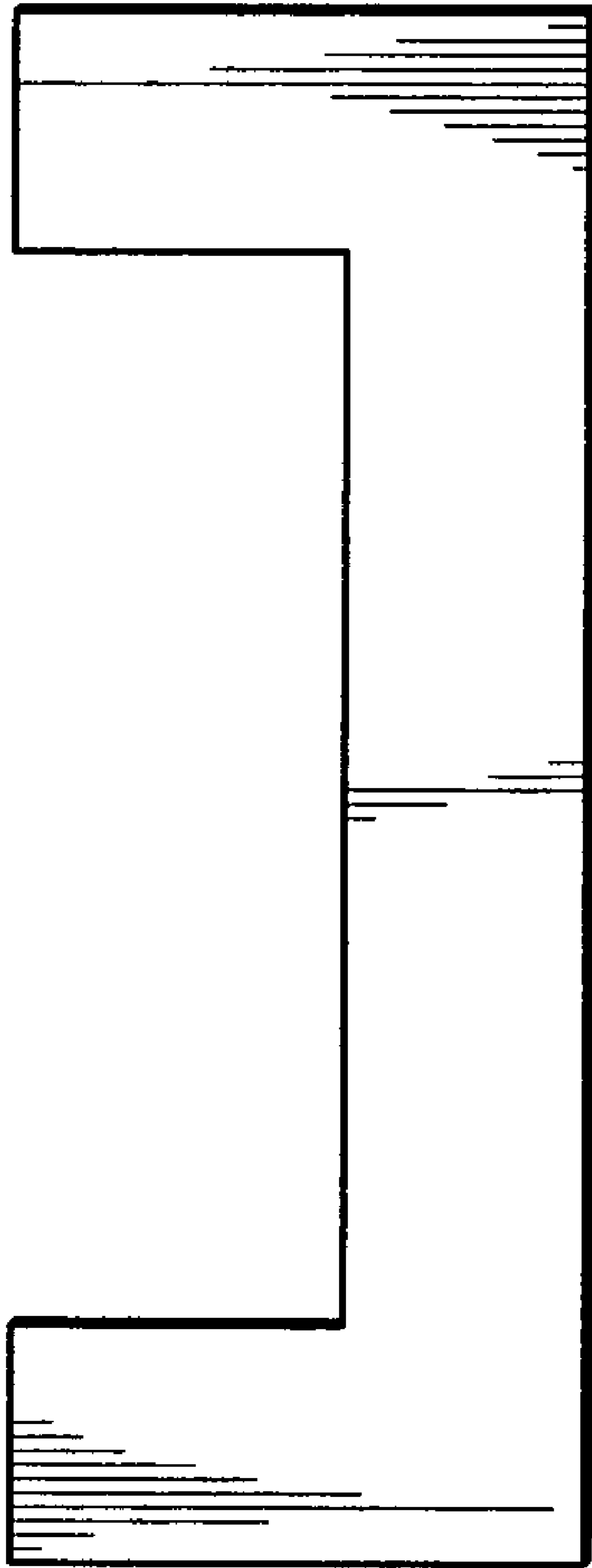


FIG. 3