



US00D557463S

(12) **United States Design Patent**
Brown et al.

(10) **Patent No.:** **US D557,463 S**

(45) **Date of Patent:** **** *Dec. 11, 2007**

(54) **BATTER'S HELMET**

(75) Inventors: **Robin J. Brown**, Labadie, MO (US);
Michael A. Lorenz, Gahanna, OH
(US); **Kevin J. Vititoe**, Columbus, OH
(US)

(73) Assignee: **Rawlings Sportings Goods Company, Inc.**, St. Louis, MO (US)

(*) Notice: This patent is subject to a terminal disclaimer.

(**) Term: **14 Years**

(21) Appl. No.: **29/258,976**

(22) Filed: **Apr. 28, 2006**

(51) **LOC (8) Cl.** **29-02**

(52) **U.S. Cl.** **D29/122; D29/105**

(58) **Field of Classification Search** D29/102,
D29/104-107, 122; 2/410-411, 414-421,
2/423-425

See application file for complete search history.

(56) **References Cited**

U.S. PATENT DOCUMENTS

3,290,693	A *	12/1966	Wolfe	2/423
5,093,936	A	3/1992	Copeland et al.		
5,129,108	A	7/1992	Copeland et al.		
5,142,705	A	9/1992	Edwards		
D385,662	S *	10/1997	Paglucci et al.	D29/105
D389,958	S *	1/1998	Kinthead	D29/102
5,815,847	A	10/1998	Holden		
D402,414	S *	12/1998	Smith	D29/106
5,893,174	A	4/1999	Primeau		

6,128,786	A *	10/2000	Maddux et al.	2/418
6,256,798	B1	7/2001	Egolf et al.		
D479,019	S *	8/2003	Lishen	D29/102
6,865,752	B2	3/2005	Udelhofen et al.		
D511,225	S *	11/2005	Brown et al.	D29/106
D514,259	S *	1/2006	Brown et al.	D29/106

* cited by examiner

Primary Examiner—Ruth McInroy

(74) *Attorney, Agent, or Firm*—Stinson Morrison Hecker LLP

(57) **CLAIM**

The ornamental design for a batter's helmet, as shown and described.

DESCRIPTION

FIG. 1 is a perspective rear view of the batter's helmet in accordance with the design of the present invention;

FIG. 2 is a top plan view of the batter's helmet of FIG. 1;

FIG. 3 is a bottom plan view of the batter's helmet of FIG. 1;

FIG. 4 is an elevational view from one side of the batter's helmet of FIG. 1;

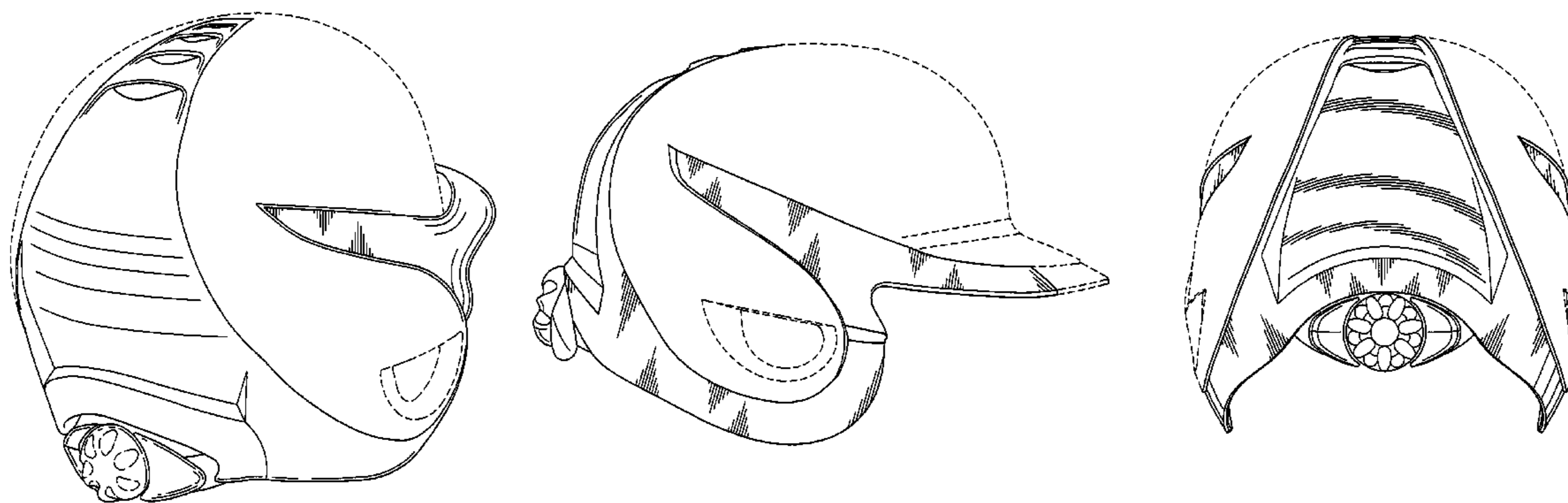
FIG. 5 is an elevational view from the other side of the batter's helmet of FIG. 1;

FIG. 6 is a front end elevational of the batter's helmet of FIG. 1; and,

FIG. 7 is a rear end elevational view of the batter's helmet of FIG. 1.

The details shown in broken lines are for illustrative purposes only and form no part of the claimed design.

1 Claim, 4 Drawing Sheets



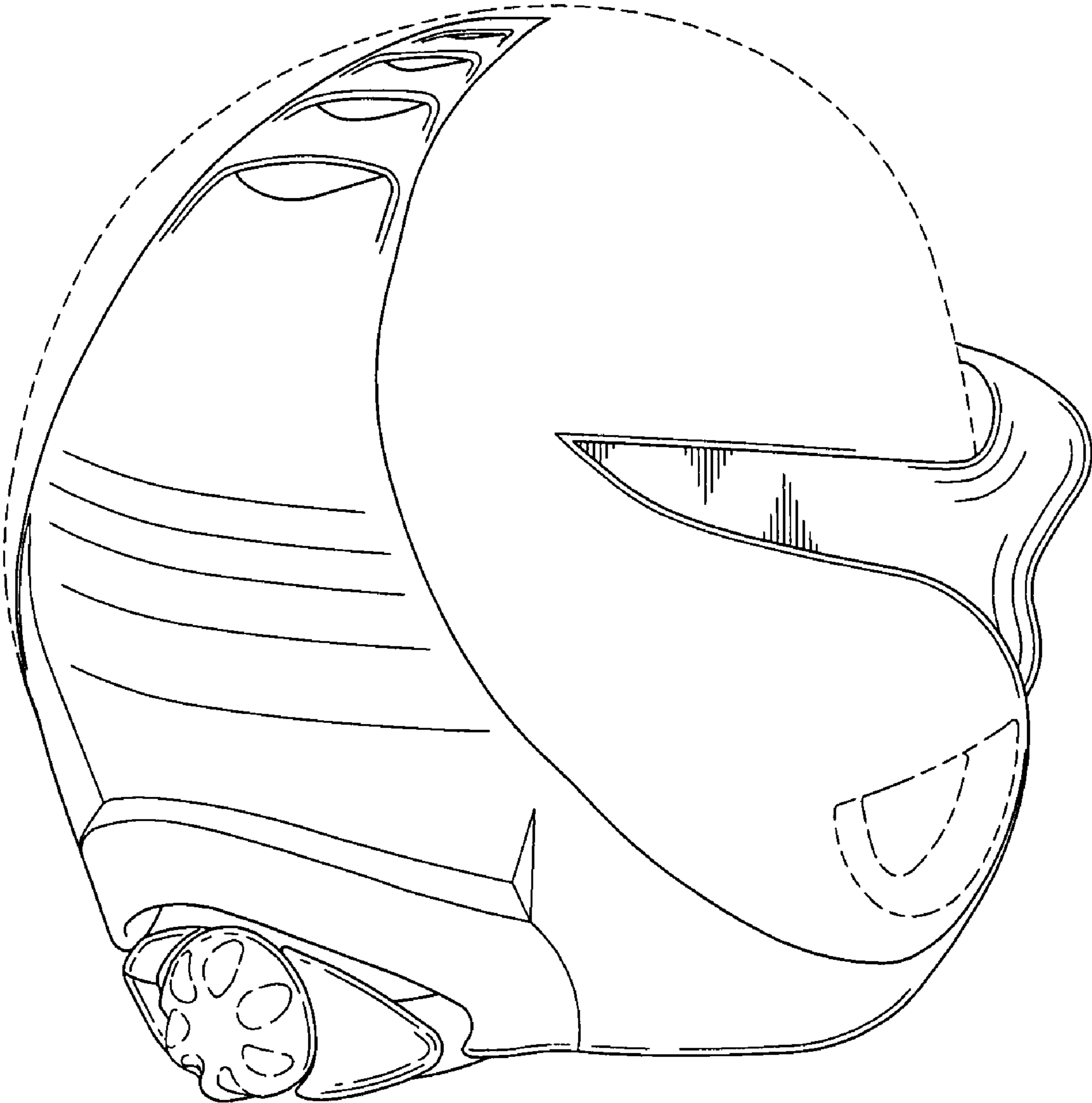


FIG. - 1

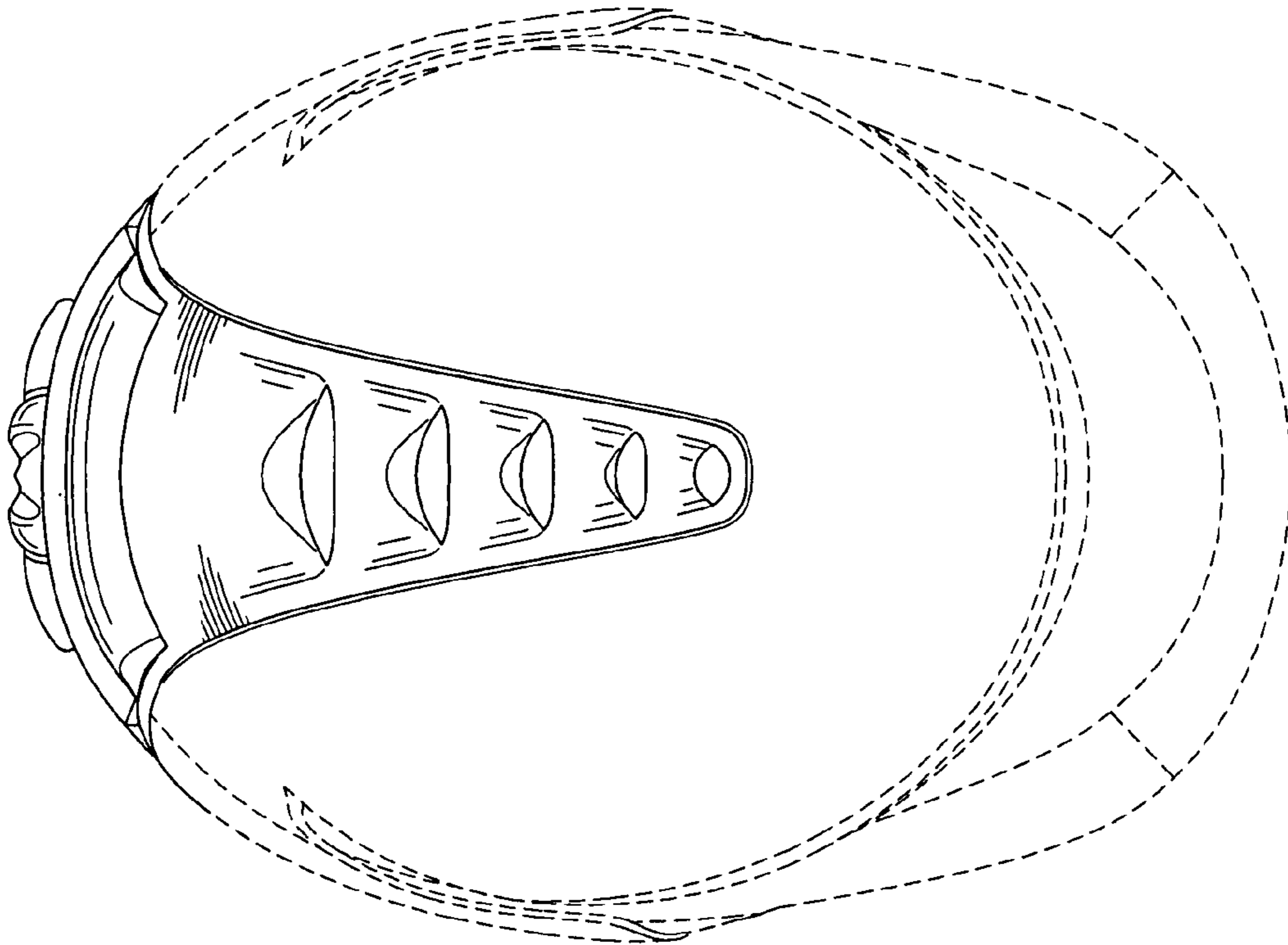


FIG.-2

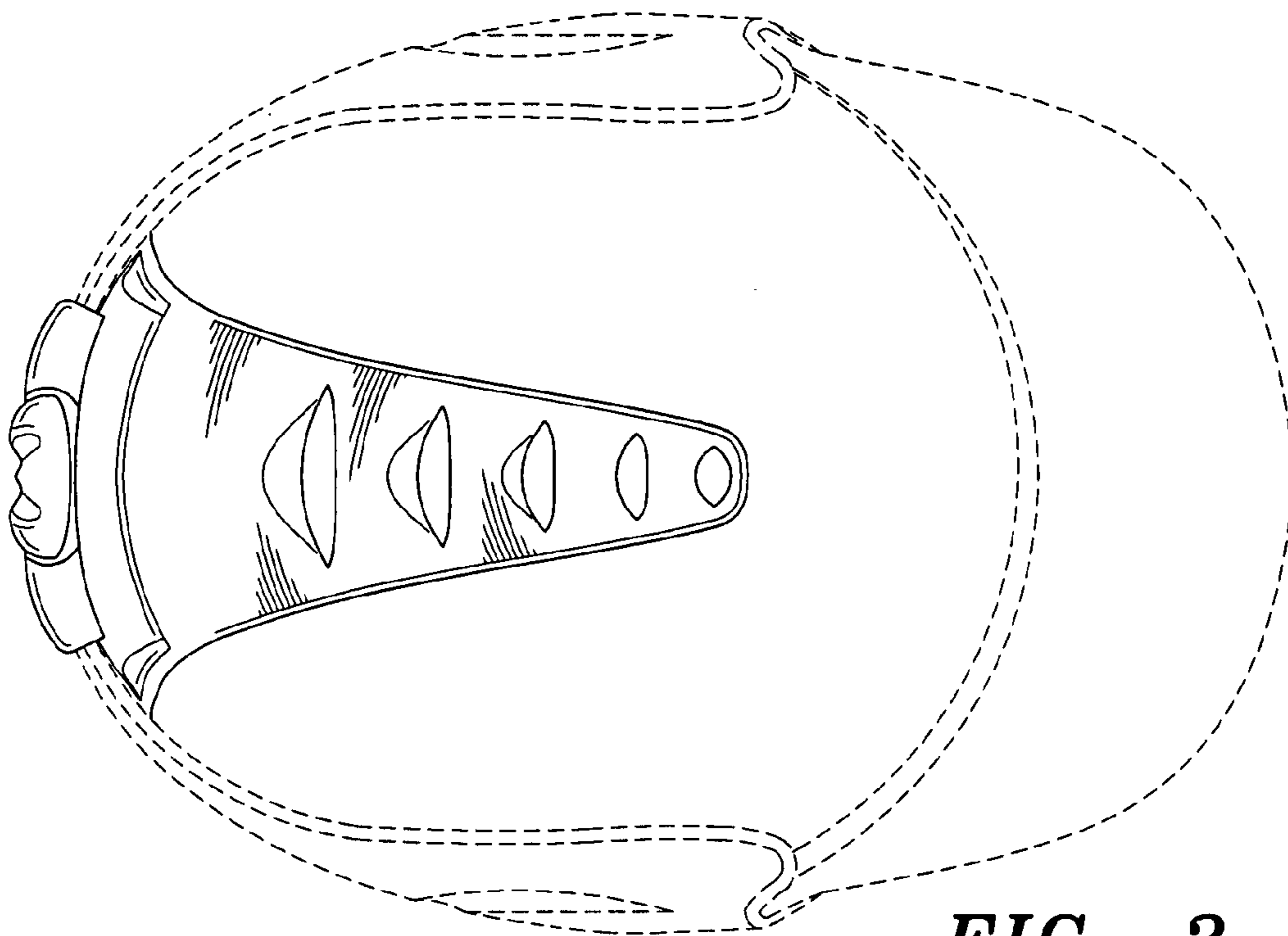


FIG.-3

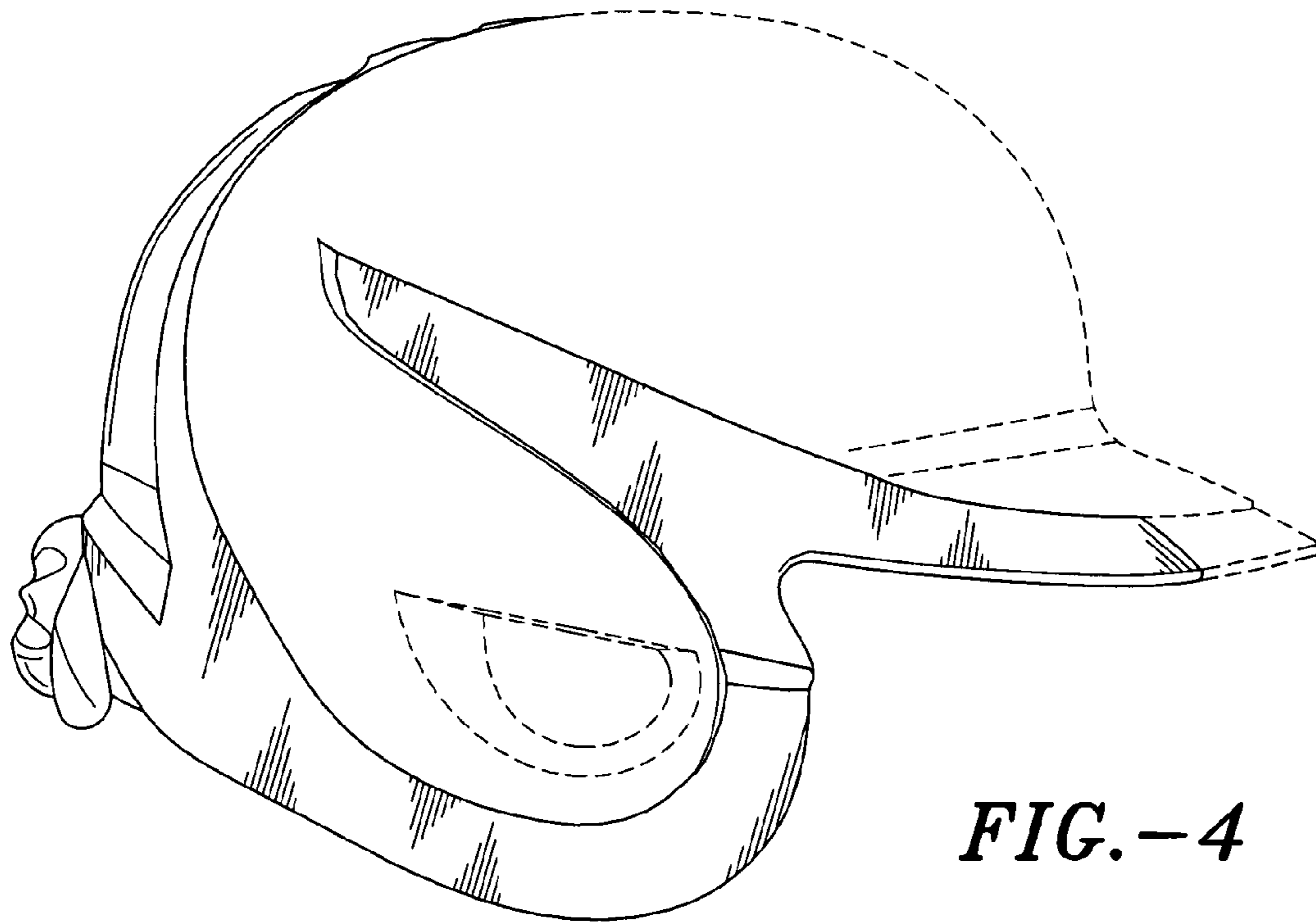


FIG.-4

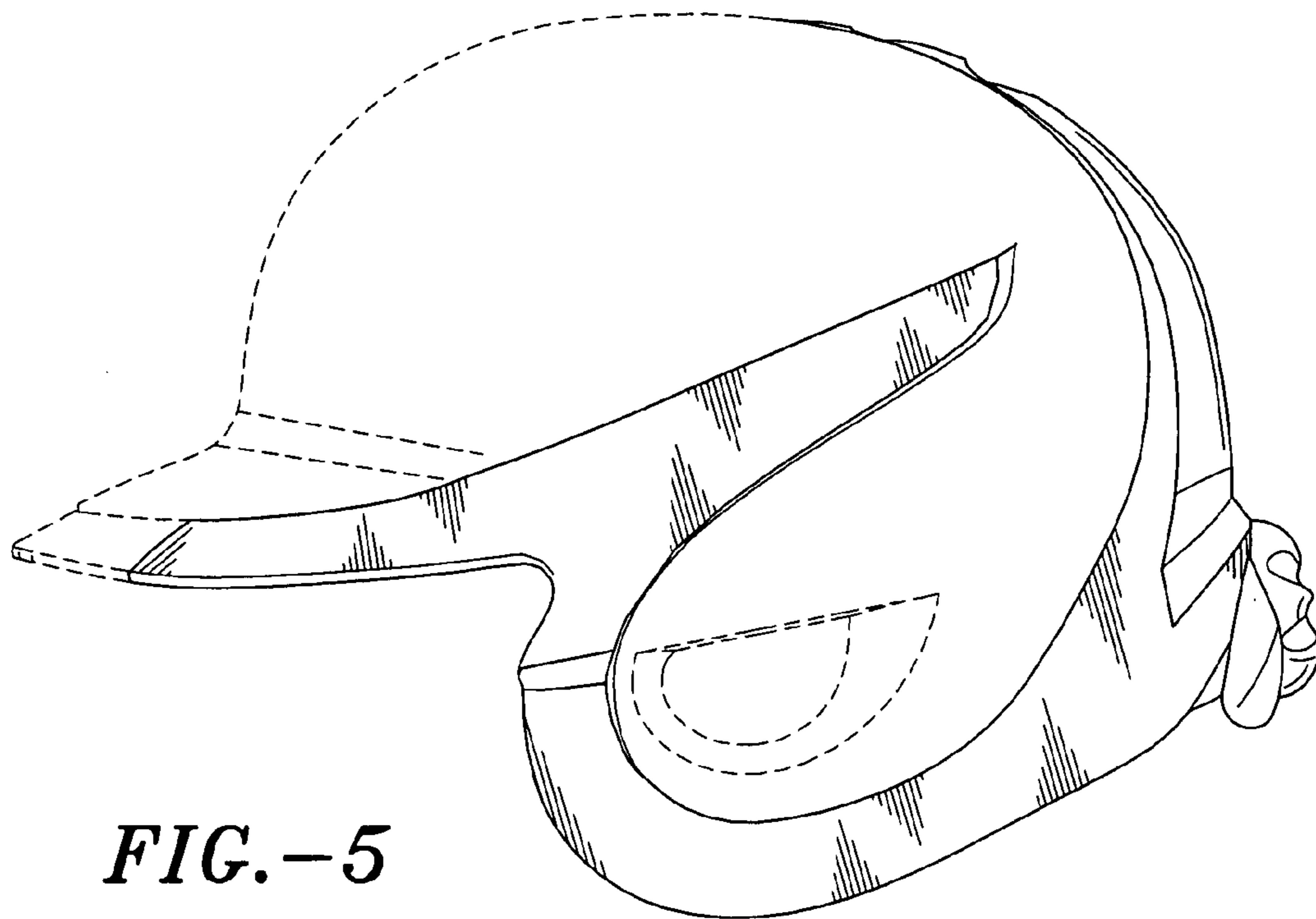


FIG.-5

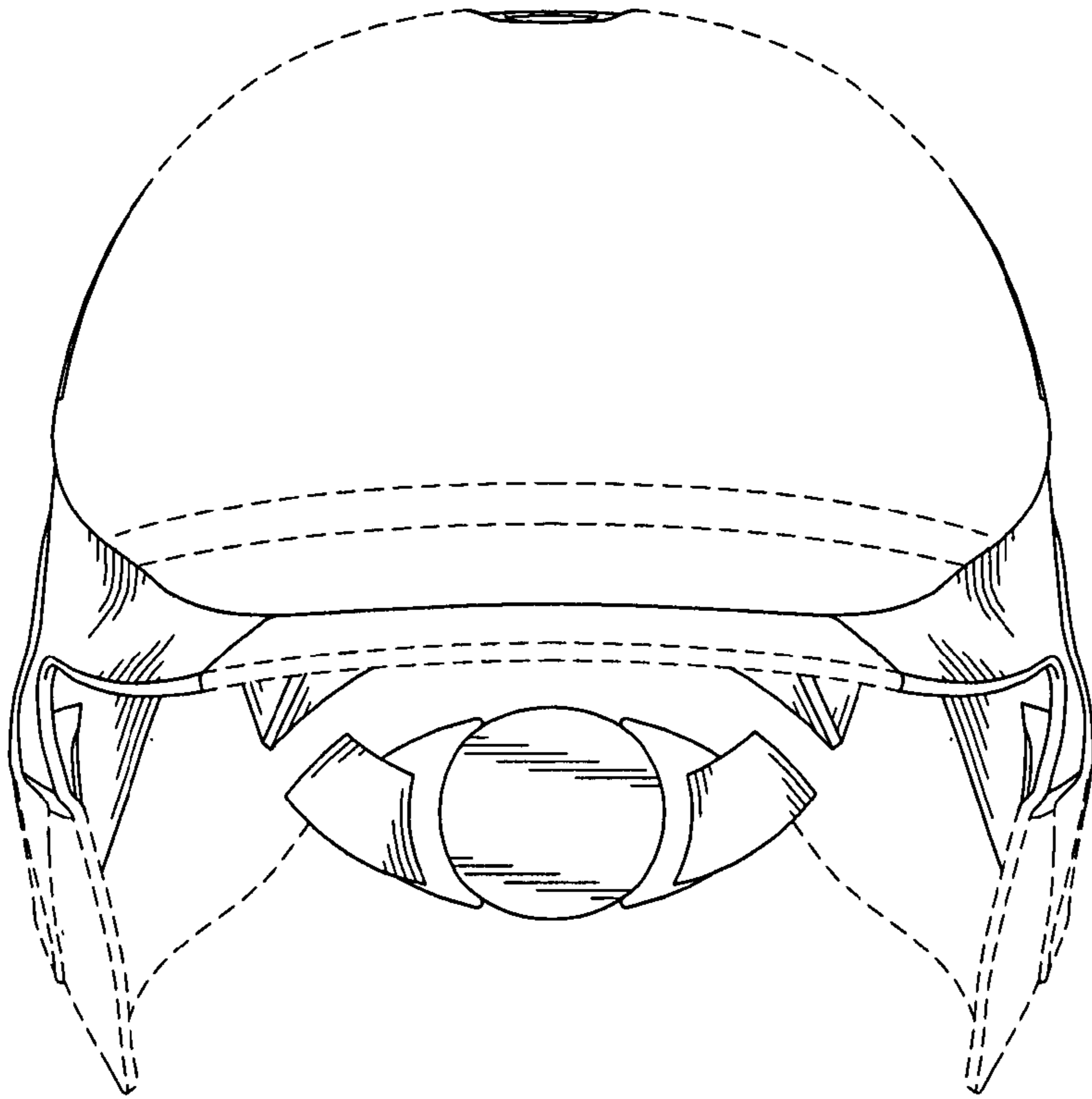


FIG.-6

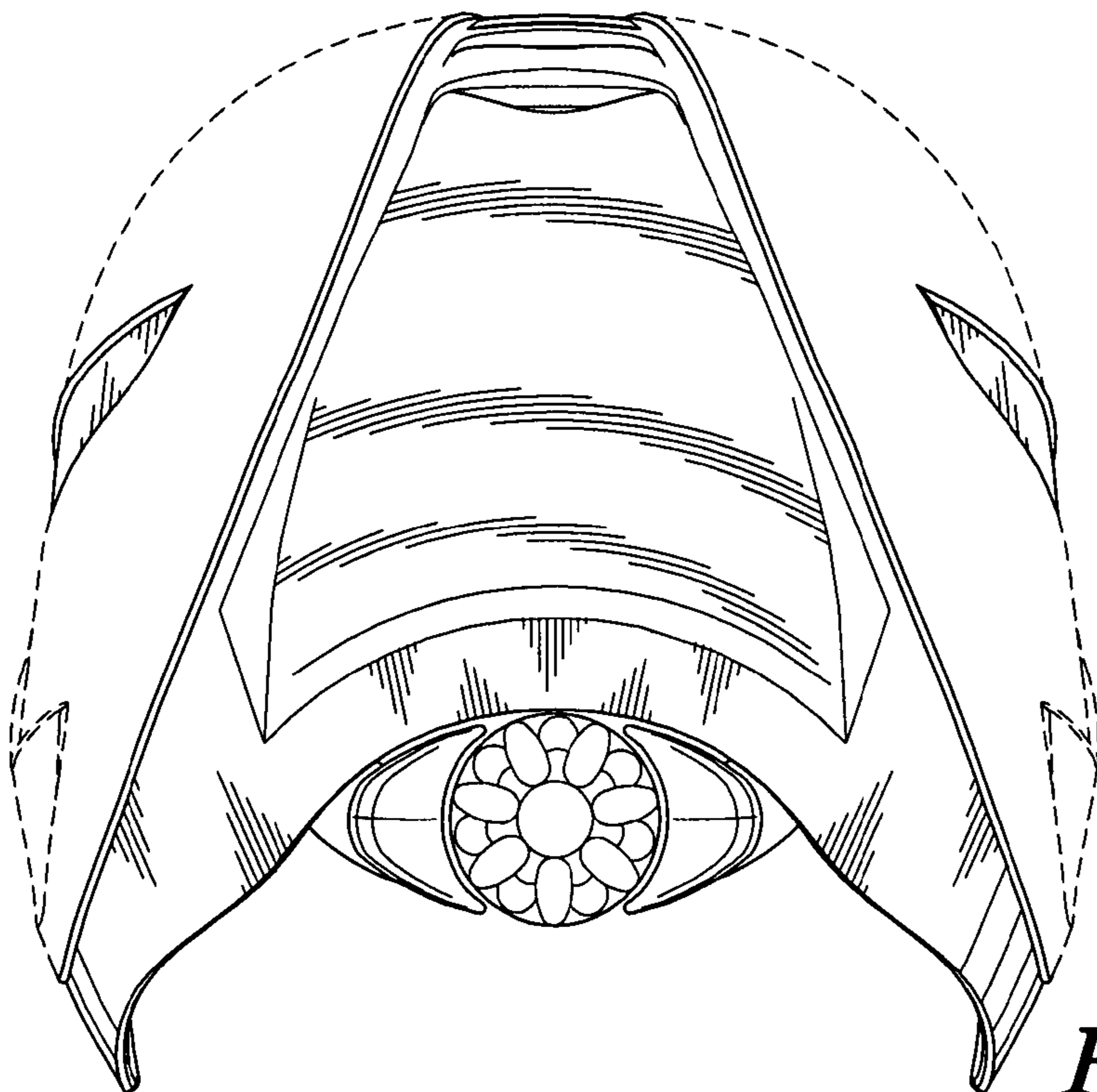


FIG.-7