



US00D557461S

(12) **United States Design Patent**
Probst

(10) **Patent No.:** **US D557,461 S**

(45) **Date of Patent:** **** Dec. 11, 2007**

(54) **RIGID MASK FOR SKIING AND SNOWBOARDING**

D522,179 S * 5/2006 Wright et al. D29/108
D526,094 S * 8/2006 Chen D29/108

(76) Inventor: **Brian Hullinger Probst**, 5005 N. Edgewood Dr., # 302, Provo, UT (US) 84604

(**) Term: **14 Years**

(21) Appl. No.: **29/279,844**

(22) Filed: **May 8, 2007**

(51) **LOC (8) Cl.** **29-02**

(52) **U.S. Cl.** **D29/108**

(58) **Field of Classification Search** D29/102-111, D29/122; 2/9, 6.3, 6.7, 15, 10, 452, 410, 2/422-425, 427, 431, 436, 206; 128/207.1, 128/857-858, 201.17, 201.19, 201.23, 201.24, 128/206.21, 207.11, 206.12, 206.28; D24/110.2, D24/110.3; D16/300, 301, 309, 310, 312
See application file for complete search history.

(56) **References Cited**

U.S. PATENT DOCUMENTS

4,250,577	A	*	2/1981	Smith	2/427
D317,063	S	*	5/1991	Johnson	D29/110
D367,664	S	*	3/1996	Simioni	D16/309
D370,230	S	*	5/1996	Simioni	D16/309
D384,441	S	*	9/1997	Badger	D29/110
D407,858	S	*	4/1999	Cyr et al.	D29/108
D423,726	S	*	4/2000	Backus	D29/108
D484,281	S	*	12/2003	Gagnon et al.	D29/110
D518,242	S	*	3/2006	Wright et al.	D29/108
D518,605	S	*	4/2006	Chen	D29/108

OTHER PUBLICATIONS

Picture of Balaclava / Trihole mask, found at <http://en.wikipedia.org/wiki/Balaclava>, a copy is attached as a PDF and a picture of Neoprene/Floprene found at <http://proline-sports.com/outdoor/mask.html>, is also shown on the attached pdf. These pictures were found on the Internet on May 8, 2007. The respective URLs are printed on the attached PDF.

* cited by examiner

Primary Examiner—Ruth McInroy

(74) *Attorney, Agent, or Firm*—Steven A. Nielsen; Allman & Nielsen, P.C.

(57) **CLAIM**

I claim the ornamental design for a rigid mask for skiing and snowboarding, as shown and described.

DESCRIPTION

FIG. 1 is a perspective view of a rigid mask for skiing and snowboarding showing my new design;

FIG. 2 is a front view thereof;

FIG. 3 is a rear view thereof;

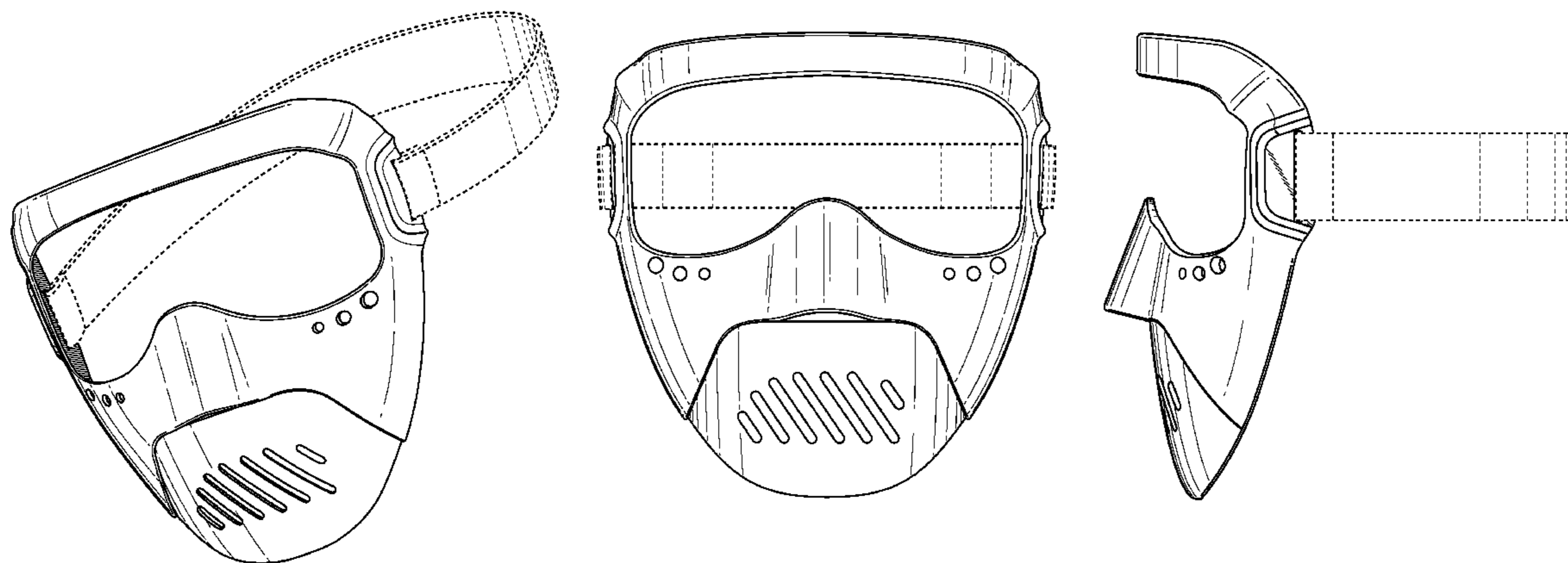
FIG. 4 is a right side view thereof;

FIG. 5 is a left side view thereof;

FIG. 6 is a top plan view thereof; and,

FIG. 7 is a bottom plan view thereof.

1 Claim, 7 Drawing Sheets



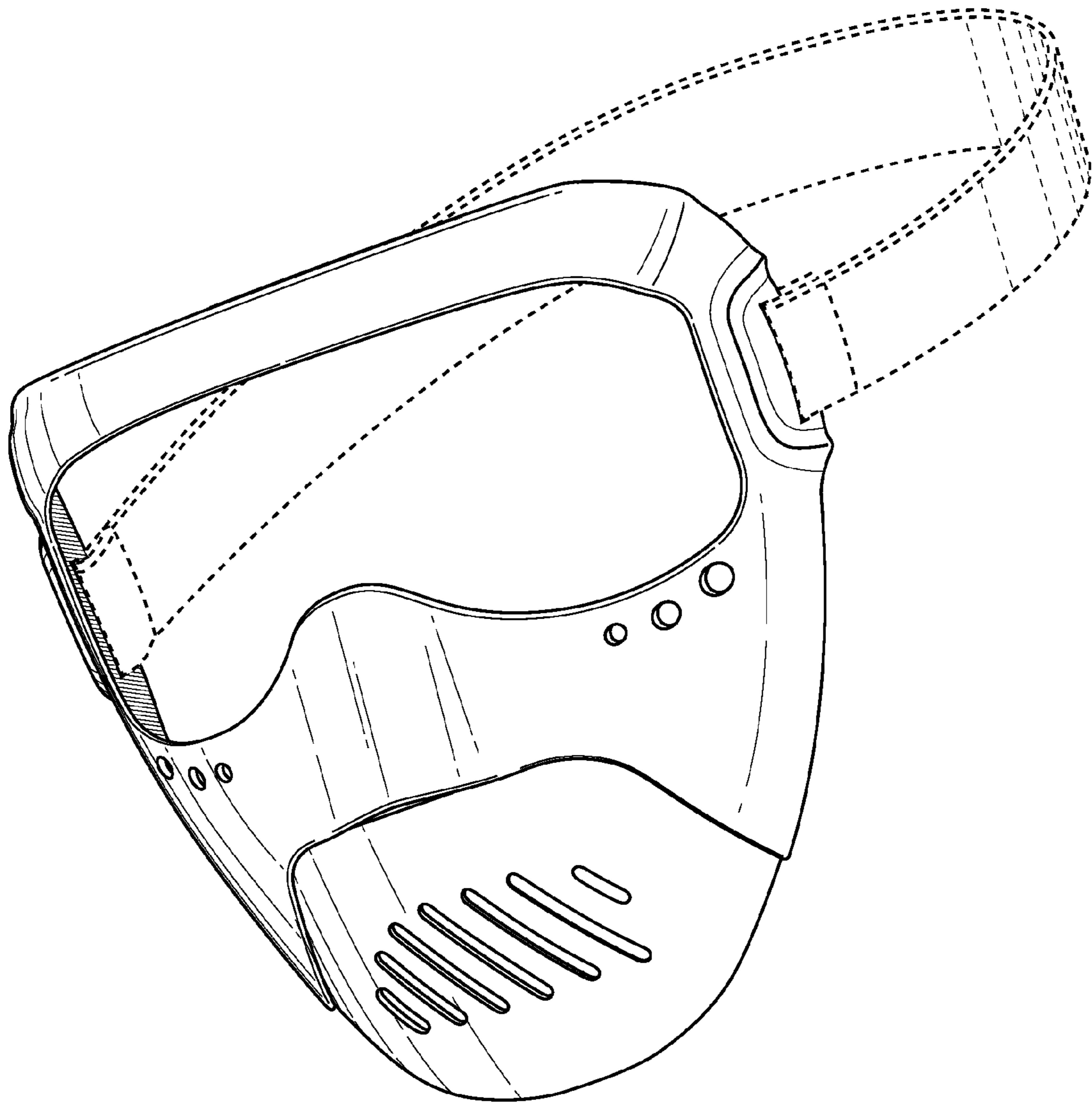


Fig. 1

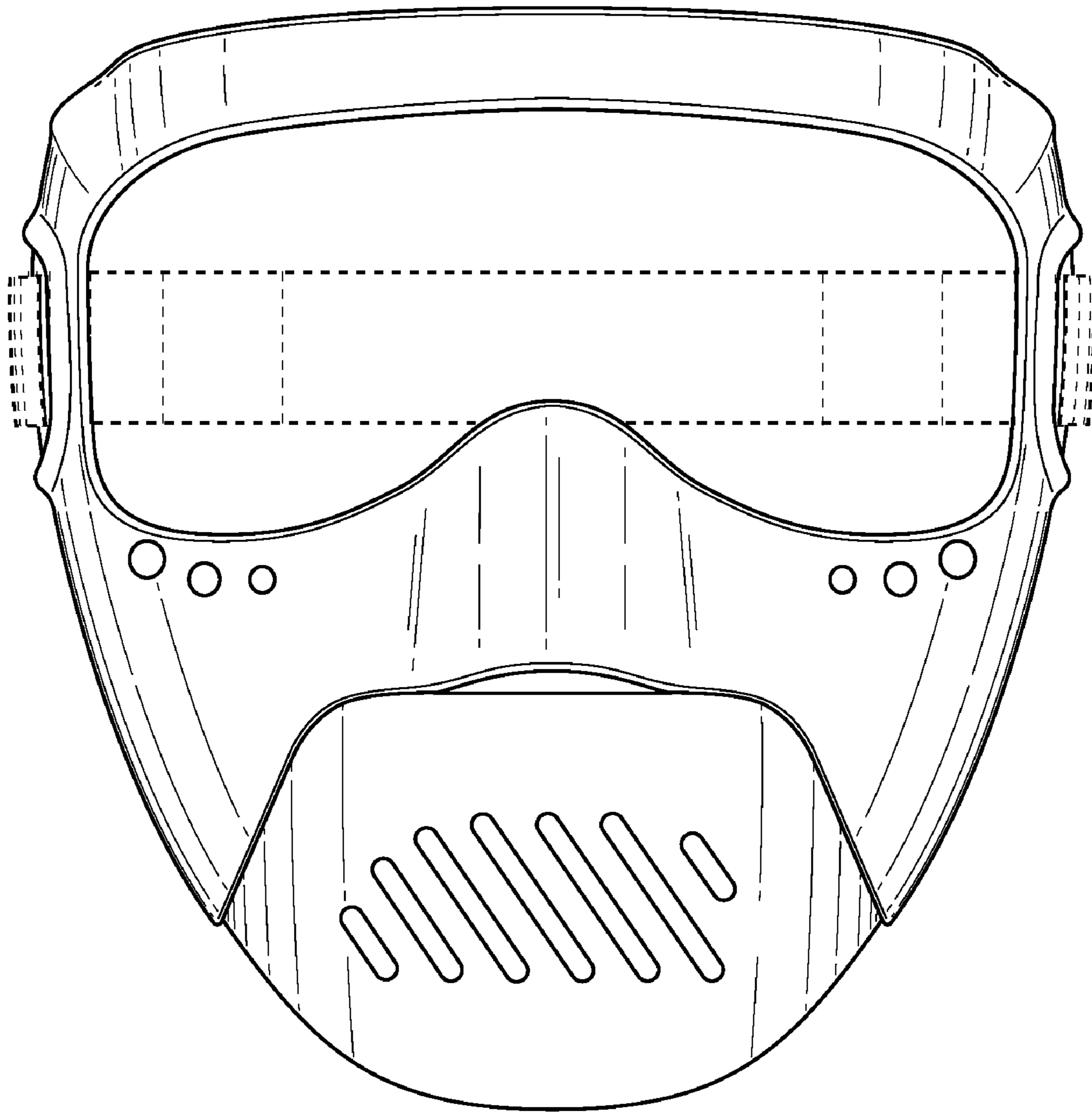


Fig. 2

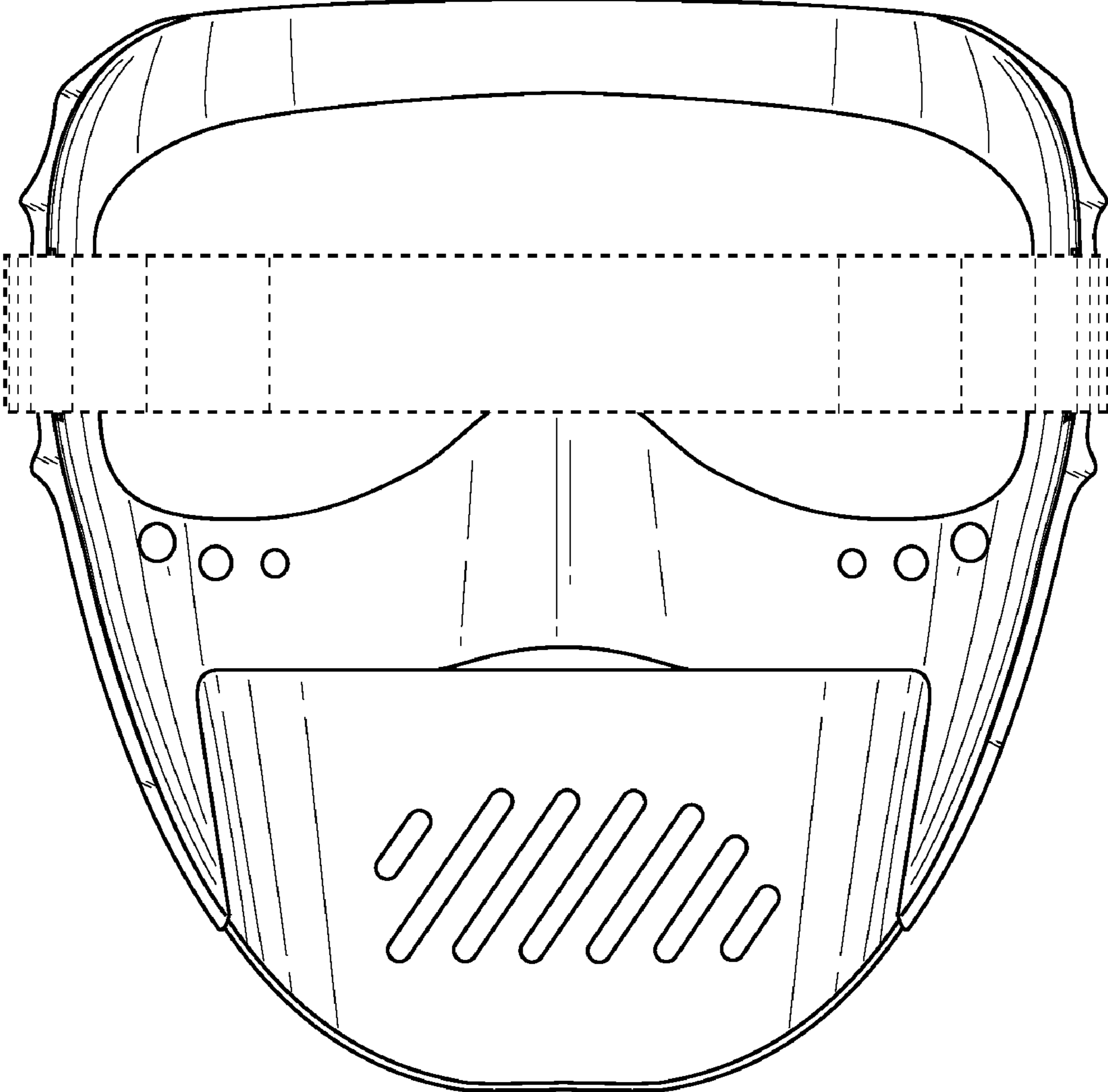


Fig. 3

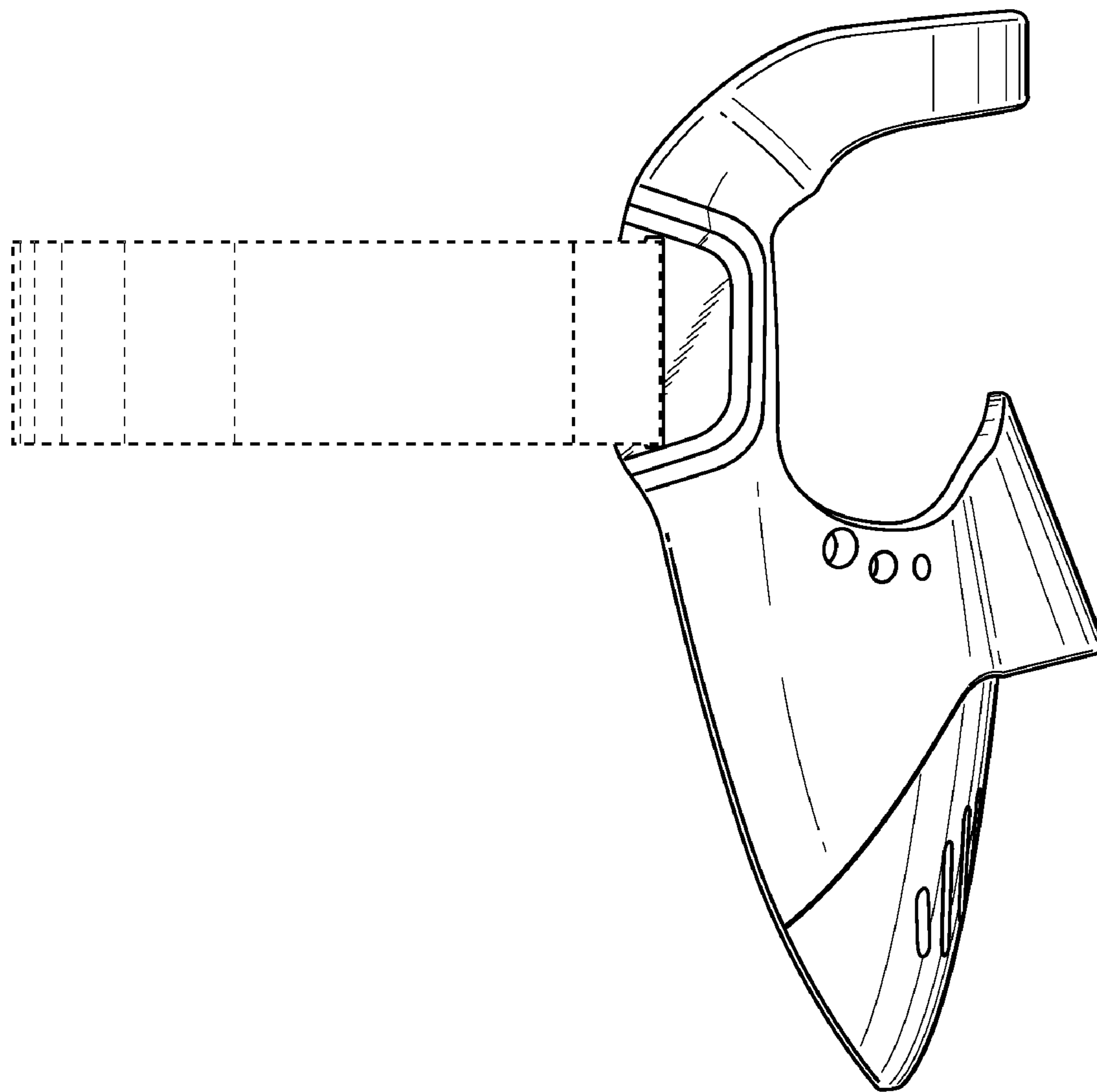


Fig. 4

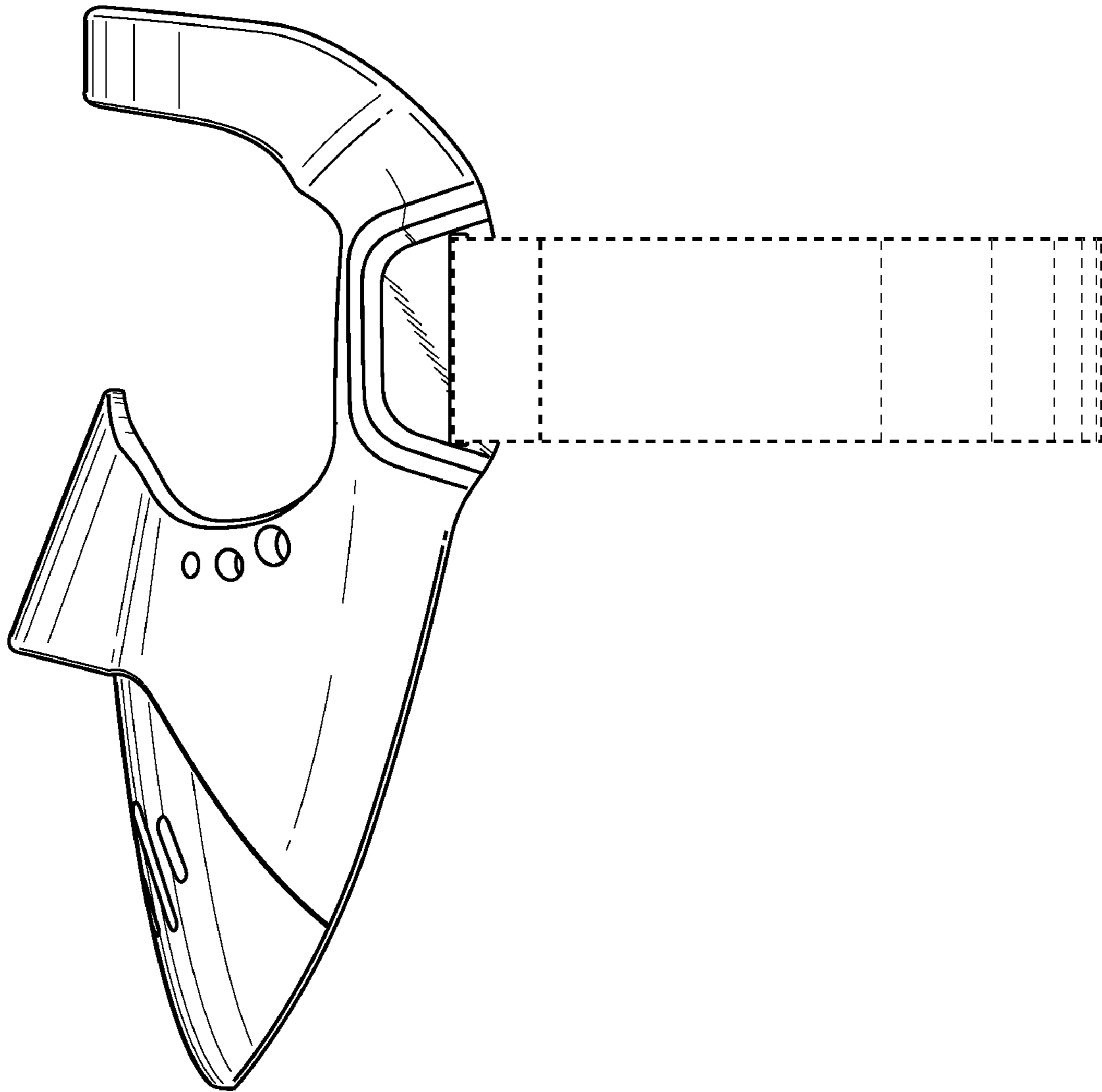


Fig. 5

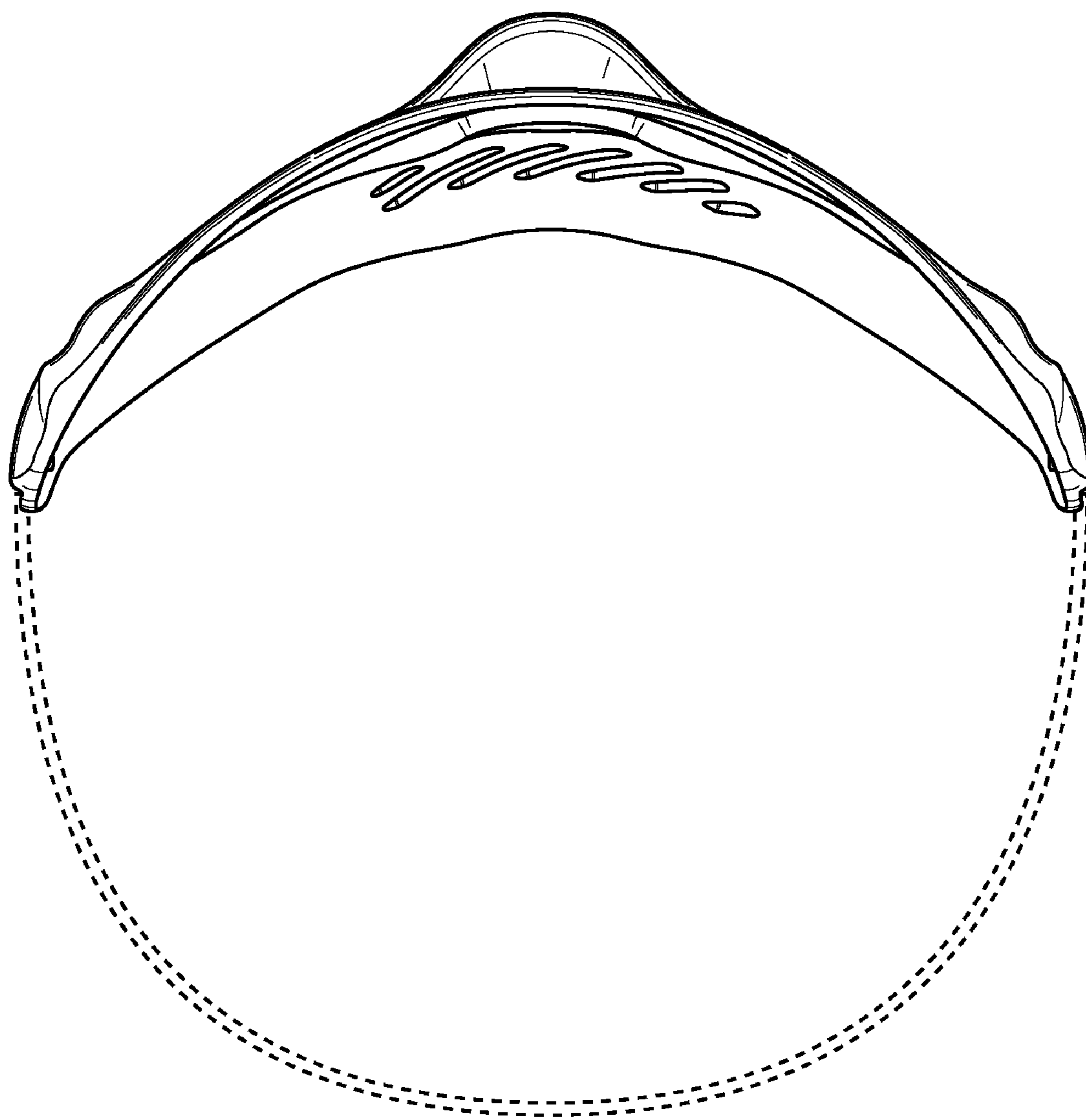


Fig. 6

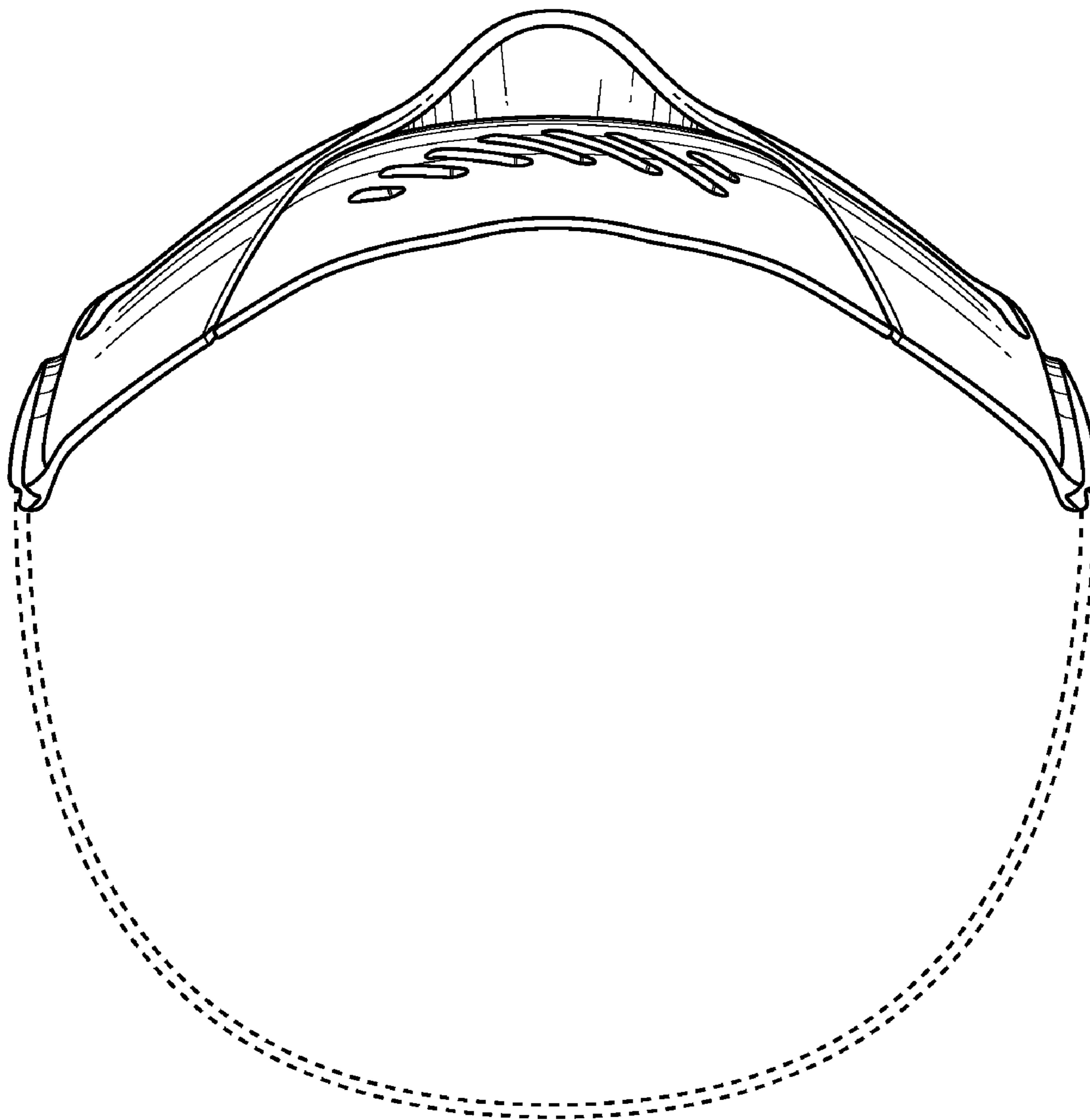


Fig. 7