



US00D557449S

(12) **United States Design Patent**
Chow

(10) **Patent No.:** **US D557,449 S**

(45) **Date of Patent:** **** Dec. 11, 2007**

(54) **DESK LAMP**

2004/0068305 A1* 4/2004 Bansal et al. 607/89

(75) Inventor: **Wing Kei Chow**, Hong Kong (HK)

* cited by examiner

(73) Assignee: **Kwonnie Industries Limited**, Kowloon (HK)

Primary Examiner—Cathron C. Brooks

Assistant Examiner—Linda Brooks

(**) Term: **14 Years**

(57) **CLAIM**

(21) Appl. No.: **29/249,132**

The ornamental design for a desk lamp, as shown and described.

(22) Filed: **Sep. 22, 2006**

DESCRIPTION

(51) **LOC (8) Cl.** **26-03**

The claimed desk lamp is a device that generates light, heat, or therapeutic radiation to be used on a desk.

(52) **U.S. Cl.** **D26/93**

(58) **Field of Classification Search** D26/51-59,
D26/93-112, 128-136; 362/125, 153, 153.1,
362/253, 410-414, 555, 806, 1, 2, 92; D24/200,
D24/209, 210; 607/88-96

FIG. 1 is a front elevational view of a desk lamp showing my new design;

FIG. 2 is a rear elevational view thereof;

FIG. 3 is a left side view thereof;

FIG. 4 is a right side view thereof;

FIG. 5 is a top plan view thereof;

FIG. 6 is a bottom plan view thereof; and,

FIG. 7 is a perspective view thereof.

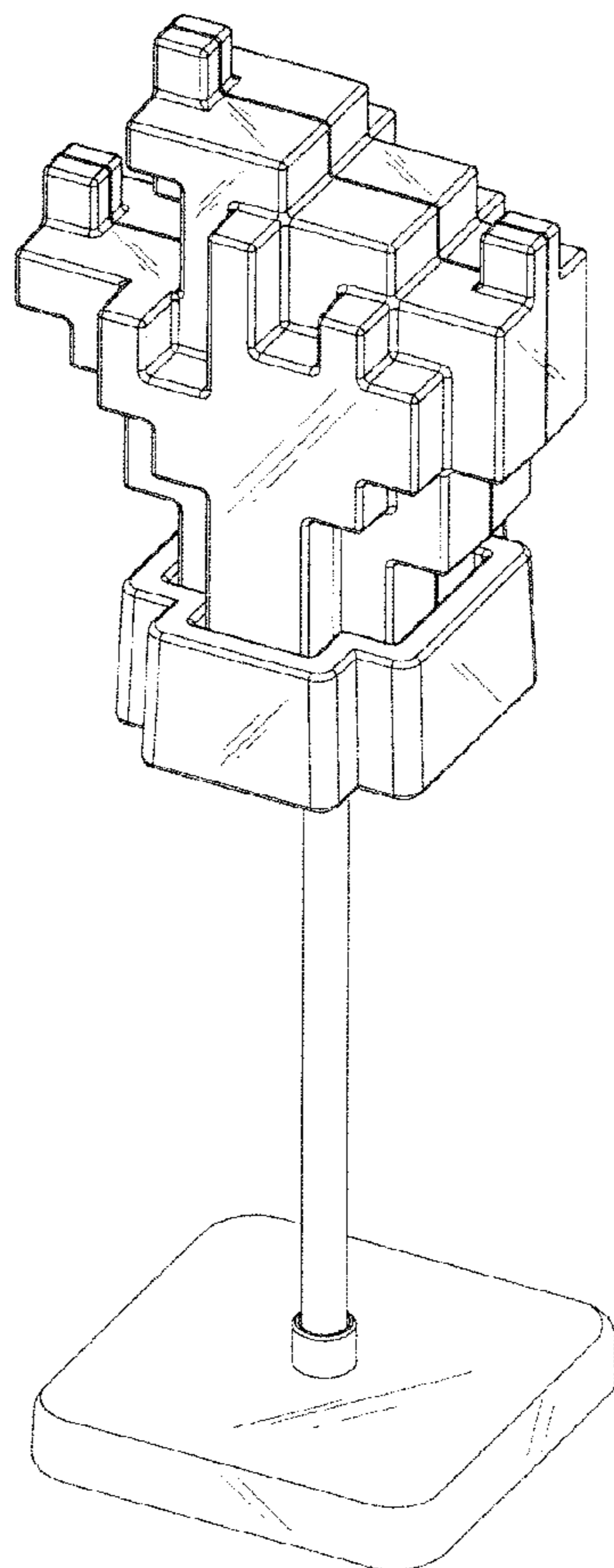
See application file for complete search history.

(56) **References Cited**

U.S. PATENT DOCUMENTS

- D149,993 S * 6/1948 Winkler et al. D24/210
- D226,021 S * 1/1973 Haft D24/210
- D294,068 S * 2/1988 Platner D26/81

1 Claim, 3 Drawing Sheets



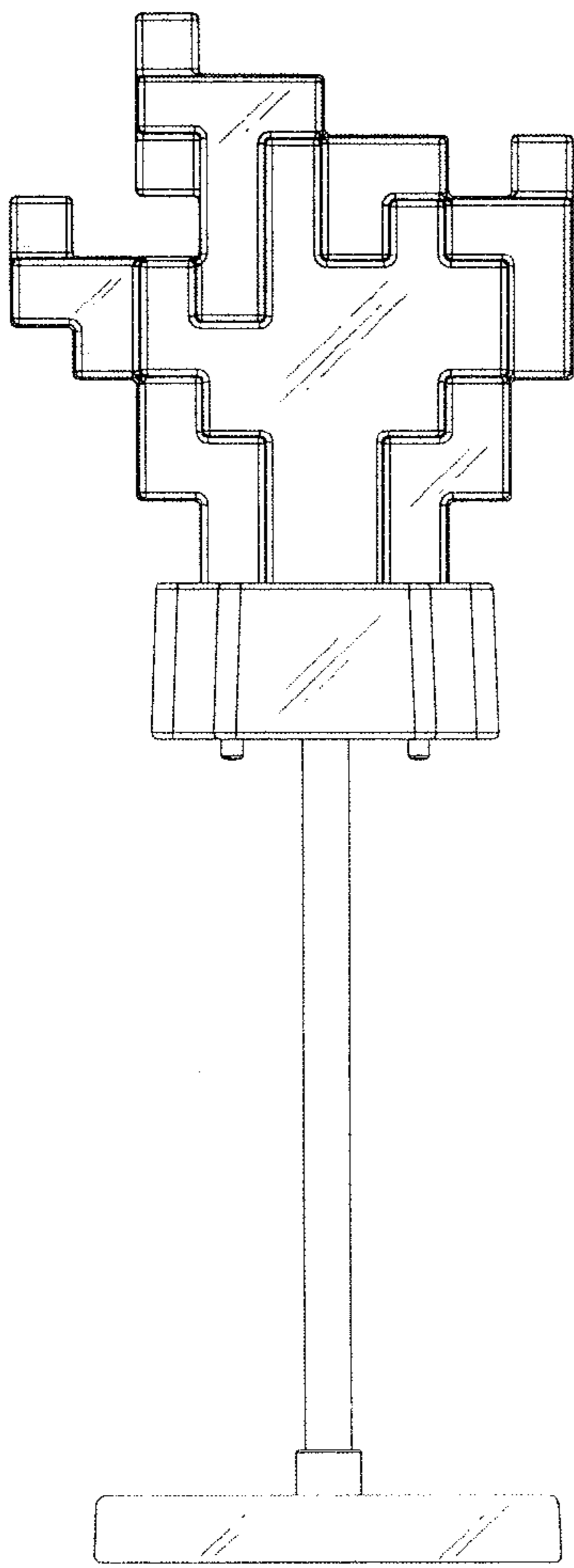


FIG. 1

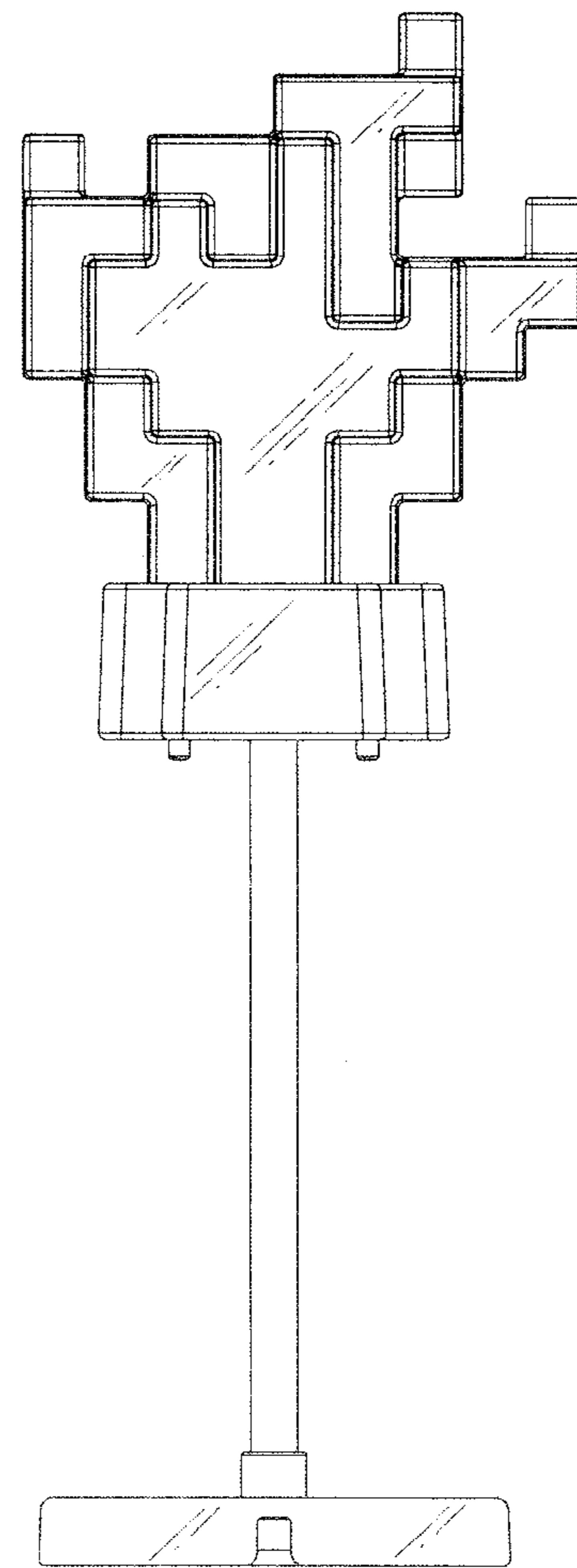


FIG. 2

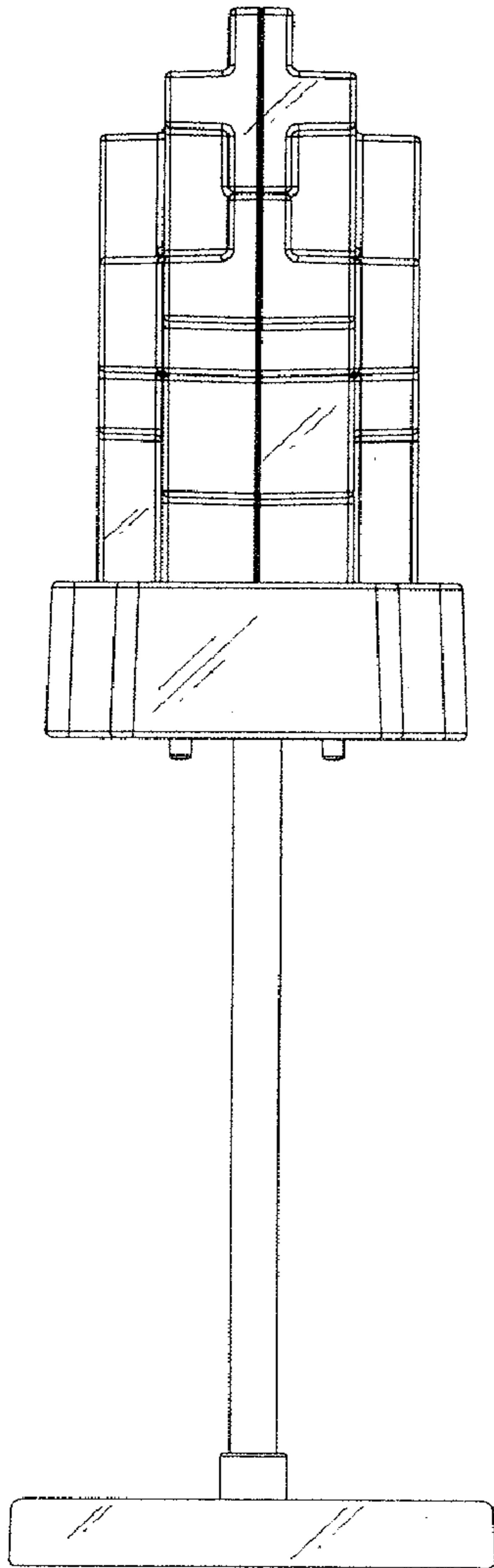


FIG. 3

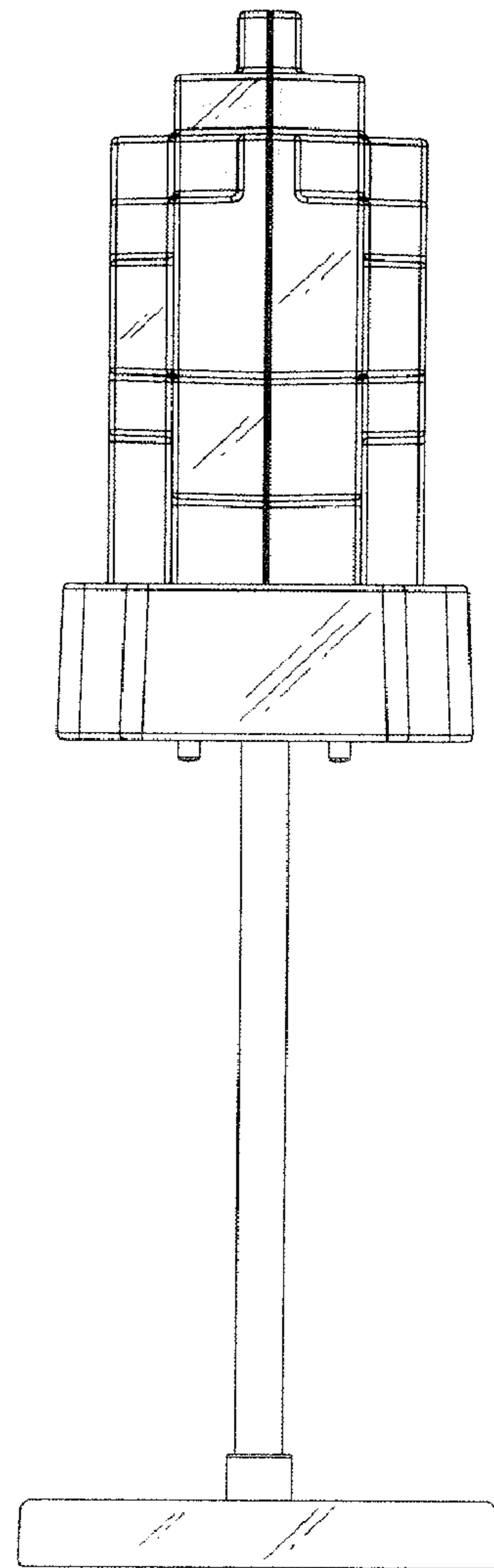


FIG. 4

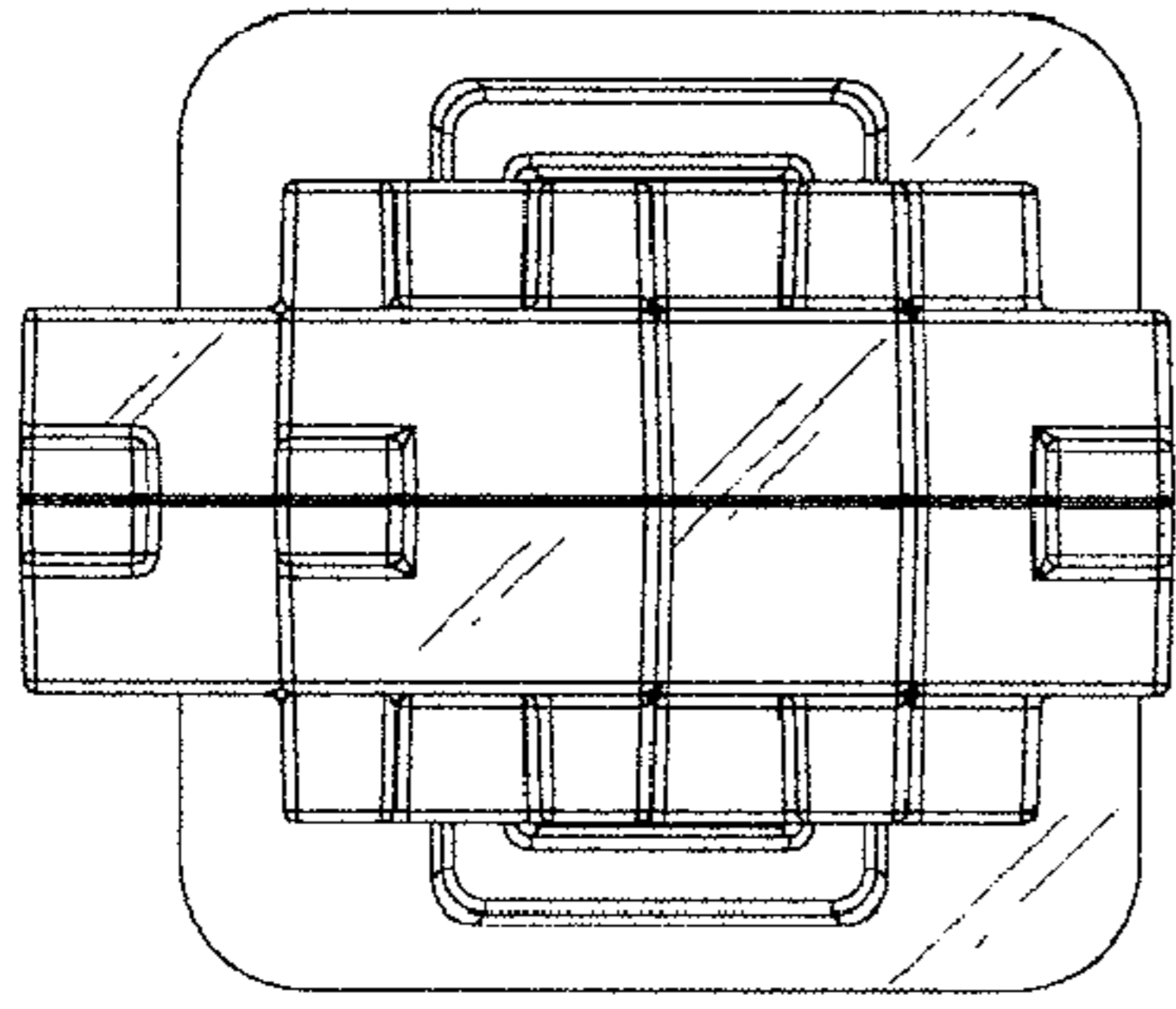


FIG. 5

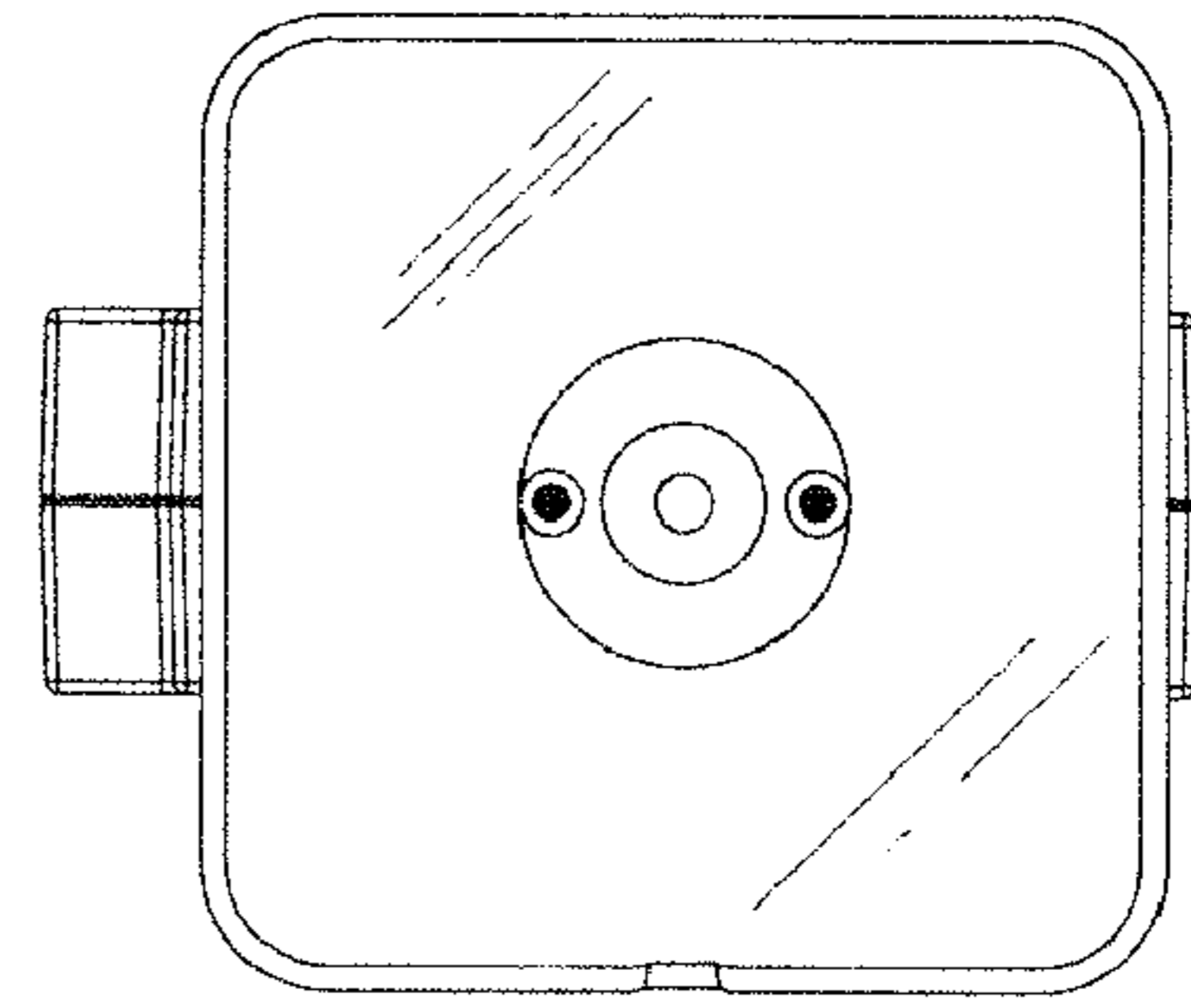


FIG. 6

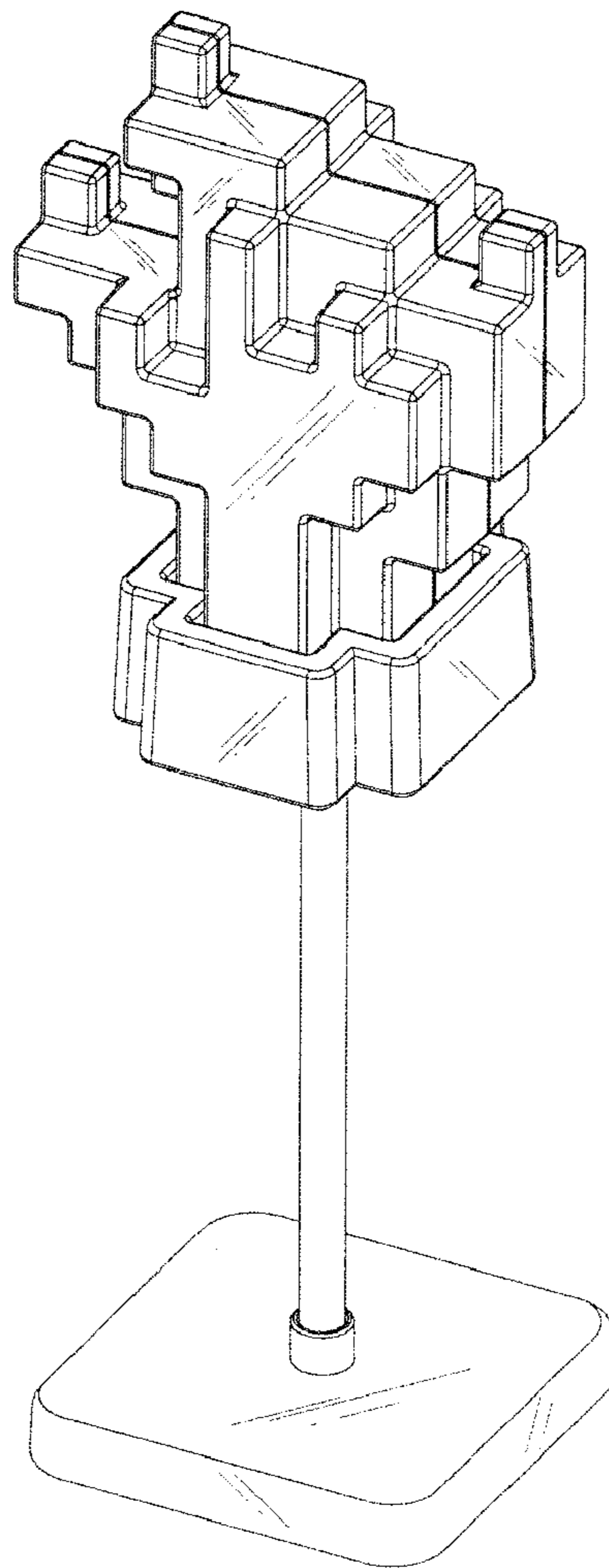


FIG. 7