

US00D557447S

(12) **United States Design Patent**
Hsu

(10) **Patent No.:** **US D557,447 S**

(45) **Date of Patent:** **** Dec. 11, 2007**

(54) **PENDANT LAMP**

D539,965 S * 4/2007 Hsu D26/88

(75) Inventor: **Keen Hsu**, Taichung (TW)

* cited by examiner

(73) Assignee: **Dong Guan Bright Yinhuey Lighting Co., Ltd.**, Guang Dong (CN)

Primary Examiner—Clare E Heflin

(74) *Attorney, Agent, or Firm*—Alan Kamrath; Kamrath & Associates P.A.

(**) Term: **14 Years**

(57) **CLAIM**

(21) Appl. No.: **29/281,328**

The ornamental design for a pendant lamp, as shown and described.

(22) Filed: **Jun. 20, 2007**

(51) **LOC (8) Cl.** **26-03**

(52) **U.S. Cl.** **D26/88**

(58) **Field of Classification Search** D26/84,
D26/88, 89, 91; 362/147, 404, 407, 408
See application file for complete search history.

DESCRIPTION

FIG. 1 is a front elevational view of a pendant lamp showing my design;

FIG. 2 is a rear elevational view thereof;

FIG. 3 is a left side elevational view thereof;

FIG. 4 is a right side elevational view thereof;

FIG. 5 is a top plan view thereof; and,

FIG. 6 is a bottom plan view thereof.

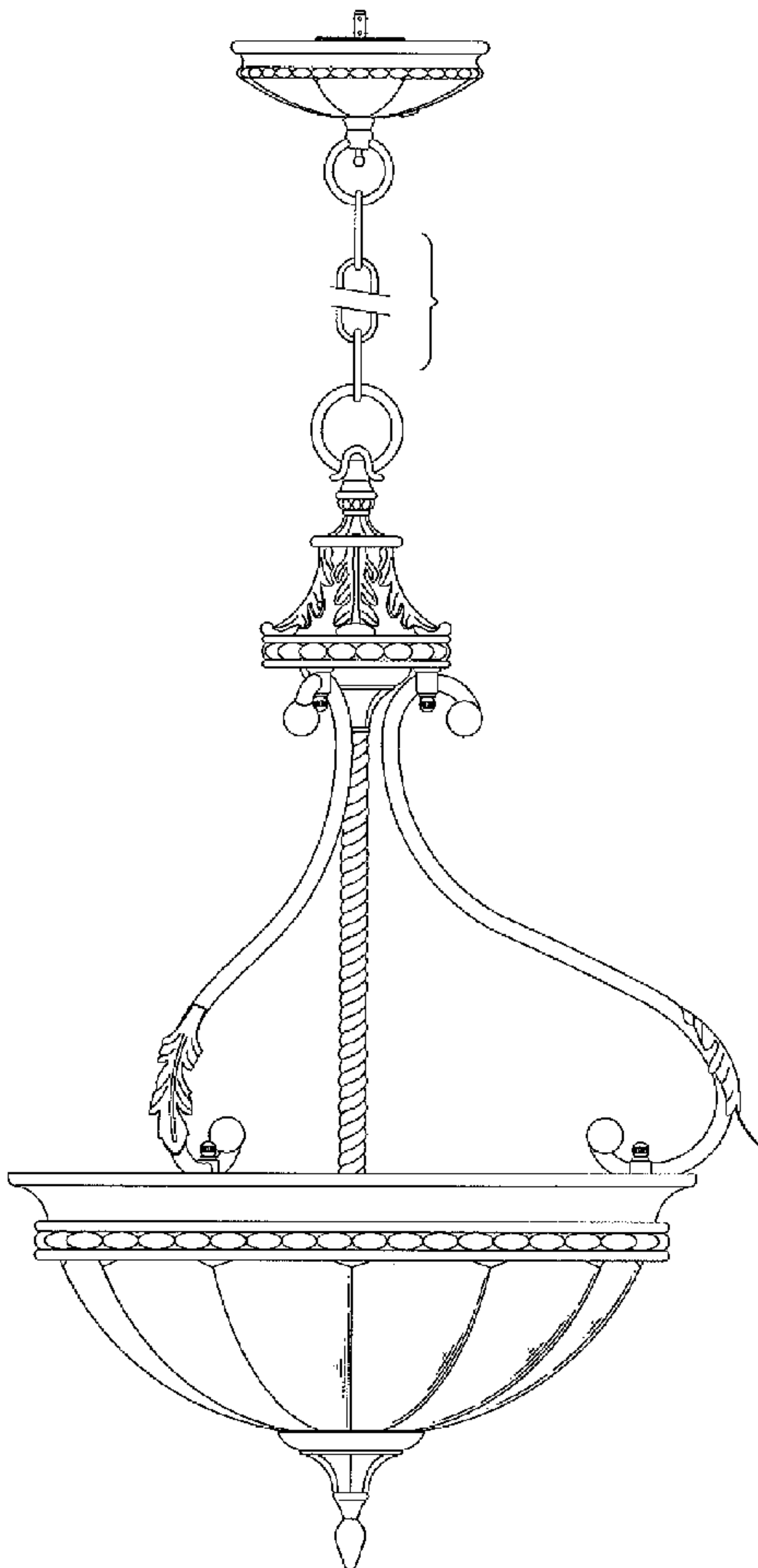
The chain is shown broken-away for illustrative purposes only.

(56) **References Cited**

U.S. PATENT DOCUMENTS

D44,120 S *	5/1913	Young	D26/88
D51,085 S *	7/1917	Vaughn	D26/88
1,438,344 A *	12/1922	Sweet	439/24
D503,490 S *	3/2005	Curtin	D26/89
D503,824 S *	4/2005	Curtin	D26/89

1 Claim, 6 Drawing Sheets



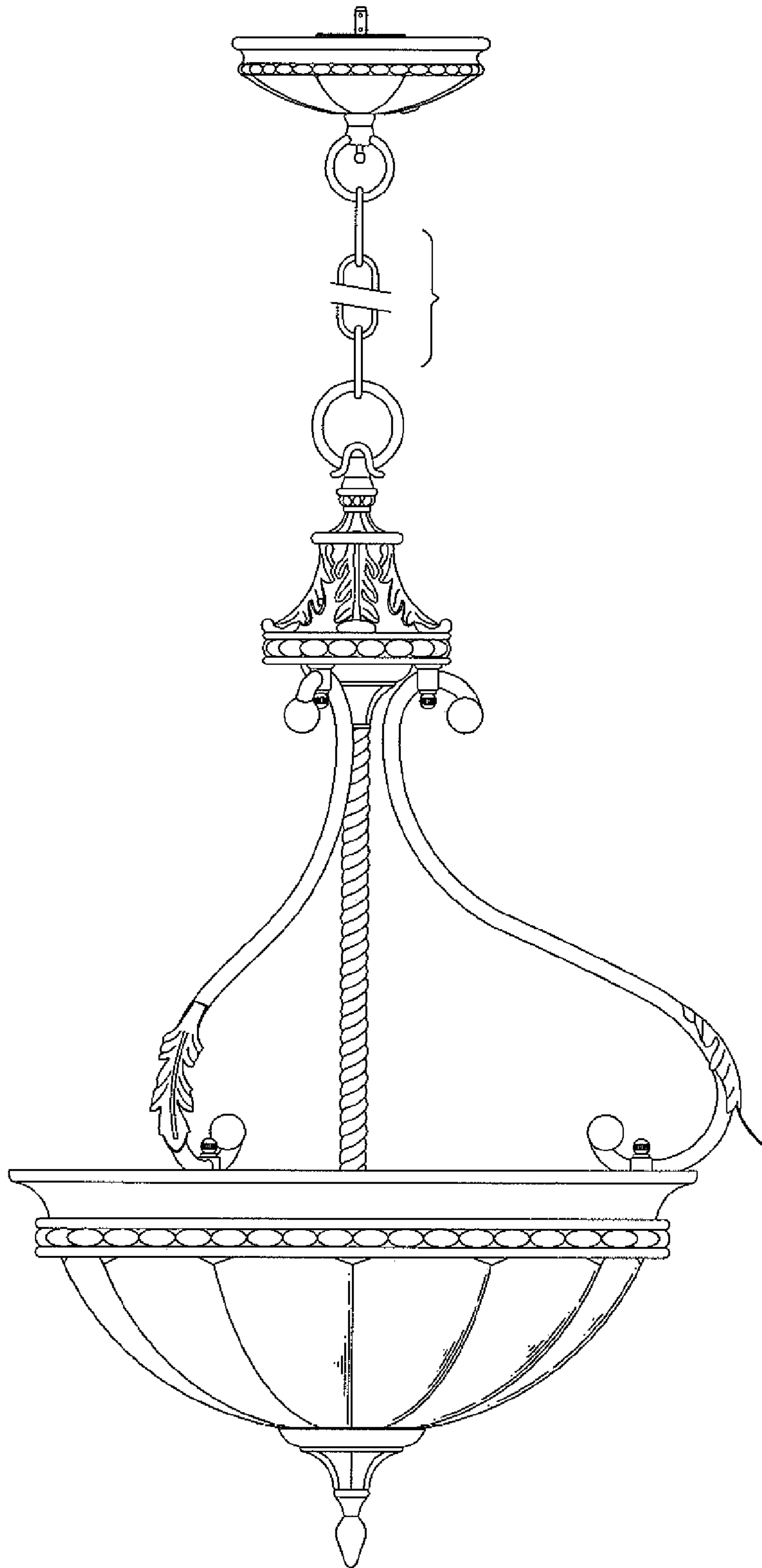


FIG. 1

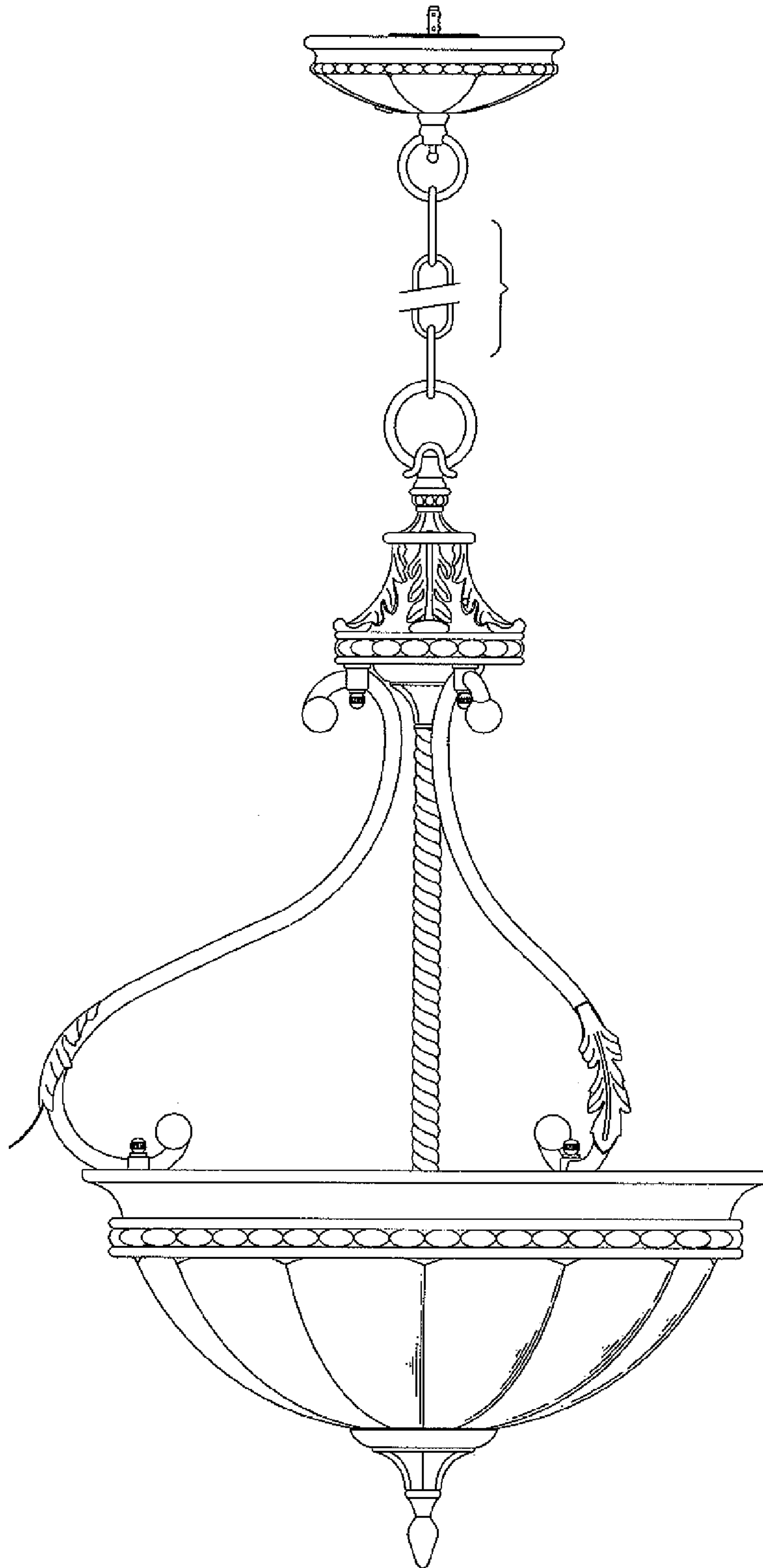


FIG. 2

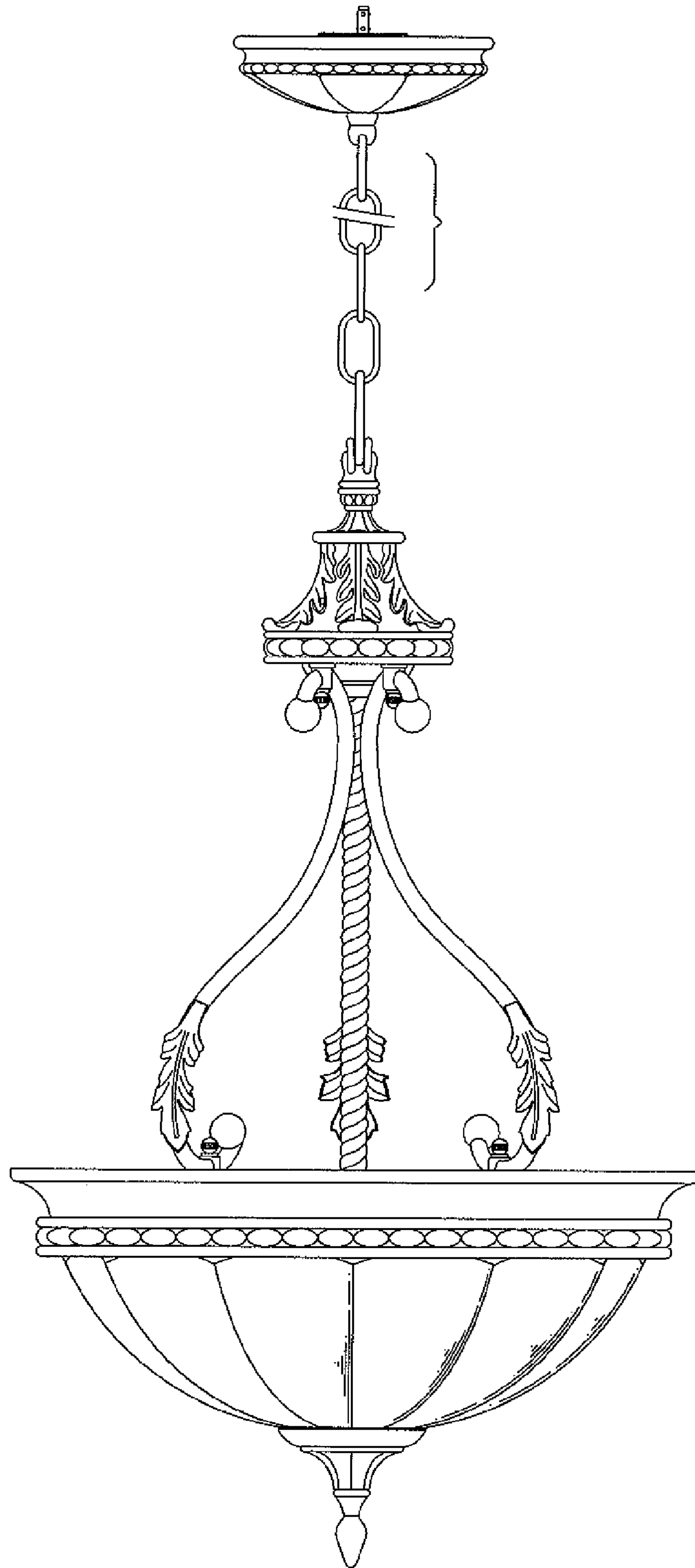


FIG. 3

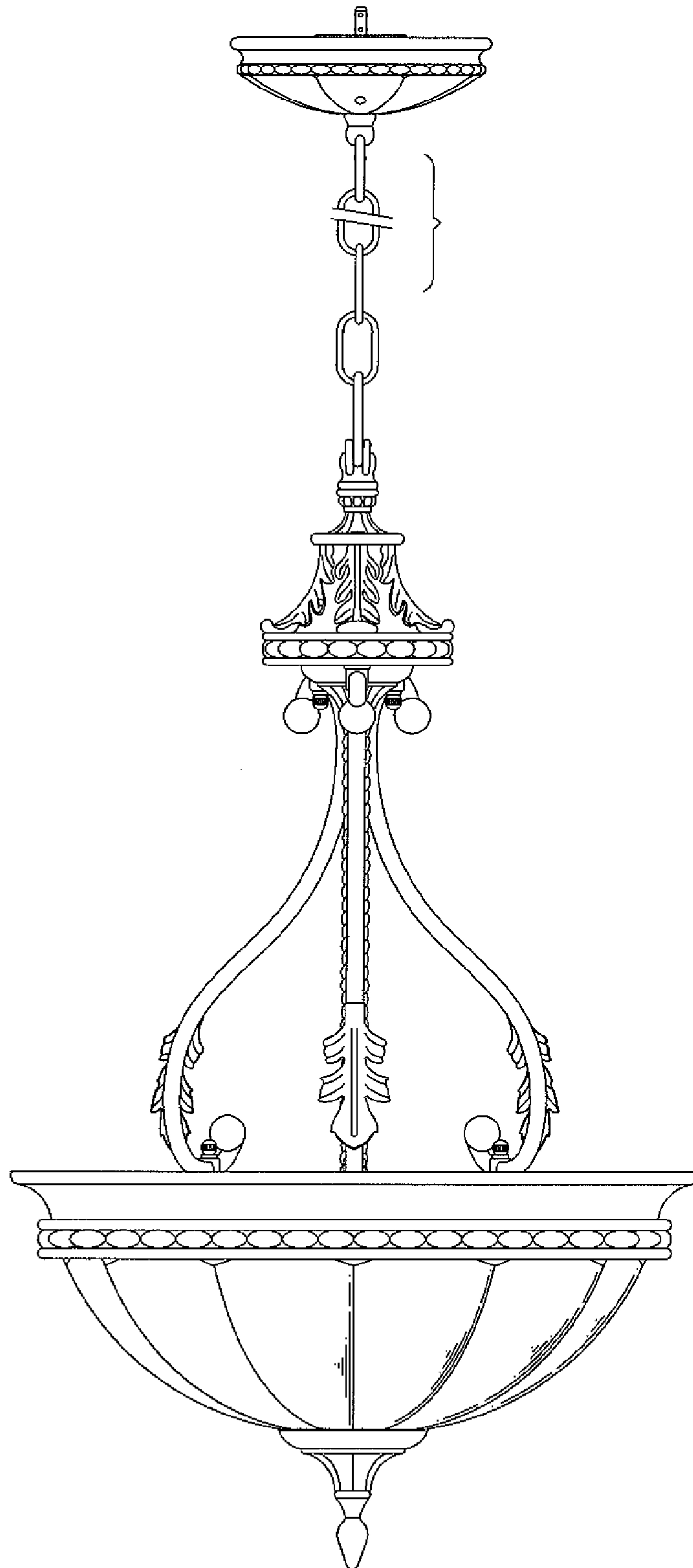


FIG. 4

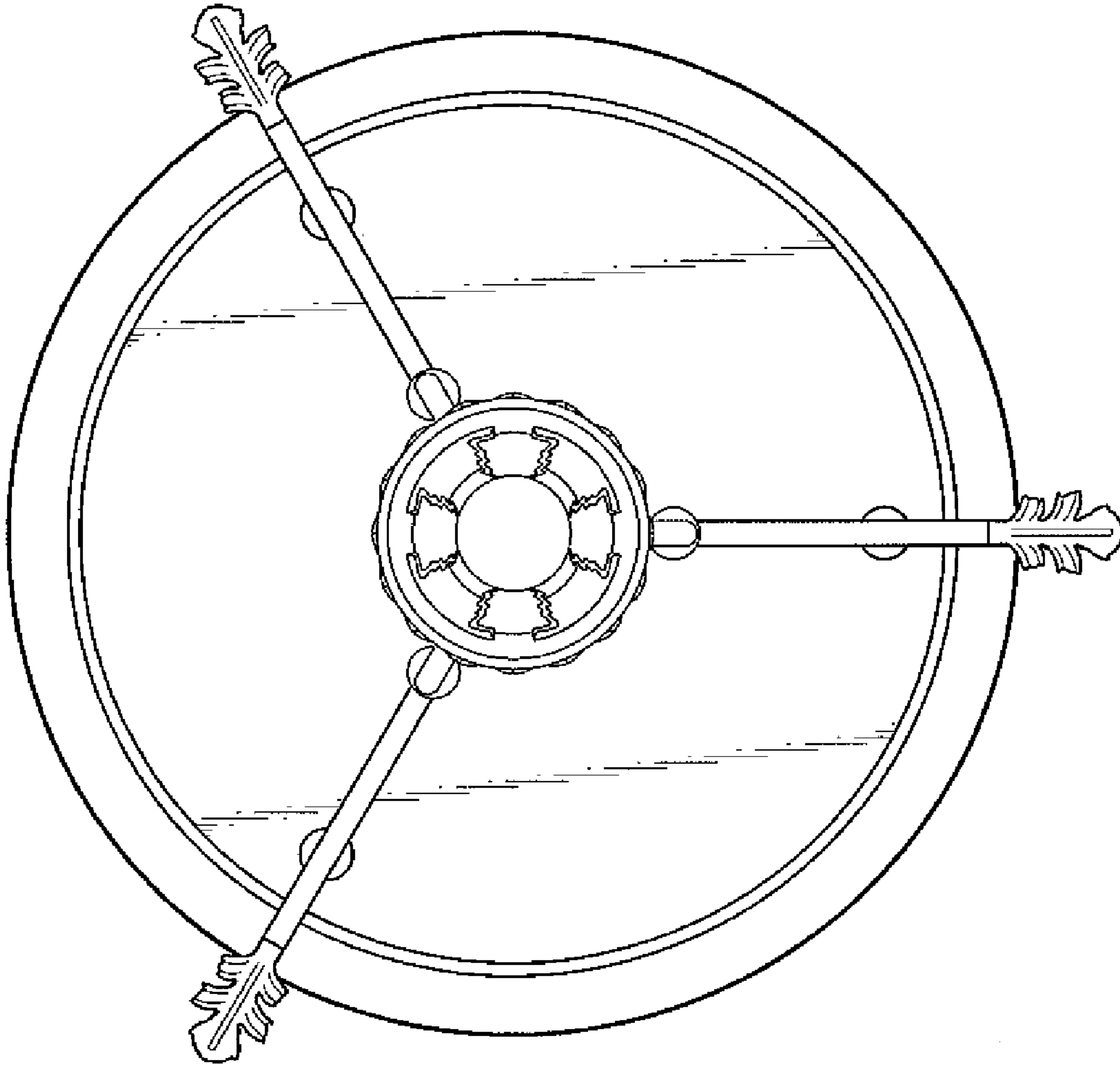


FIG. 5

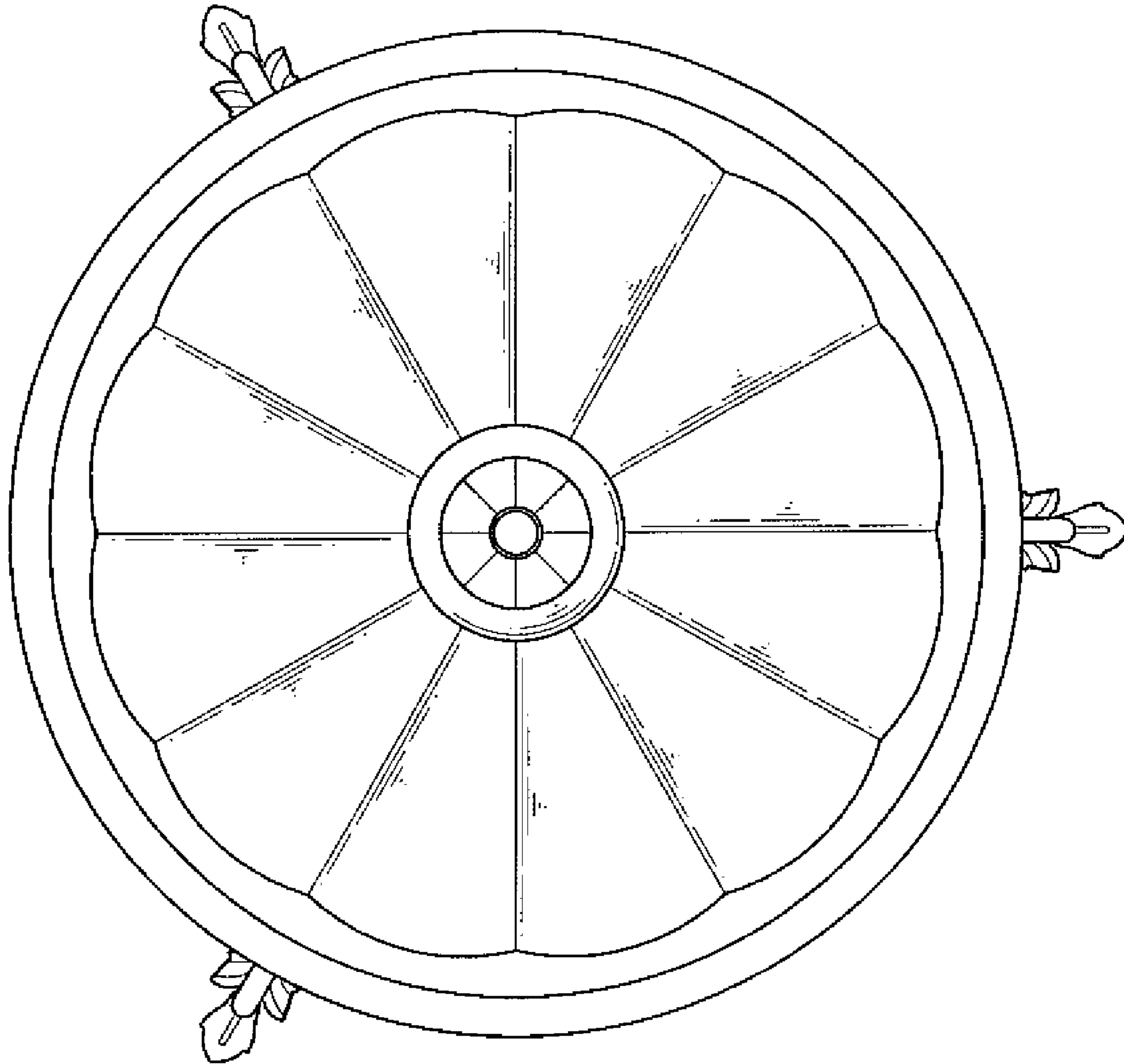


FIG. 6