



US00D557444S

(12) **United States Design Patent** (10) **Patent No.:** **US D557,444 S**
Ruggles et al. (45) **Date of Patent:** **** Dec. 11, 2007**

(54) **LIGHT FIXTURE**

(75) Inventors: **Patrick H. Ruggles**, Solon, OH (US);
James Hampshire, Marblehead, OH (US)

(73) Assignee: **Adjusta-Post Lighting Company**,
Norton, OH (US)

(**) Term: **14 Years**

(21) Appl. No.: **29/250,212**

(22) Filed: **Nov. 7, 2006**

(51) **LOC (8) Cl.** **26-03**

(52) **U.S. Cl.** **D26/88**

(58) **Field of Classification Search** D26/81,
D26/83-86, 88, 90, 91, 135; 362/147, 363,
362/404, 407, 408

See application file for complete search history.

(56) **References Cited**

U.S. PATENT DOCUMENTS

- D40,407 S * 12/1909 Benjamin D26/84
- 2,138,635 A * 11/1938 Hoeveler 362/366
- D150,357 S * 7/1948 Herbster D23/390
- 3,593,014 A 7/1971 Vesely
- 4,231,080 A 10/1980 Compton
- D263,340 S 3/1982 Budnovitch et al.
- 4,729,073 A 3/1988 Klaus
- D307,642 S * 5/1990 DiCola D26/85
- D323,567 S 1/1992 Denison et al.
- D366,713 S 1/1996 Cornell et al.
- D379,547 S 5/1997 Tognu'

- D382,308 S 8/1997 Cornell et al.
- D394,725 S 5/1998 Pink et al.
- D416,347 S * 11/1999 Klaus D26/86
- D417,522 S 12/1999 Klaus
- D426,011 S 5/2000 Giese et al.
- D427,353 S * 6/2000 Ewing et al. D26/85
- D427,354 S * 6/2000 Ewing et al. D26/85
- 6,805,471 B2 * 10/2004 Strelnieks 362/407

* cited by examiner

Primary Examiner—Clare E Heflin

(74) *Attorney, Agent, or Firm*—Hahn Loeser & Parks, LLP;
Timothy D. Smith

(57) **CLAIM**

The ornamental design for a light fixture, as shown and described.

DESCRIPTION

FIG. 1 is a front view of the light fixture of the embodiment of the present invention; and,

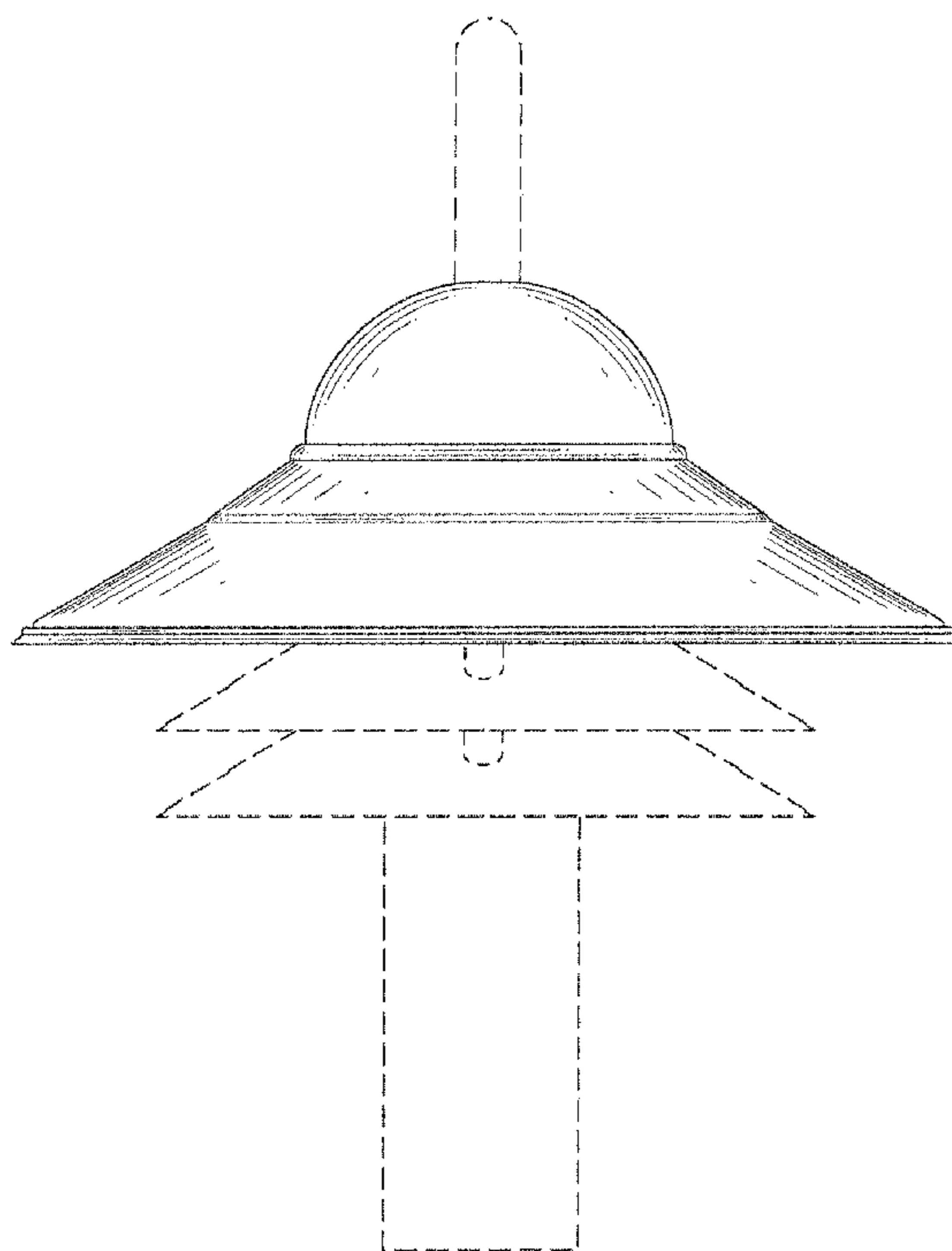
FIG. 2 is a left side view of the light fixture of the embodiment of the present invention as illustrated in FIG. 1.

The broken line disclosure is for illustrative purposes only and forms no part of the claimed design.

The surface(s) or portion(s) of the article not shown in the drawings or described in the specification form(s) no part of the claimed design.

The broken lines shown on the drawings are for illustrative purposes only and form no part of the claimed design.

1 Claim, 2 Drawing Sheets



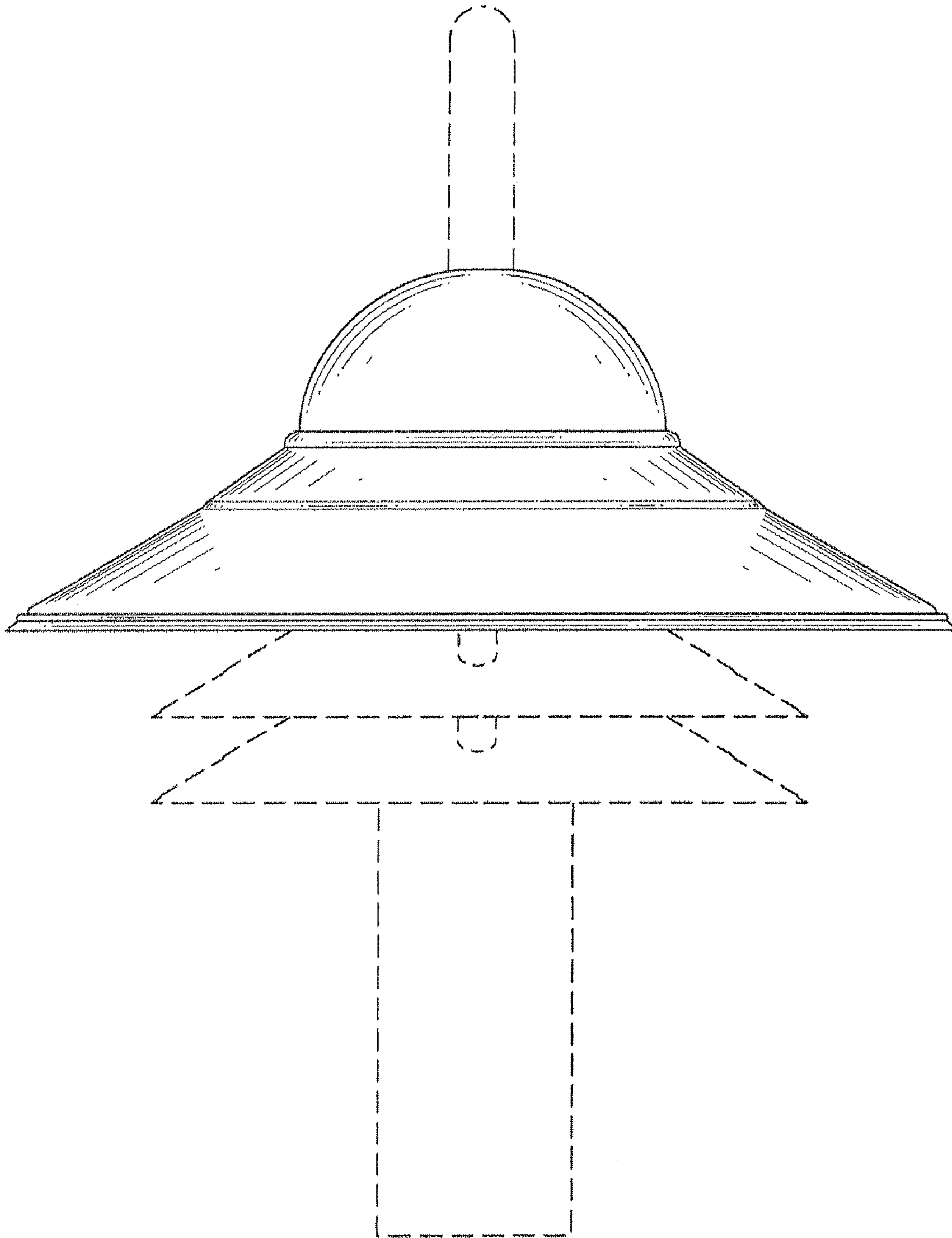


FIG. 1

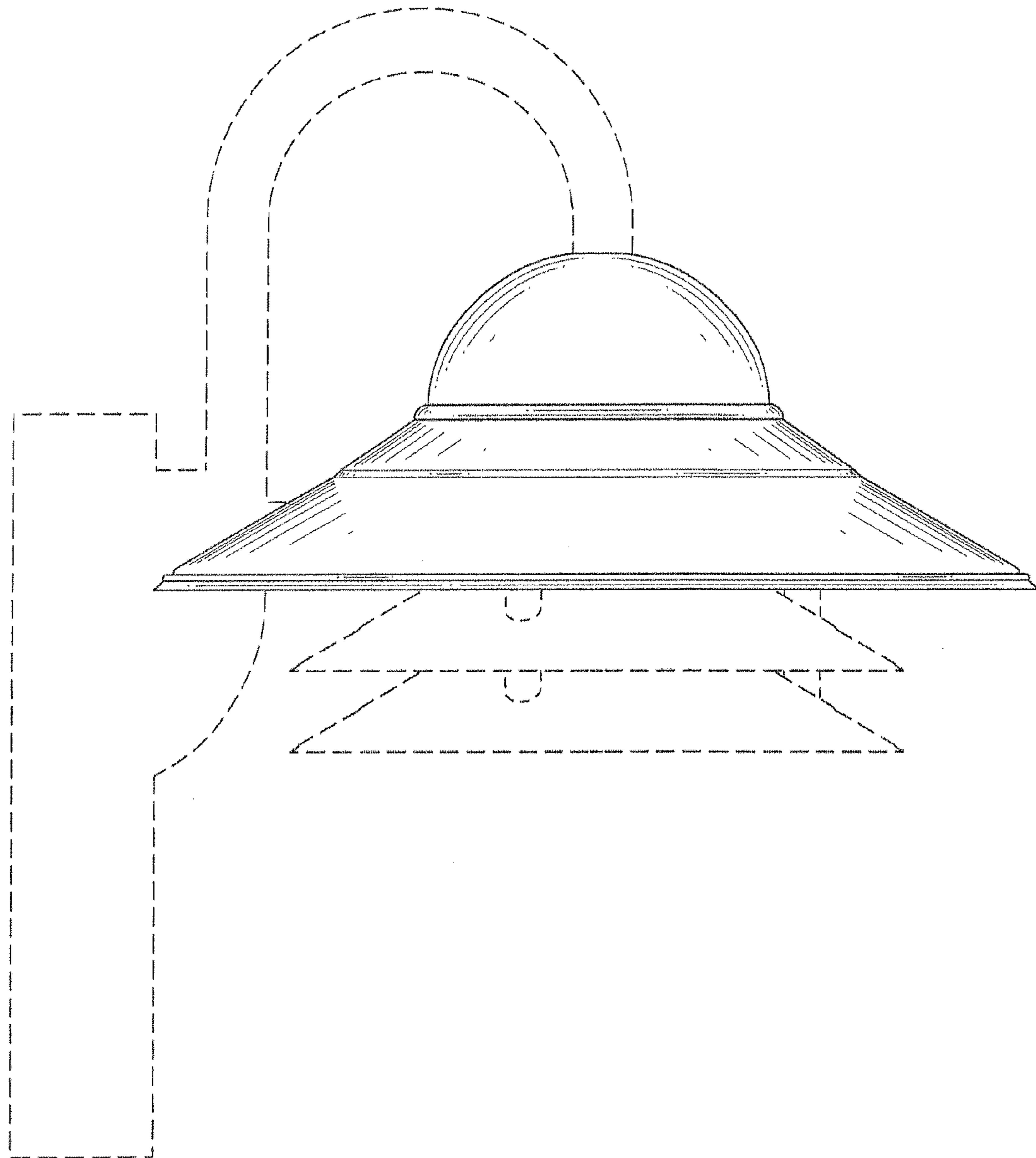


FIG. 2