



US00D557443S

(12) **United States Design Patent**
Hsu

(10) **Patent No.:** **US D557,443 S**

(45) **Date of Patent:** **** Dec. 11, 2007**

(54) **WALL LAMP**

(75) Inventor: **Keen Hsu**, Taichung (TW)

(73) Assignee: **Dong Guan Bright Yinhuey Lighting Co., Ltd.**, Guang Dong (CN)

(**) Term: **14 Years**

(21) Appl. No.: **29/281,322**

(22) Filed: **Jun. 20, 2007**

(51) **LOC (8) Cl.** **26-03**

(52) **U.S. Cl.** **D26/87; D26/92**

(58) **Field of Classification Search** D26/72,
D26/85-87, 92, 130, 131, 137; 362/147,
362/432

See application file for complete search history.

(56) **References Cited**

U.S. PATENT DOCUMENTS

- D418,244 S * 12/1999 Meck et al. D26/87
- D420,461 S * 2/2000 Meck et al. D26/87
- D428,662 S * 7/2000 Jaspers-Fayer et al. D26/67

OTHER PUBLICATIONS

All lanterns on p. 357 of the Kichler Lighting catalog No. 104; (C)2003.*

Lantern model #1632PB from the Design House Lighting catalog.* All fixture shown on p. 121 of the American Lantern catalog No. ALC-687. (date is at least prior to Sep. 2000).*

“Kensington” model from the Kichler Lighting catalog No. 104; (C)2003.*

* cited by examiner

Primary Examiner—Clare E Heflin

(74) *Attorney, Agent, or Firm*—Alan Kamrath; Kamrath & Associates P.A.

(57) **CLAIM**

The ornamental design for a wall lamp, as shown and described.

DESCRIPTION

FIG. 1 is a front elevational view of a wall lamp showing my design;

FIG. 2 is a rear elevational view thereof;

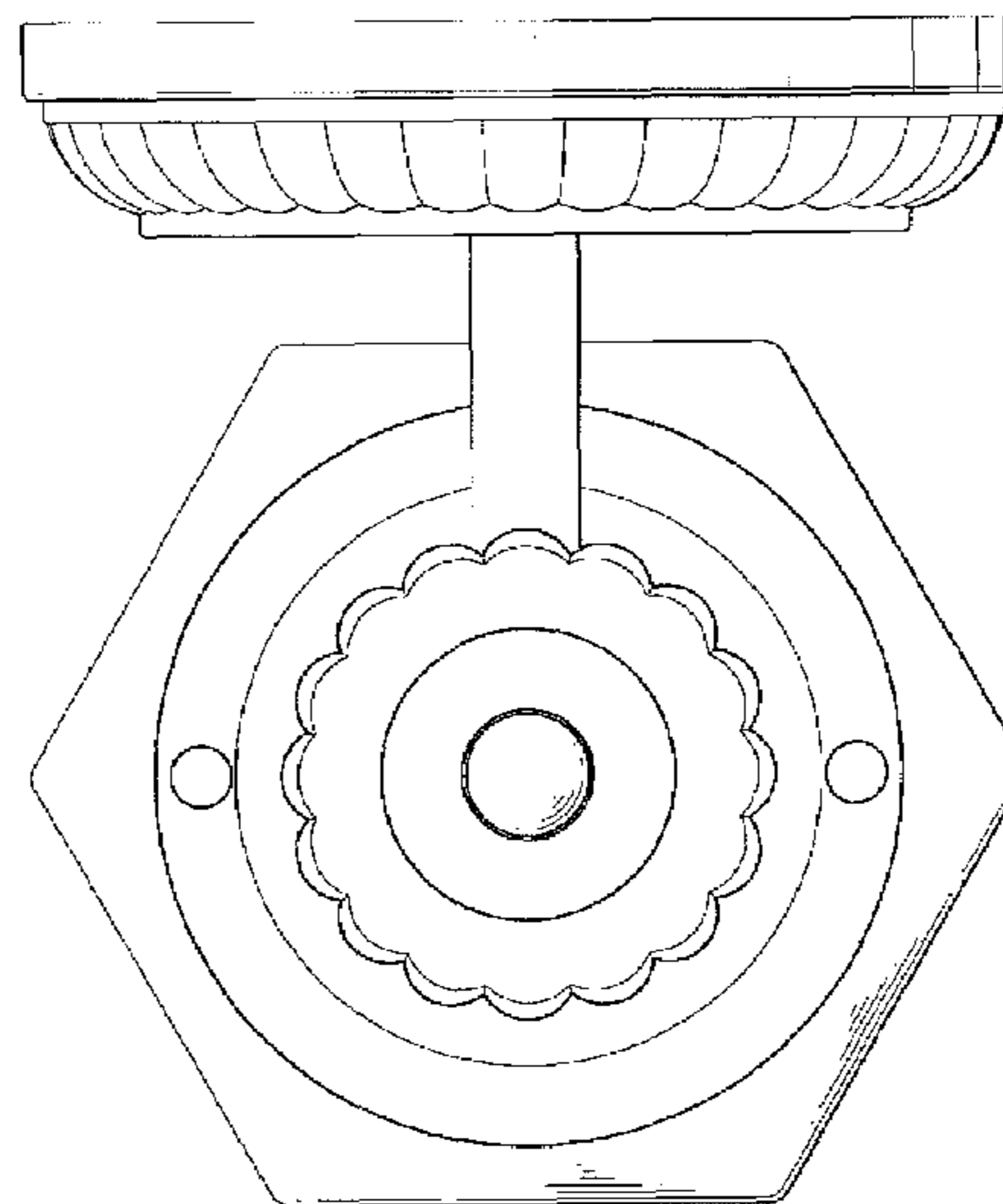
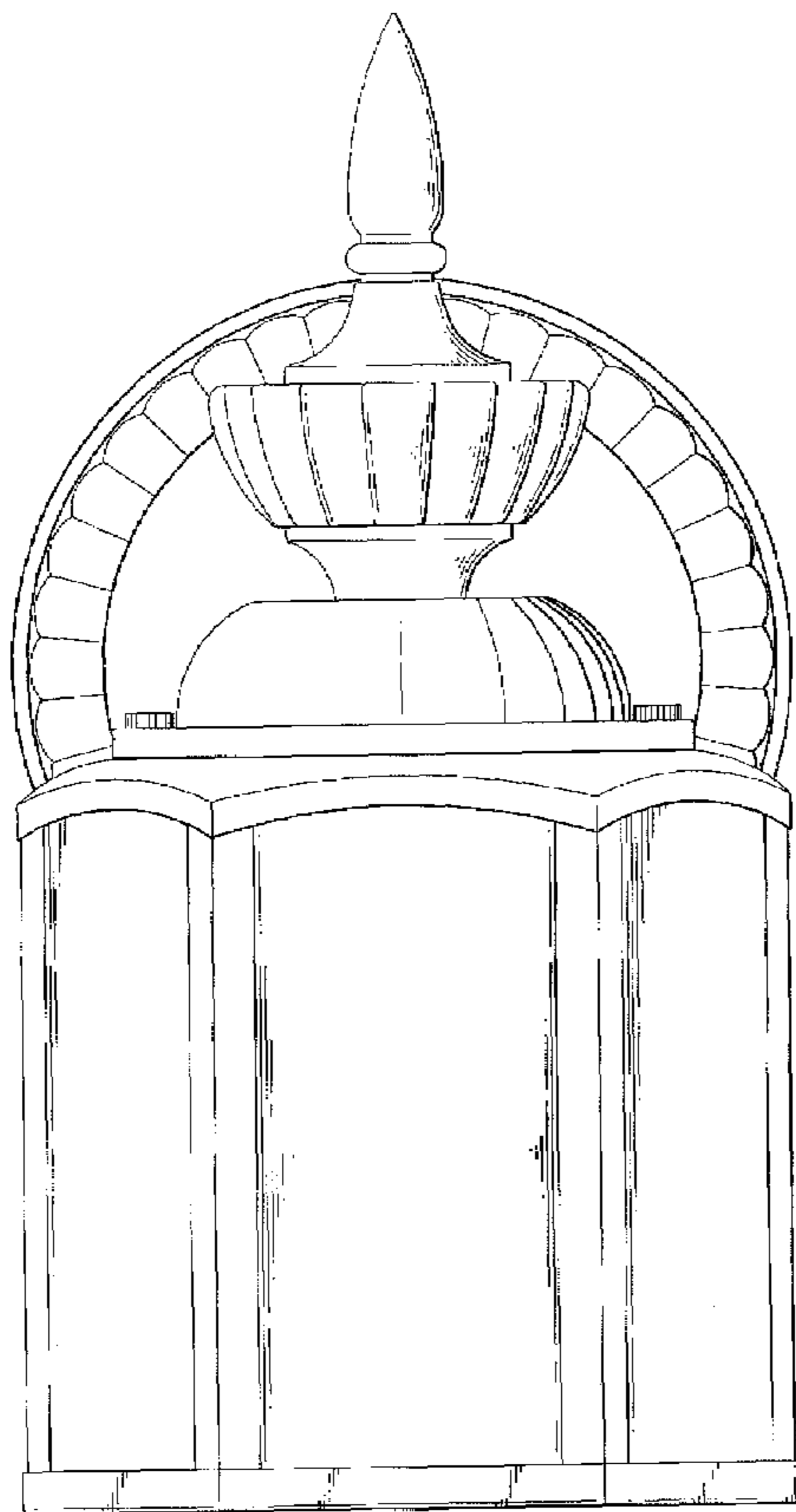
FIG. 3 is a left side elevational view thereof;

FIG. 4 is a right side elevational view thereof;

FIG. 5 is a top plan view thereof; and,

FIG. 6 is a bottom plan view thereof.

1 Claim, 6 Drawing Sheets



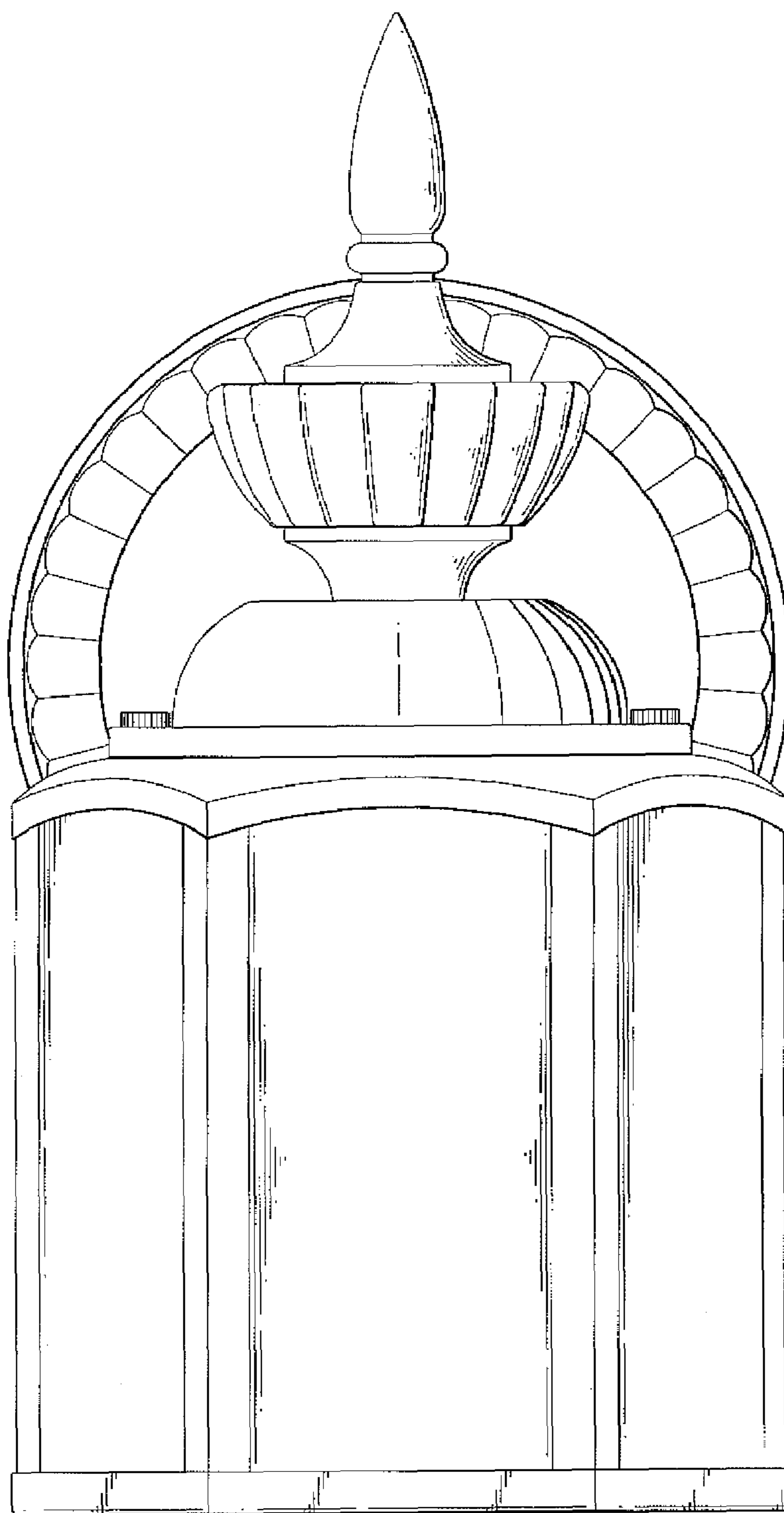


FIG. 1

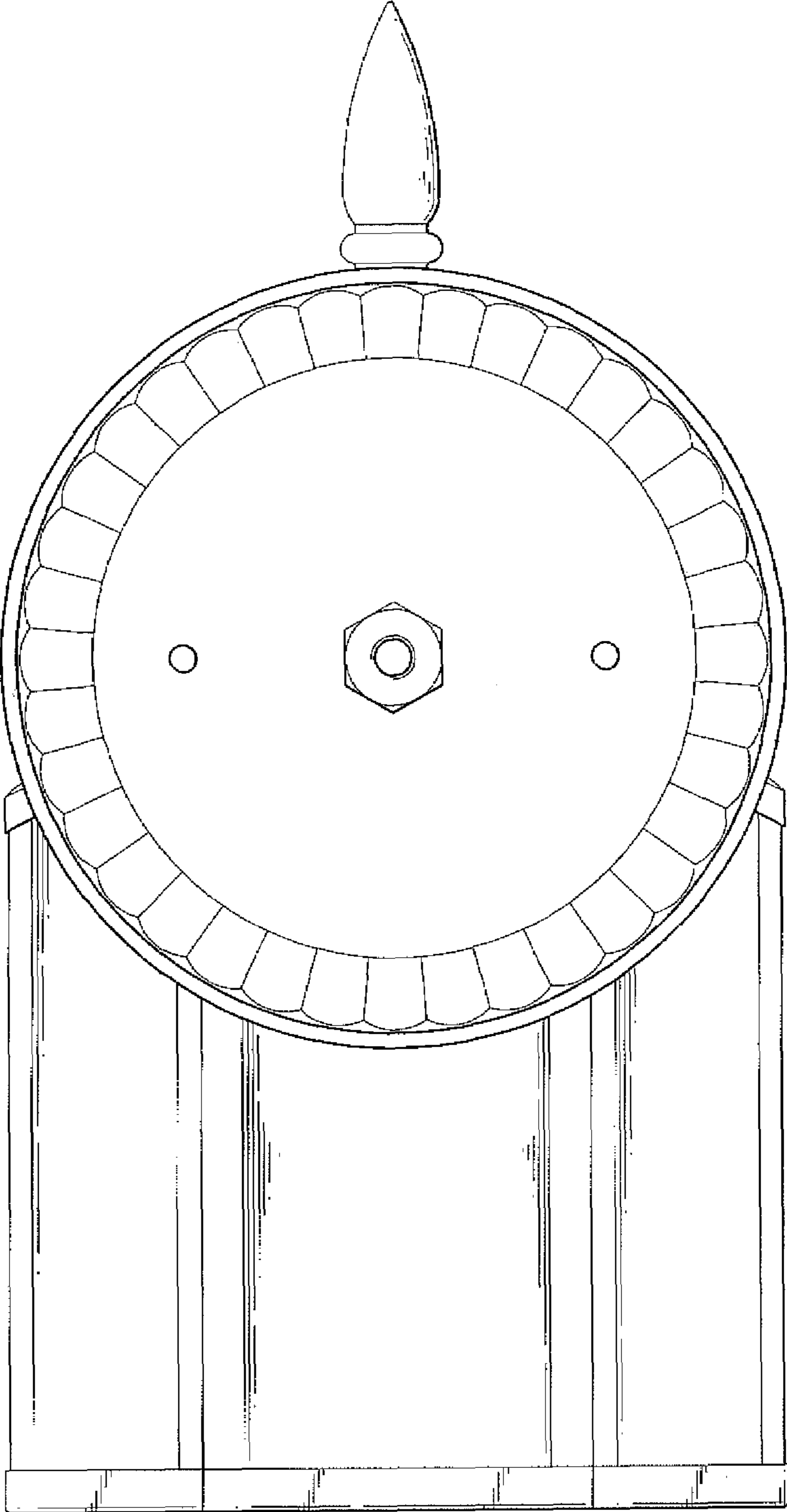


FIG. 2

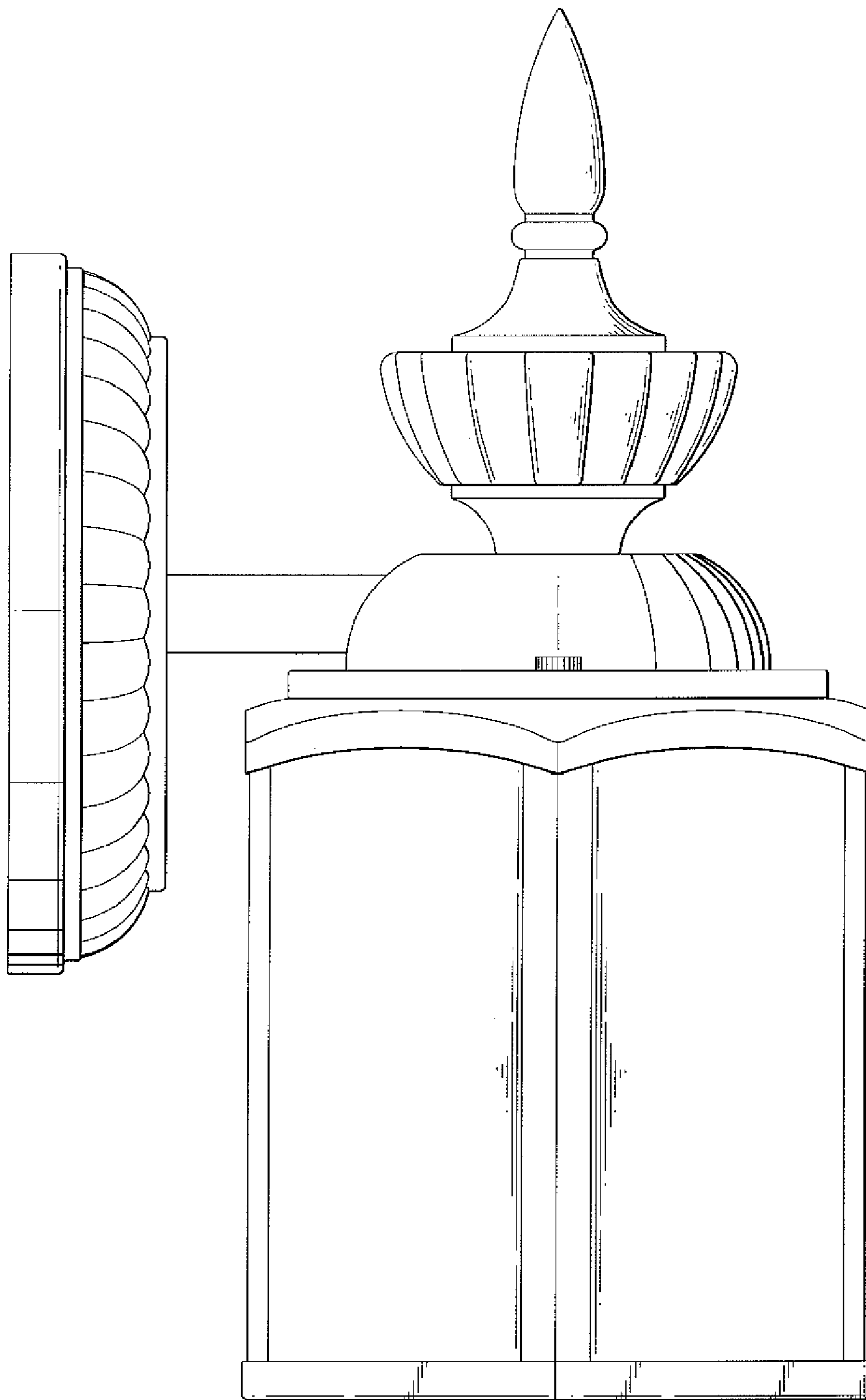


FIG. 3

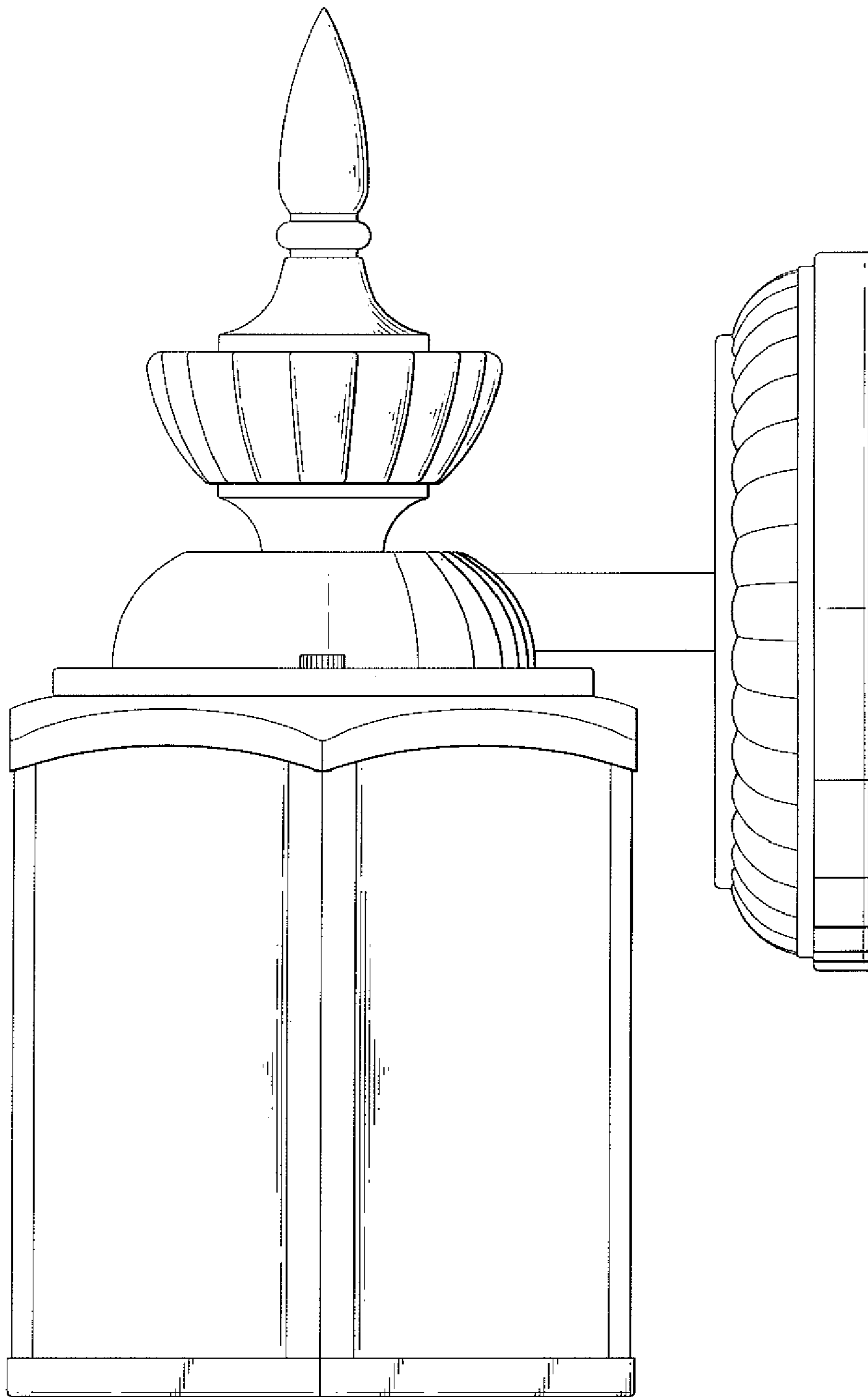


FIG. 4

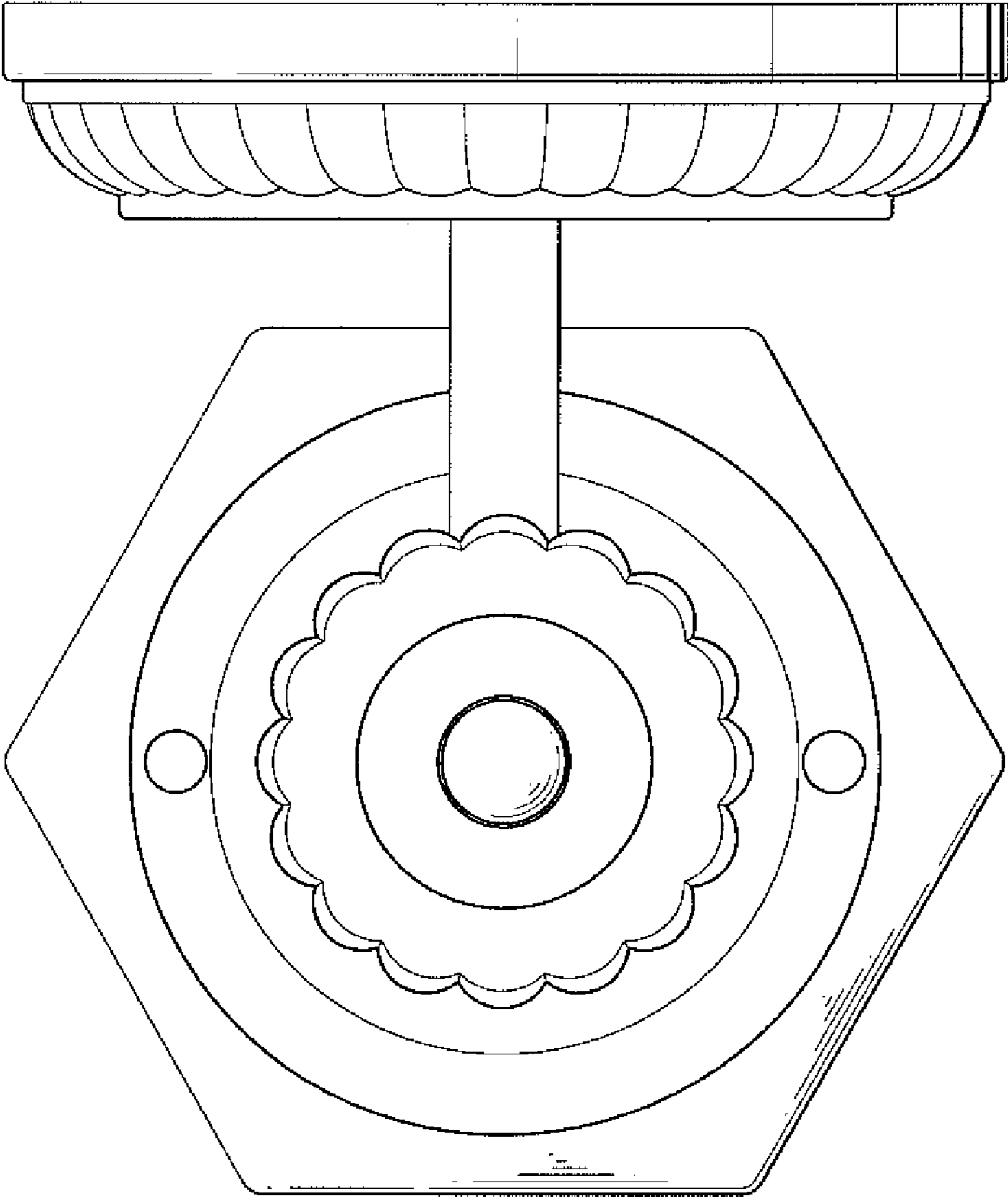


FIG. 5

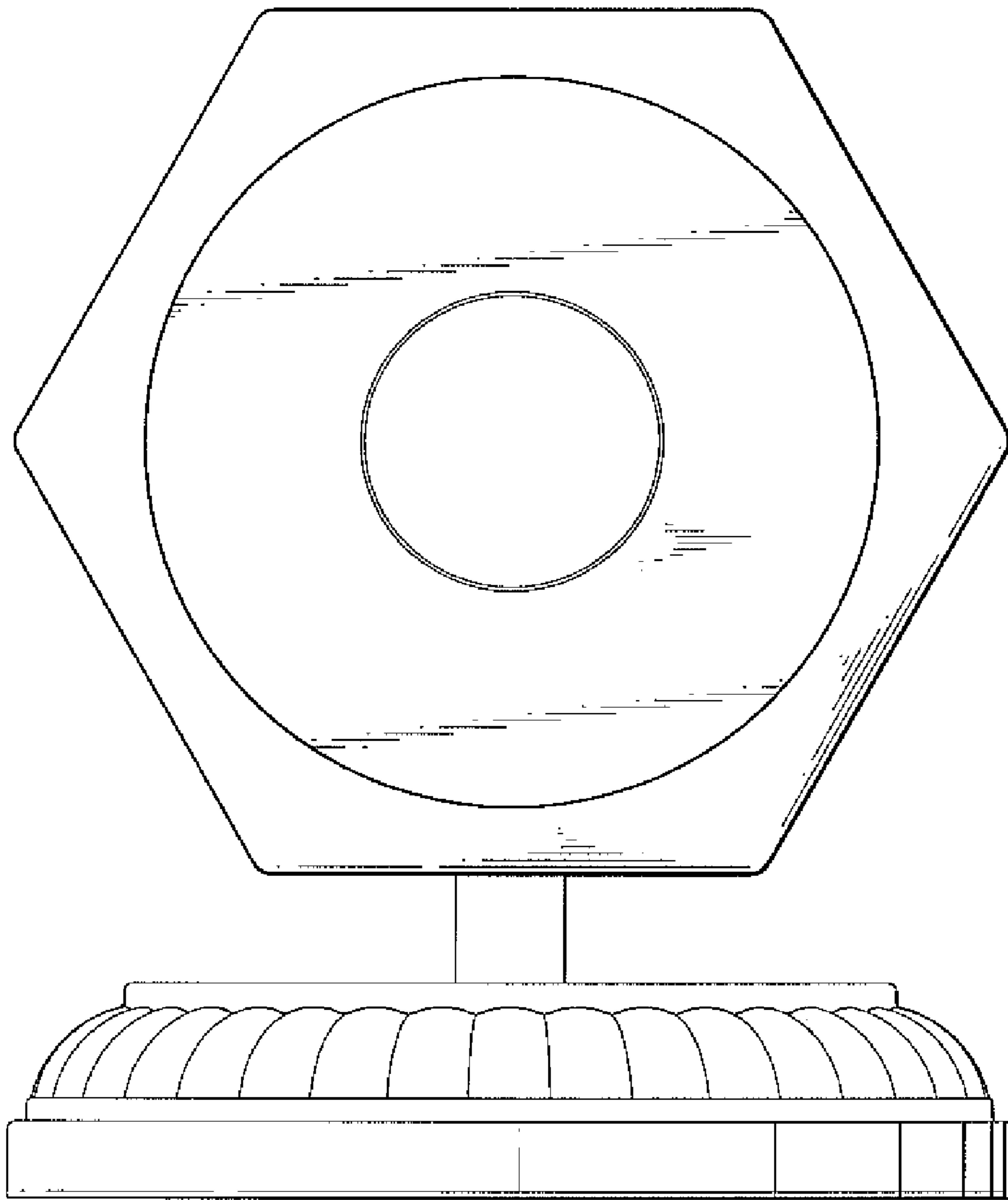


FIG. 6