



US00D557441S

(12) **United States Design Patent**
Hsu

(10) **Patent No.:** **US D557,441 S**

(45) **Date of Patent:** **** Dec. 11, 2007**

(54) **PENDENT LAMP**

D542,456 S * 5/2007 Swanson D26/65

(75) Inventor: **Keen Hsu**, Taichung (TW)

OTHER PUBLICATIONS

(73) Assignee: **Dong Guan Bright Yinhuey Lighting Co., Ltd.**, Guang Dong (CN)

Lamp No. f1739/3 AC and Lamp No. P1057 AC on p. 121 of the Murray-Fleiss 2004 Edition of The Big Book Catalog.*
“Isfall” and “Bogsprot” lamps on p. 310 of the IKEA 2005 Catalog.*

(**) Term: **14 Years**

* cited by examiner

(21) Appl. No.: **29/280,067**

Primary Examiner—Clare E Heflin

(22) Filed: **May 15, 2007**

(74) *Attorney, Agent, or Firm*—Alan Kamrath; Kamrath & Associates P.A.

(51) **LOC (8) Cl.** **26-03**

(52) **U.S. Cl.** **D26/83**

(58) **Field of Classification Search** D26/80–87,
D26/92, 61, 63; 362/147, 432, 404–406
See application file for complete search history.

(57) **CLAIM**

The ornamental design for a pendent lamp, as shown and described.

(56) **References Cited**

DESCRIPTION

U.S. PATENT DOCUMENTS

FIG. 1 is a front elevational view of a pendent lamp showing my design;

1,090,154	A	*	3/1914	Johns	362/406
D67,088	S	*	4/1925	Klein	D26/83
D76,194	S	*	8/1928	Knorr	D26/84
D90,017	S	*	5/1933	Bush	D26/84
D307,060	S	*	4/1990	Fraser	D26/88
D431,312	S	*	9/2000	Miranda	D26/84
D435,133	S	*	12/2000	Miranda	D26/84
D442,718	S	*	5/2001	Wachter	D26/63
D473,000	S	*	4/2003	Hoernig	D26/80
D515,233	S	*	2/2006	Miranda	D26/87

FIG. 2 is a rear elevational view thereof;

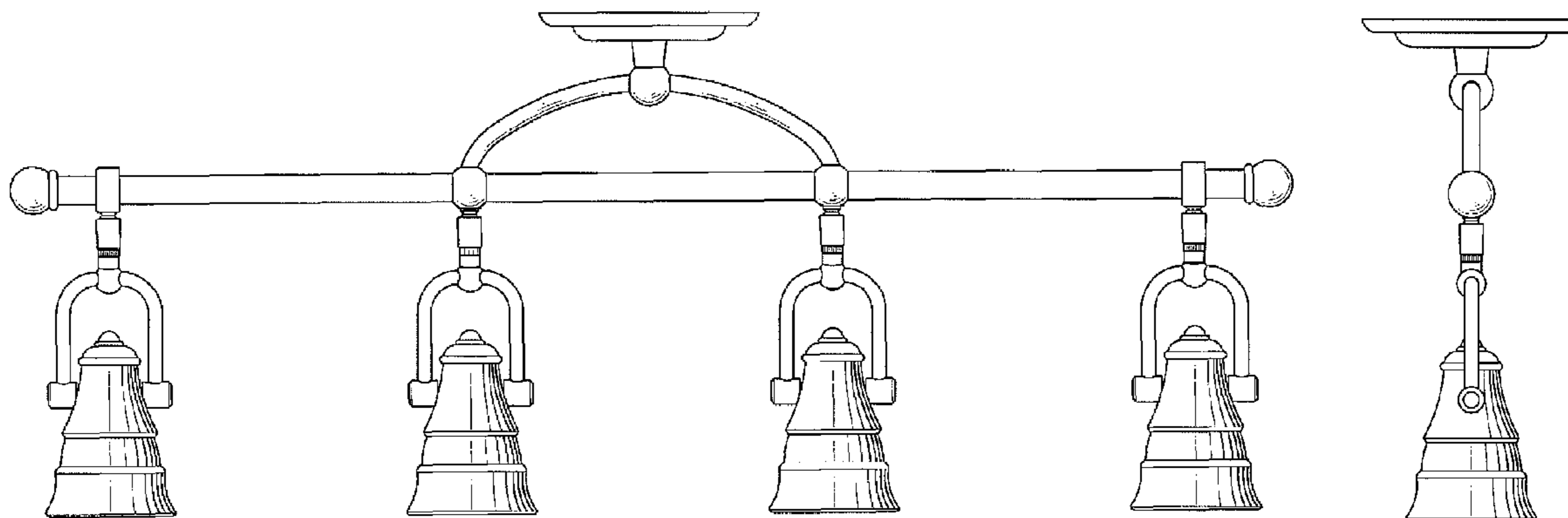
FIG. 3 is a left side elevational view thereof;

FIG. 4 is a right side elevational view thereof;

FIG. 5 is a top plan view thereof; and,

FIG. 6 is a bottom plan view thereof.

1 Claim, 4 Drawing Sheets



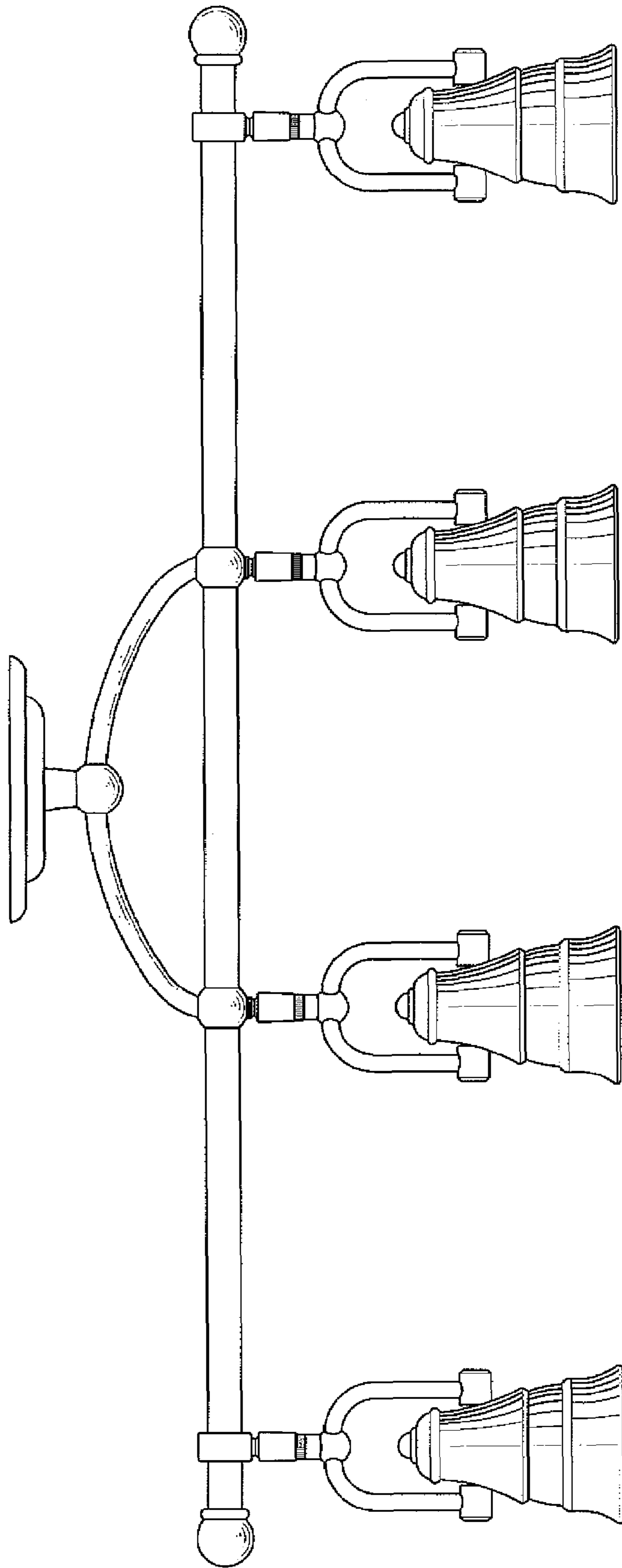


FIG. 1

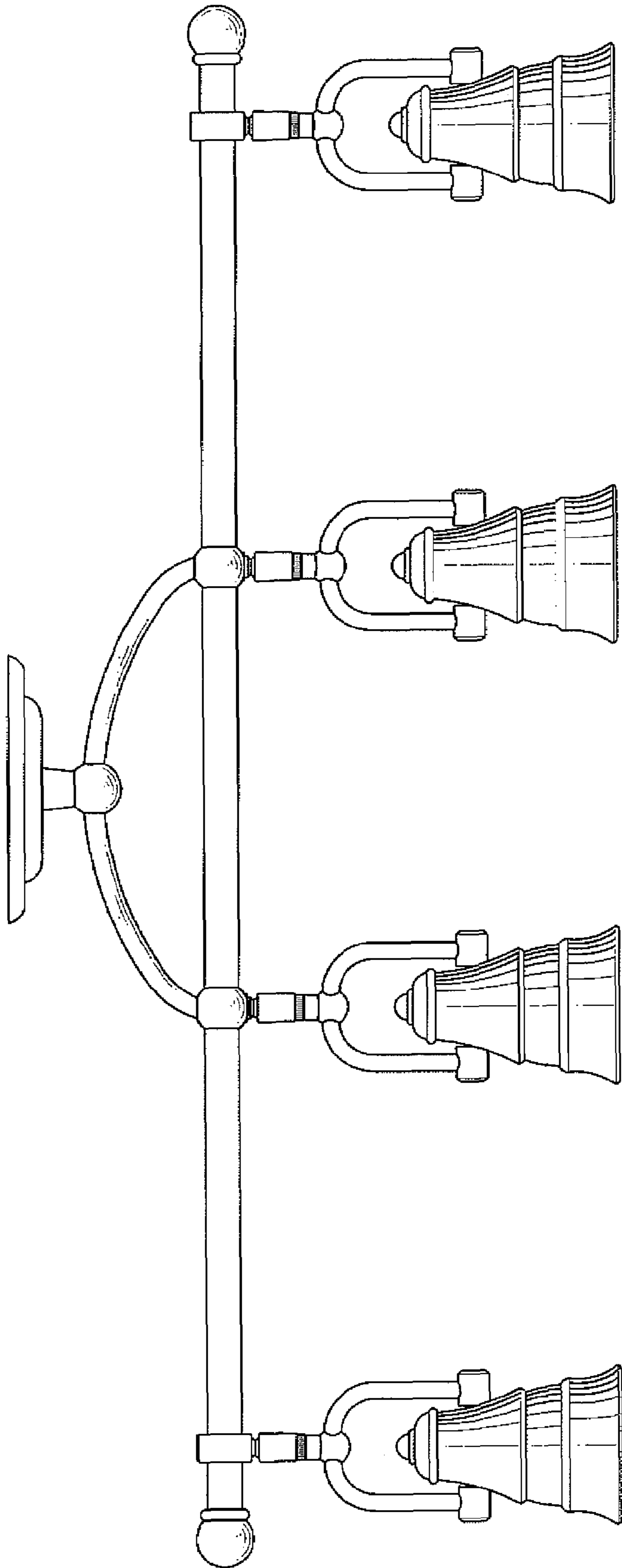


FIG. 2

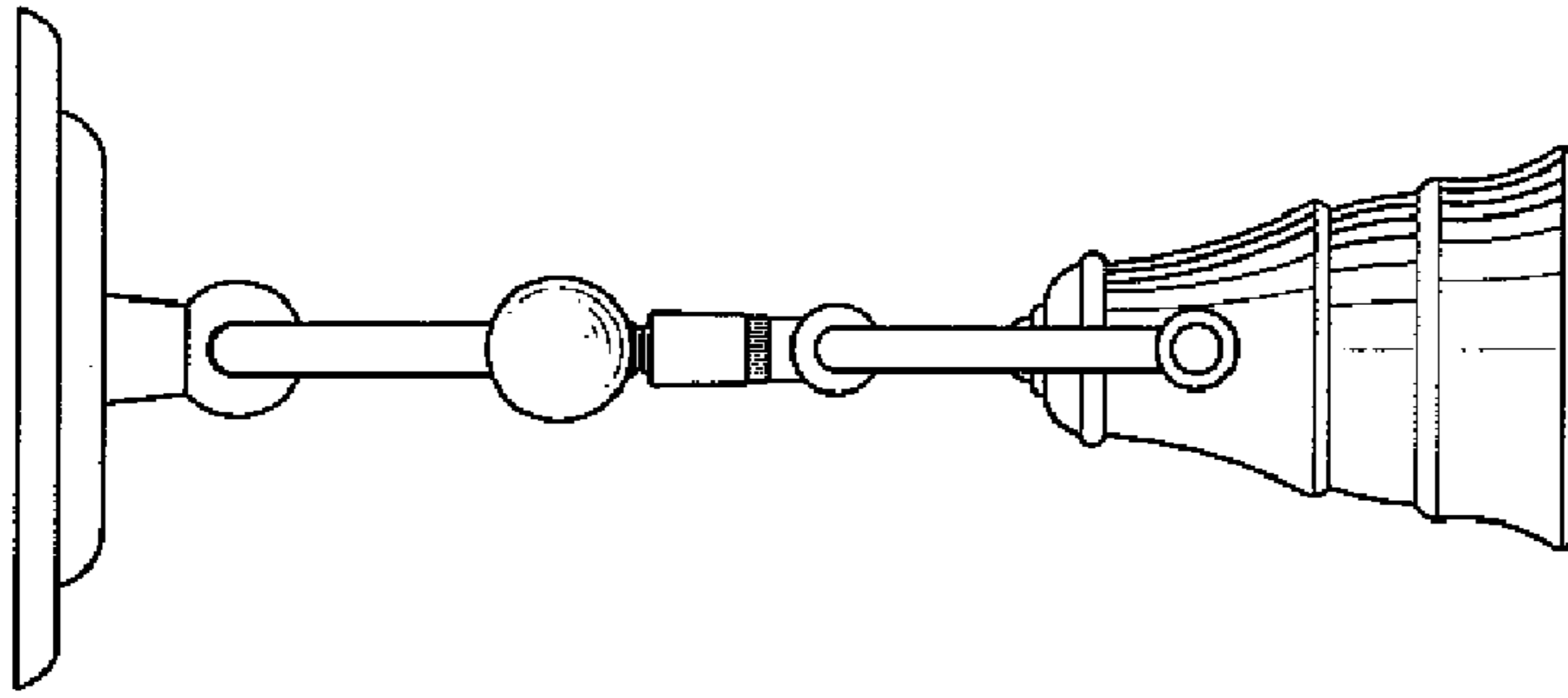


FIG. 4

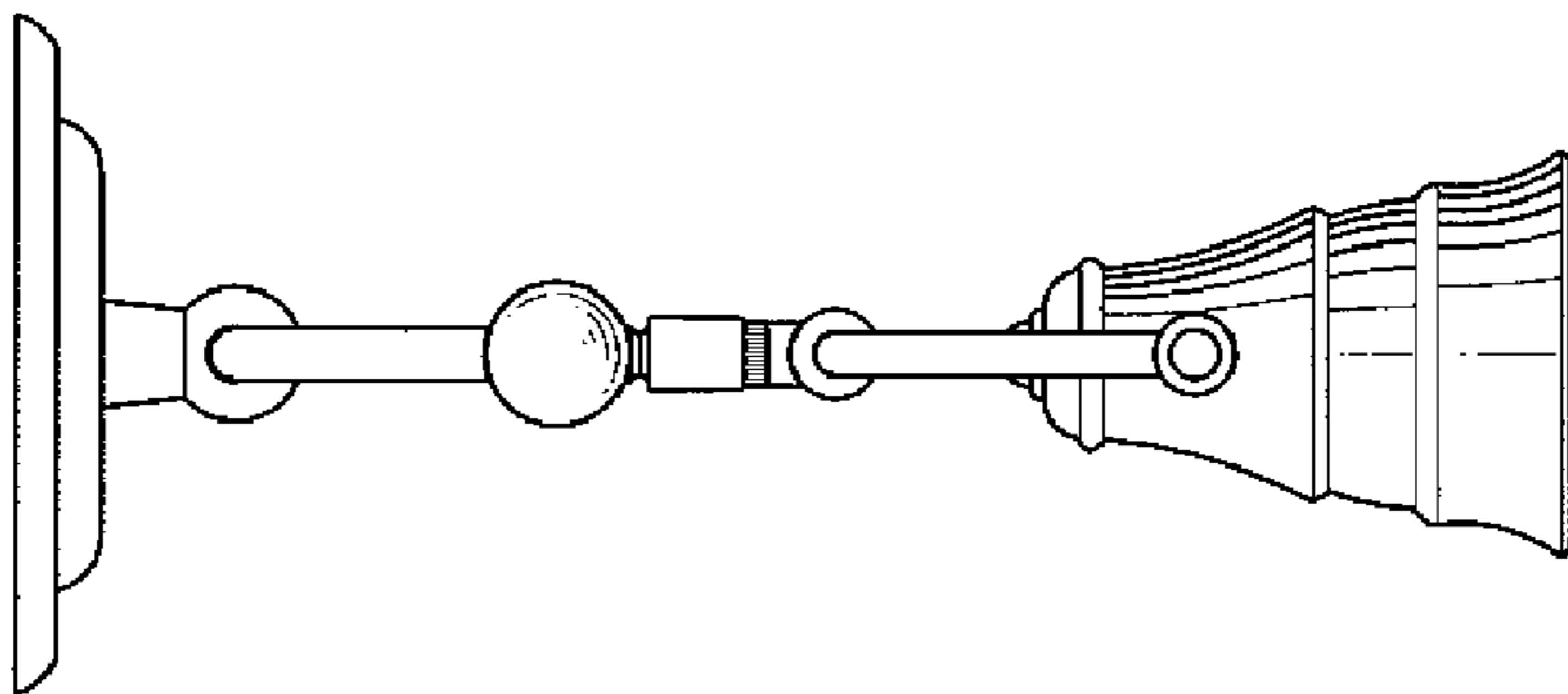


FIG. 3

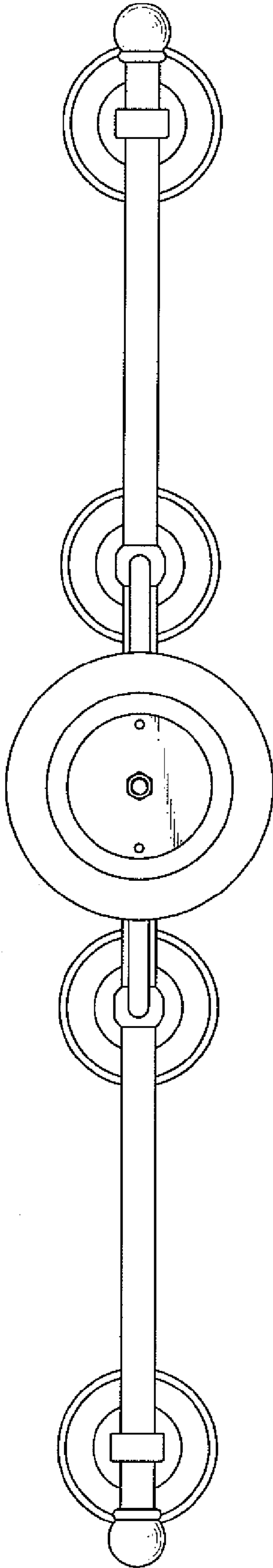


FIG. 5

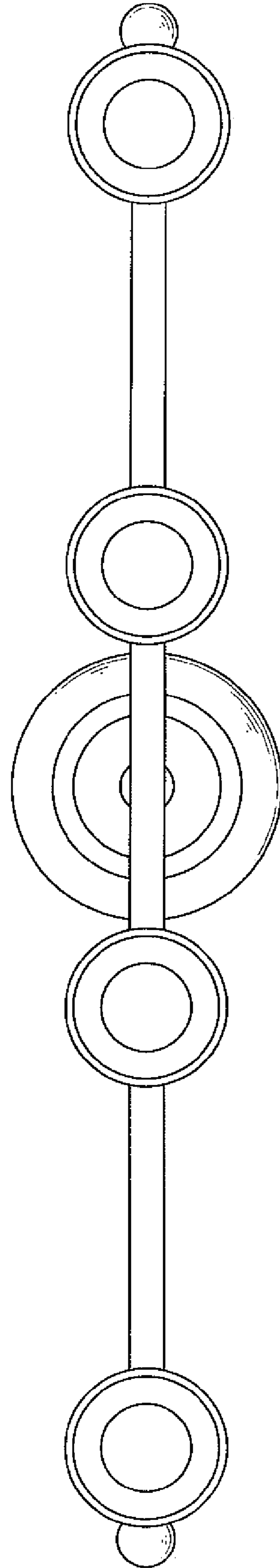


FIG. 6