



US00D557440S

(12) **United States Design Patent**
Hsu

(10) **Patent No.:** **US D557,440 S**

(45) **Date of Patent:** **** Dec. 11, 2007**

(54) **PENDENT LAMP**

(75) Inventor: **Keen Hsu**, Taichung (TW)

(73) Assignee: **Dong Guan Bright Yinhuey Lighting Co., Ltd.**, Guang Dong (CN)

(**) Term: **14 Years**

(21) Appl. No.: **29/280,062**

(22) Filed: **May 15, 2007**

(51) **LOC (8) Cl.** **26-03**

(52) **U.S. Cl.** **D26/83; D26/63**

(58) **Field of Classification Search** D26/80-87,
D26/92, 61, 63; 362/147, 432, 404-406
See application file for complete search history.

(56) **References Cited**

U.S. PATENT DOCUMENTS

1,090,154	A	*	3/1914	Johns	362/406
D76,194	S	*	8/1928	Knorr	D26/84
D90,017	S	*	5/1933	Bush	D26/84
D431,312	S	*	9/2000	Miranda	D26/84
D473,000	S	*	4/2003	Hoernig	D26/80
D483,140	S	*	12/2003	Lee	D26/80
D515,233	S	*	2/2006	Miranda	D26/87
D542,456	S	*	5/2007	Swanson	D26/65

OTHER PUBLICATIONS

All light fixtures shown on p. 203 of the May 2001 issue of Taiwan Lighting.*

All light fixtures shown on p. 174 of the May 2001 issue of Taiwan Lighting.*

Light fixture No. EL-98123 on p. 127 of the May 2001 issue of Taiwan Lighting.*

“Kramare” and “Leding” light fixtures shown on p. 309 of the 2005 Ikea Catalog.*

* cited by examiner

Primary Examiner—Clare E Heflin

(74) *Attorney, Agent, or Firm*—Alan Kamrath; Kamrath & Associates P.A.

(57) **CLAIM**

The ornamental design for a pendent lamp, as shown and described.

DESCRIPTION

FIG. 1 is a front elevational view of a pendent lamp showing my design;

FIG. 2 is a rear elevational view thereof;

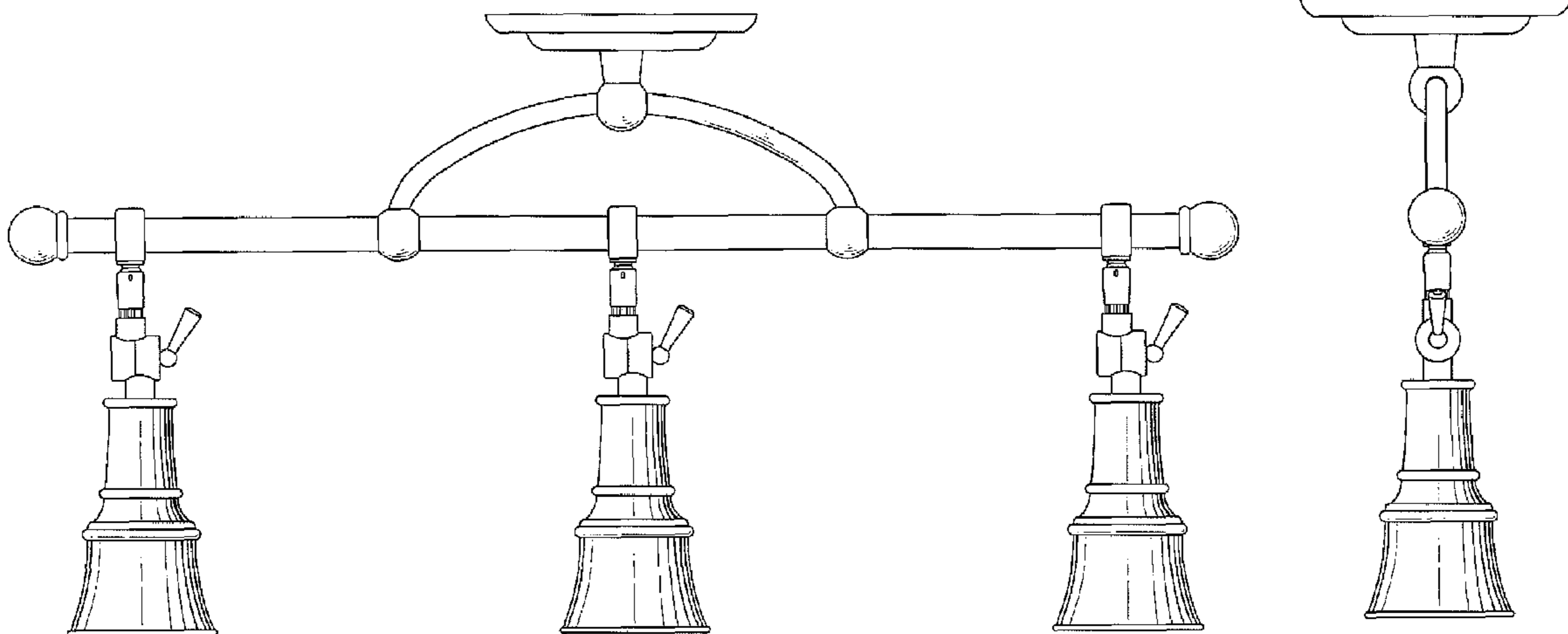
FIG. 3 is a left side elevational view thereof;

FIG. 4 is a right side elevational view thereof;

FIG. 5 is a top plan view thereof; and,

FIG. 6 is a bottom plan view thereof.

1 Claim, 4 Drawing Sheets



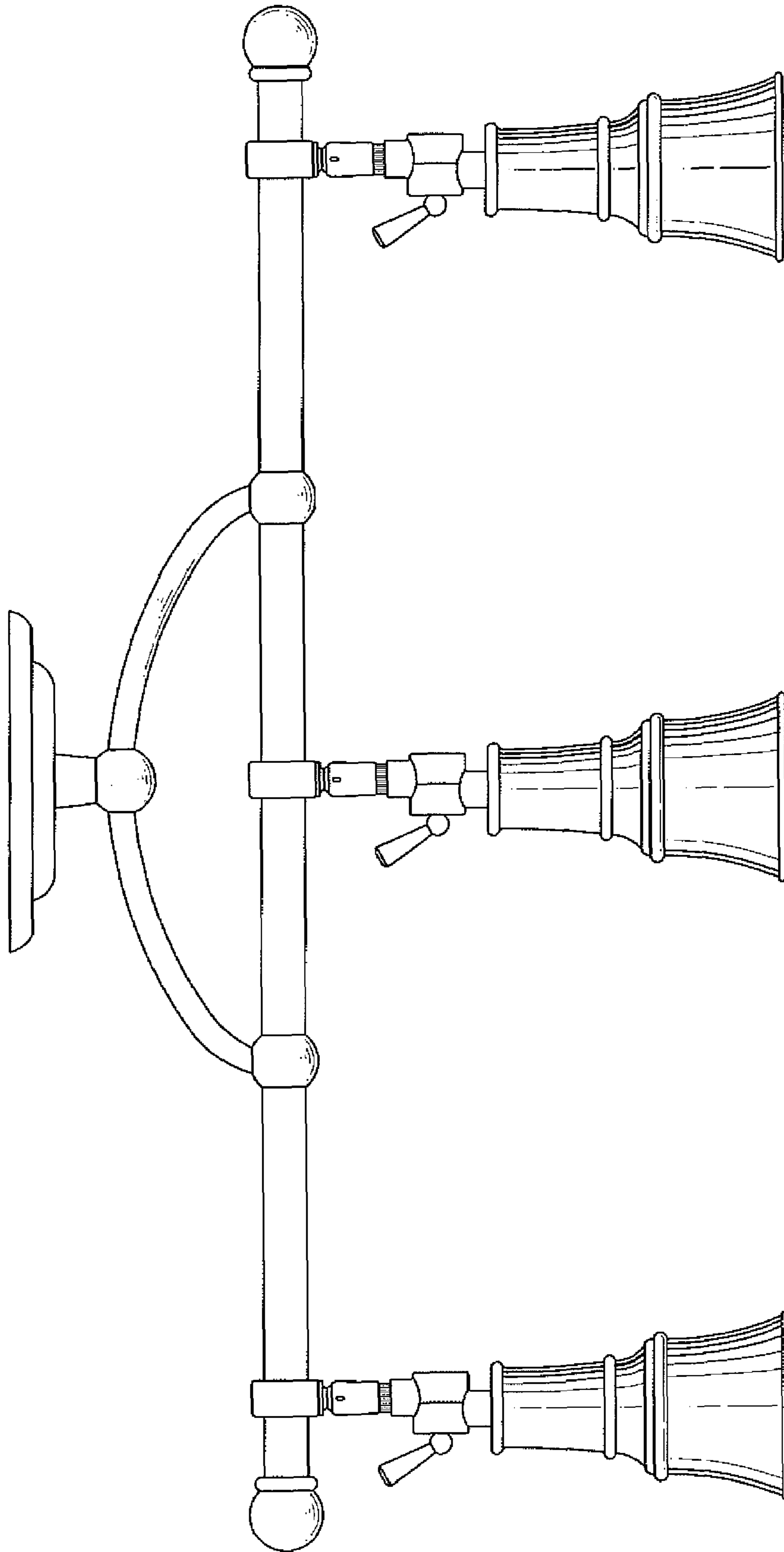


FIG.1

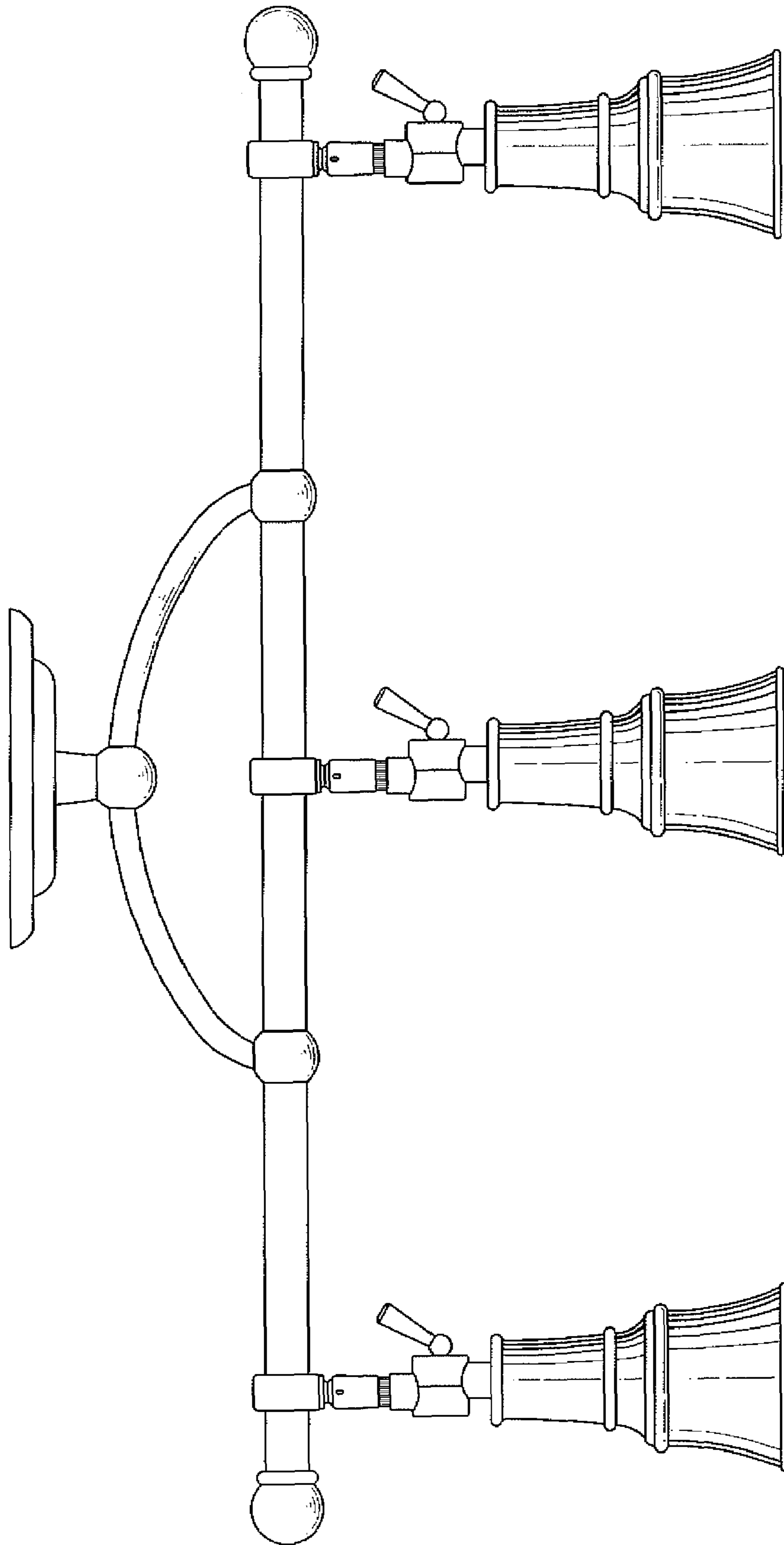


FIG. 2

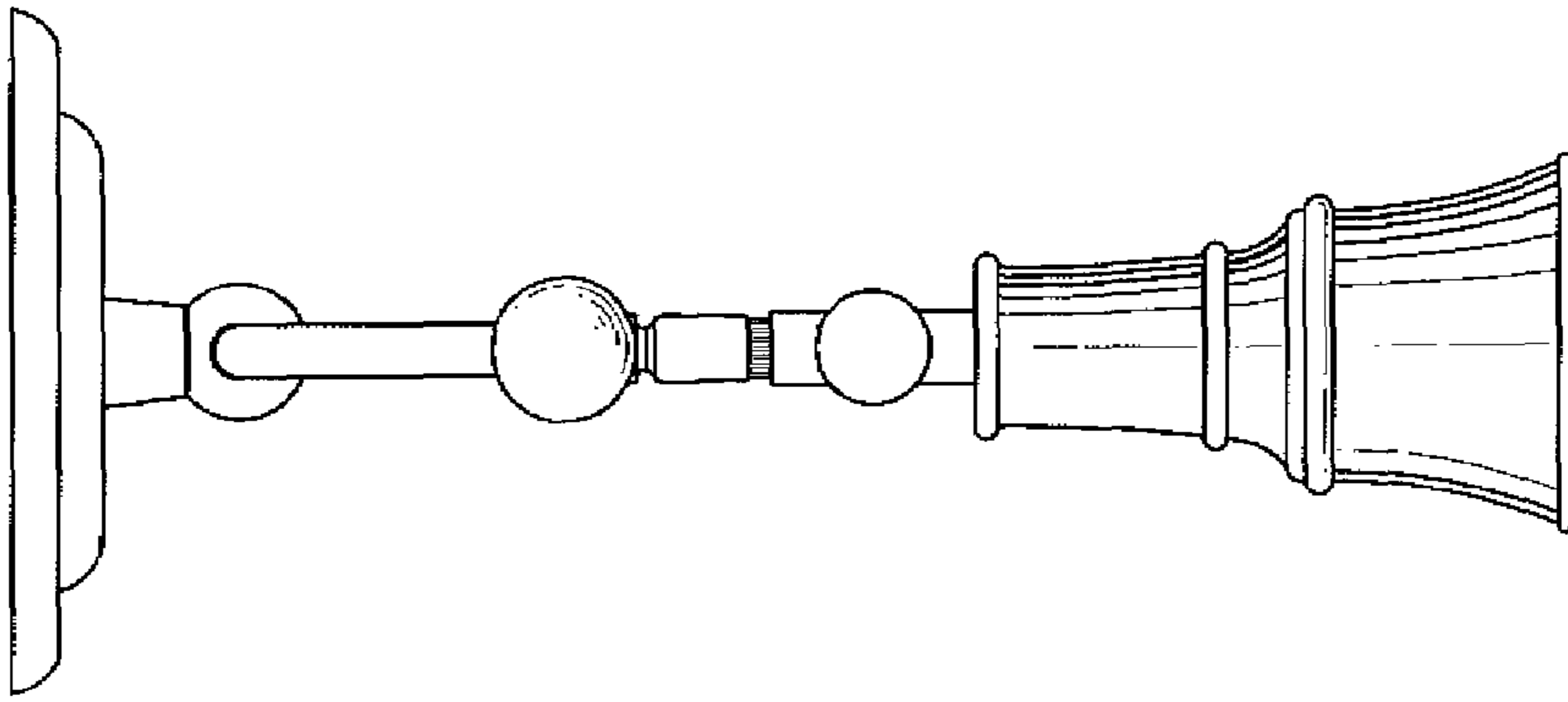


FIG. 4

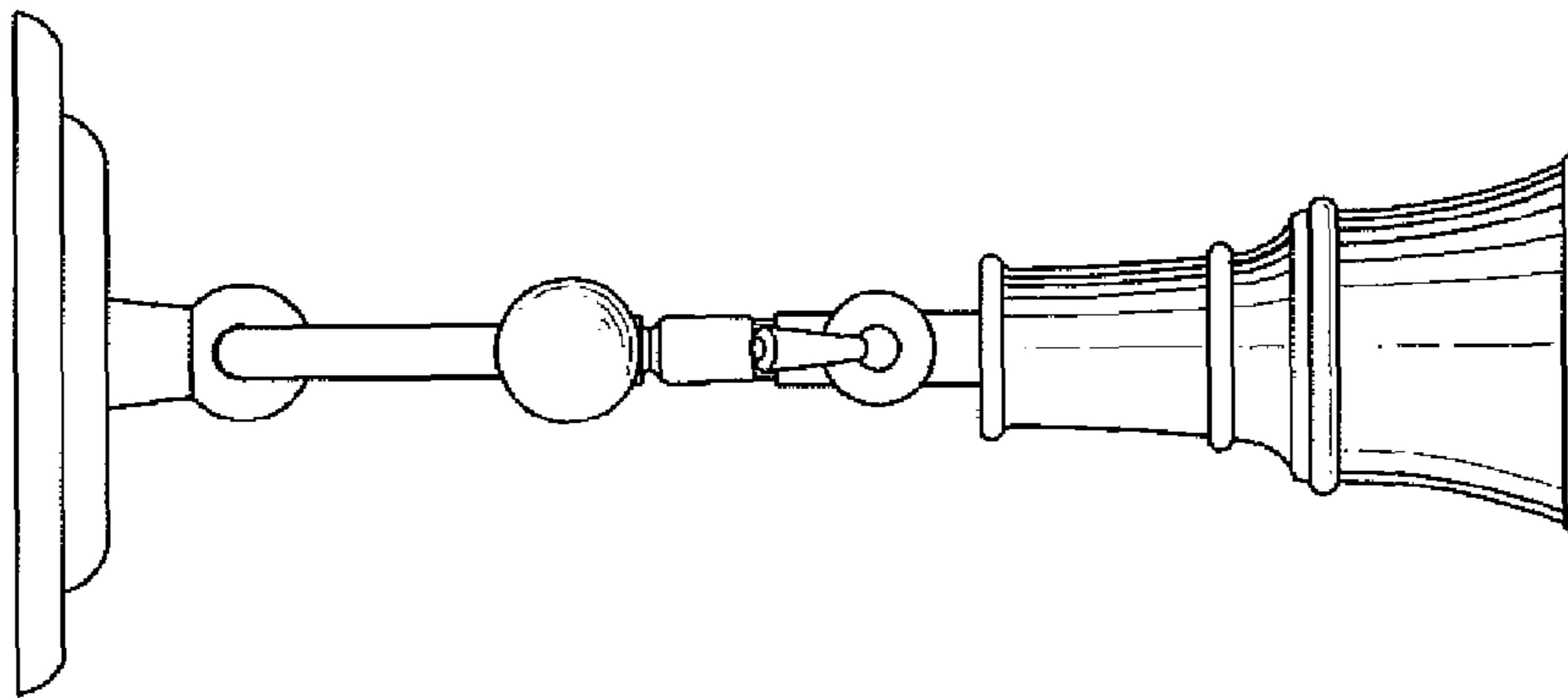


FIG. 3

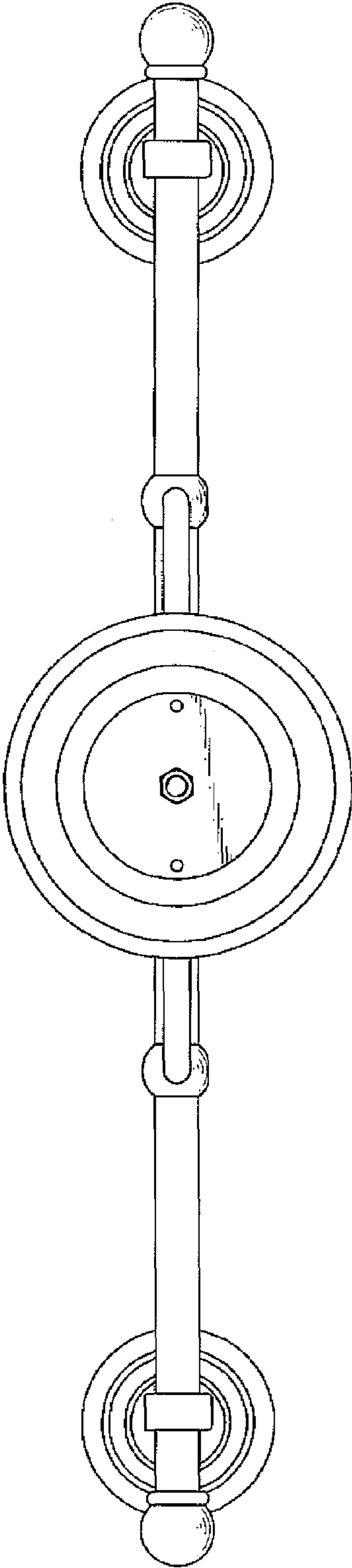


FIG. 5

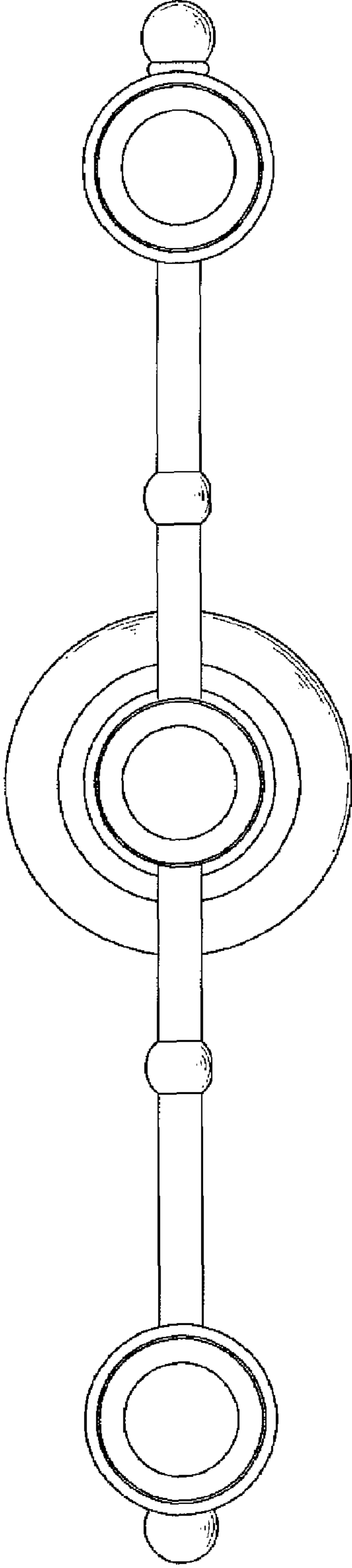


FIG. 6