



US00D557439S

(12) **United States Design Patent**
Hsu

(10) **Patent No.:** **US D557,439 S**

(45) **Date of Patent:** **** Dec. 11, 2007**

(54) **PENDENT LAMP**

(75) **Inventor:** **Keen Hsu**, Taichung (TW)

(73) **Assignee:** **Dong Guan Bright Yinhuey Lighting Co., Ltd.**, Guang Dong (CN)

(**) **Term:** **14 Years**

(21) **Appl. No.:** **29/280,058**

(22) **Filed:** **May 15, 2007**

(51) **LOC (8) Cl.** **26-03**

(52) **U.S. Cl.** **D26/83; D26/63**

(58) **Field of Classification Search** D26/80–87,
D26/92, 61, 63; 362/147, 432, 404–406
See application file for complete search history.

(56) **References Cited**

U.S. PATENT DOCUMENTS

D46,876	S	*	1/1915	Gleason	D26/84
D61,814	S	*	1/1923	Abrams	D26/83
D67,635	S	*	6/1925	Walton	D26/83
D92,659	S	*	7/1934	Kaynor	D26/83
5,349,513	A	*	9/1994	Taylor, III	362/404
D361,149	S	*	8/1995	Wedell	D26/63
D376,865	S	*	12/1996	Chan	D26/60
D377,693	S	*	1/1997	Lecluze	D26/63
D448,508	S	*	9/2001	Benghozi	D26/63
D454,219	S	*	3/2002	Thompson	D26/63

OTHER PUBLICATIONS

All light fixtures shown on p. 203 of the May 2001 issue of Taiwan Lighting.*

All light fixtures shown on p. 174 of the May 2001 issue of Taiwan Lighting.*

Light fixture No. EL-98123 on p. 127 of the May 2001 issue of Taiwan Lighting.*

“Kramare” and “Leding” light fixtures on p. 309 of the Ikea 2005 catalog.*

* cited by examiner

Primary Examiner—Clare E Heflin

(74) *Attorney, Agent, or Firm*—Alan Kamrath; Kamrath & Associates P.A.

(57) **CLAIM**

The ornamental design for a pendent lamp, as shown and described.

DESCRIPTION

FIG. 1 is a front elevational view of a pendent lamp showing my design;

FIG. 2 is a rear elevational view thereof;

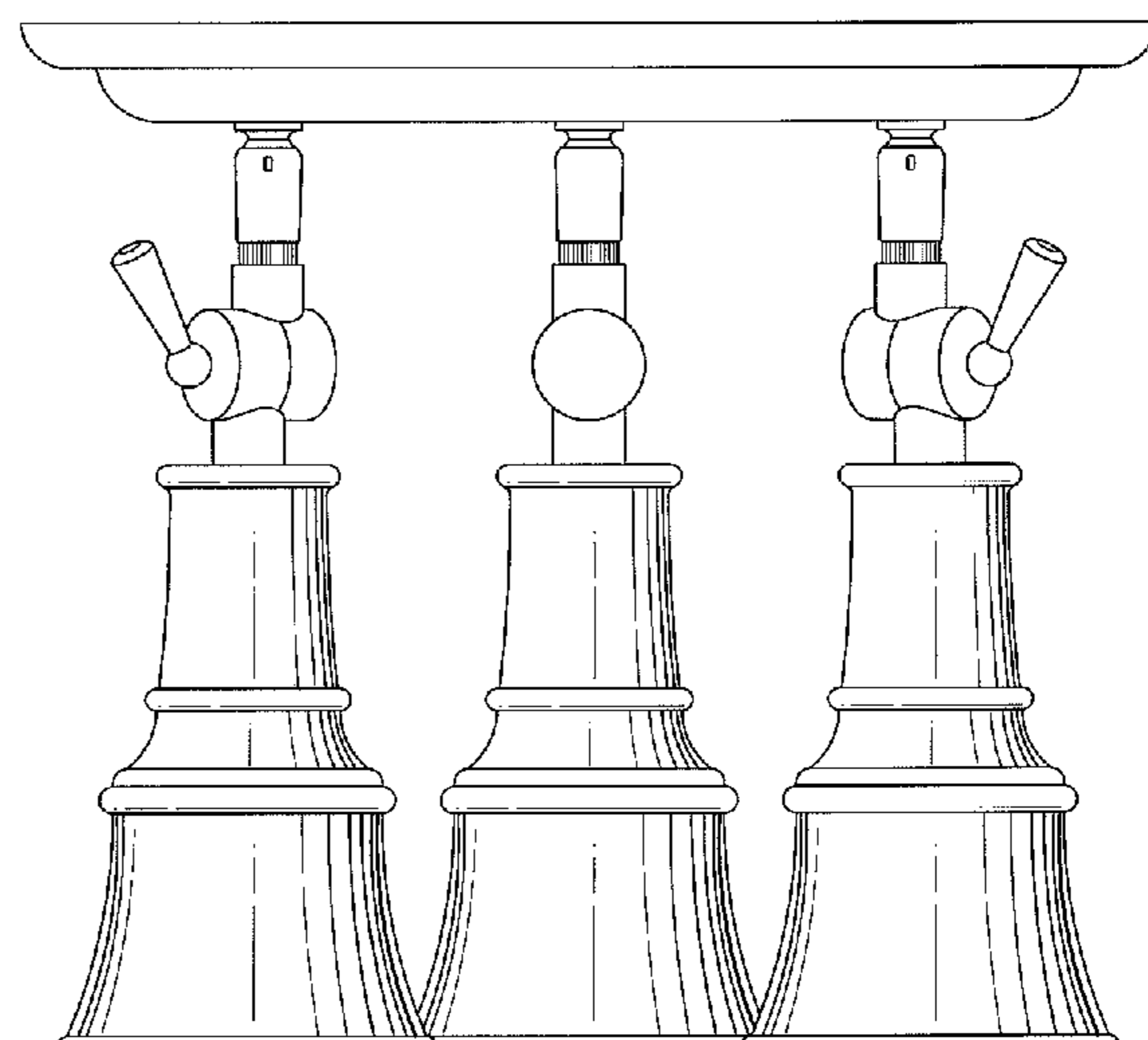
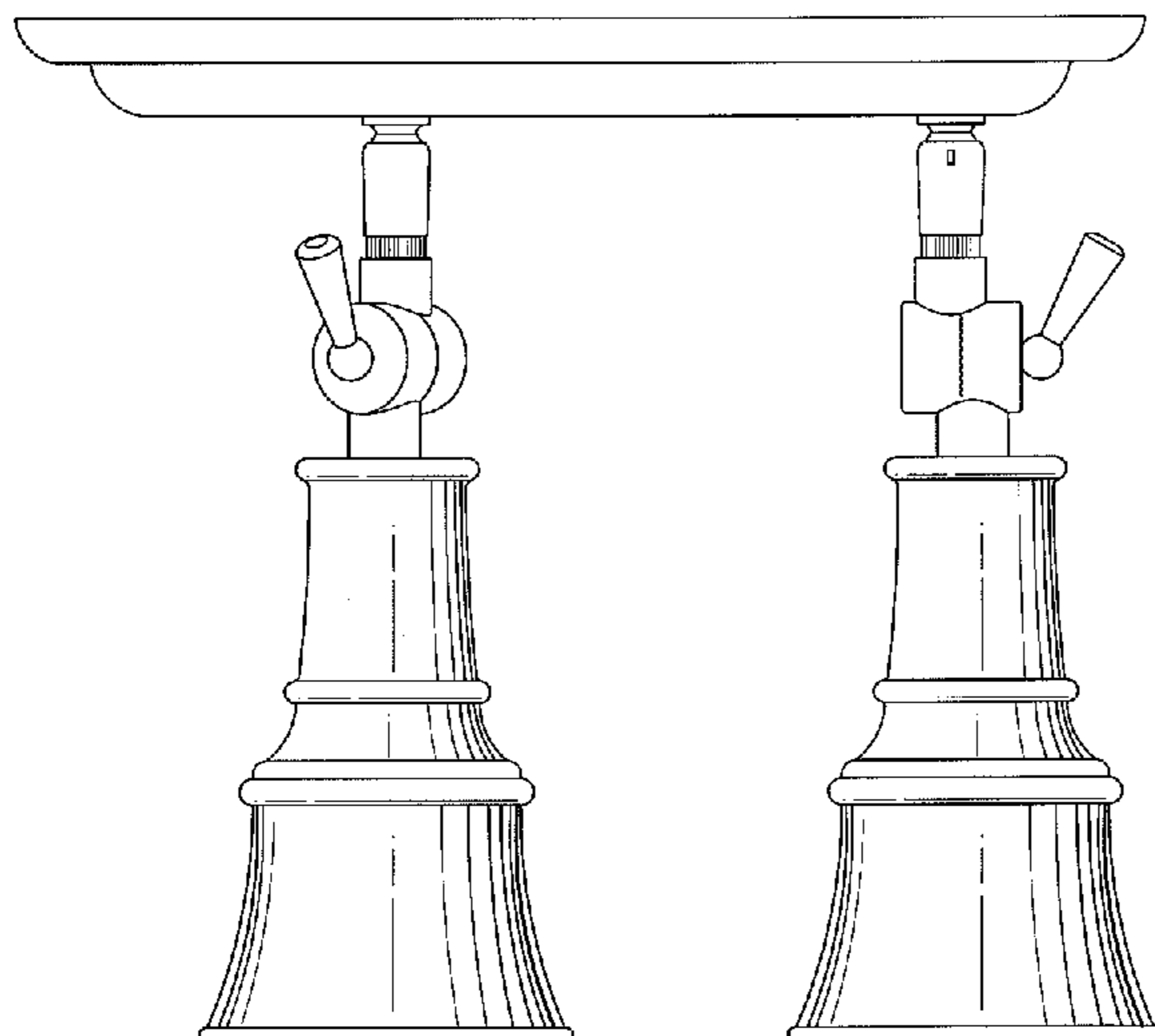
FIG. 3 is a left side elevational view thereof;

FIG. 4 is a right side elevational view thereof;

FIG. 5 is a top plan view thereof; and,

FIG. 6 is a bottom plan view thereof.

1 Claim, 6 Drawing Sheets



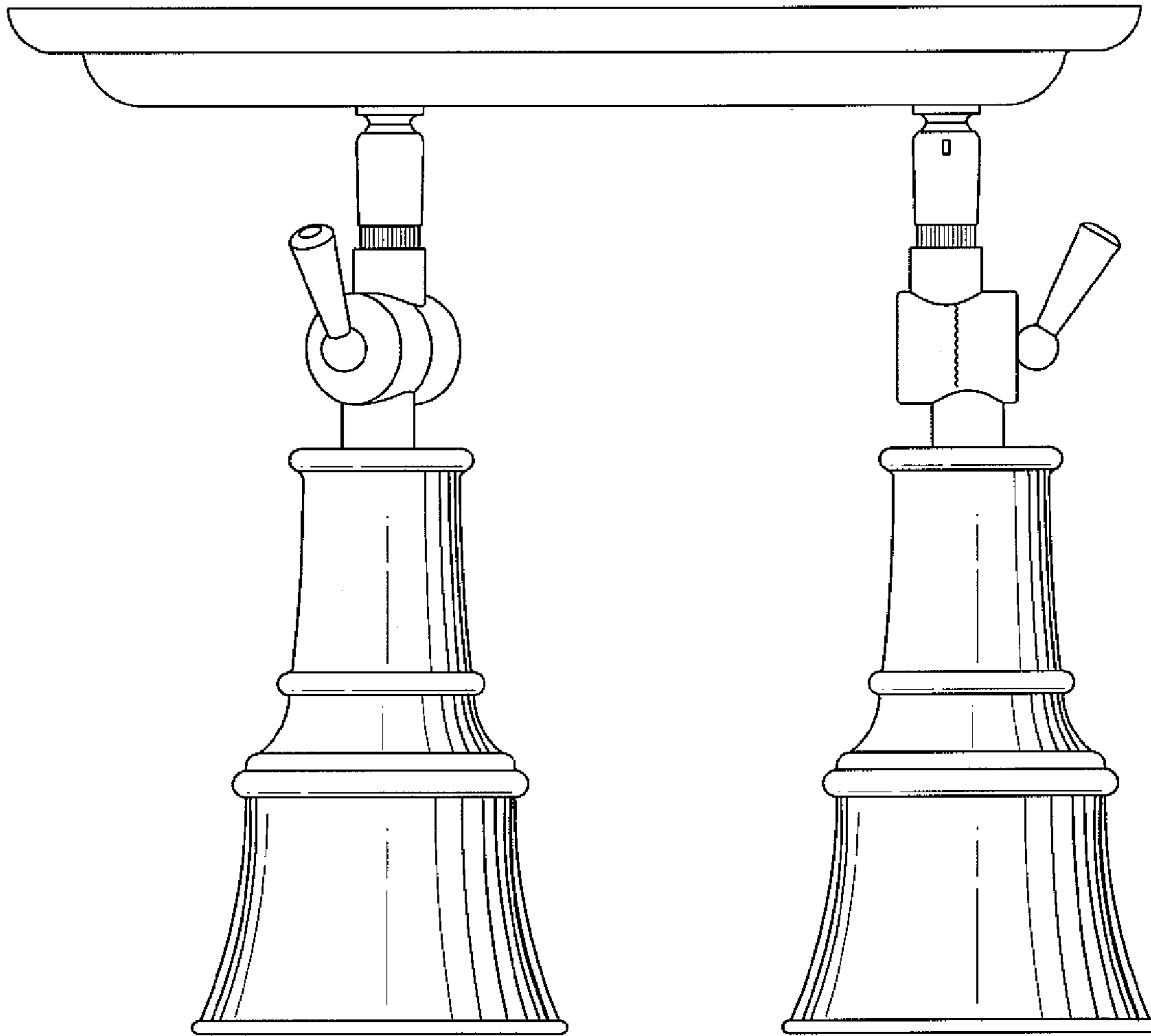


FIG. 1

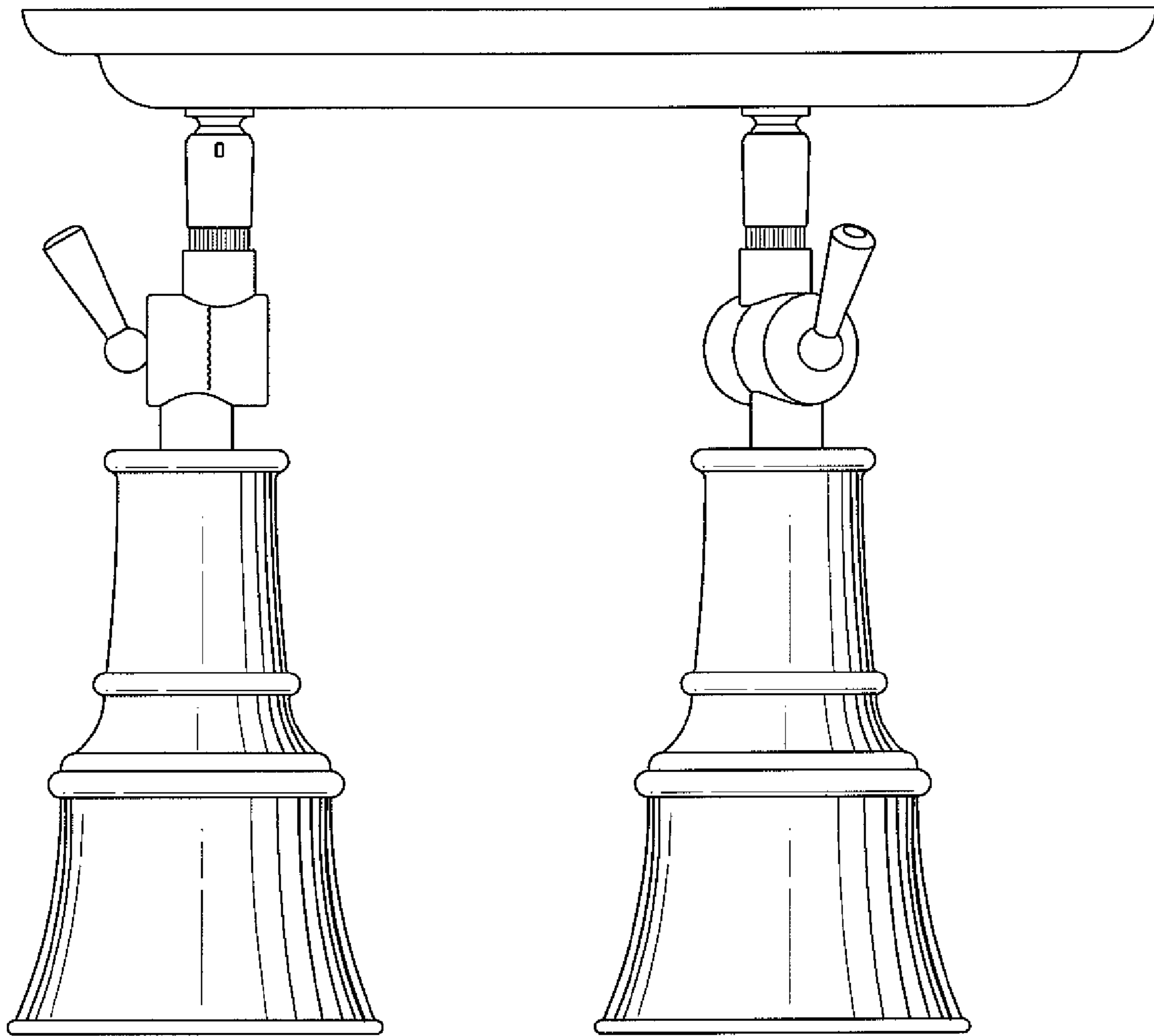


FIG. 2

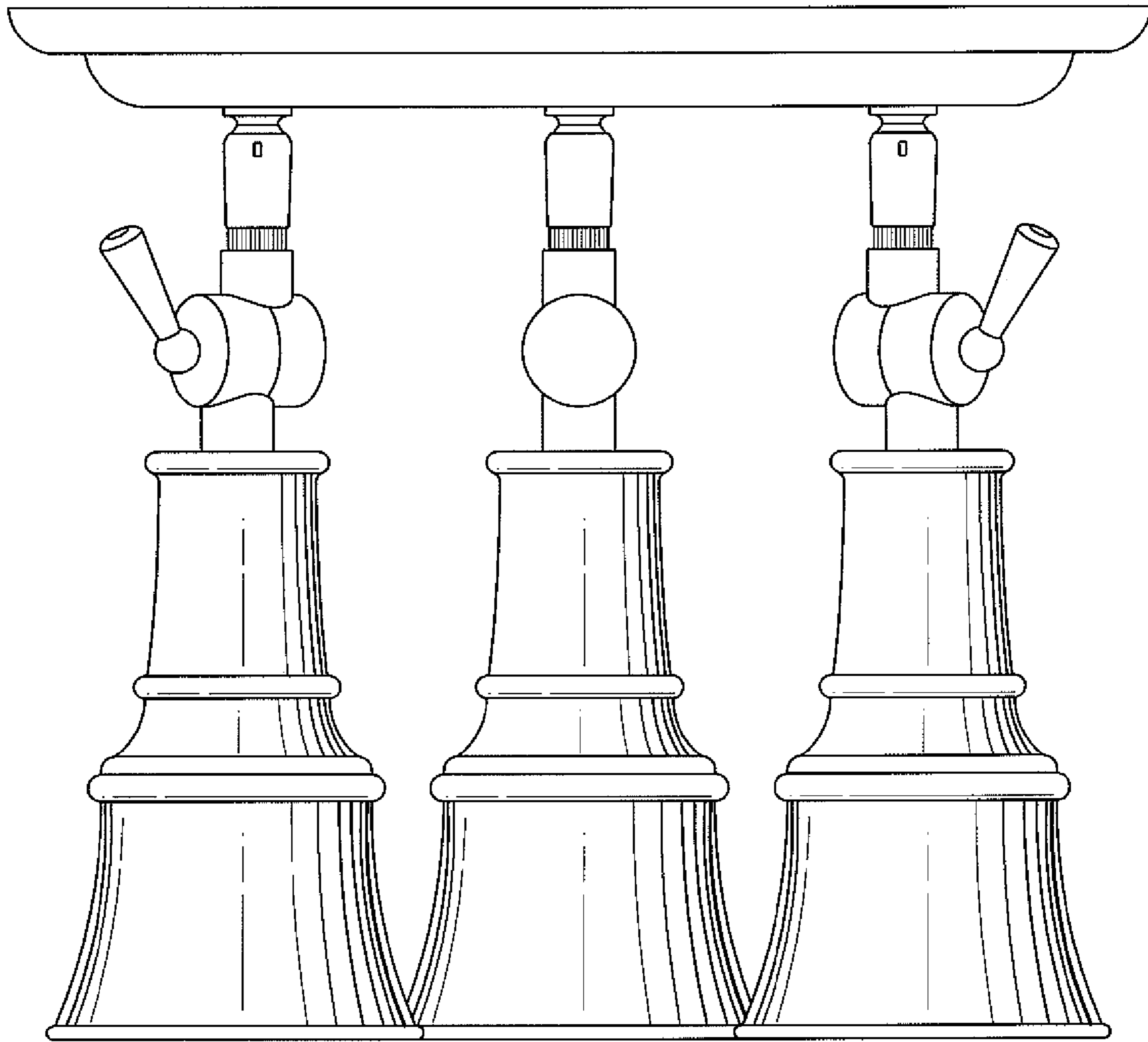


FIG. 3

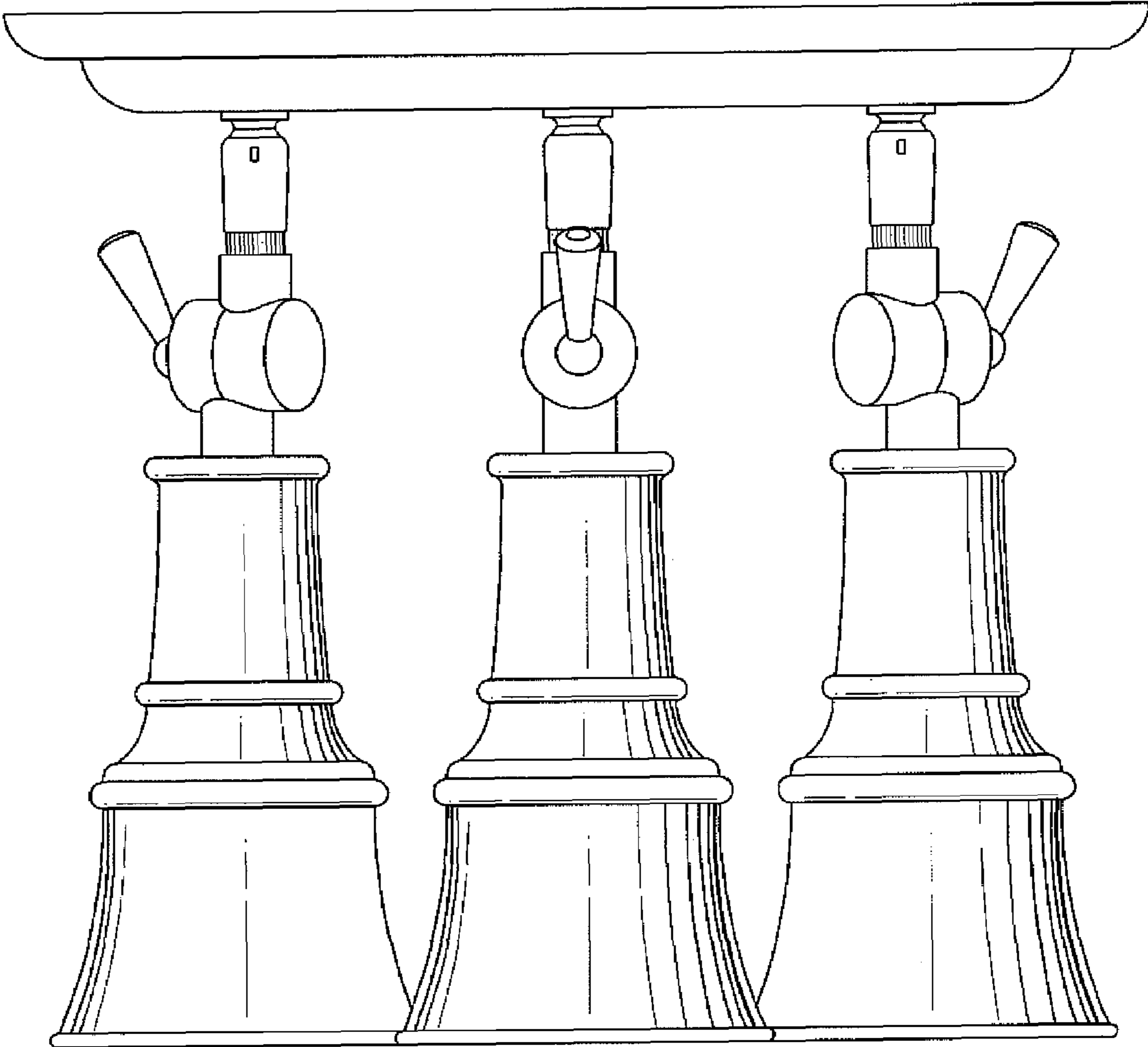


FIG. 4

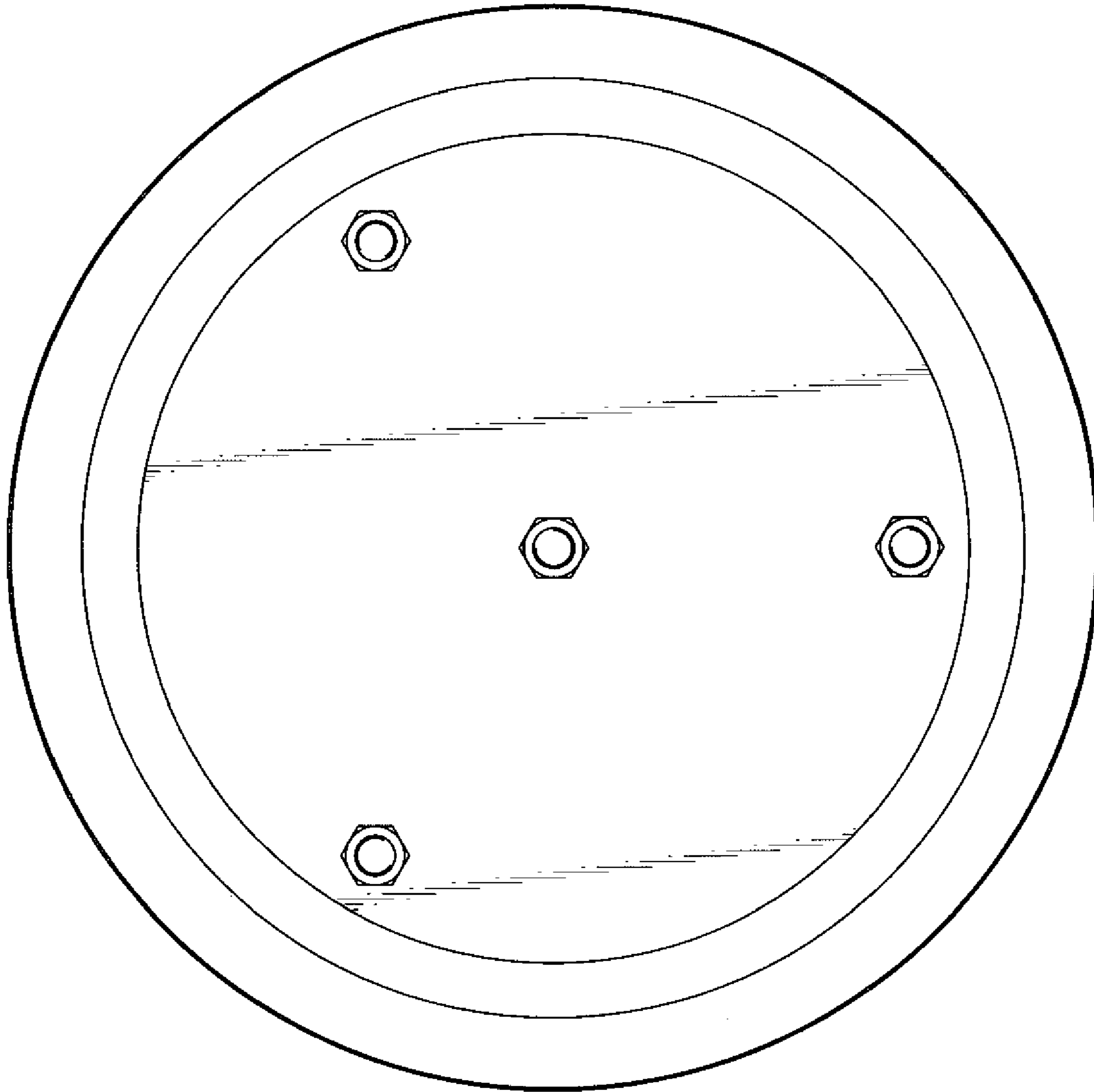


FIG. 5

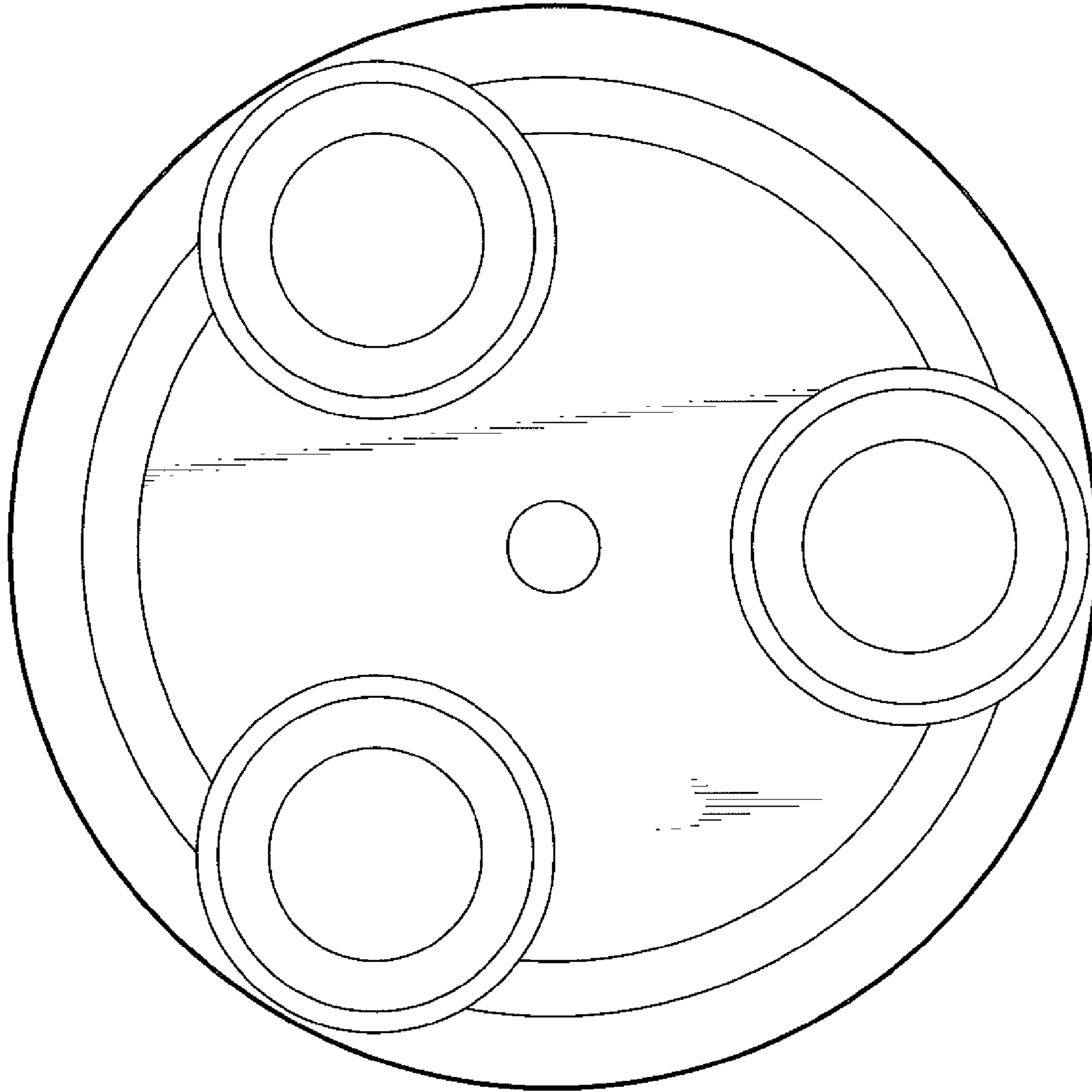


FIG. 6