



US00D557438S

(12) **United States Design Patent** (10) **Patent No.:** **US D557,438 S**  
**Hsu** (45) **Date of Patent:** **\*\* Dec. 11, 2007**

(54) **PENDENT LAMP**  
(75) Inventor: **Keen Hsu**, Taichung (TW)  
(73) Assignee: **Dong Guan Bright Yinhuey Lighting Co., Ltd.**, Gunag Dong (CN)  
(\*\*) Term: **14 Years**  
(21) Appl. No.: **29/280,055**  
(22) Filed: **May 15, 2007**  
(51) **LOC (8) Cl.** ..... **26-03**  
(52) **U.S. Cl.** ..... **D26/83; D26/63**  
(58) **Field of Classification Search** ..... D26/80-87,  
D26/92, 61, 63; 362/147, 432, 404-406  
See application file for complete search history.

All light fixtures on p. 174 of the May 2001 issue of Taiwan Lighting.\*  
Light fixture No. EL-98123 shown on p. 127 of the May 2001 issue of Taiwan Lighting.\*  
“Kramare” and “Leding” light fixtures shown on p. 309 of the Ikea 2005 catalog.\*

\* cited by examiner

*Primary Examiner*—Clare E Heflin  
(74) *Attorney, Agent, or Firm*—Alan Kamrath; Kamrath & Associates P.A.

(56) **References Cited**

U.S. PATENT DOCUMENTS

D67,635 S *	6/1925	Walton	.....	D26/83
D71,559 S *	11/1926	Levitan	.....	D26/83
D92,659 S *	7/1934	Kaynor	.....	D26/83
D231,559 S *	4/1974	Darling et al.	.....	D26/63
4,199,803 A *	4/1980	Hunt, III	.....	362/263
D370,076 S *	5/1996	Lecluze	.....	D26/63
D377,693 S *	1/1997	Lecluze	.....	D26/63
D385,638 S *	10/1997	Bonnette et al.	.....	D26/62
D434,165 S *	11/2000	Hiller et al.	.....	D26/65
D448,508 S *	9/2001	Benghozi	.....	D26/63
D454,219 S *	3/2002	Thompson	.....	D26/63

OTHER PUBLICATIONS

All light fixtures on p. 203 of the May 2001 issue of Taiwan Lighting.\*

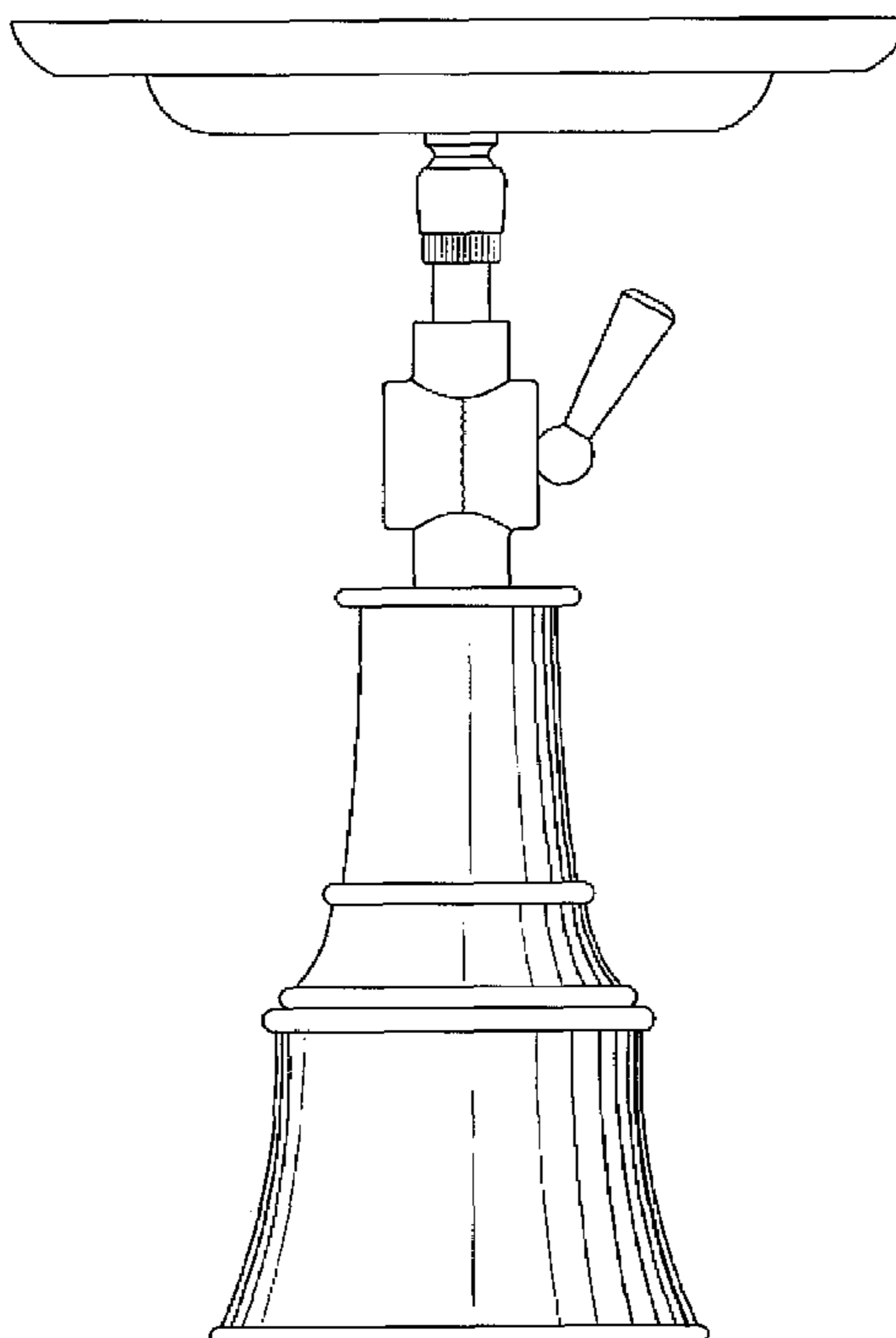
(57) **CLAIM**

The ornamental design for a pendent lamp, as shown and described.

**DESCRIPTION**

FIG. 1 is a front elevational view of a pendent lamp showing my design;  
FIG. 2 is a rear elevational view thereof;  
FIG. 3 is a left side elevational view thereof;  
FIG. 4 is a right side elevational view thereof;  
FIG. 5 is a top plan view thereof; and,  
FIG. 6 is a bottom plan view thereof.

**1 Claim, 6 Drawing Sheets**



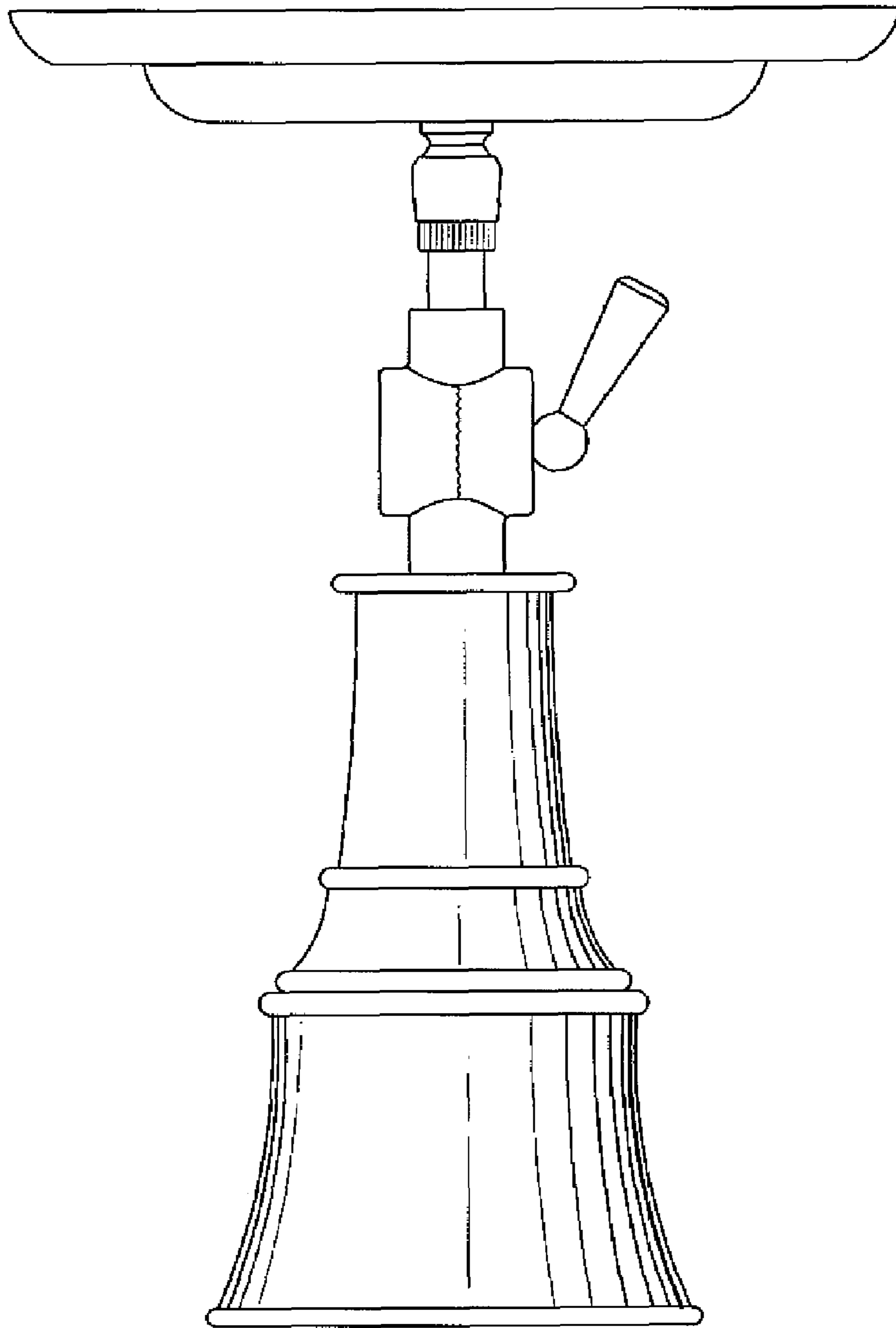


FIG. 1

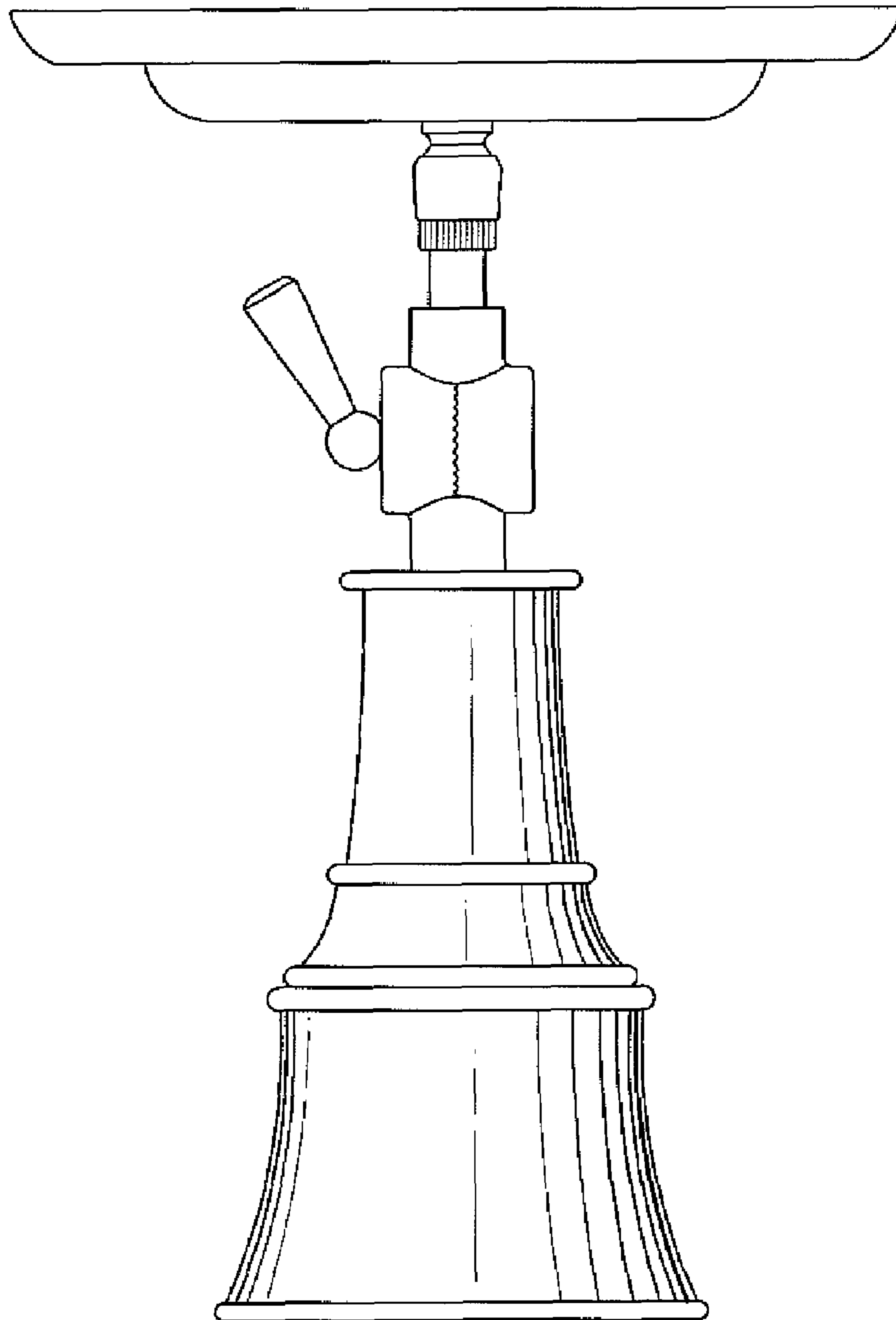


FIG. 2

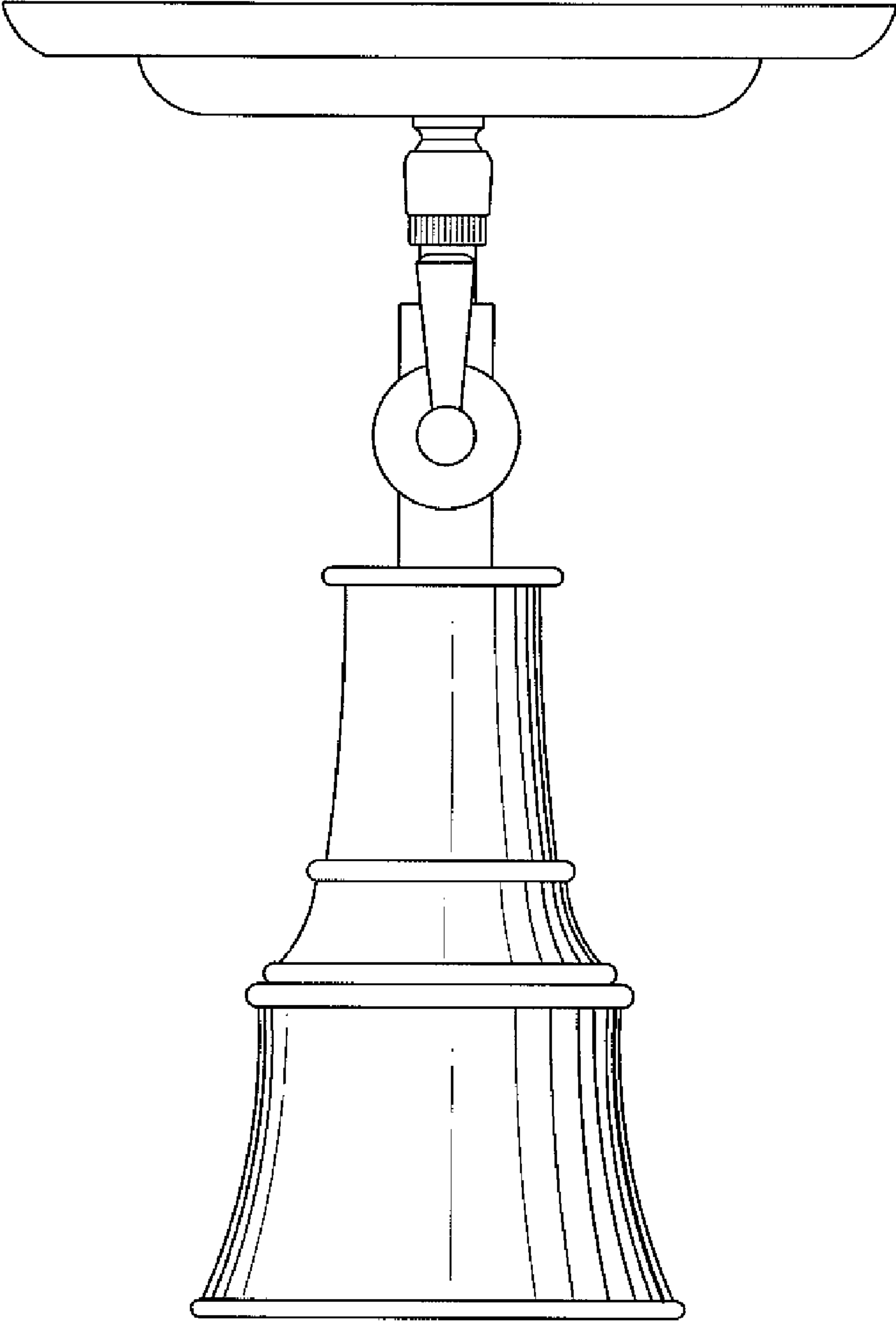


FIG. 3

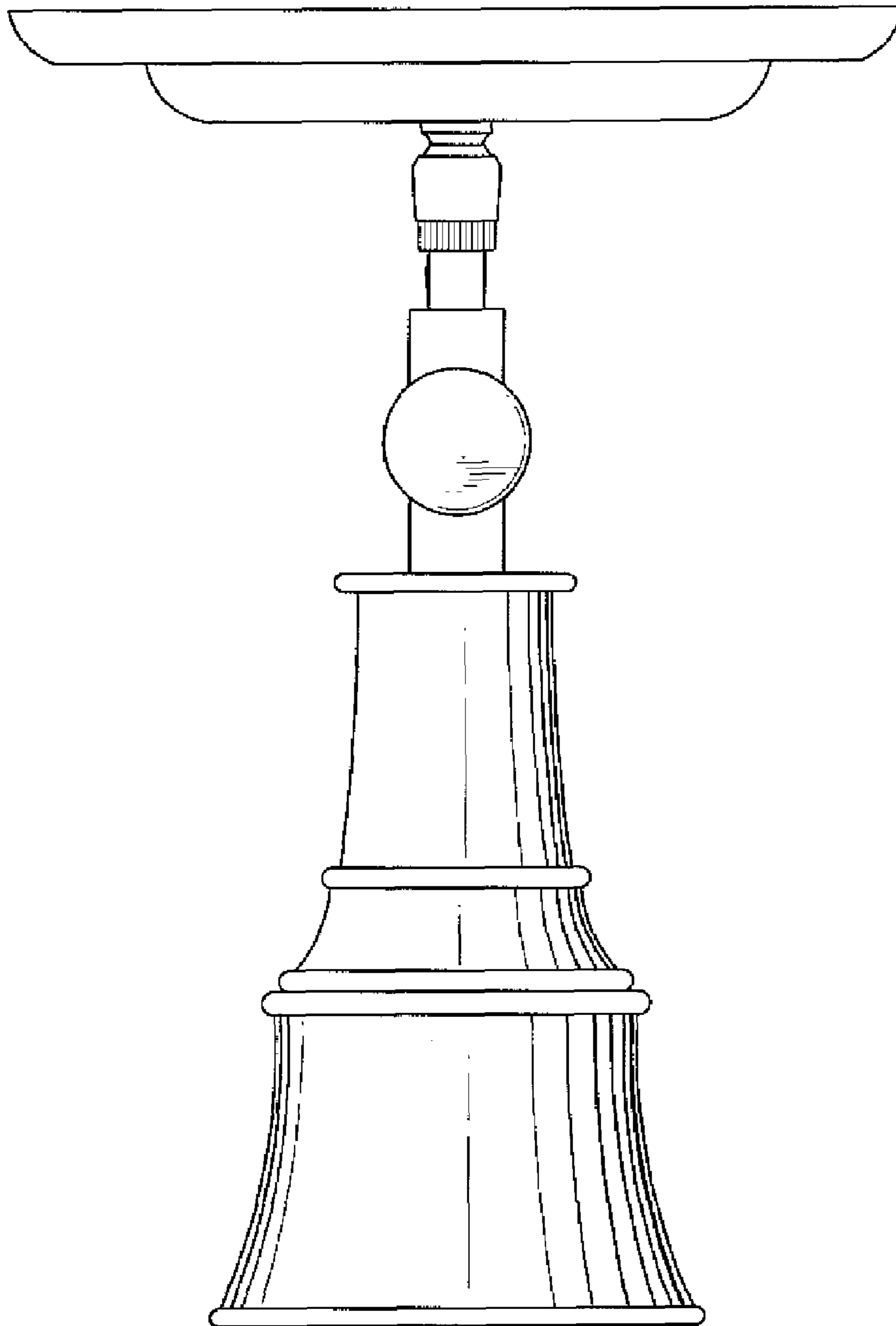


FIG. 4

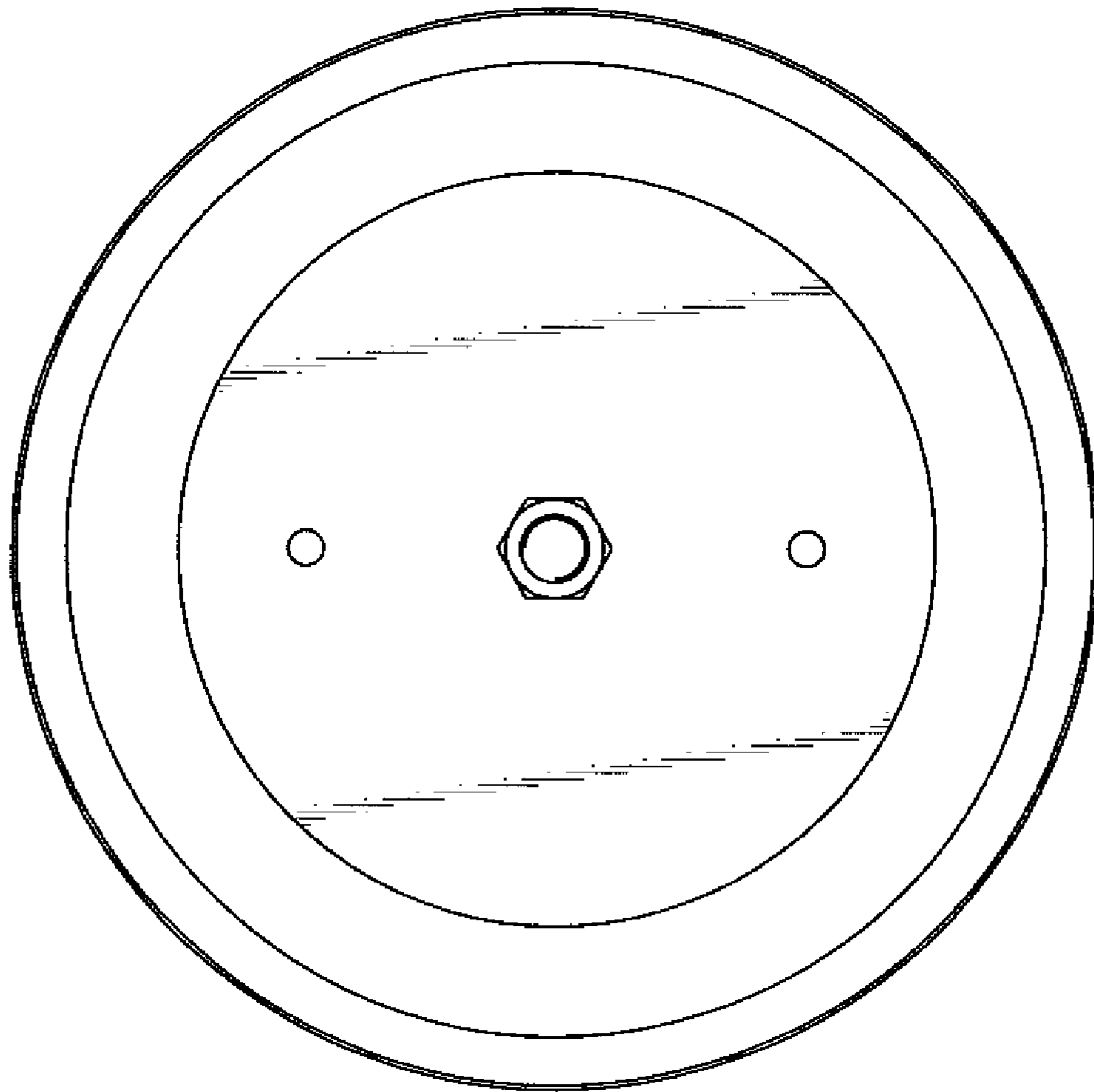


FIG. 5

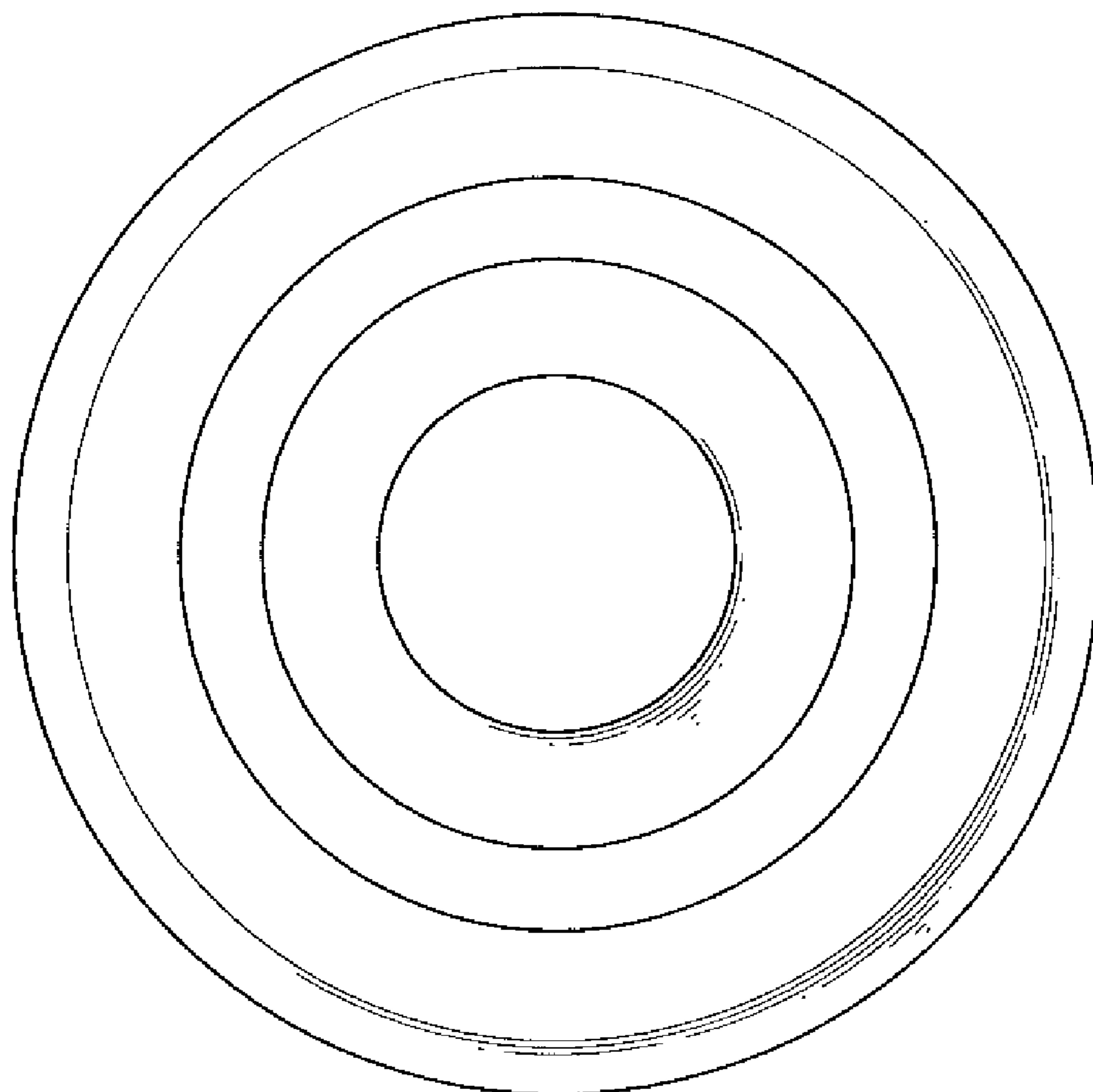


FIG. 6