



US00D557437S

(12) **United States Design Patent**
Hsu

(10) **Patent No.:** **US D557,437 S**

(45) **Date of Patent:** **** Dec. 11, 2007**

(54) **LAMP**

(75) Inventor: **Keen Hsu**, Taichung (TW)

(73) Assignee: **Dong Guan Bright Yinhuey Lighting Co., Ltd.**, Guang Dong (CN)

(**) Term: **14 Years**

(21) Appl. No.: **29/281,319**

(22) Filed: **Jun. 20, 2007**

(51) **LOC (8) Cl.** **26-05**

(52) **U.S. Cl.** **D26/67**

(58) **Field of Classification Search** D26/67-71,
D26/133-135; D22/123; 362/152, 183,
362/431

See application file for complete search history.

(56) **References Cited**

U.S. PATENT DOCUMENTS

- D178,282 S * 7/1956 De Runtz D26/67
- D302,327 S * 7/1989 DiCola D26/67
- D387,458 S * 12/1997 Ruggles et al. D26/67
- D388,899 S * 1/1998 Hoffman D26/67

- D455,514 S * 4/2002 Cheong D26/68
- D485,001 S * 1/2004 Chen D26/67
- D496,119 S * 9/2004 Bucher et al. D26/67
- D512,172 S * 11/2005 Pu D26/67
- D519,664 S * 4/2006 Harbaugh D26/68

* cited by examiner

Primary Examiner—Clare E Heflin

(74) *Attorney, Agent, or Firm*—Alan Kamrath; Kamrath & Associates P.A.

(57) **CLAIM**

The ornamental design for a lamp, as shown and described.

DESCRIPTION

FIG. 1 is a front elevational view of a lamp showing my design;

FIG. 2 is a rear elevational view thereof;

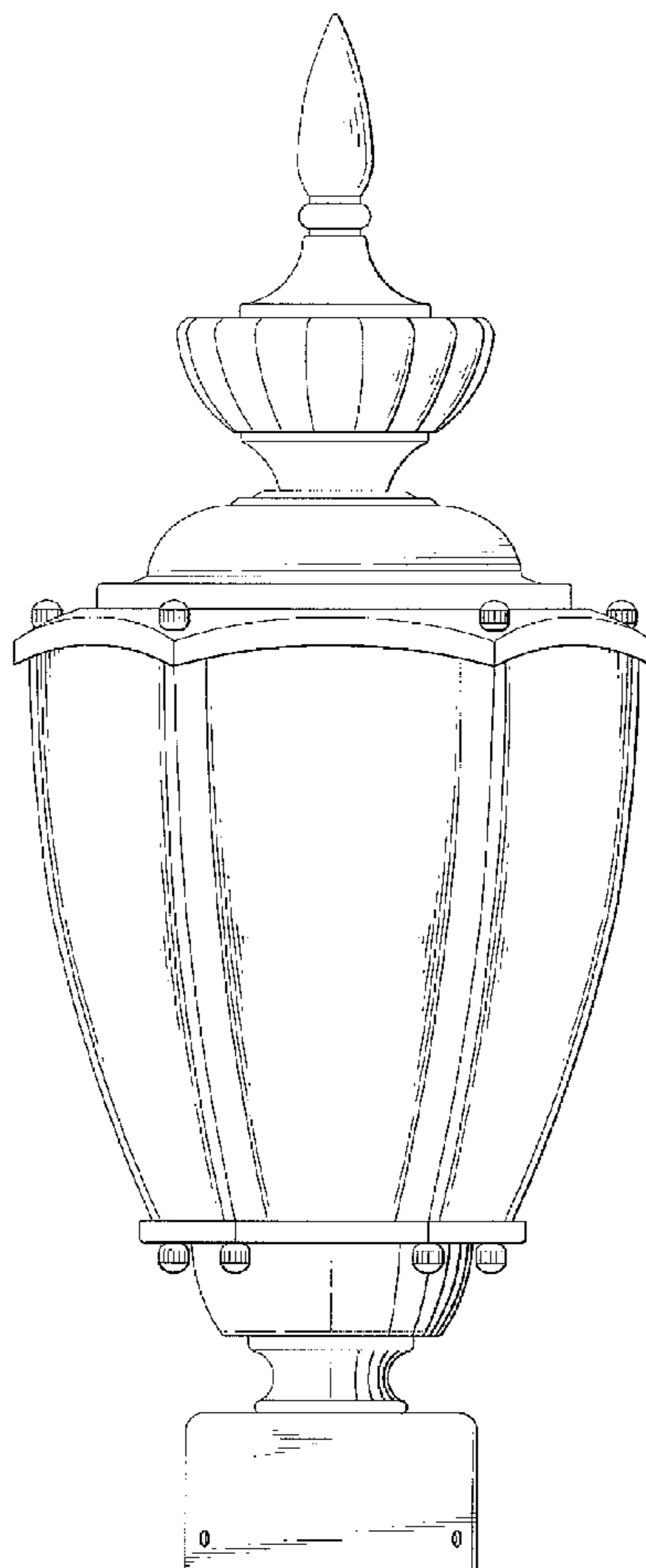
FIG. 3 is a left side elevational view thereof;

FIG. 4 is a right side elevational view thereof;

FIG. 5 is a top plan view thereof; and,

FIG. 6 is a bottom plan view thereof.

1 Claim, 5 Drawing Sheets



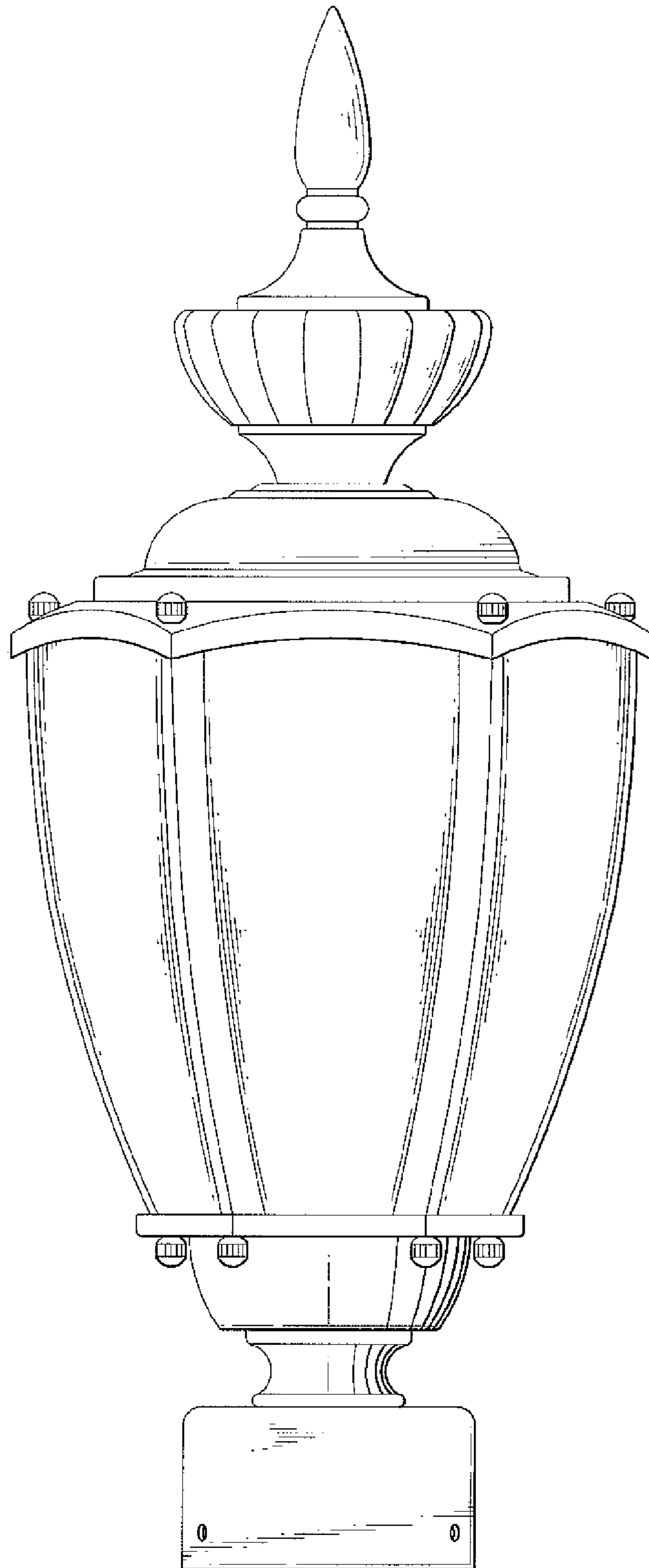


FIG. 1

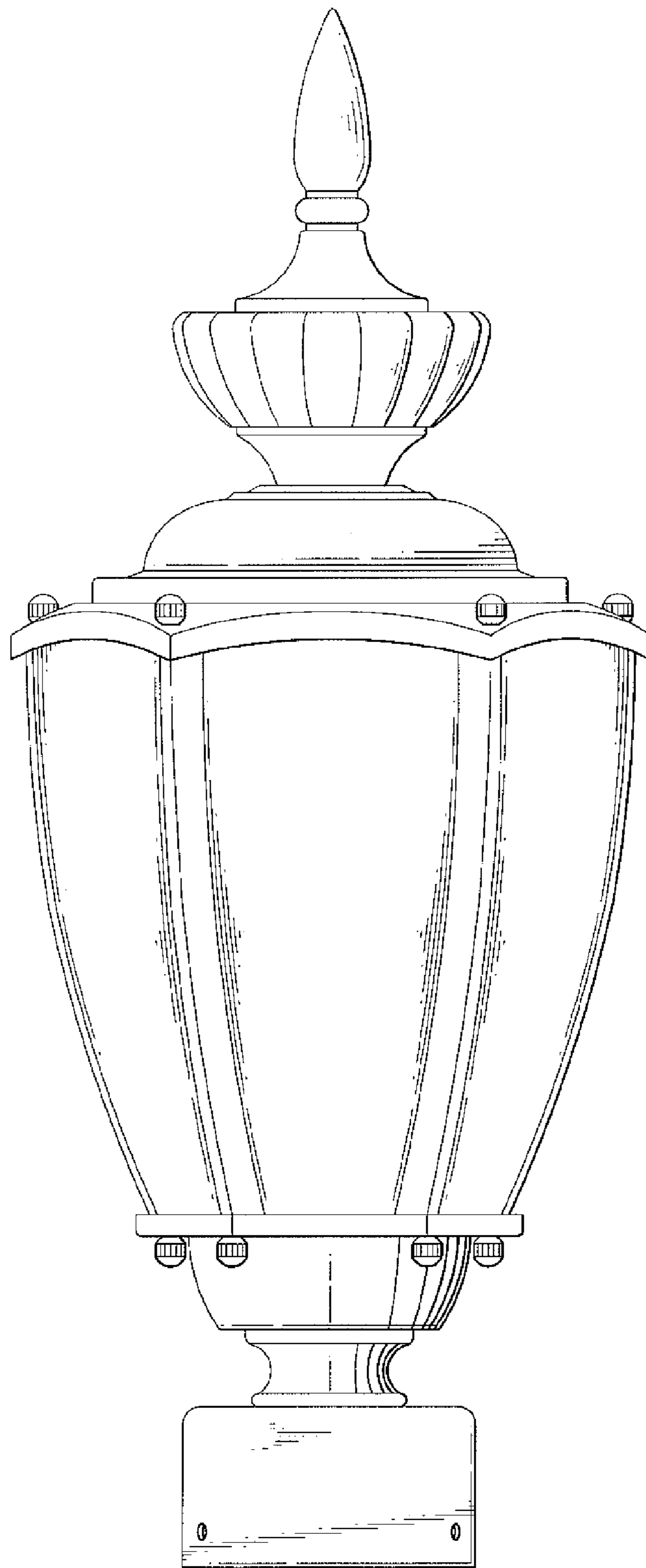


FIG. 2

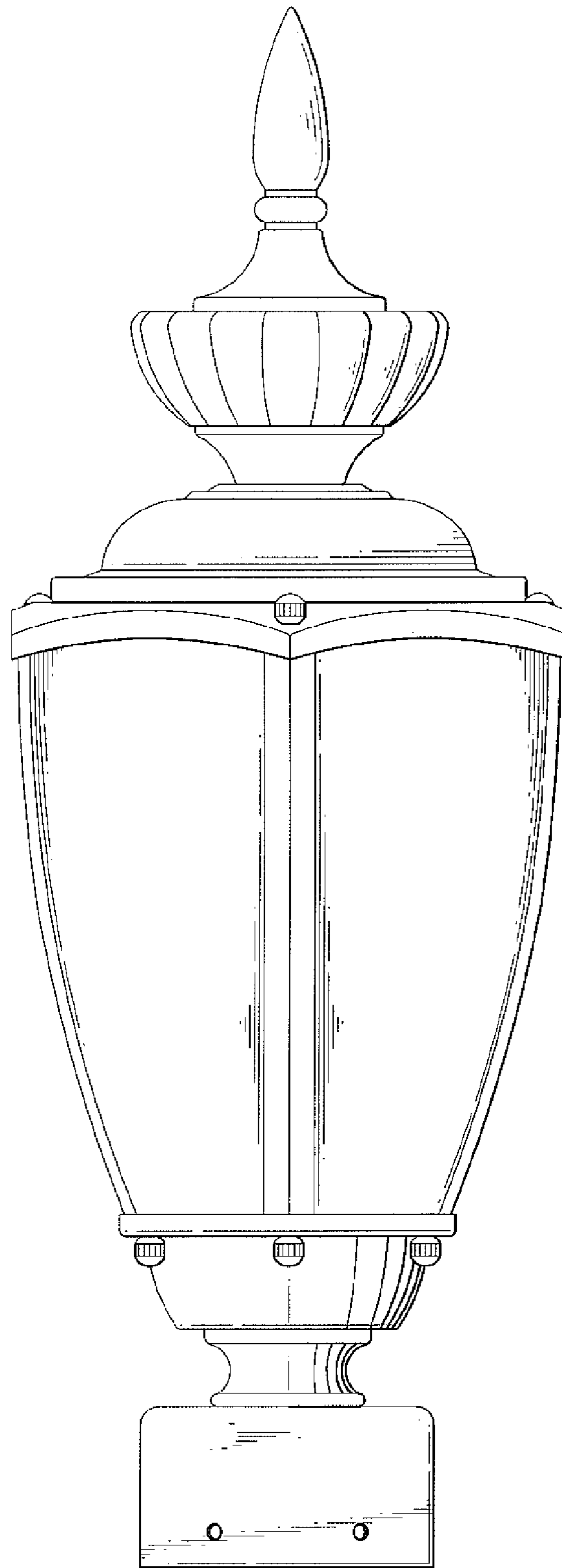


FIG. 3

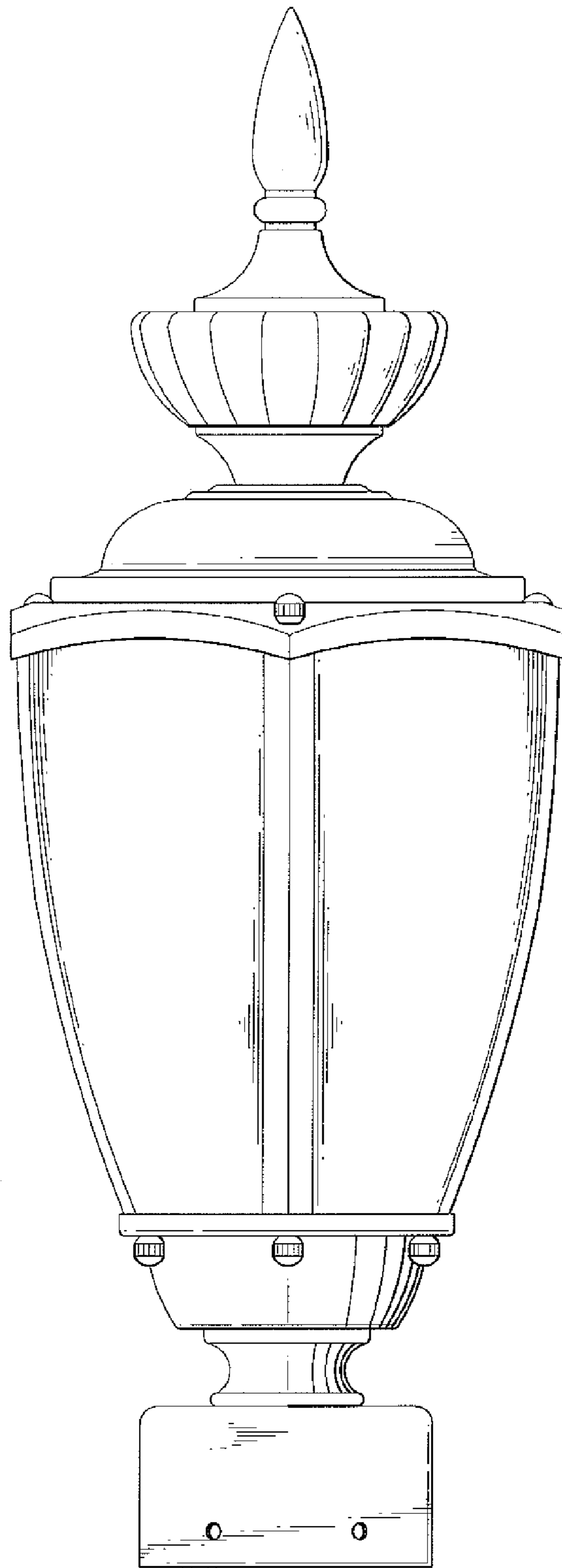


FIG. 4

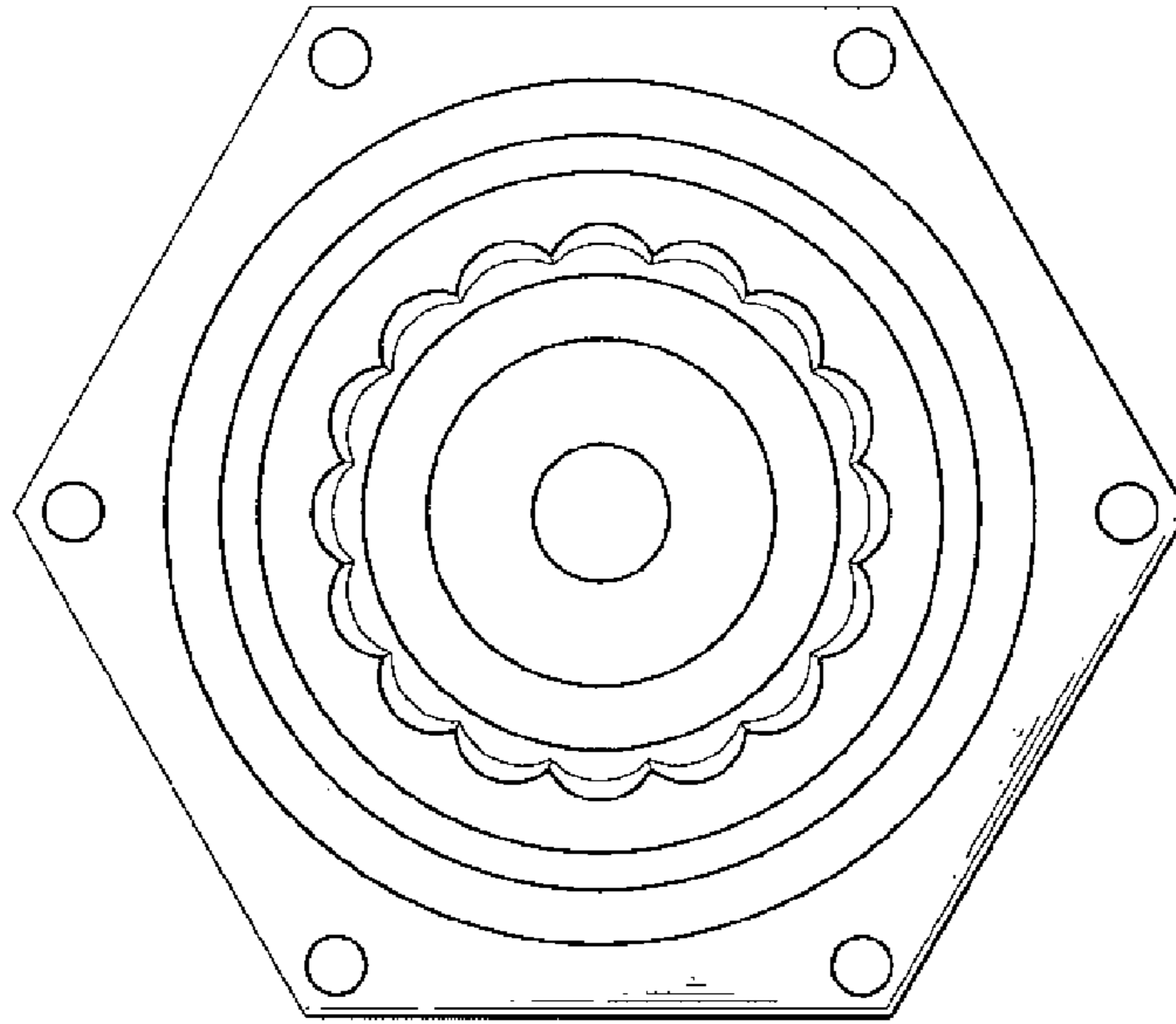


FIG. 5

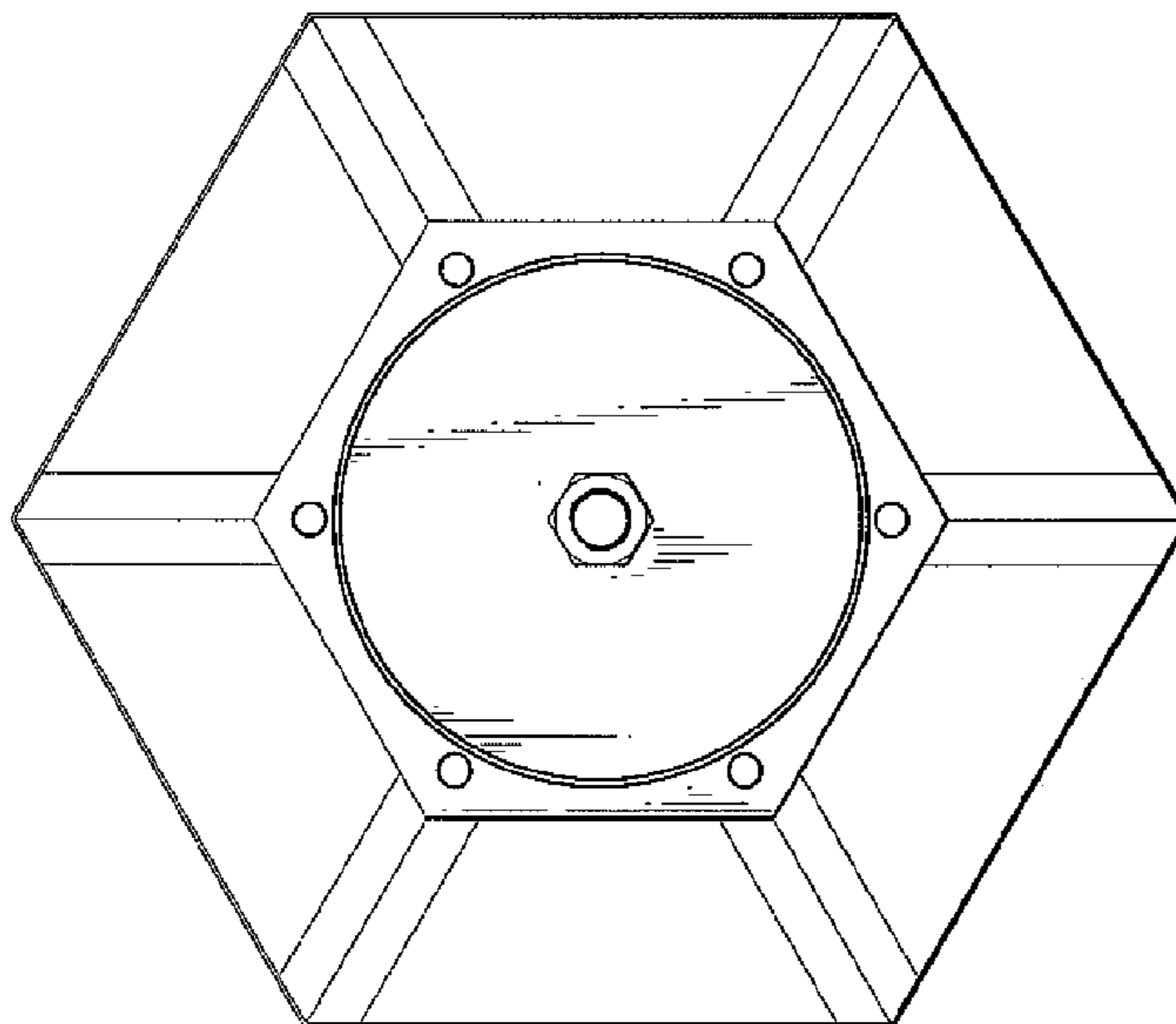


FIG. 6