



US00D557436S

(12) **United States Design Patent**
Iai et al.

(10) **Patent No.:** **US D557,436 S**
(45) **Date of Patent:** **** Dec. 11, 2007**

(54) **DESK LAMP**

2003/0133305 A1* 7/2003 Chen 362/414

(75) Inventors: **Tohru Iai**, Nishinomiya (JP); **Naruka Ohtsuki**, Nishinomiya (JP)

FOREIGN PATENT DOCUMENTS

DE DM/048289 * 6/1999

(73) Assignee: **Matsushita Electric Works, Ltd.**,
Osaka (JP)

* cited by examiner

(**) Term: **14 Years**

Primary Examiner—Clare E Heflin

Assistant Examiner—Barbara Fox

(21) Appl. No.: **29/257,657**

(74) *Attorney, Agent, or Firm*—Osha Liang LLP

(22) Filed: **Apr. 7, 2006**

(57) **CLAIM**

(30) **Foreign Application Priority Data**

The ornamental design for a desk lamp, as shown and described.

Nov. 18, 2005 (JP) 2005-034008

DESCRIPTION

(51) **LOC (8) Cl.** **26-05**

FIG. 1 shows a perspective view of the design according to the invention.

(52) **U.S. Cl.** **D26/63**

(58) **Field of Classification Search** D26/60–66,
D26/107, 138, 142; 362/410, 411, 412, 413,
362/414, 418, 427, 269, 275, 287, 419, 277,
362/282, 285, 371, 804

FIG. 2 shows a front view of the design according to the invention.

See application file for complete search history.

FIG. 3 shows a rear view of the design according to the invention.

(56) **References Cited**

FIG. 4 shows a left side view of the design according to the invention.

U.S. PATENT DOCUMENTS

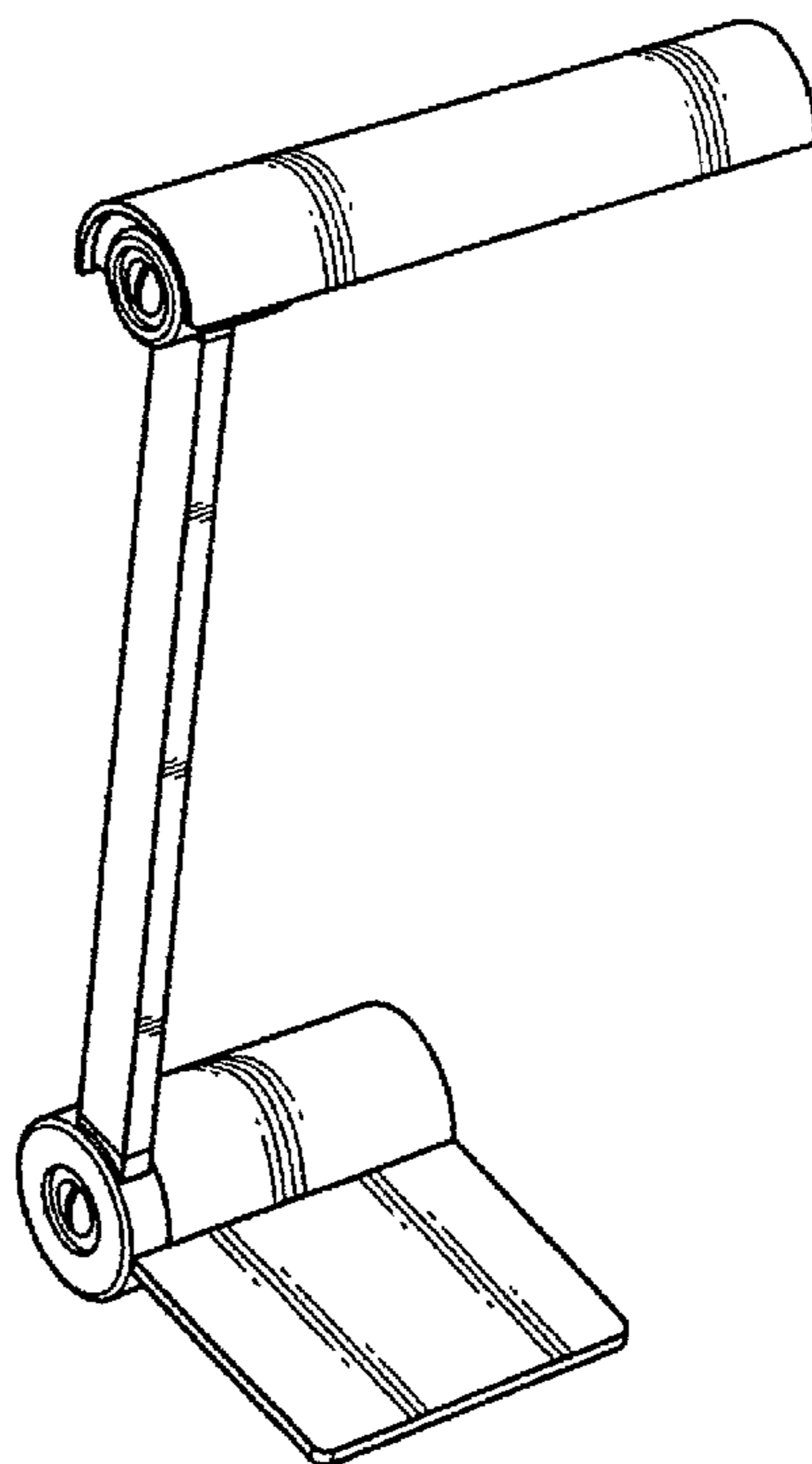
D284,310 S * 6/1986 Schaffer et al. D26/65
D325,997 S * 5/1992 Dieperink et al. D26/107
D330,437 S * 10/1992 Wu D26/63
D427,348 S * 6/2000 Huang D26/63
D428,179 S * 7/2000 Huang D26/65
D488,248 S * 4/2004 Toyoaki et al. D26/65
6,814,473 B2 * 11/2004 Chen 362/402
D542,455 S * 5/2007 Newcomb et al. D26/60

FIG. 5 shows a right view of the design according to the invention.

FIG. 6 shows a top view of the design according to the invention; and,

FIG. 7 shows a bottom view of the design according to the invention.

1 Claim, 5 Drawing Sheets



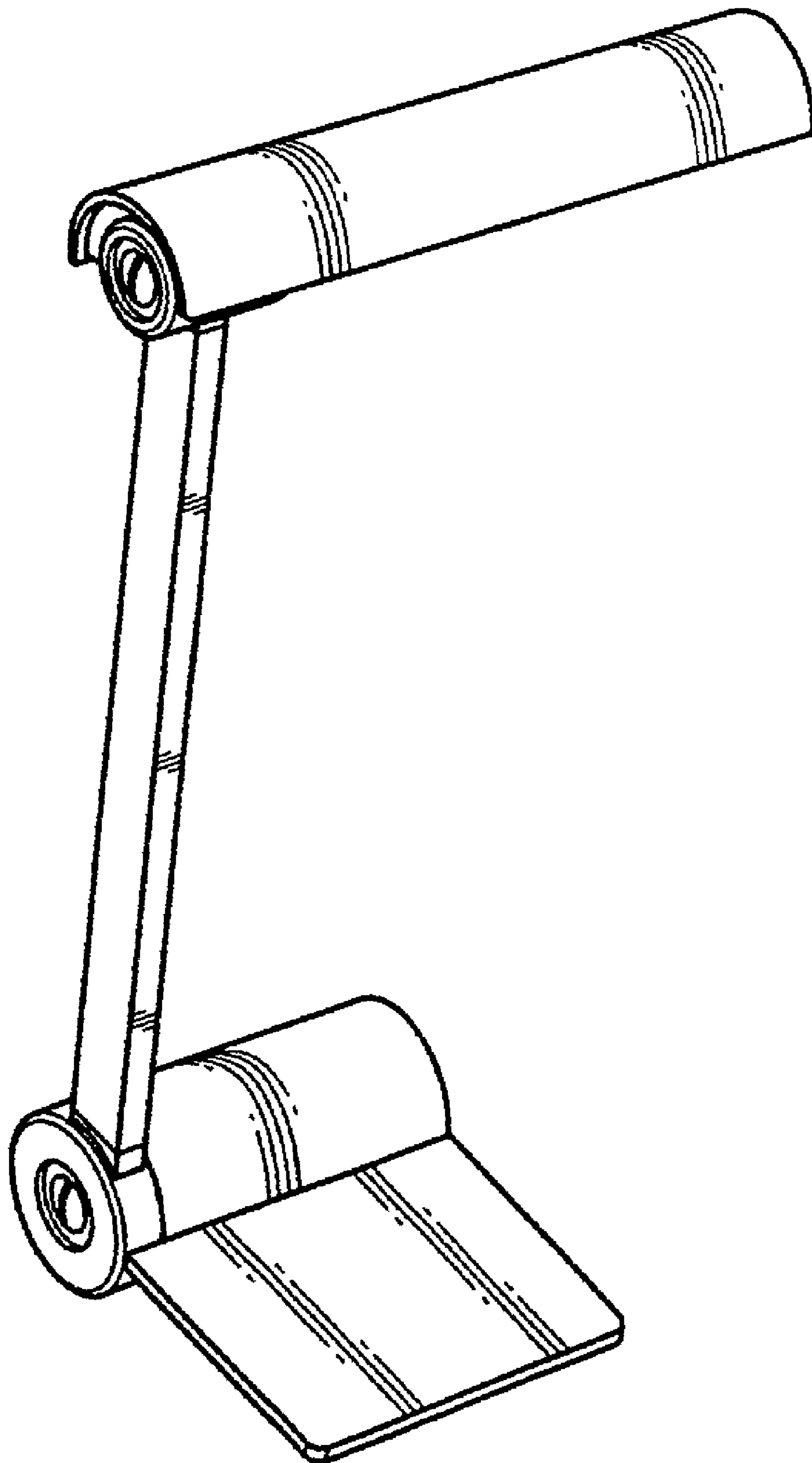


FIG. 1

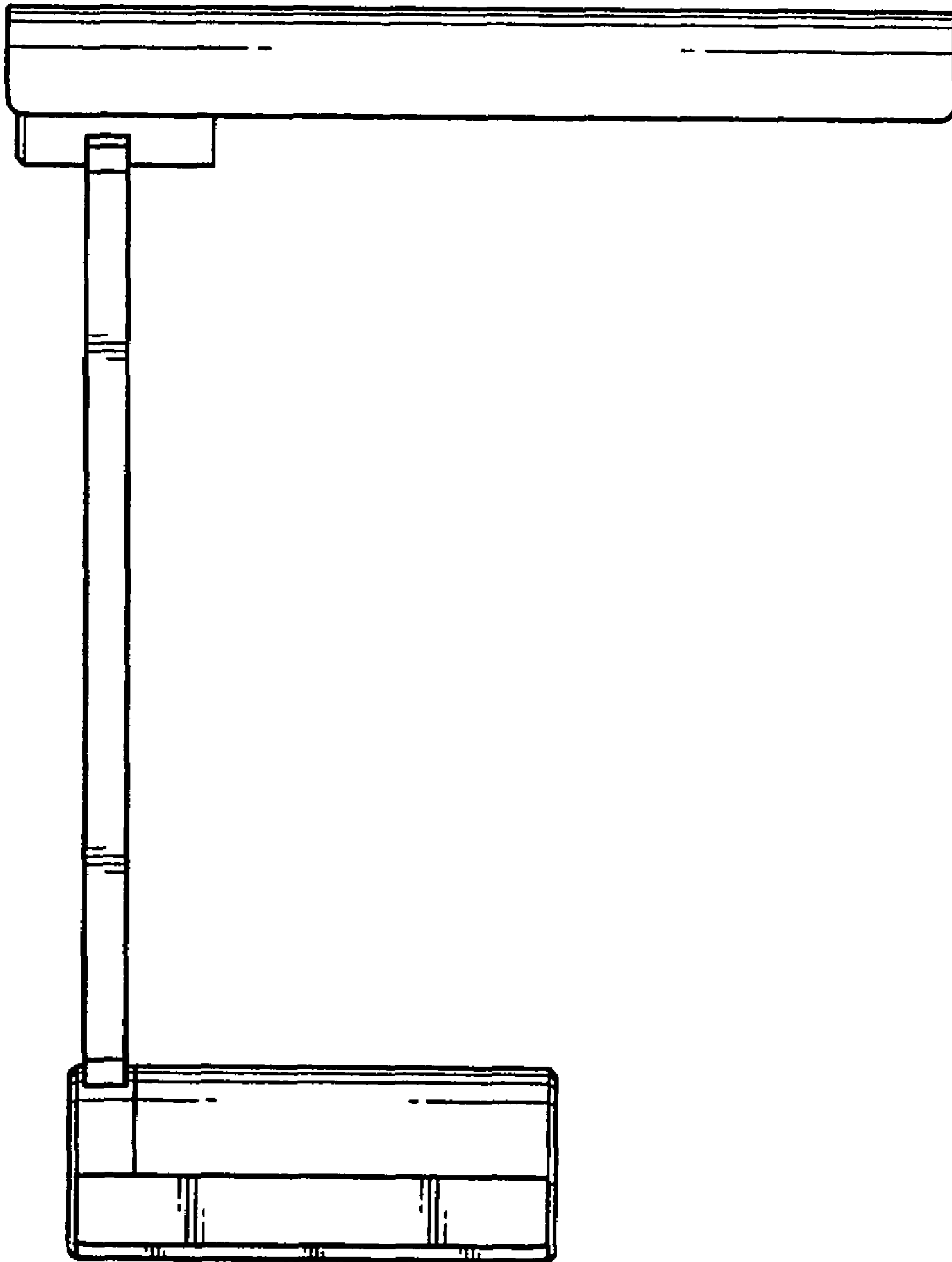


FIG. 2

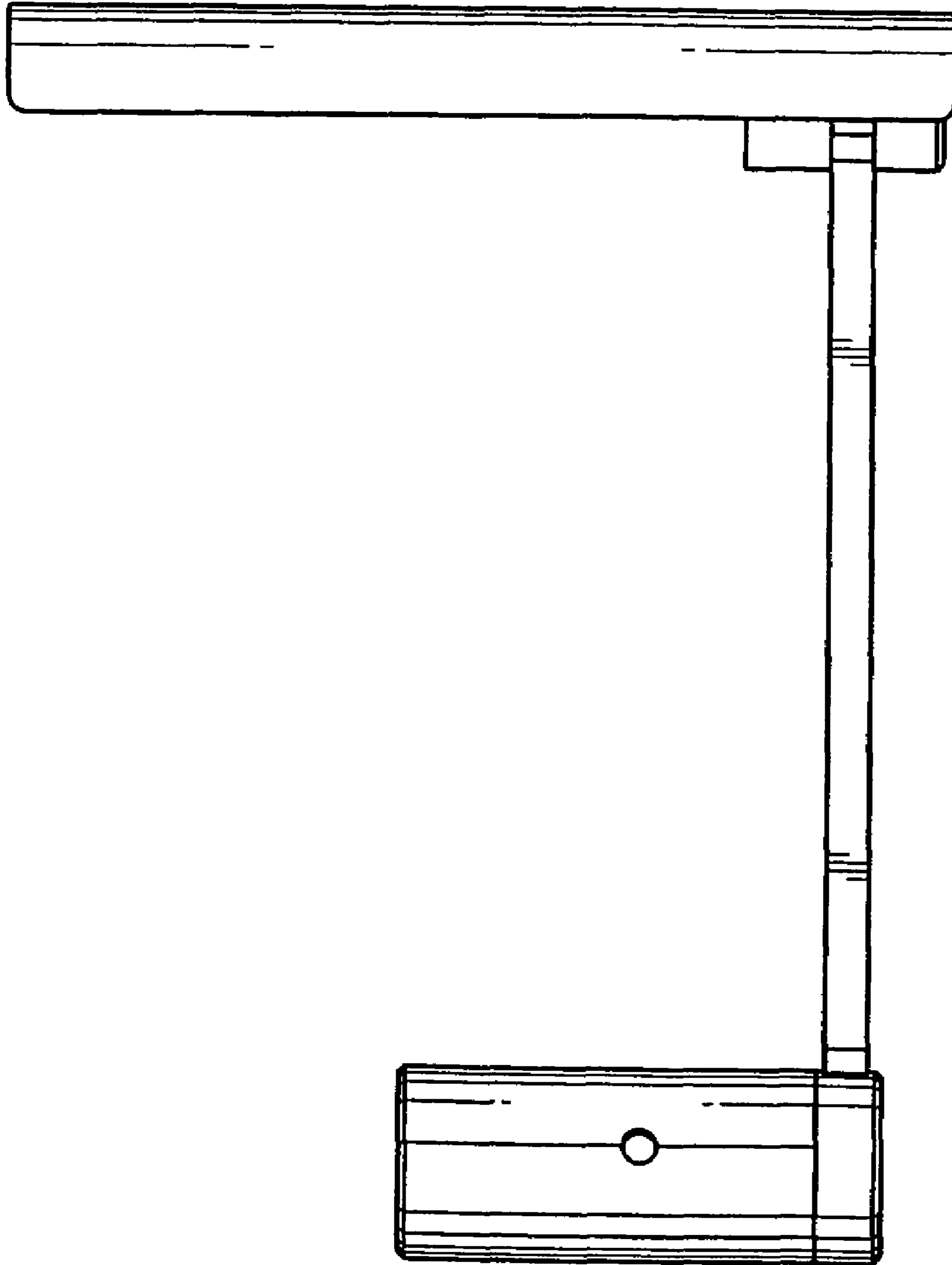


FIG. 3

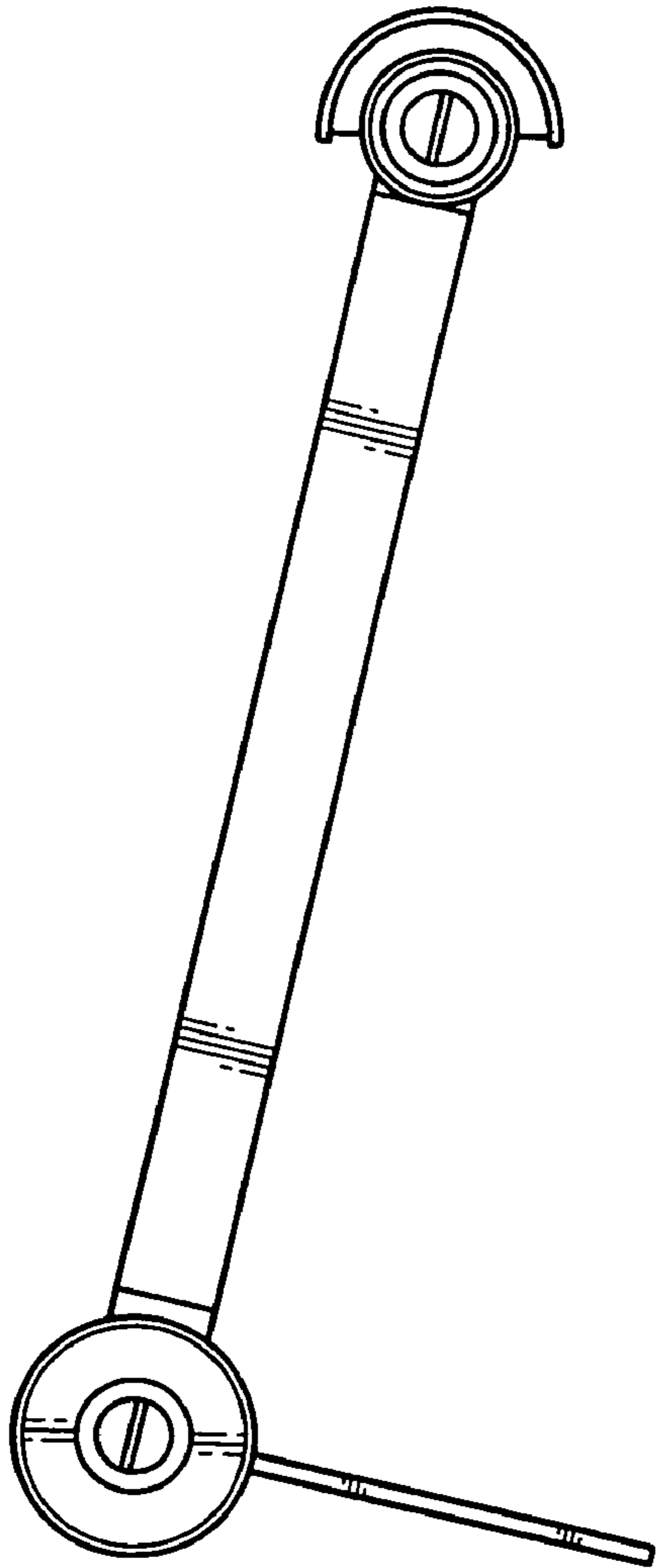


FIG. 4

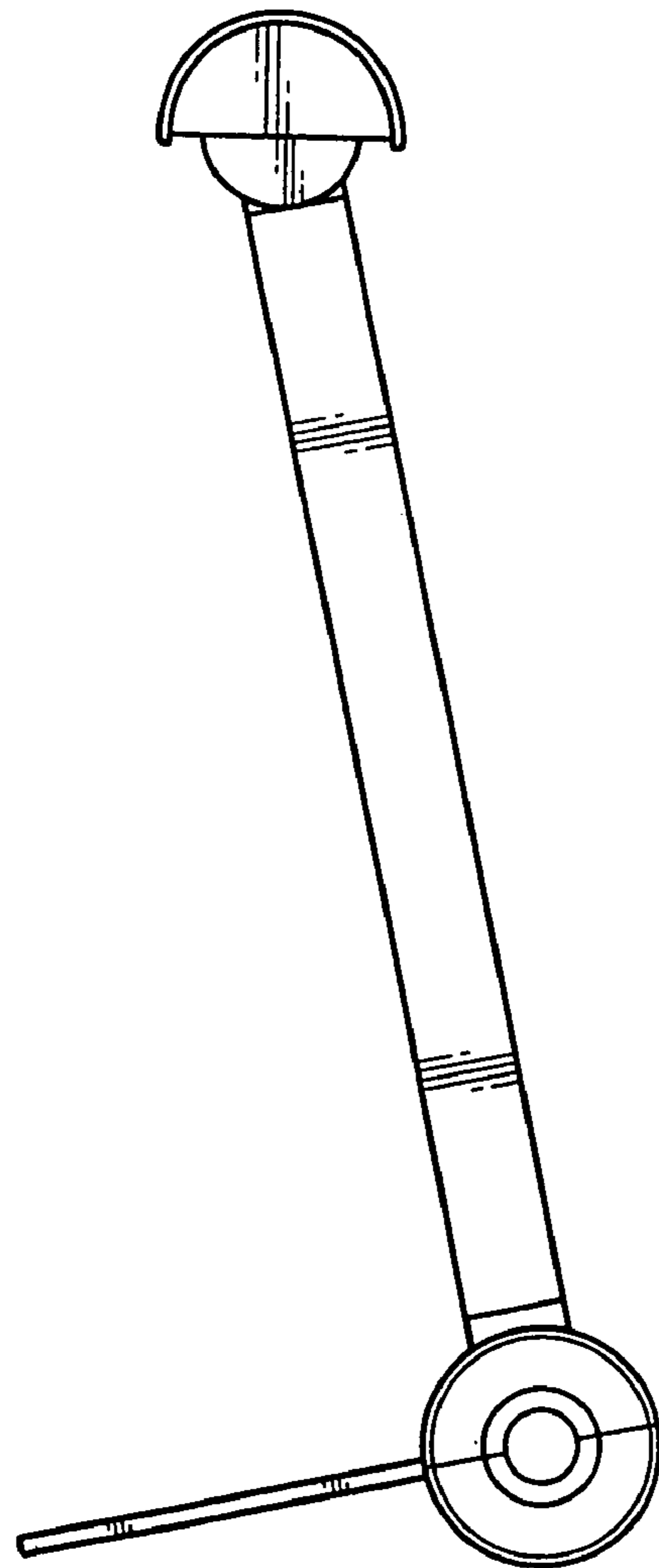


FIG. 5

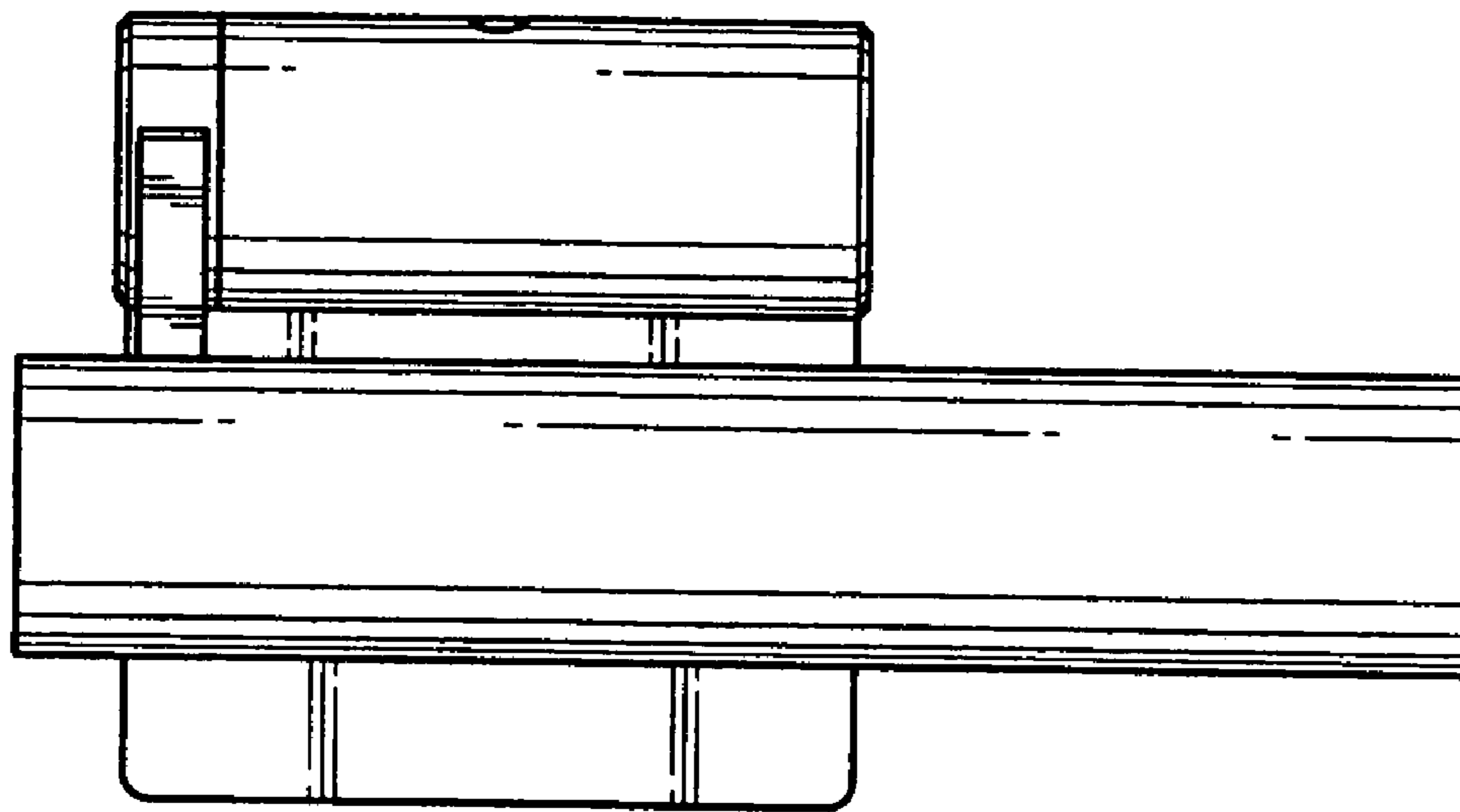


FIG. 6

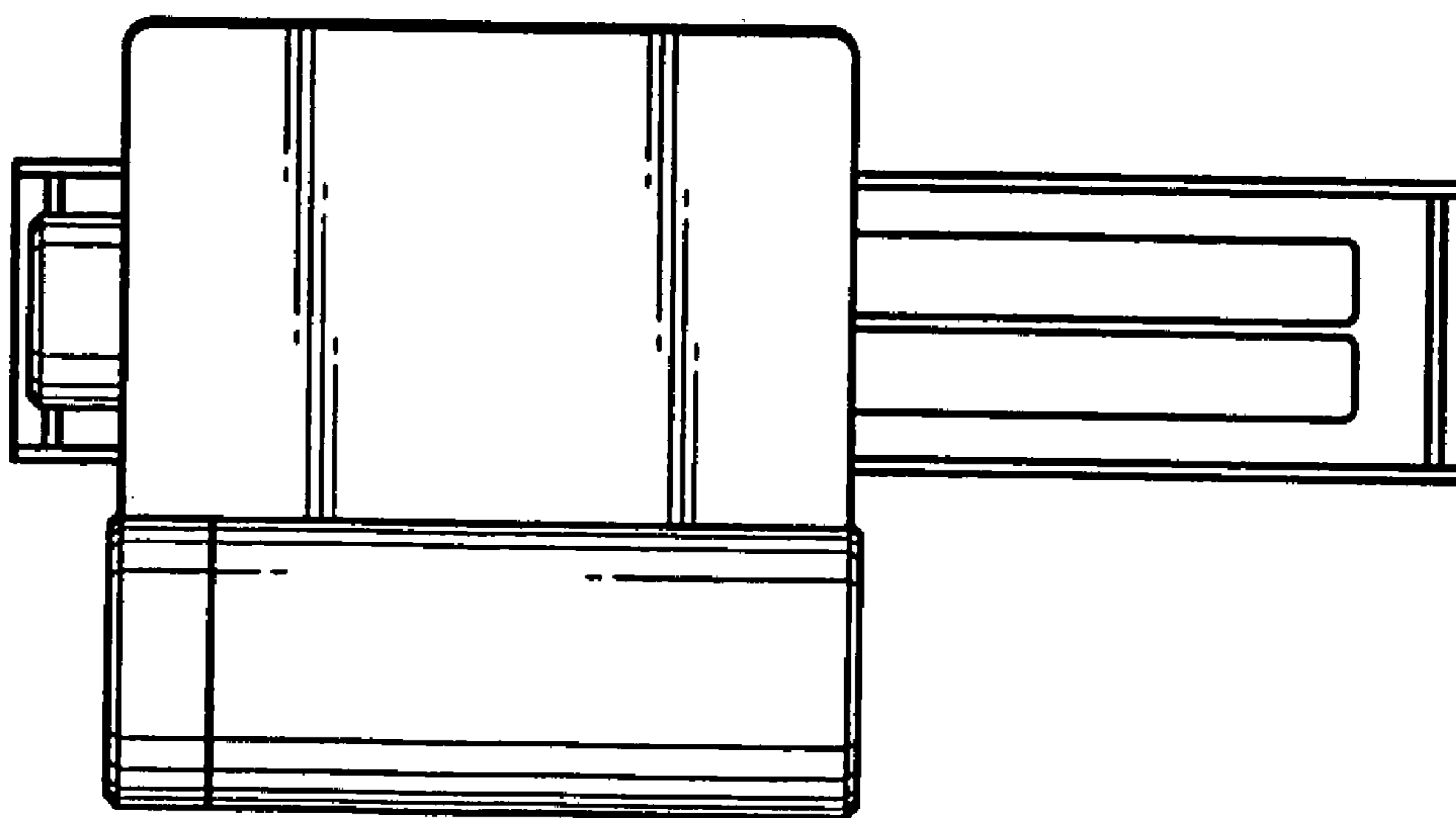


FIG. 7