



US00D557435S

(12) **United States Design Patent**  
**Hon et al.**

(10) **Patent No.:** **US D557,435 S**

(45) **Date of Patent:** **\*\* Dec. 11, 2007**

(54) **SOLAR POWERED OUTDOOR LIGHT**

(75) Inventors: **Siu Cheong Hon**, Tseung Kwan O  
(HK); **Chung Wai Wah**, Kowloon  
(HK)

(73) Assignee: **The Brinkmann Corporation**, Dallas,  
TX (US)

(\*\*) Term: **14 Years**

(21) Appl. No.: **29/223,791**

(22) Filed: **Feb. 18, 2005**

(51) **LOC (8) Cl.** ..... **26-05**

(52) **U.S. Cl.** ..... **D26/63**

(58) **Field of Classification Search** ..... D26/24,  
D26/60-67, 85; 362/285, 287, 418, 419,  
362/427, 147, 269, 271, 275, 291, 310, 311,  
362/362, 296, 159, 187, 266

See application file for complete search history.

(56) **References Cited**

**U.S. PATENT DOCUMENTS**

D309,953 S *	8/1990	Chien	.....	D26/67
D320,173 S *	9/1991	Yuen	.....	D10/114
D321,764 S *	11/1991	Von Klier	.....	D26/63
D332,669 S *	1/1993	Frost et al.	.....	D26/63
D437,067 S *	1/2001	Lam	.....	D26/39
D488,247 S *	4/2004	Lin	.....	D26/64

D533,675 S \* 12/2006 Didier et al. .... D26/67  
7,172,310 B2 \* 2/2007 Hsu ..... 362/197

\* cited by examiner

*Primary Examiner*—Clare E Heflin

*Assistant Examiner*—Barbara Fox

(74) *Attorney, Agent, or Firm*—Sheppard, Mullin, Richter &  
Hampton LLP

(57) **CLAIM**

We claim the ornamental design for a solar powered outdoor  
light, as shown and described.

**DESCRIPTION**

FIG. 1 is an overhead perspective view of a solar powered  
outdoor light in accordance with our new design;

FIG. 2 is a first side elevational view of the outdoor light of  
FIG. 1.

FIG. 3 is a second side elevational view of the outdoor light  
of FIG. 1.

FIG. 4 is a front elevational view of the outdoor light of FIG.  
1.

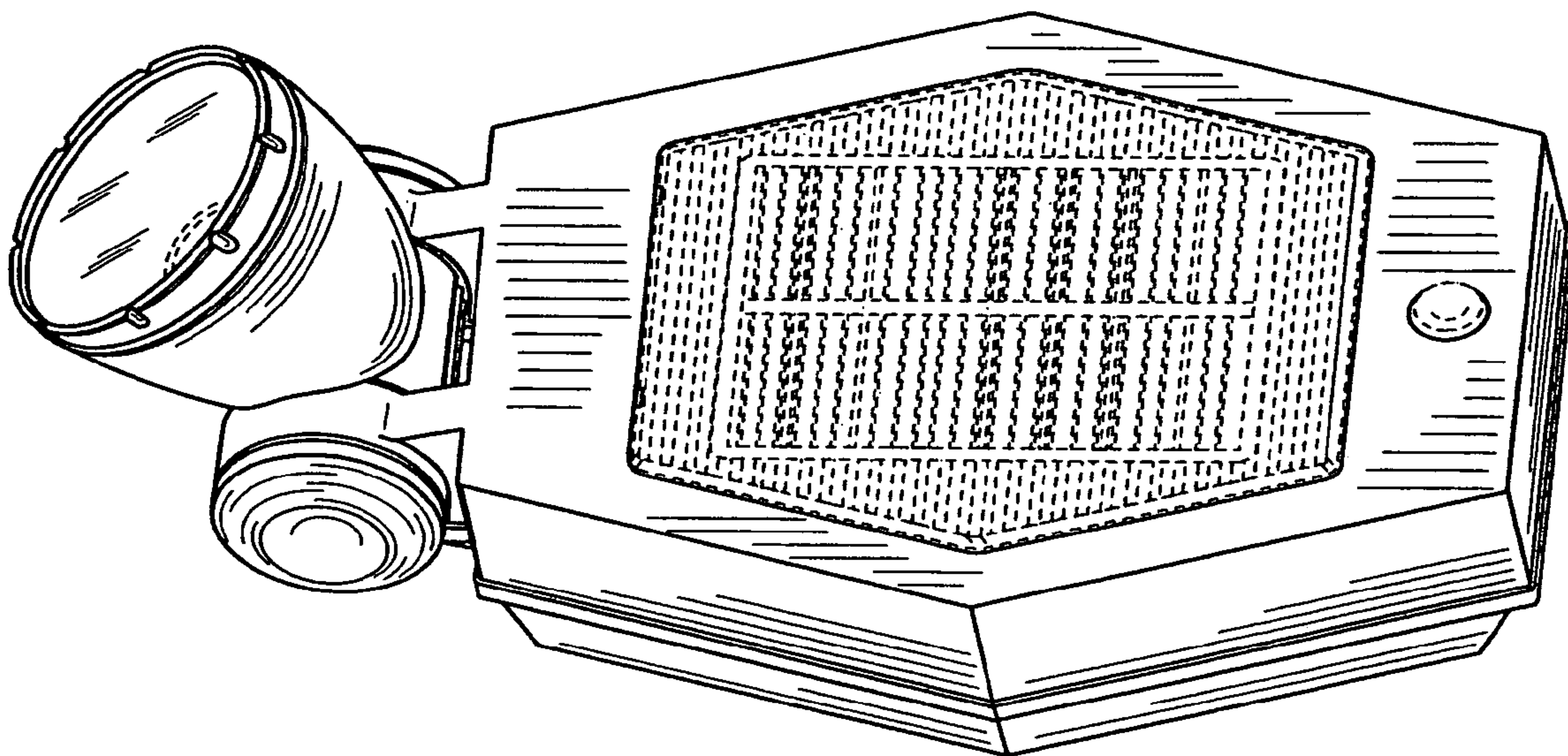
FIG. 5 is a rear elevational view of the outdoor light of FIG.  
1.

FIG. 6 is a top plan view of the outdoor light of FIG. 1; and,

FIG. 7 is a bottom plan view of the outdoor light of FIG. 1.

The dashed lines are for illustrative purposes only and form  
no part of the claimed design.

**1 Claim, 4 Drawing Sheets**



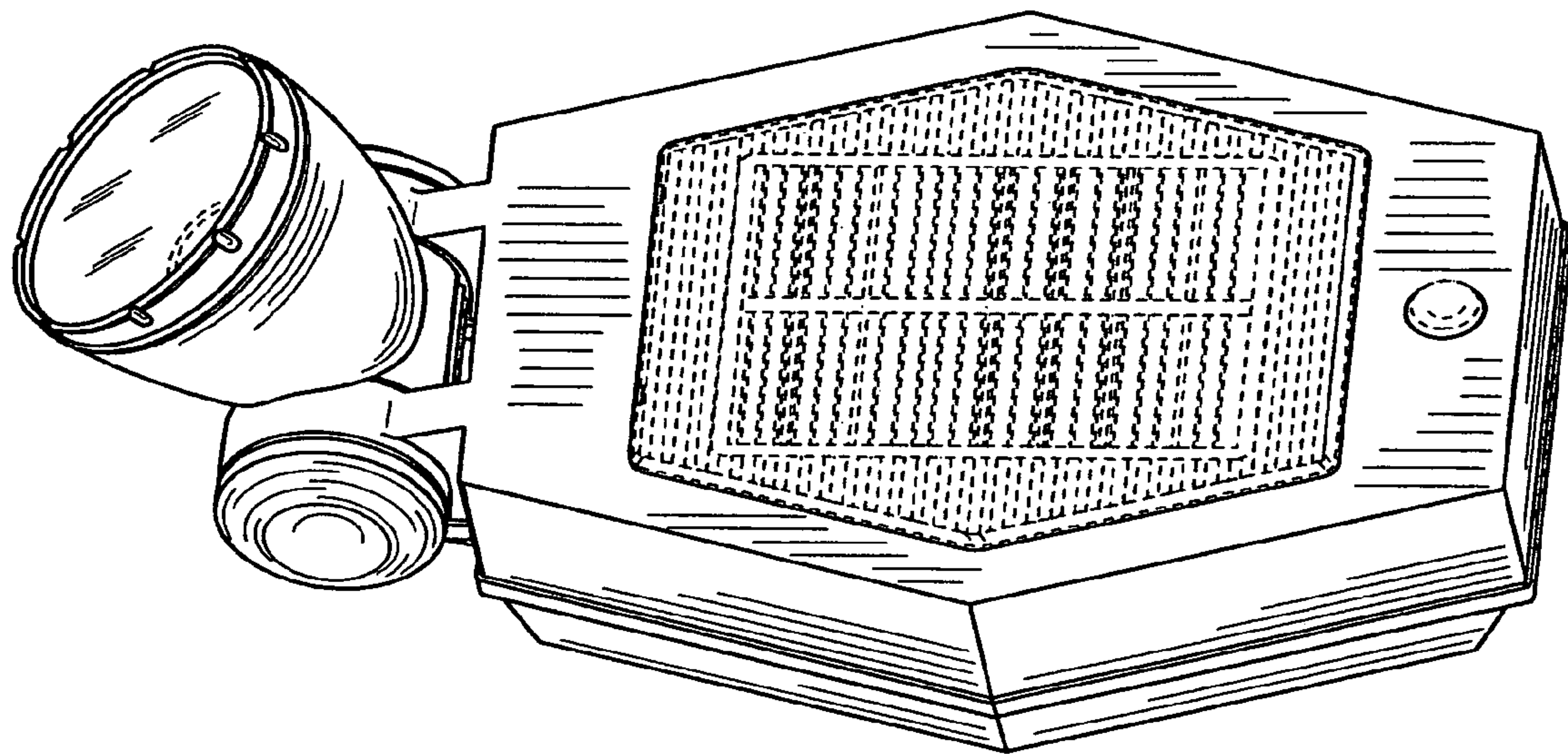


FIG. 1

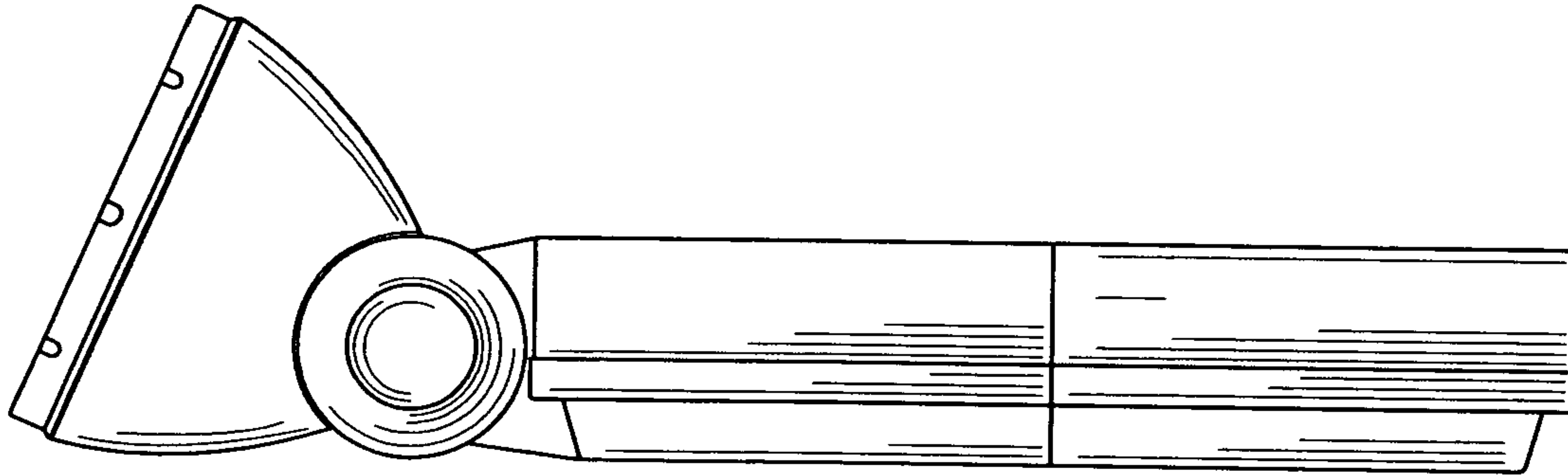


FIG. 2

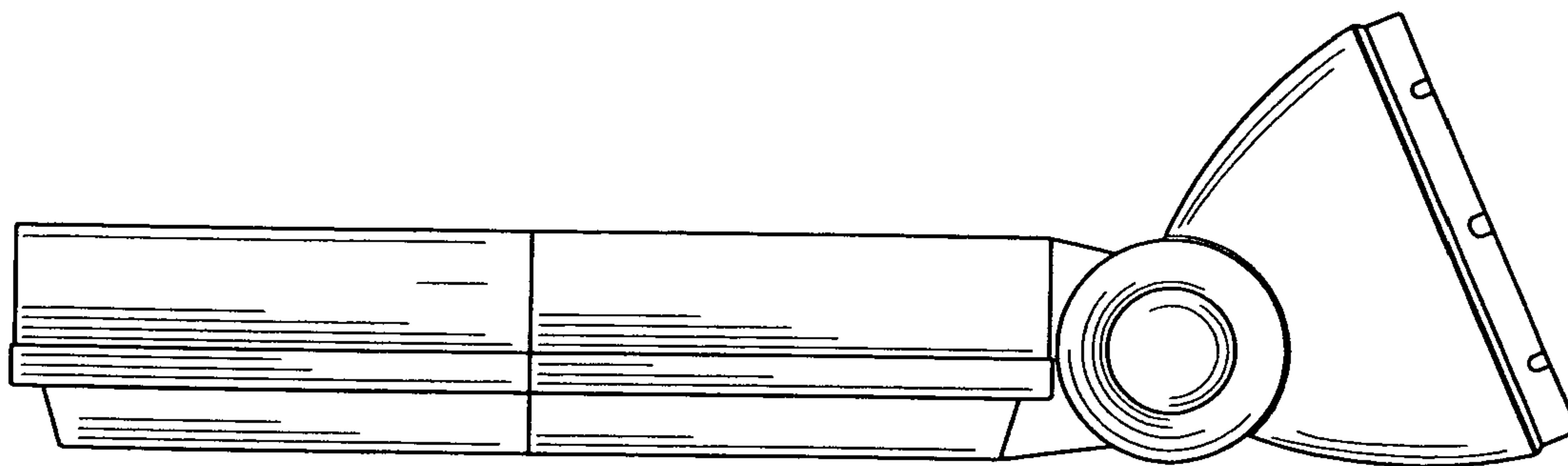
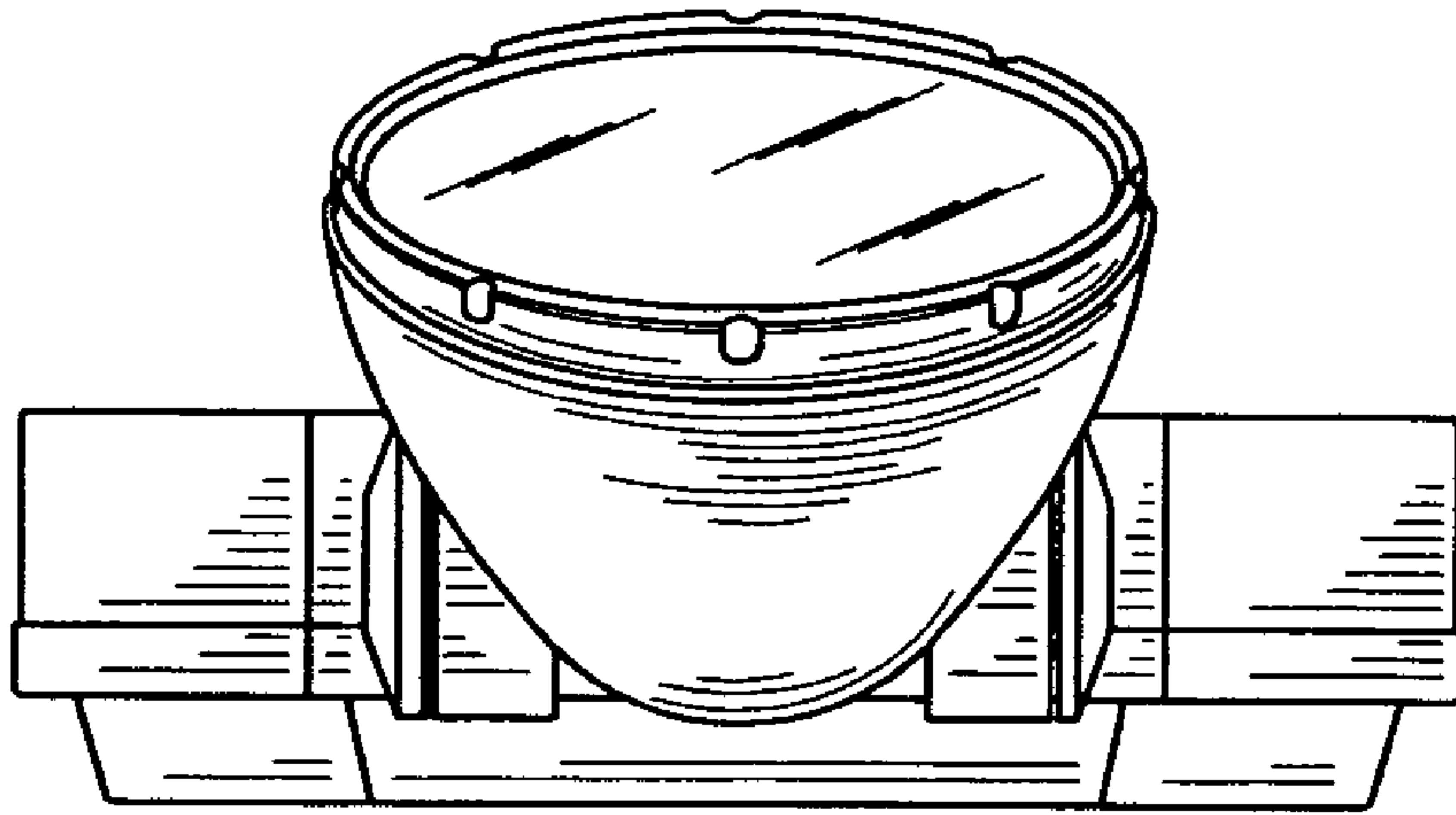
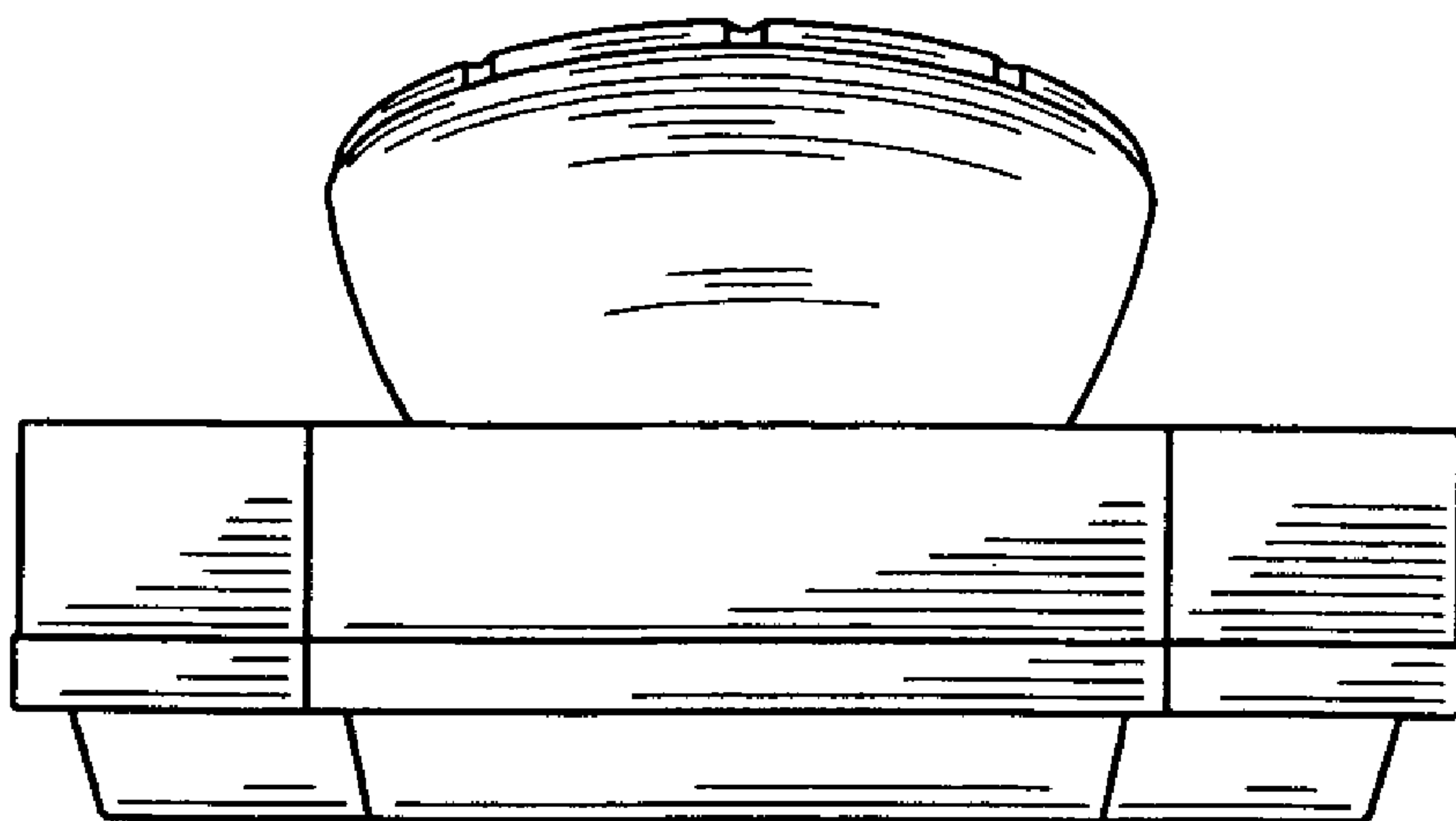


FIG. 3



**FIG. 4**



**FIG. 5**



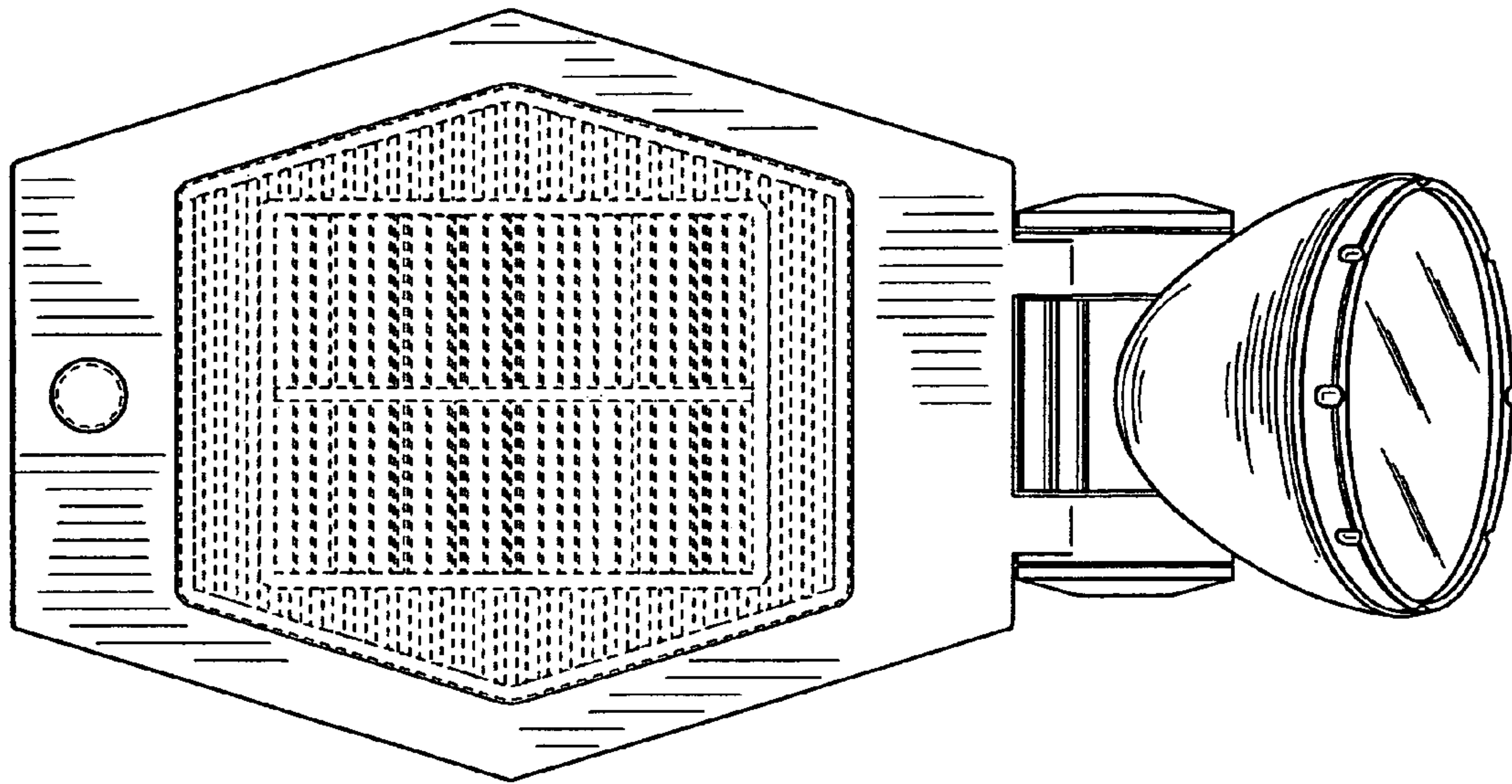


FIG. 6

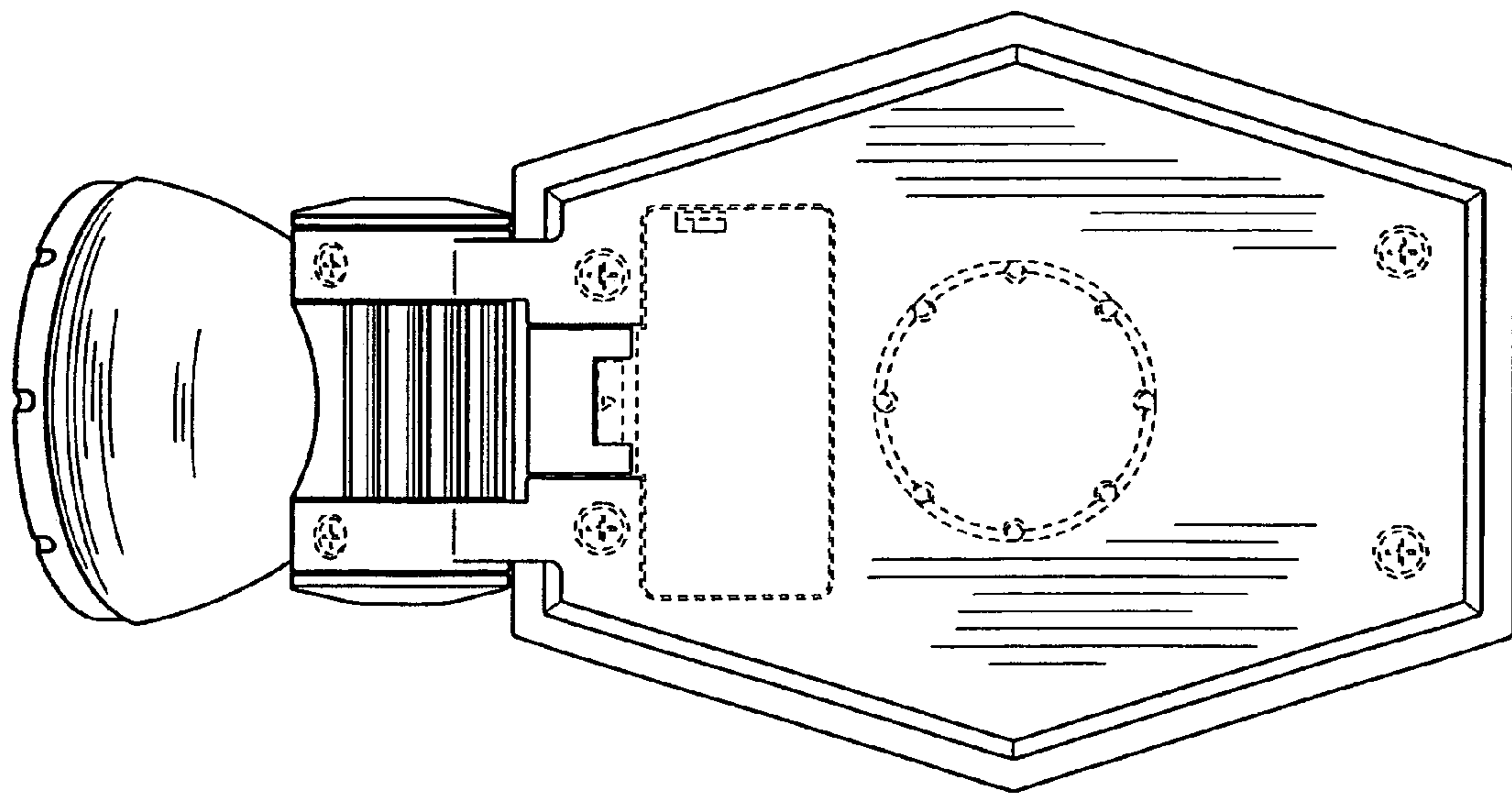


FIG. 7