



US00D557434S

(12) **United States Design Patent**
Benghozi

(10) **Patent No.:** **US D557,434 S**

(45) **Date of Patent:** **** Dec. 11, 2007**

(54) **LAMP**

(76) **Inventor:** **Simon-Victor Benghozi**, 767, St-Remi,
Montreal, Quebec (CA) H4C 3G9

(**) **Term:** **14 Years**

(21) **Appl. No.:** **29/226,690**

(22) **Filed:** **Apr. 1, 2005**

(51) **LOC (8) Cl.** **26-05**

(52) **U.S. Cl.** **D26/61**

(58) **Field of Classification Search** D26/60-66,
D26/138; 362/16, 86, 147, 269, 275, 277,
362/278, 282, 285, 287, 288, 376-378, 387,
362/396, 403, 410, 413, 418-430, 449, 648
See application file for complete search history.

(56) **References Cited**

U.S. PATENT DOCUMENTS

D287,413 S *	12/1986	Kusmer et al.	D26/65
D316,154 S *	4/1991	Gecchelin	D26/63
D316,156 S *	4/1991	Gecchelin	D26/63
D316,908 S *	5/1991	Atkinson et al.	D26/63
5,072,216 A *	12/1991	Grange	340/825.52
D323,565 S *	1/1992	Woodgate	D26/63
D326,162 S *	5/1992	Price	D26/63
D328,147 S *	7/1992	Gecchelin	D26/63
D370,070 S *	5/1996	Kay	D26/67
D400,996 S *	11/1998	Tang	D26/63
D435,925 S *	1/2001	Hiller et al.	D26/63
D442,717 S *	5/2001	Binsukor	D26/63

D495,079 S *	8/2004	Mullen	D26/63
D519,662 S *	4/2006	Mullen	D26/61
D535,423 S *	1/2007	Mier-Langner et al.	D26/63
D537,972 S *	3/2007	Mier-Langner et al.	D26/63
D541,457 S *	4/2007	Benghozi	D26/63
D541,458 S *	4/2007	Benghozi	D26/63
D541,459 S *	4/2007	Benghozi	D26/63
D541,460 S *	4/2007	Benghozi	D26/63
D542,956 S *	5/2007	Benghozi	D26/63
D546,993 S *	7/2007	Layne	D26/63

* cited by examiner

Primary Examiner—Cathron Brooks

Assistant Examiner—Barbara Fox

(57) **CLAIM**

The ornamental design for a lamp, as shown and described.

DESCRIPTION

FIG. 1 is a perspective view of a lamp showing my new design;

FIG. 2 is a top plan view thereof;

FIG. 3 is another perspective view thereof;

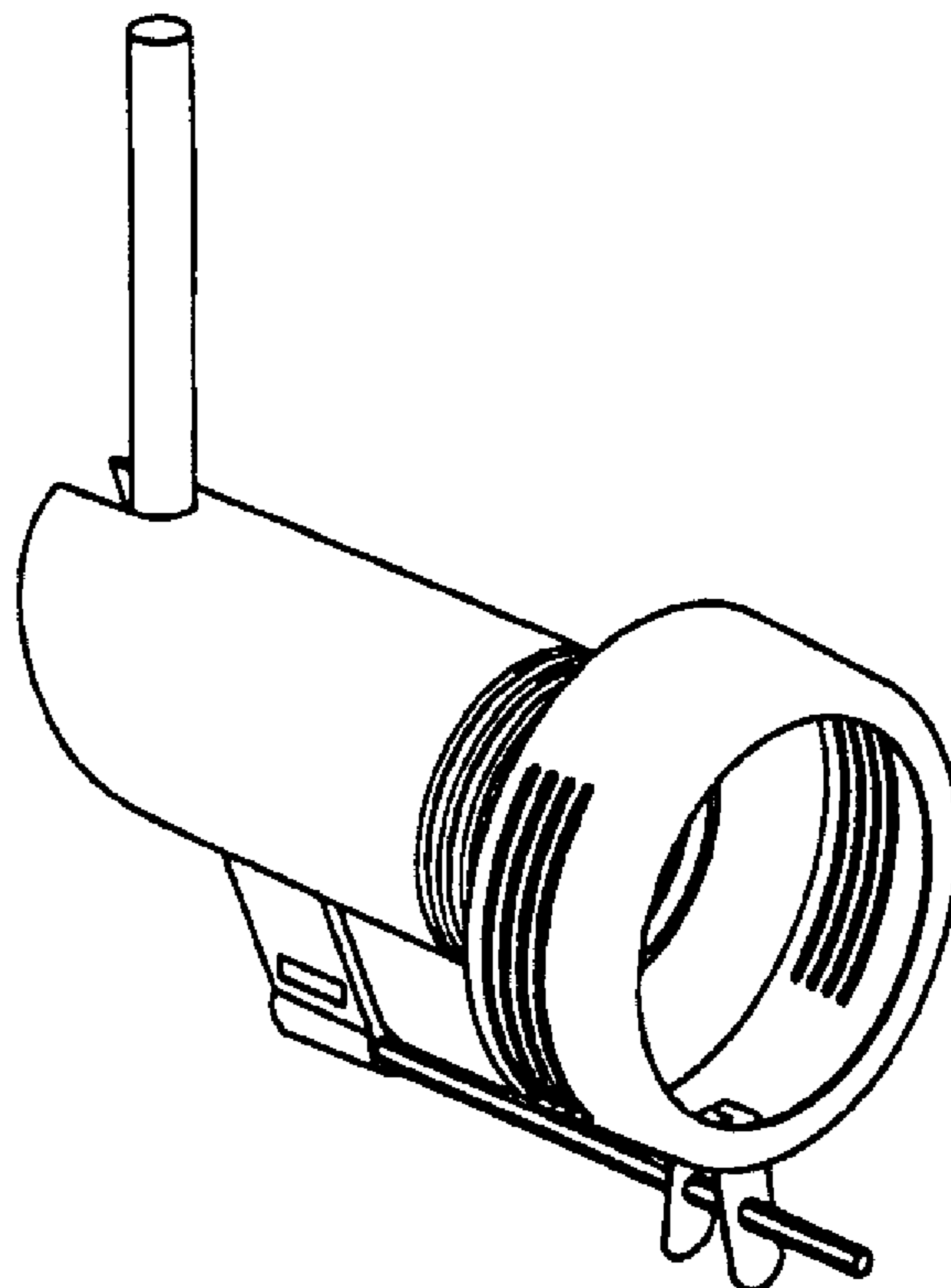
FIG. 4 is a side elevational view thereof;

FIG. 5 is another side elevational view thereof;

FIG. 6 is another side elevational view thereof; and,

FIG. 7 is a bottom plan view thereof.

1 Claim, 1 Drawing Sheet



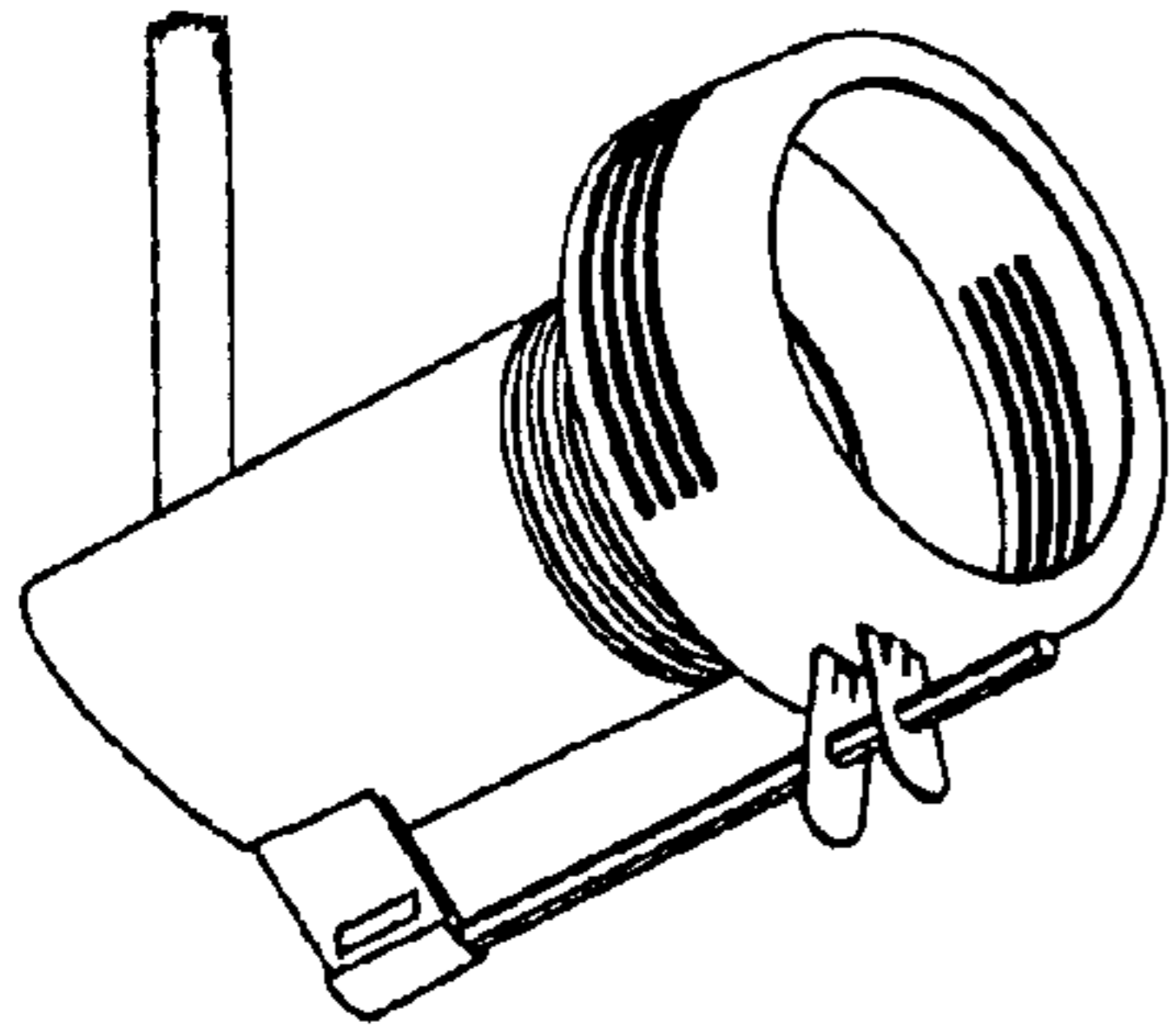


FIG 1

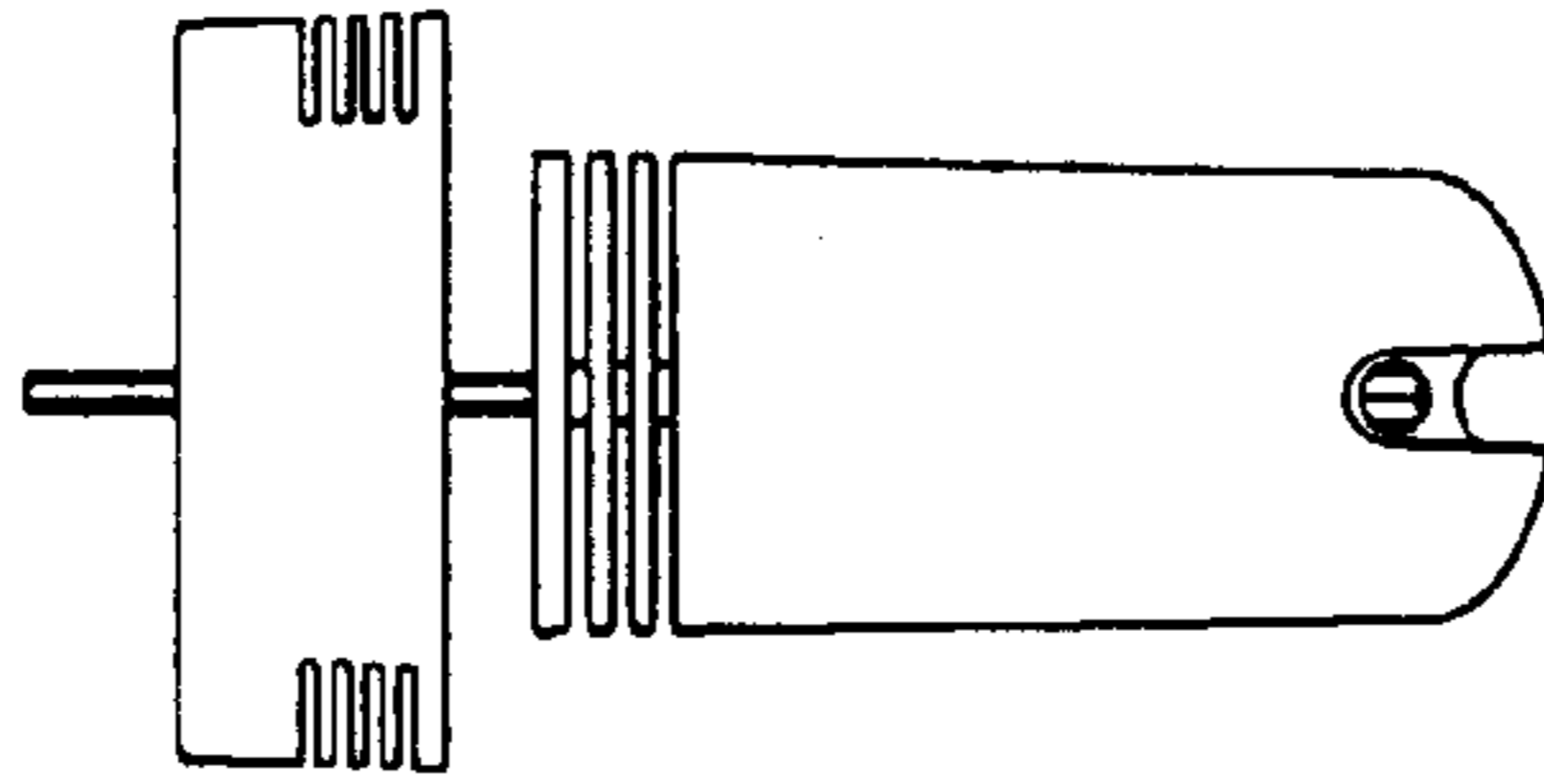


FIG 2

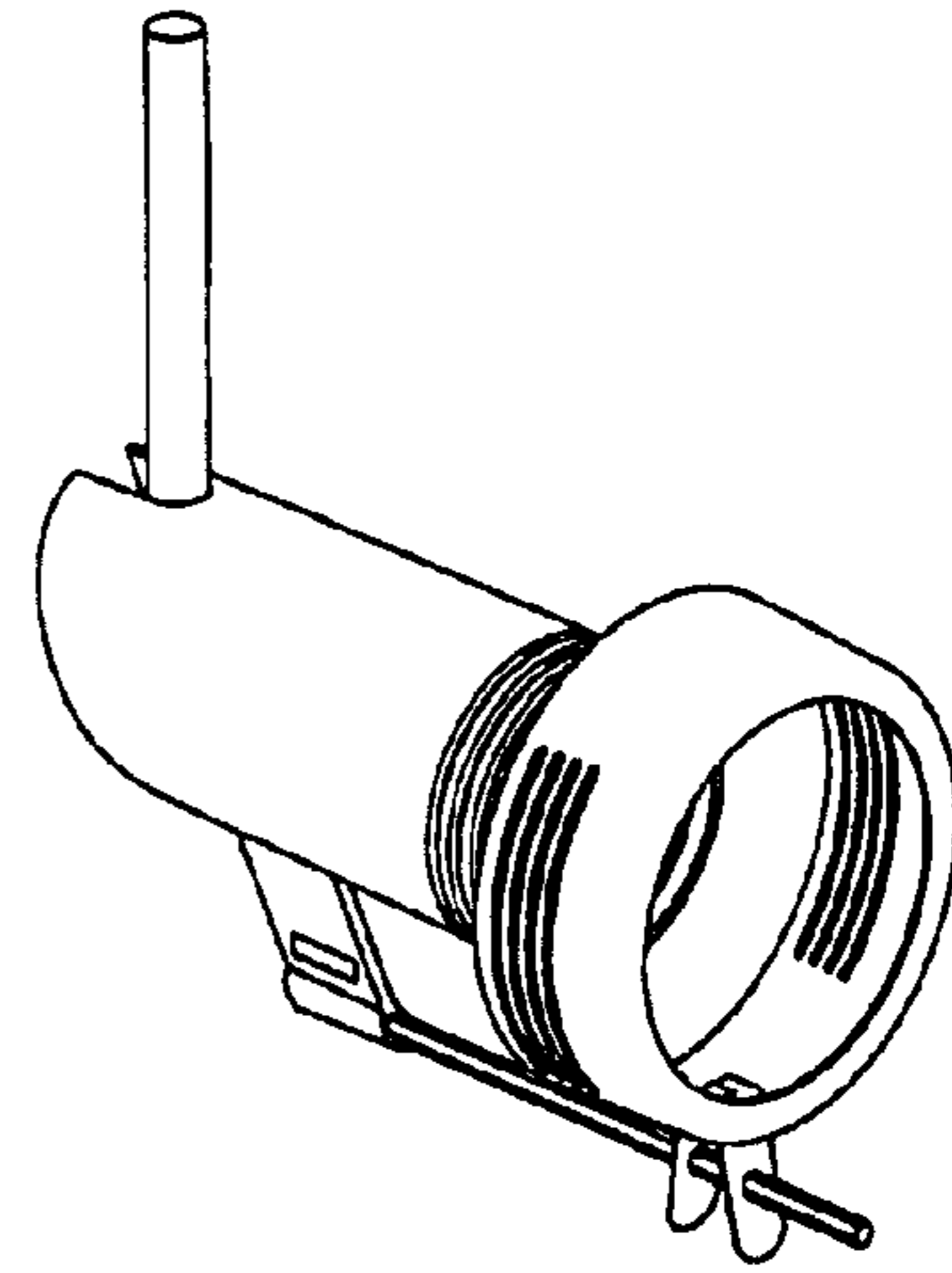


FIG 3

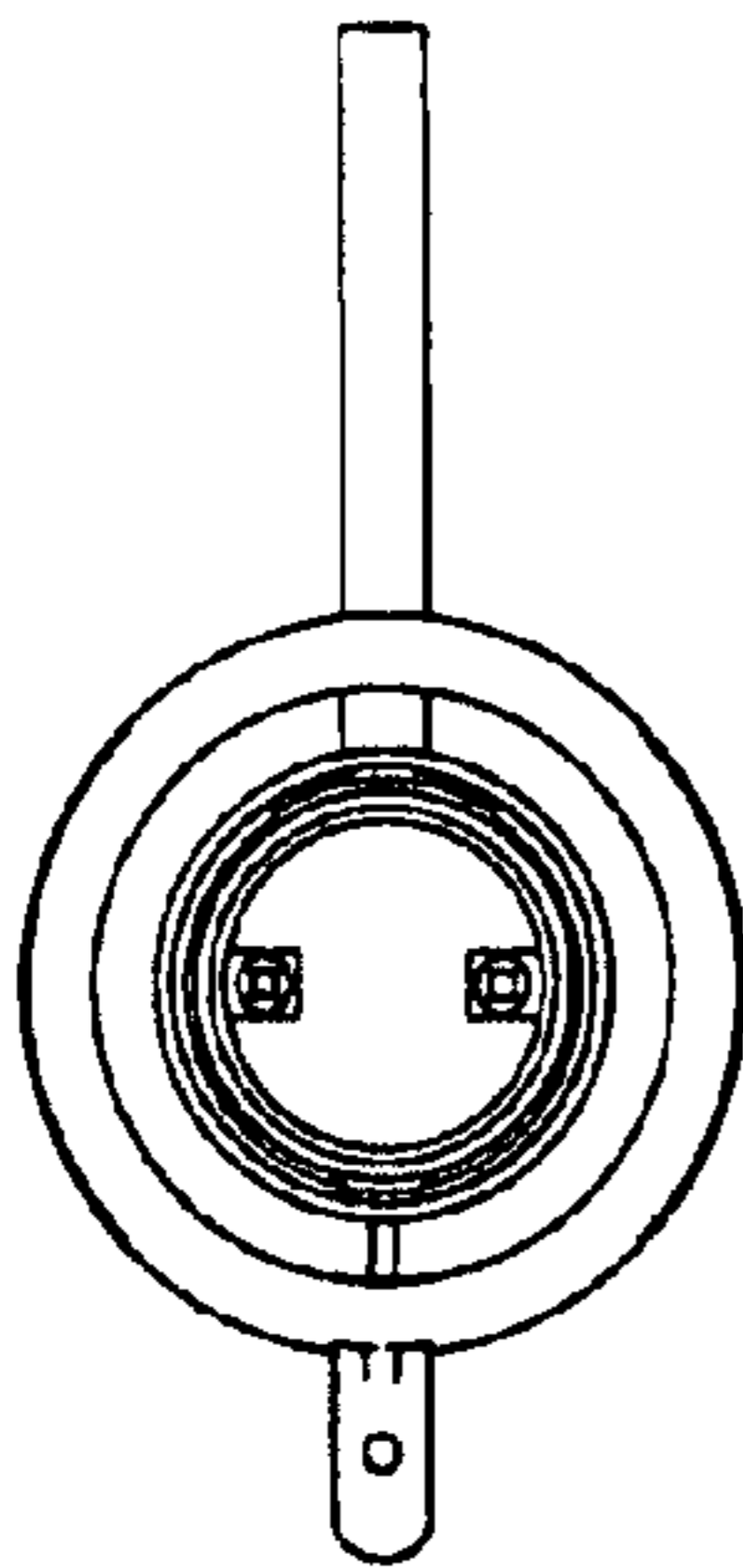


FIG 4

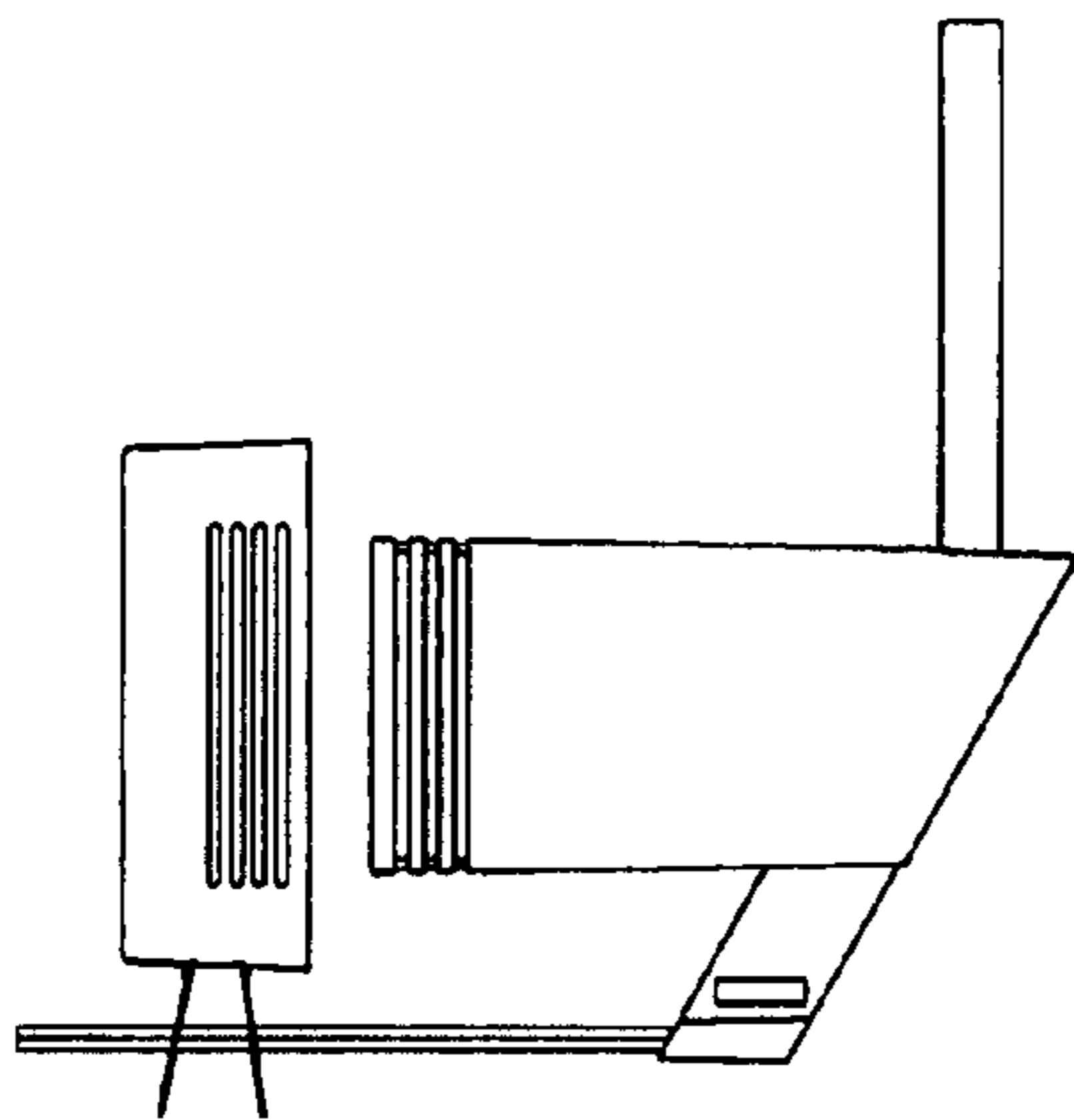


FIG 5

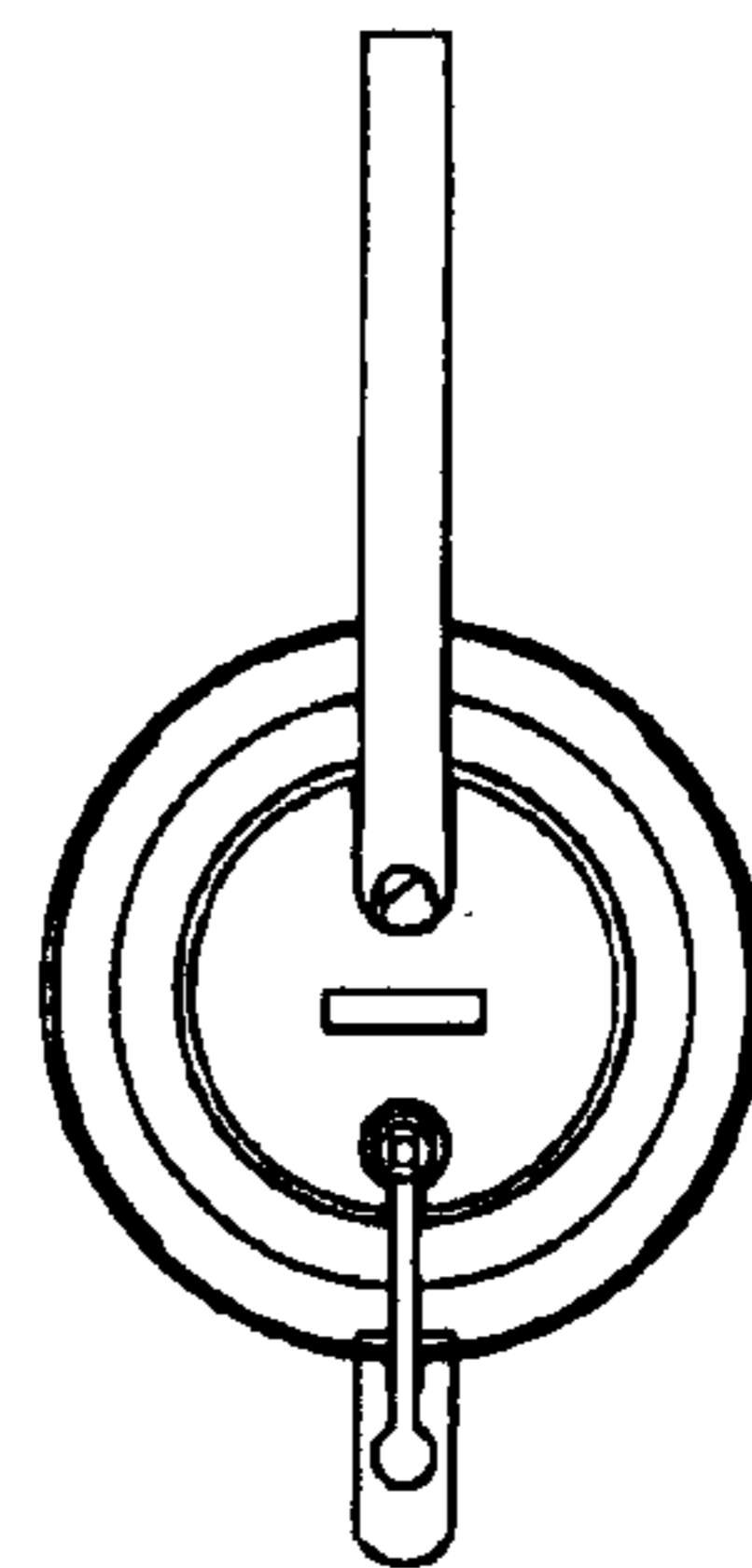


FIG 6

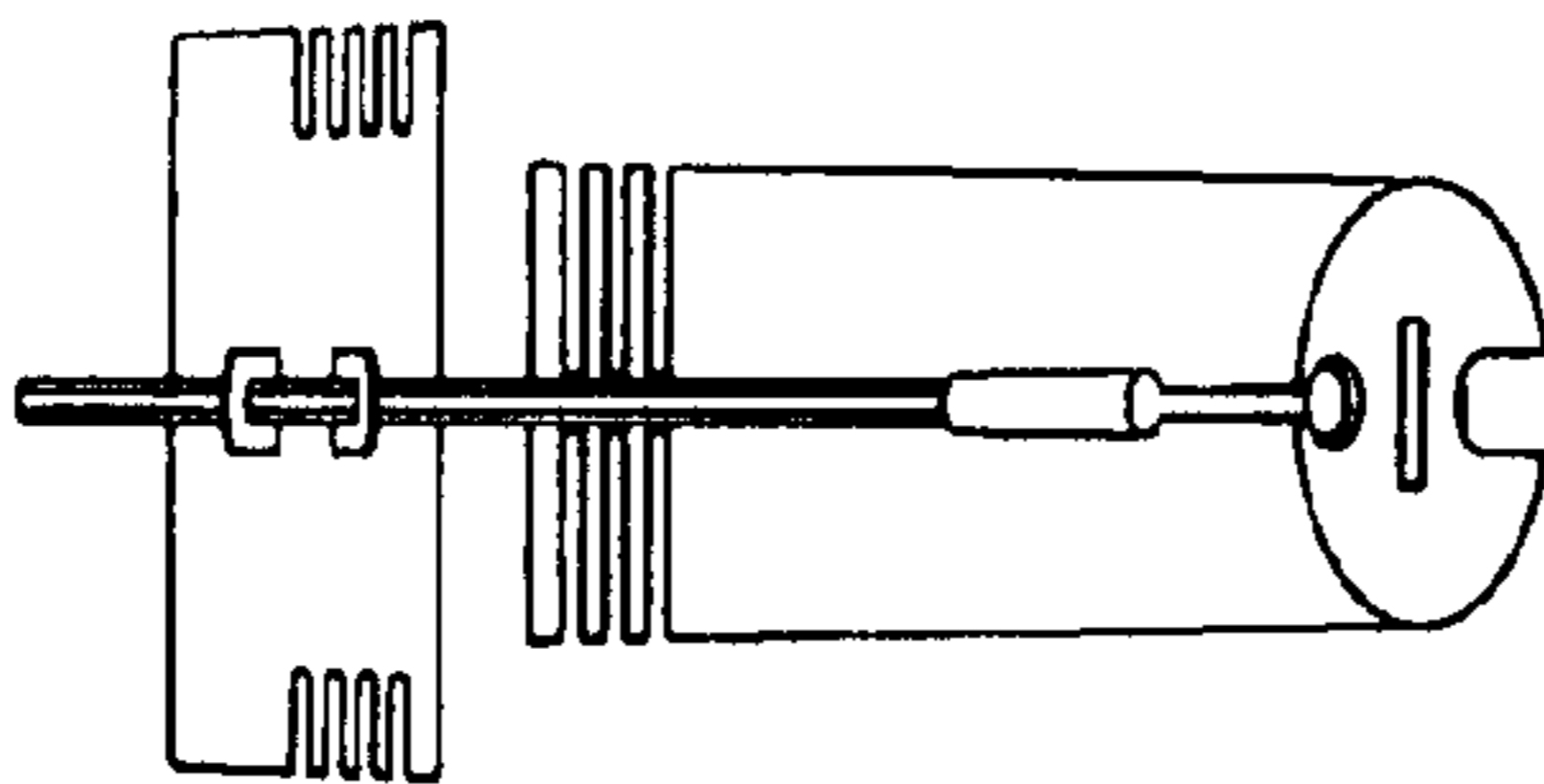


FIG 7