



US00D557432S

(12) **United States Design Patent** (10) **Patent No.:** **US D557,432 S**  
**Smith** (45) **Date of Patent:** **\*\* Dec. 11, 2007**

(54) **BASEBOARD CORNER PROTECTOR**

(76) Inventor: **Gregory D. Smith**, 4054 Hasting Rd., Kernersville, NC (US) 27284

(\*\*) Term: **14 Years**

(21) Appl. No.: **29/263,590**

(22) Filed: **Jul. 27, 2006**

(51) **LOC (8) Cl.** ..... **25-01**

(52) **U.S. Cl.** ..... **D25/136; D8/403**

(58) **Field of Classification Search** ..... D8/402, D8/403, 499, 400; D25/102, 136, 55, 58, D25/121, 199; 52/287.1, 272, 273, 275; D6/491, 492, 495

See application file for complete search history.

(56) **References Cited**

**U.S. PATENT DOCUMENTS**

1,661,078	A *	2/1928	Mell	52/273
1,845,419	A *	2/1932	Kauffman	52/273
2,186,530	A *	1/1940	Jones	52/796.12
2,266,181	A *	12/1941	Epps	206/544
2,458,925	A *	1/1949	Barger	52/272
2,825,942	A *	3/1958	Potvin	52/287.1
3,200,547	A *	8/1965	Johnson	52/287.1
4,012,878	A *	3/1977	Ellingson	52/288.1
D253,506	S *	11/1979	Vigue	D8/403
4,198,455	A *	4/1980	Spiro et al.	428/126
4,240,225	A *	12/1980	Sartain	49/462
D282,425	S *	2/1986	Hager	D6/491
4,768,320	A *	9/1988	Weller	52/211
5,026,588	A *	6/1991	Diekmann	428/100
D336,033	S *	6/1993	Welsh	D8/403
D388,884	S *	1/1998	Karnoski	D25/102
D412,436	S *	8/1999	Tsui	D8/403
D415,412	S *	10/1999	Chavers	D8/403
D422,201	S *	4/2000	Jarnagin et al.	D8/382
6,263,630	B1 *	7/2001	Bennett	52/312
6,309,036	B1 *	10/2001	Ancel	312/140.4
D462,259	S *	9/2002	Williams	D8/403
6,682,037	B1 *	1/2004	Ouellette	248/345.1
D533,448	S *	12/2006	DePaul	D8/403
D533,449	S *	12/2006	DePaul	D8/403

2005/0087663 A1\* 4/2005 Schroeder ..... 248/345.1

**OTHER PUBLICATIONS**

Grammes Catalog, 1941, p. 30, Item No. 1952: "Moulding Corner".\*

\* cited by examiner

*Primary Examiner*—Cathron C. Brooks

*Assistant Examiner*—Barbara Fox

(57) **CLAIM**

The ornamental design for a baseboard corner protector, as shown and described.

**DESCRIPTION**

FIG. 1 is a right front elevational view of the baseboard protector of the present invention covering the right corner of a strip of baseboard where a corner is formed;

FIG. 2 is a right rear elevational view of the baseboard corner protector of the present invention covering the right corner of a strip of baseboard where a right corner is formed;

FIG. 3 is a left front elevational view of the baseboard corner protector of the present invention covering the left corner of a strip of baseboard where a corner is formed;

FIG. 4 is a left rear elevational view of the baseboard corner protector of the present invention covering the left corner of a strip of baseboard where a left corner is formed;

FIG. 5 is a left, top, front perspective view of the baseboard corner protector of the present invention;

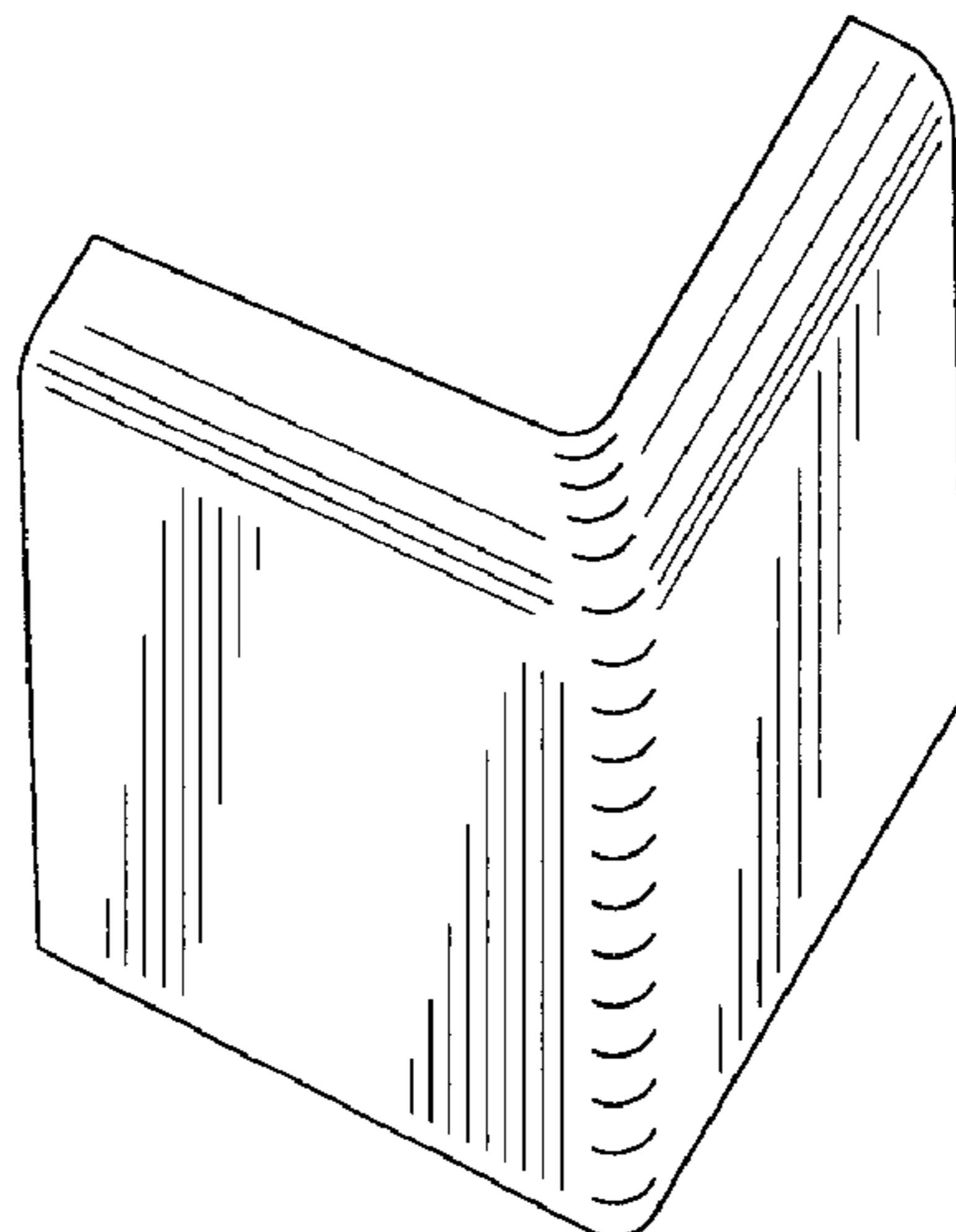
FIG. 6 is a top plan view of the baseboard corner protector of the present invention where a right corner is formed;

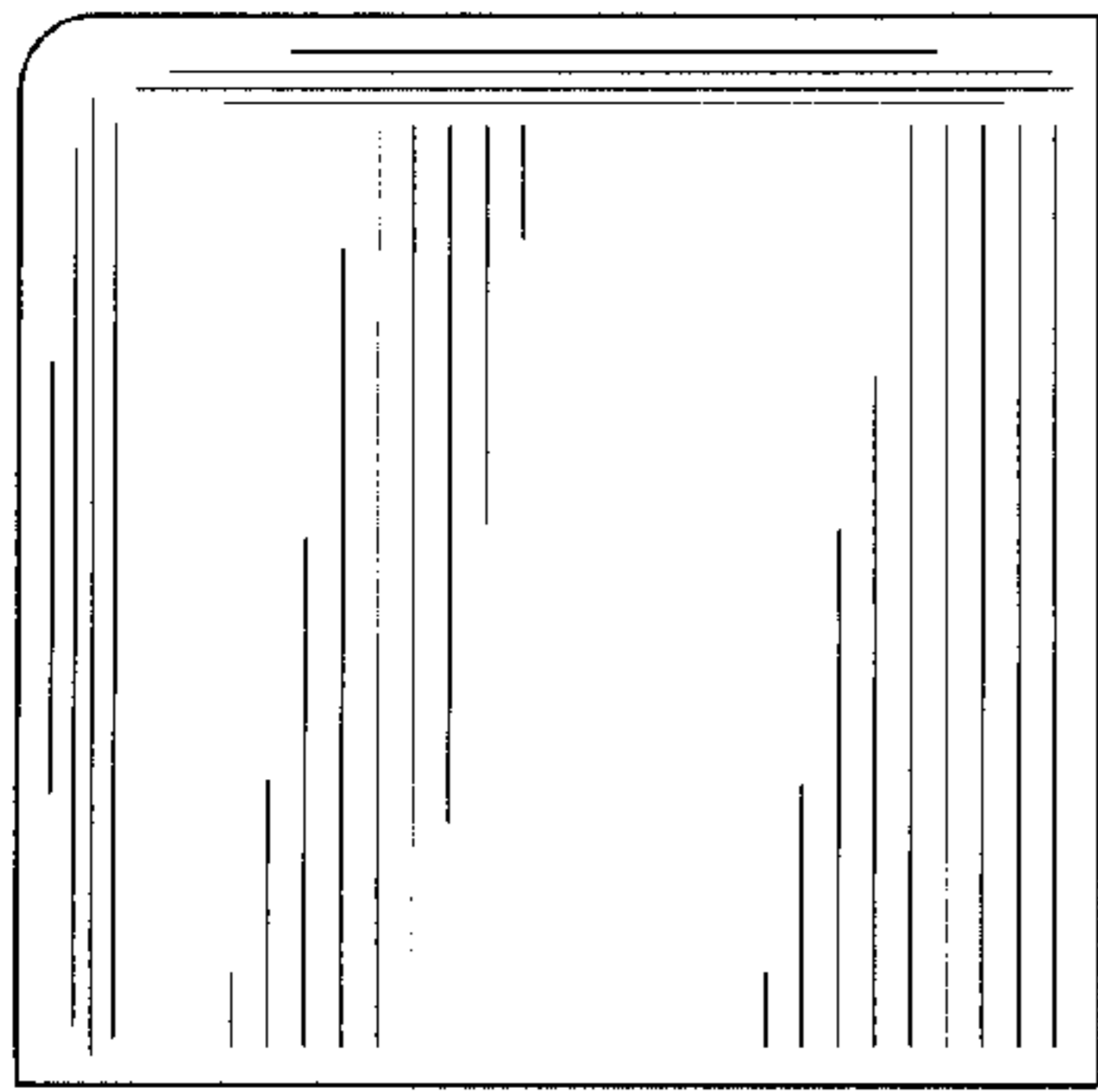
FIG. 7 is a top plan view of the baseboard corner protector of the present invention where a left corner is formed;

FIG. 8 is a bottom plan view of the baseboard corner protector of the present invention where a left corner is formed; and,

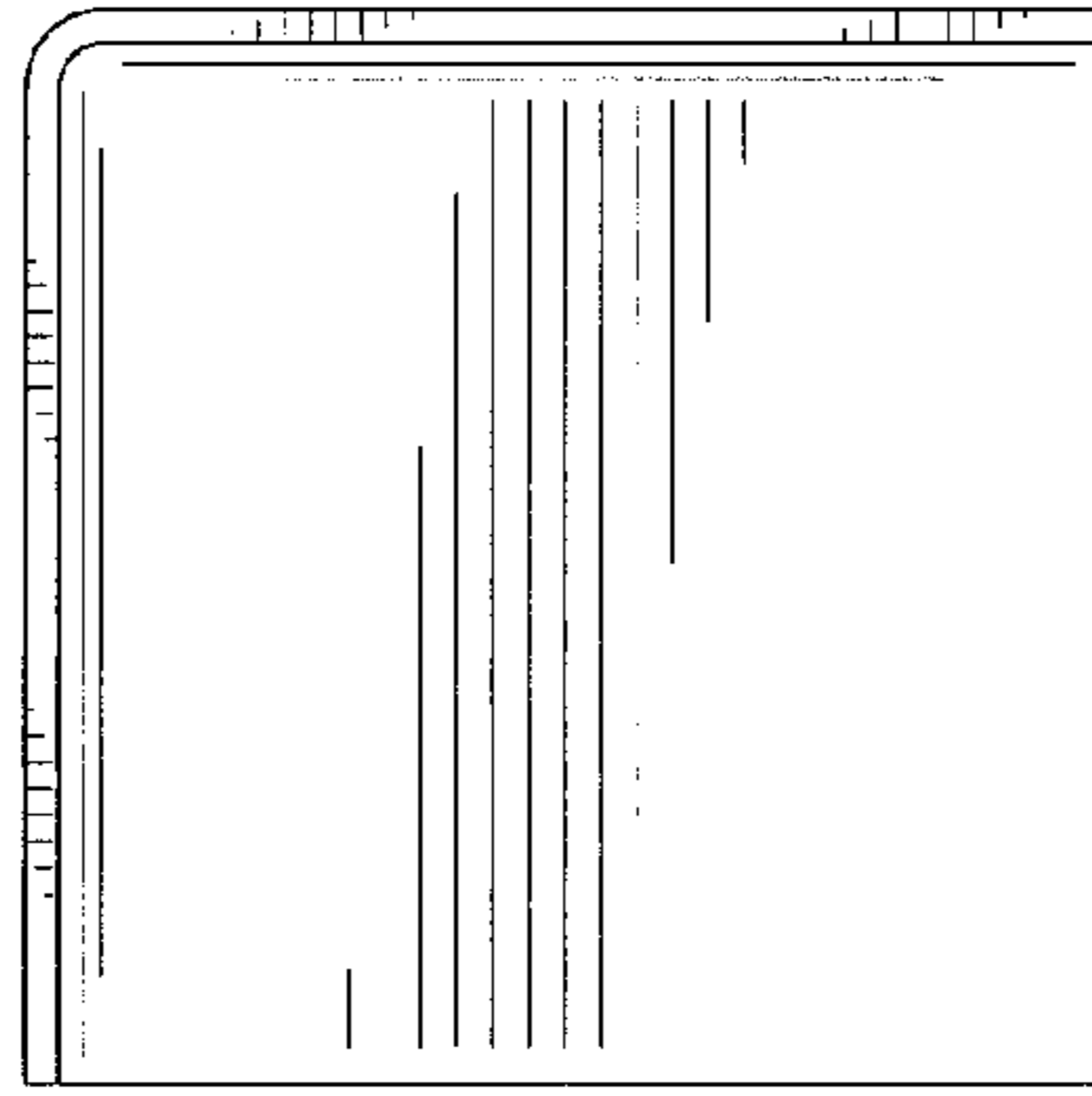
FIG. 9 is a bottom plan view of the baseboard corner protector of the present invention where a right corner is formed.

**1 Claim, 1 Drawing Sheet**

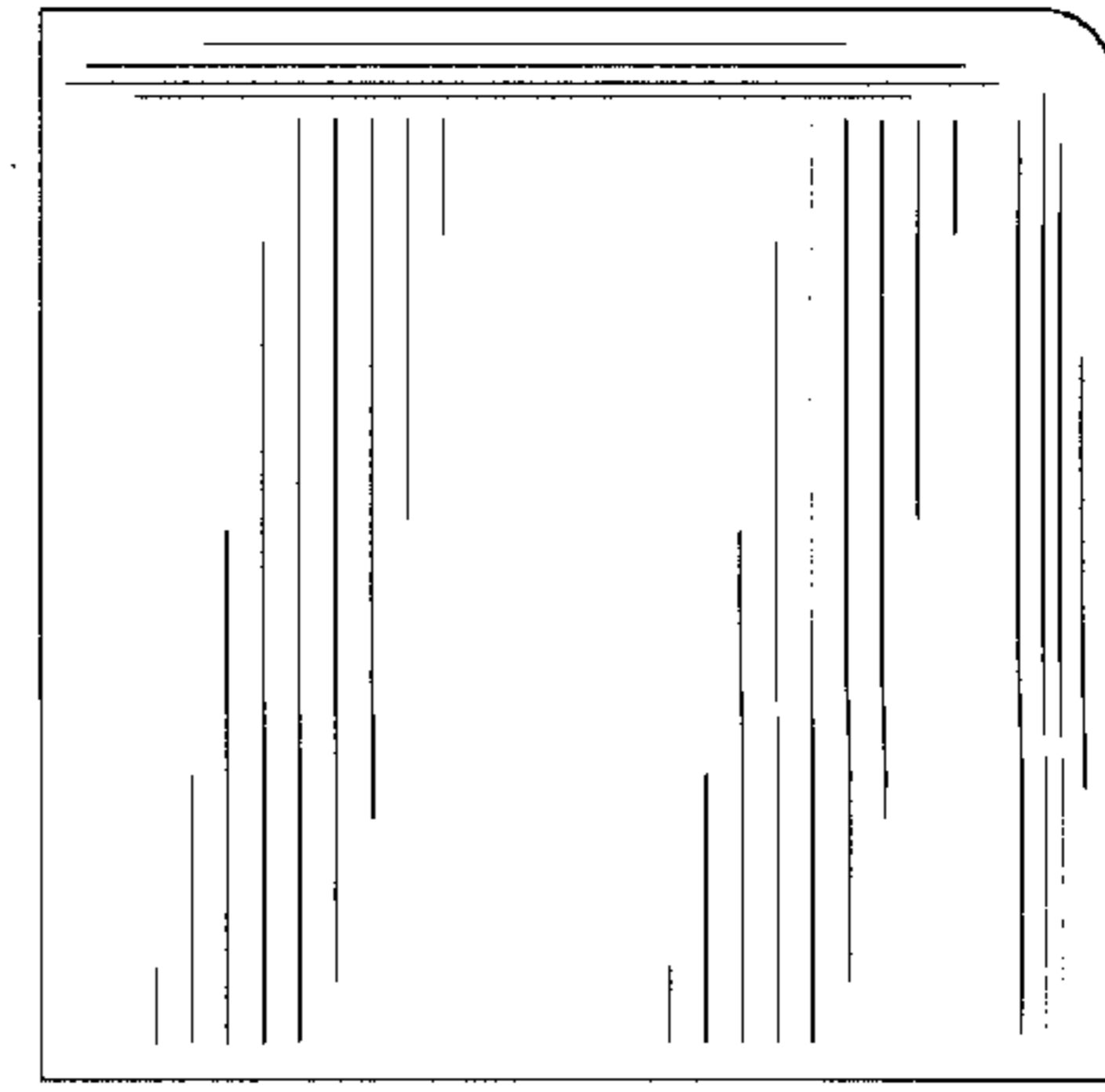




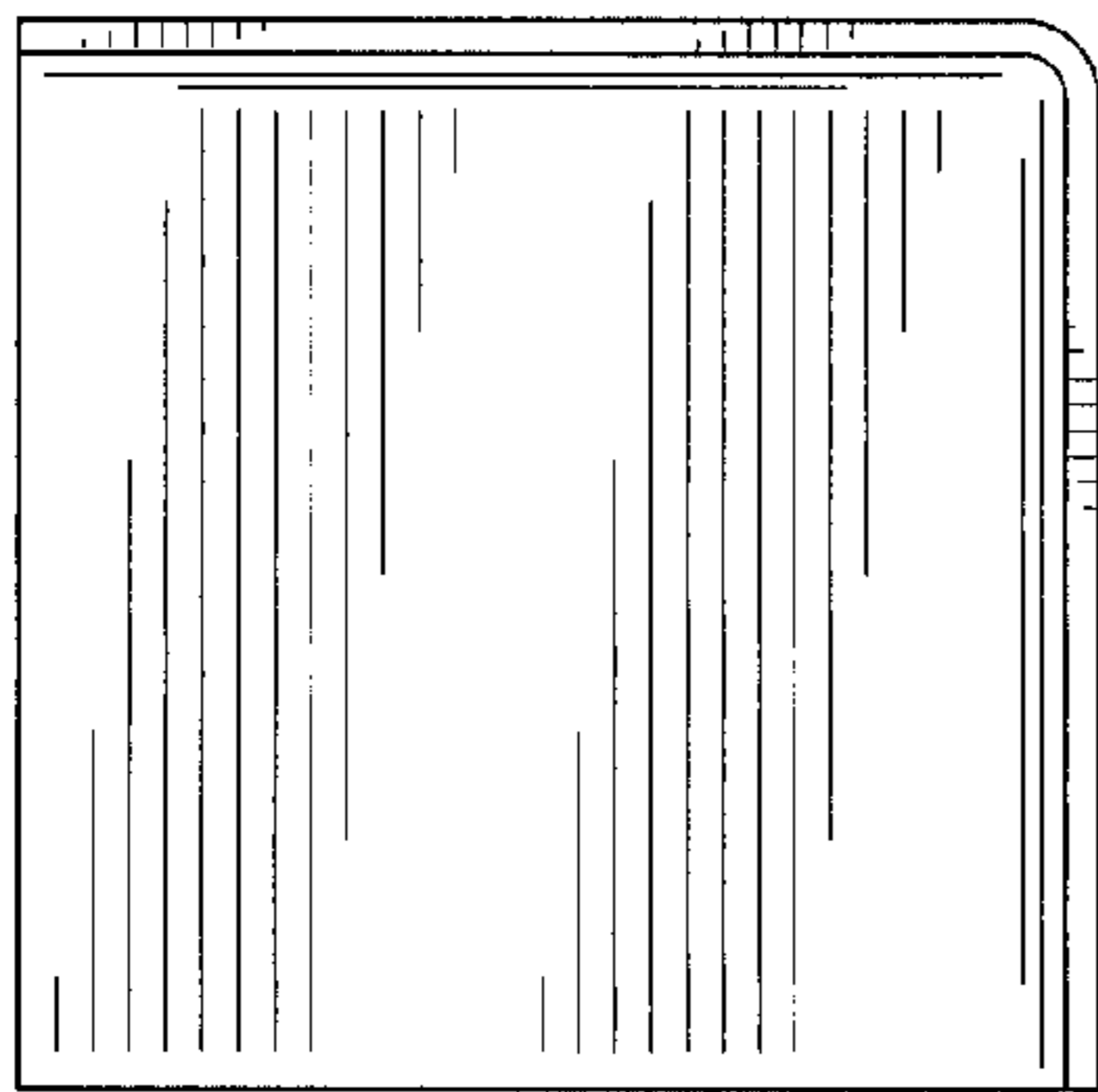
**FIG. 1**



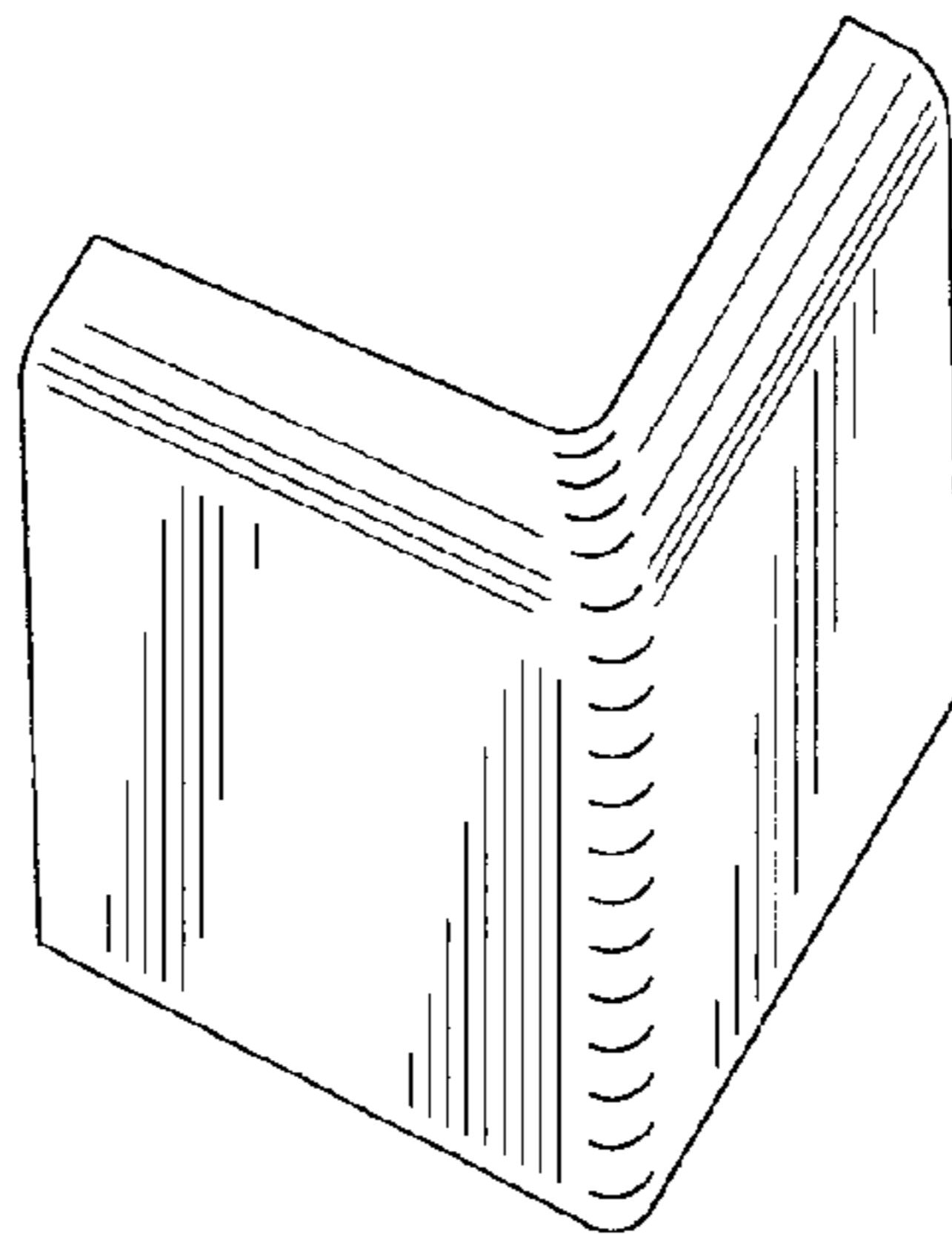
**FIG. 2**



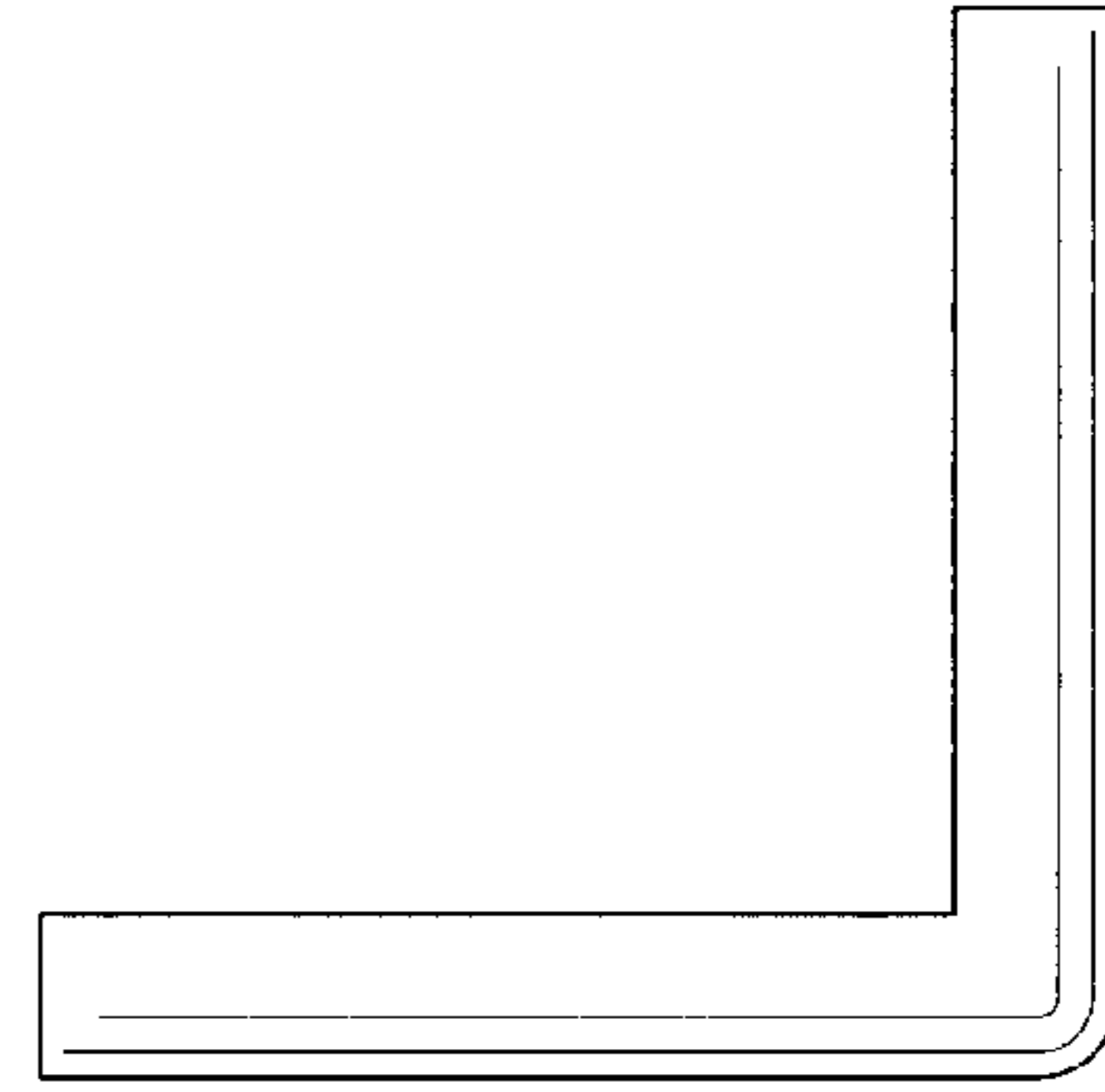
**FIG. 3**



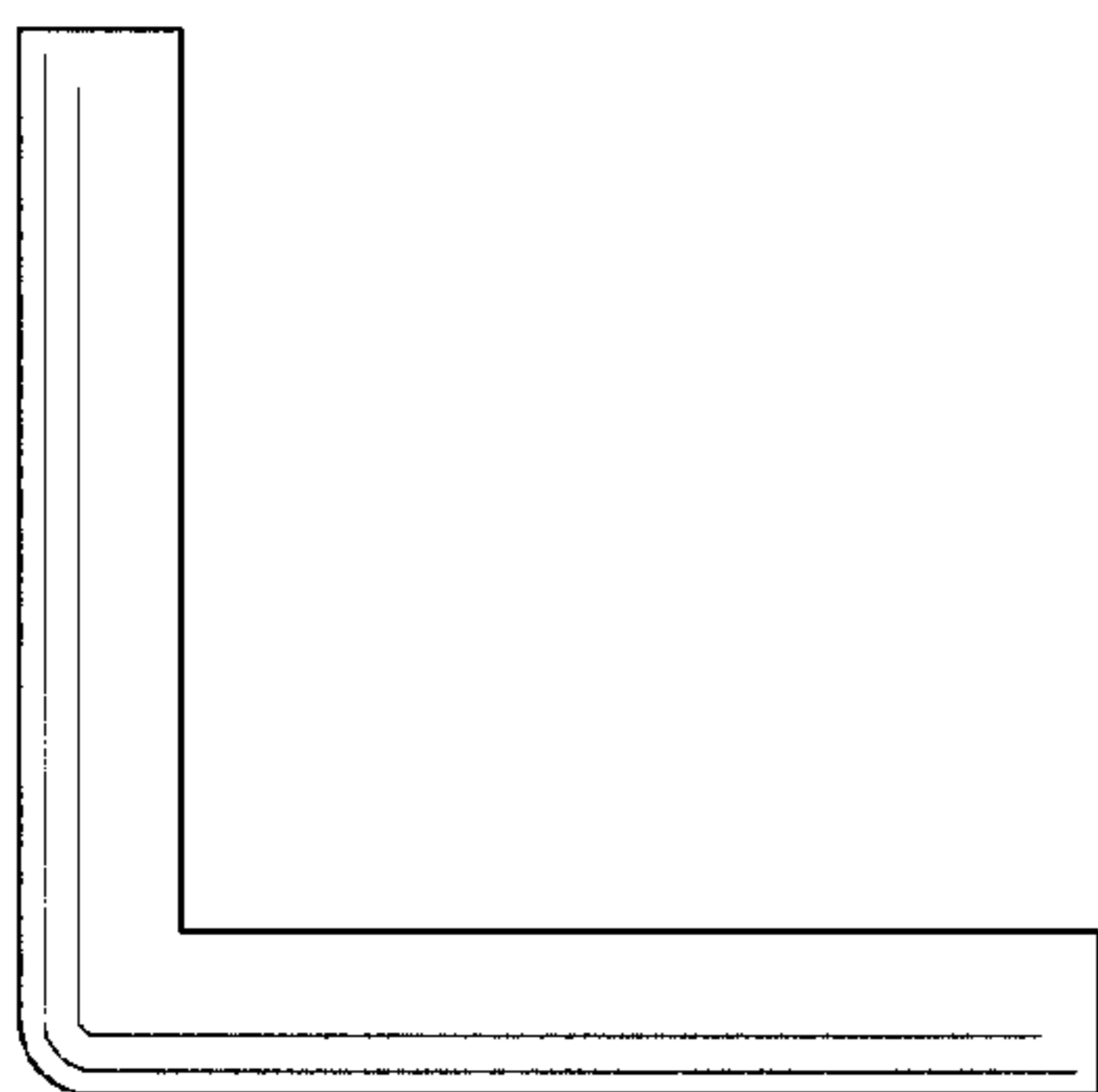
**FIG. 4**



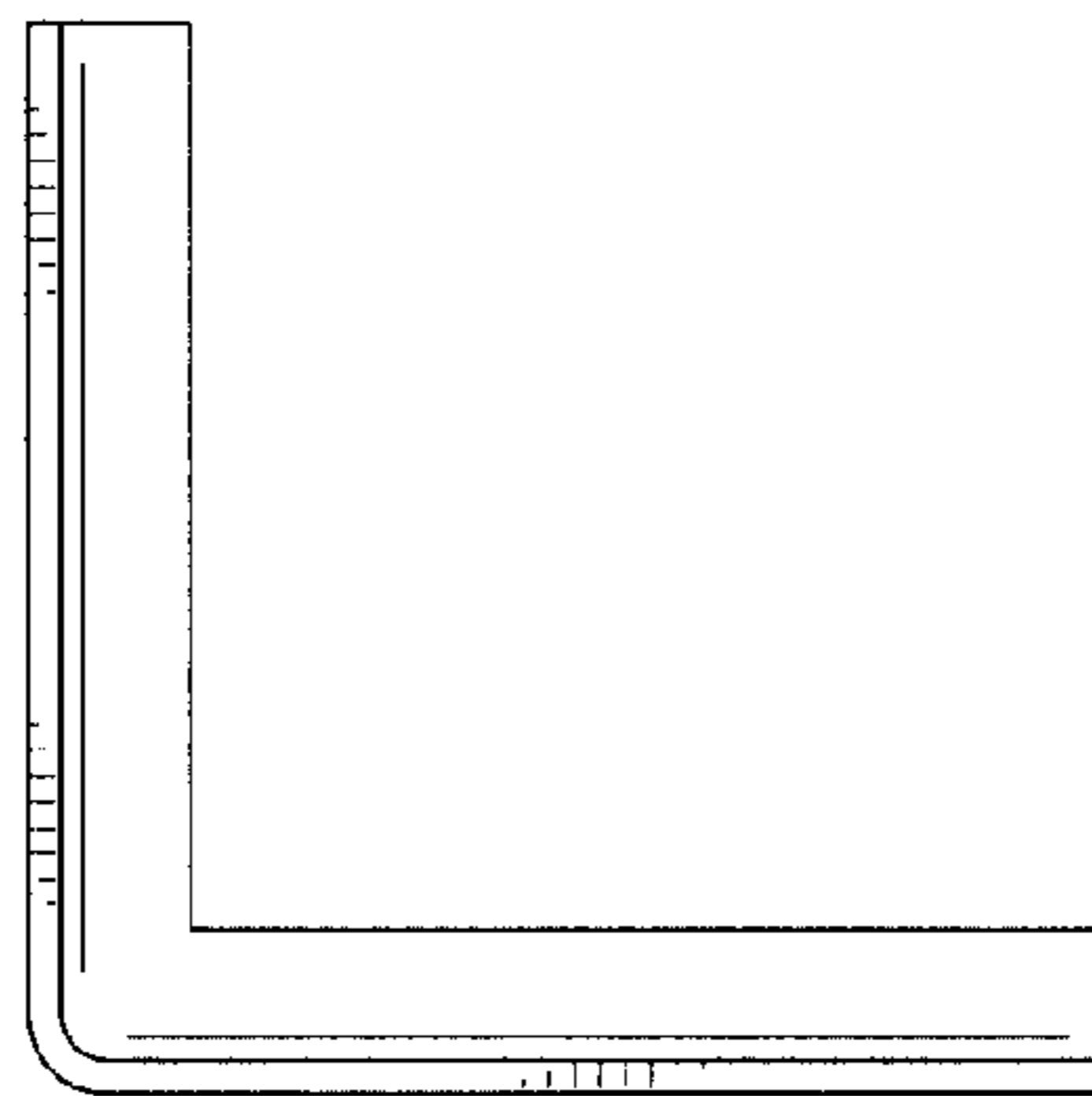
**FIG. 5**



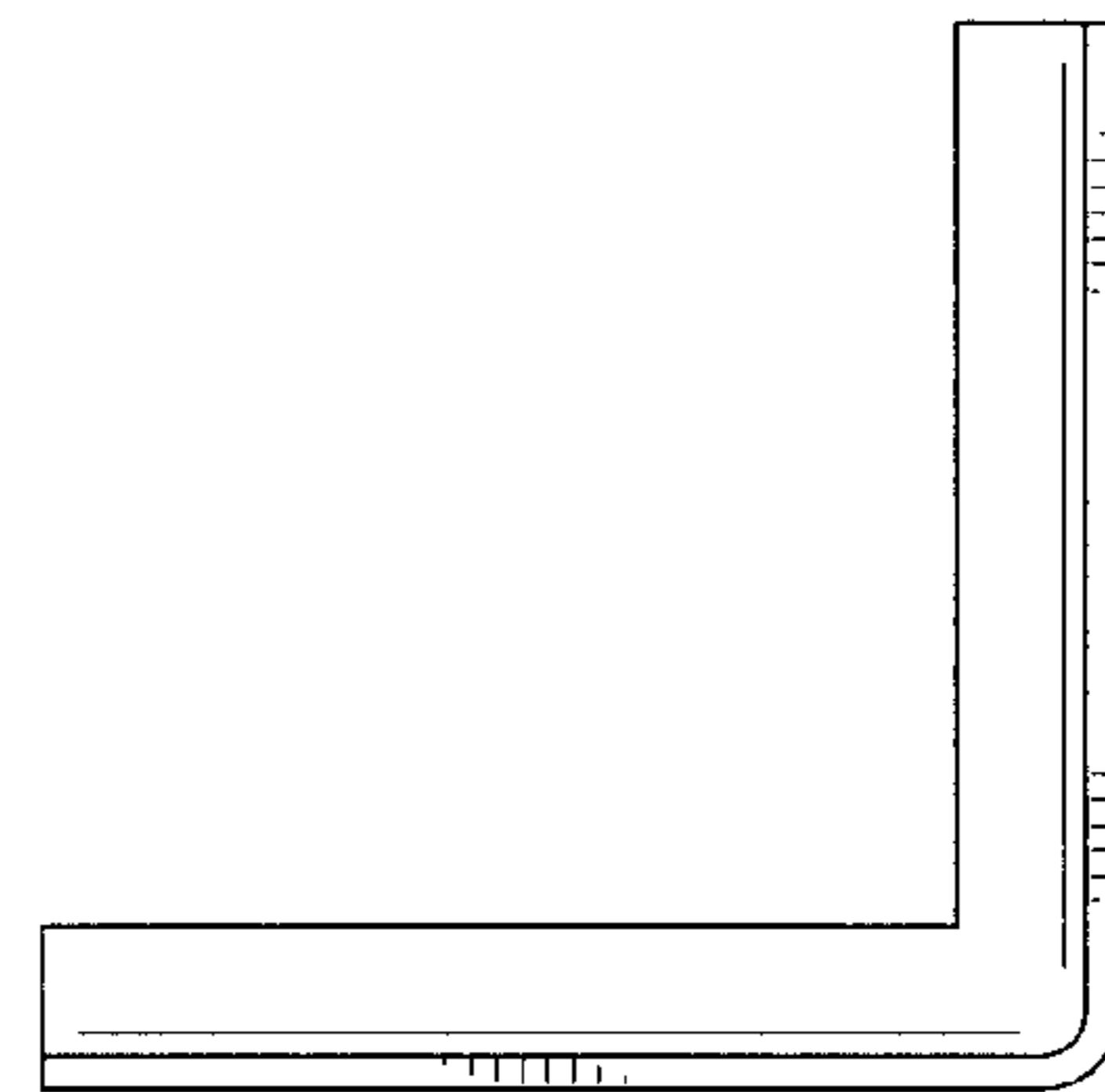
**FIG. 6**



**FIG. 7**



**FIG. 8**



**FIG. 9**