



US00D557431S

(12) **United States Design Patent** (10) **Patent No.:** **US D557,431 S**
Simko (45) **Date of Patent:** **** Dec. 11, 2007**

(54) **CONSTRUCTION MEMBER**

(57) **CLAIM**

(76) Inventor: **Peter J. Simko**, 62 Chalmers Drive,
Barrie, Ontario (CA) L4N 8A6

The ornamental design for a construction member, as shown
and described.

(**) Term: **14 Years**

DESCRIPTION

(21) Appl. No.: **29/234,423**

(22) Filed: **Jul. 19, 2005**

(51) **LOC (8) Cl.** **25-01**

(52) **U.S. Cl.** **D25/122**

(58) **Field of Classification Search** D25/122,
D25/138; 52/292, 299, 177, 181; 119/406,
119/407, 525, 529

See application file for complete search history.

FIG. 1 is a front, right perspective view of an embodiment
of my design, the front left side perspective view is a mirror
image;

FIG. 2 is a front elevation view of the embodiment of FIG.
1, the rear elevation view is the same;

FIG. 3 is a right side view of the embodiment of FIG. 1, the
left side view is a mirror image;

FIG. 4 is a top plan view of construction member of FIG. 1,
the bottom plan view is the same;

FIG. 5 is a front, right perspective view of an alternate
embodiment of my design, the front left side perspective
view is a mirror image;

FIG. 6 is a front elevation view of the alternate embodiment
of FIG. 5, the rear elevation view is the same;

FIG. 7 is a right side view of the alternate embodiment of
FIG. 5, the left side view is a mirror image; and,

FIG. 8 is a top plan view of the alternate embodiment of FIG.
5, and the bottom plan view is the same.

The construction member has been broken to indicate inde-
terminate length.

(56) **References Cited**

U.S. PATENT DOCUMENTS

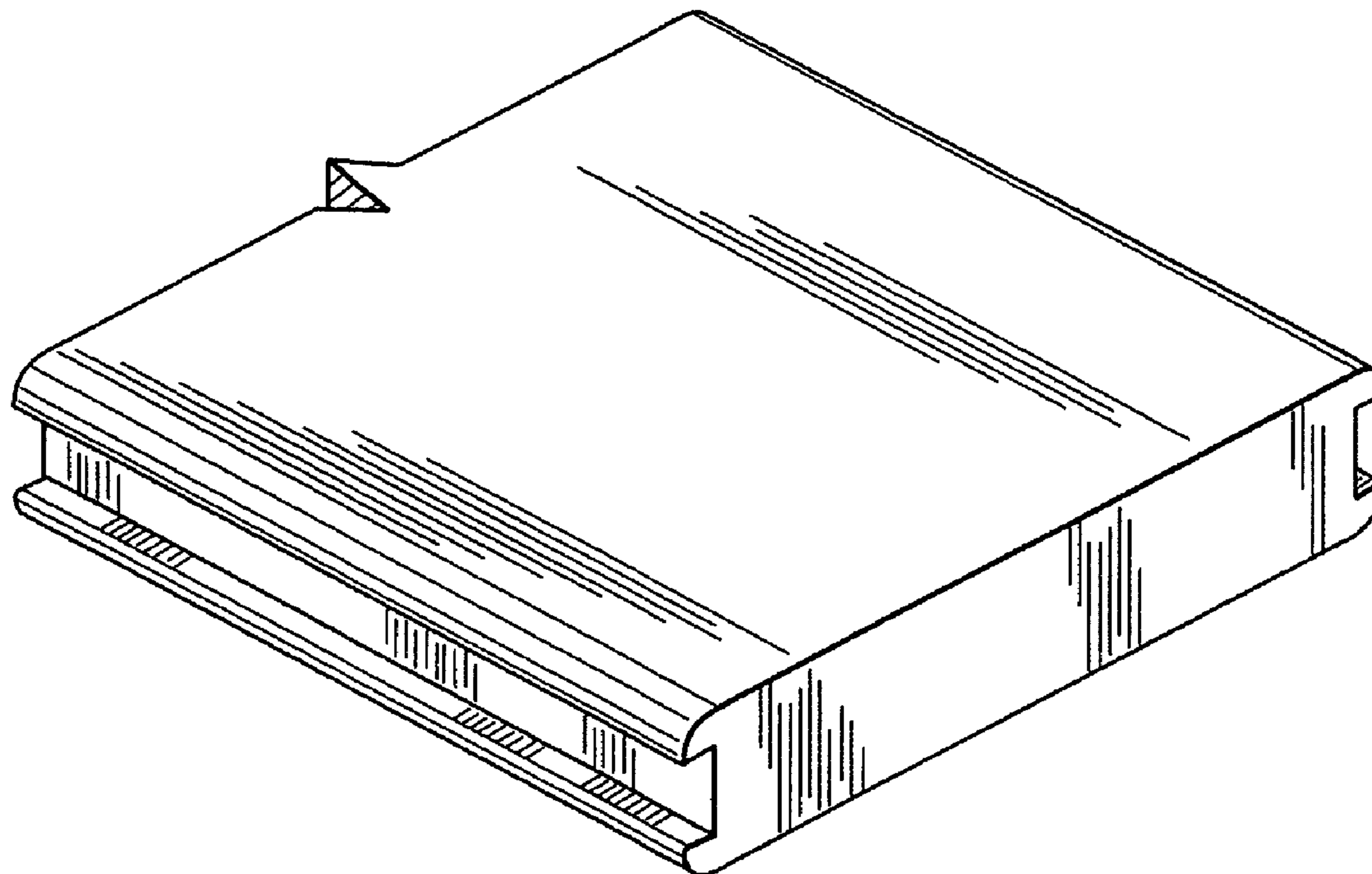
4,527,375 A	7/1985	Braginetz	
4,930,225 A	6/1990	Phillips	
D423,116 S	4/2000	Gregori	
D431,658 S	10/2000	Gregori	
D443,936 S *	6/2001	Biro	D25/122
6,324,796 B1 *	12/2001	Heath	52/177
6,637,163 B2 *	10/2003	Thibault et al.	52/177
6,694,681 B1 *	2/2004	Andres	52/177
D487,316 S *	3/2004	Suwanda et al.	D25/138

* cited by examiner

Primary Examiner—Doris Clark

(74) *Attorney, Agent, or Firm*—Dowell & Dowell, P.C.

1 Claim, 4 Drawing Sheets



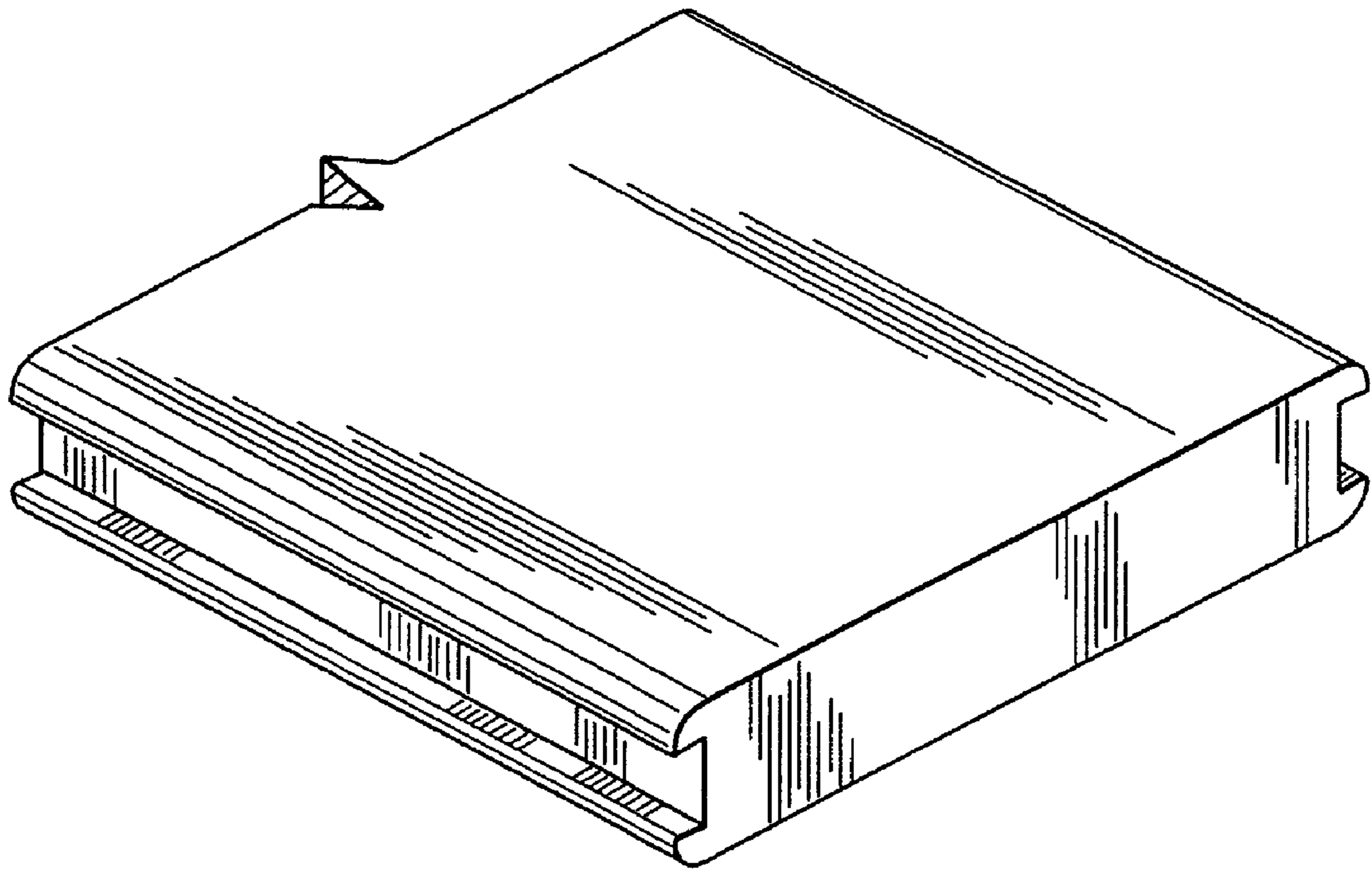


FIG. 1

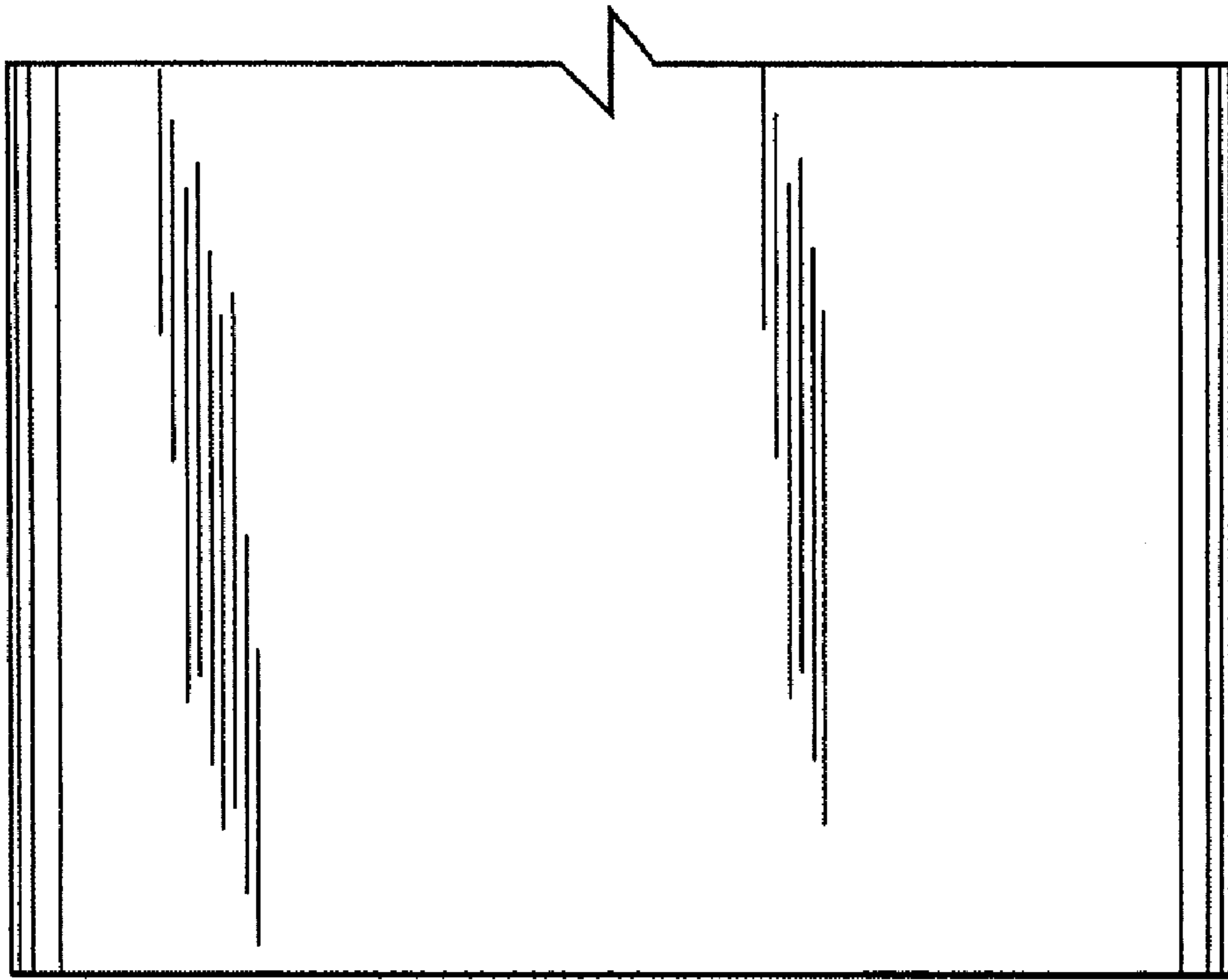


FIG. 4

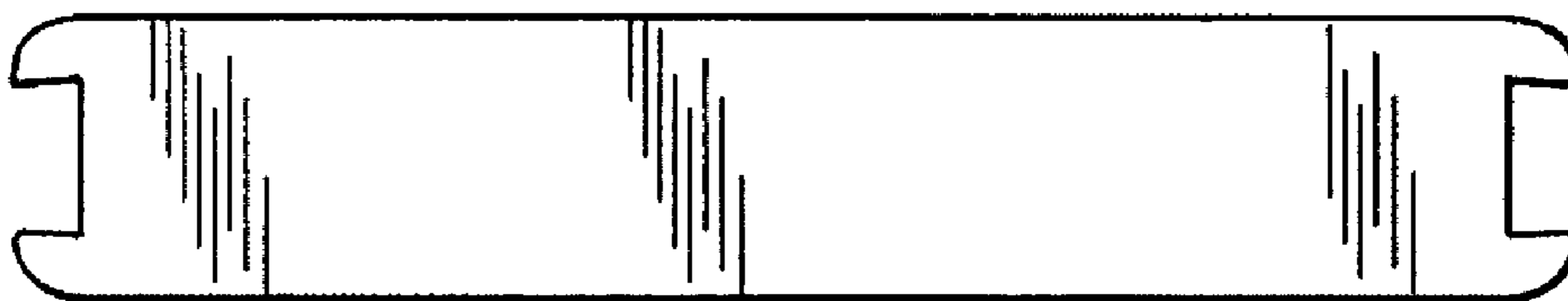


FIG. 2

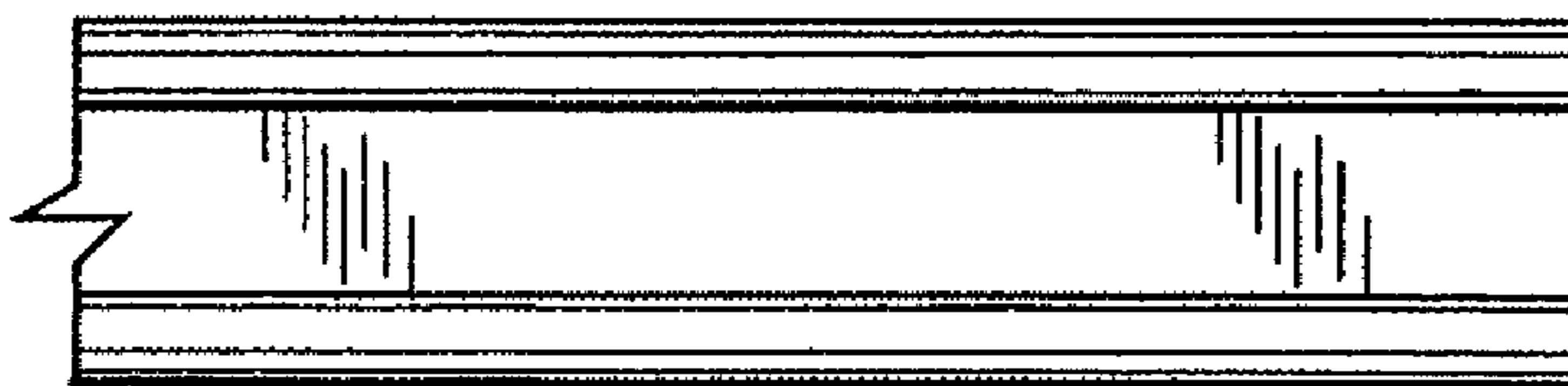


FIG. 3

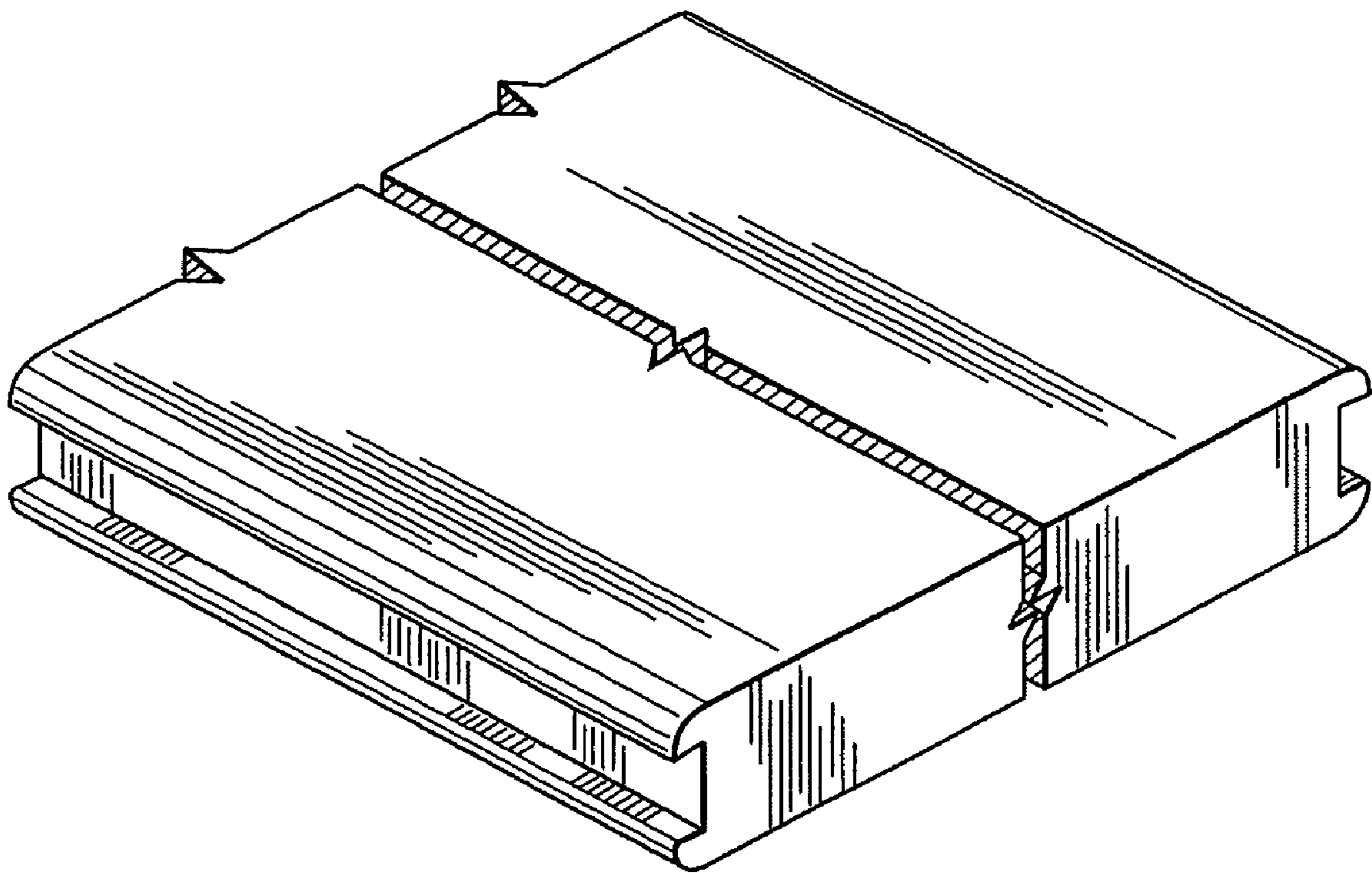


FIG. 5

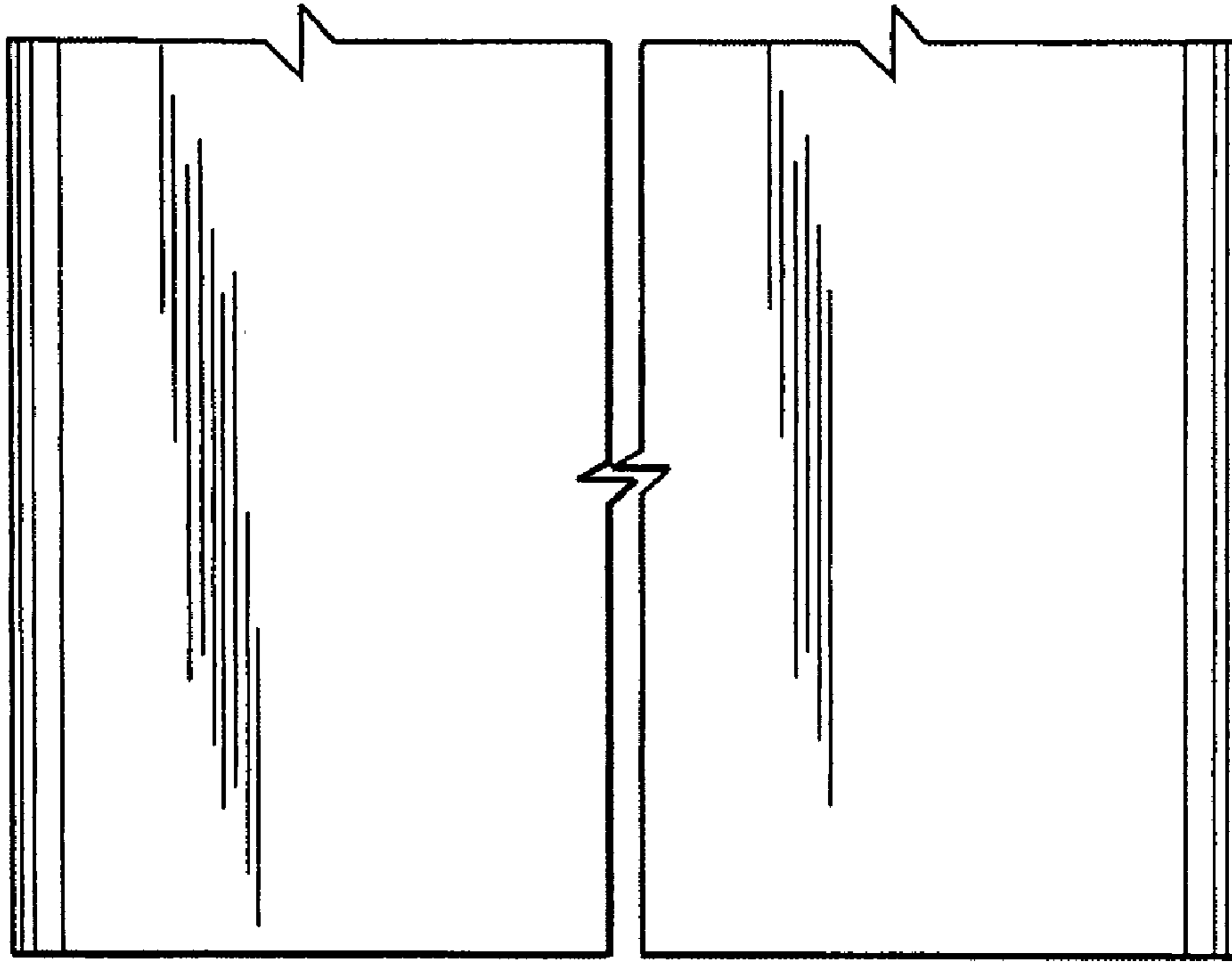


FIG. 8

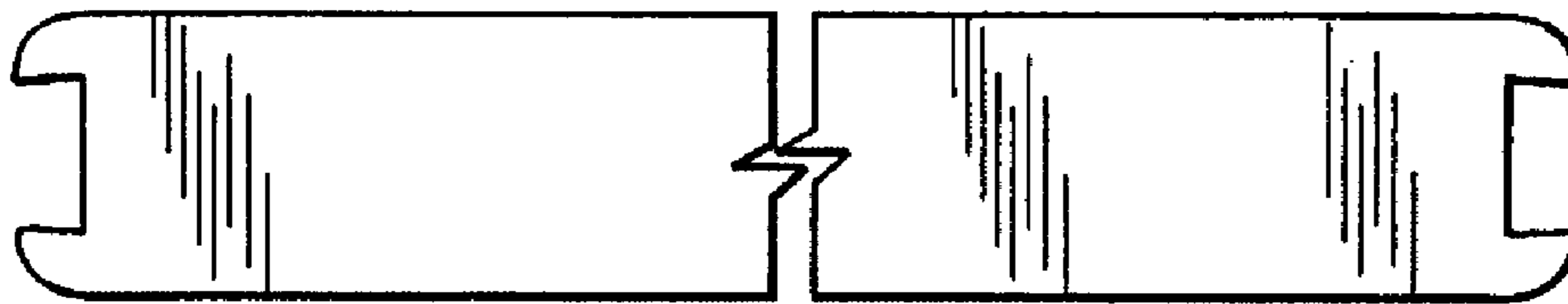


FIG. 6

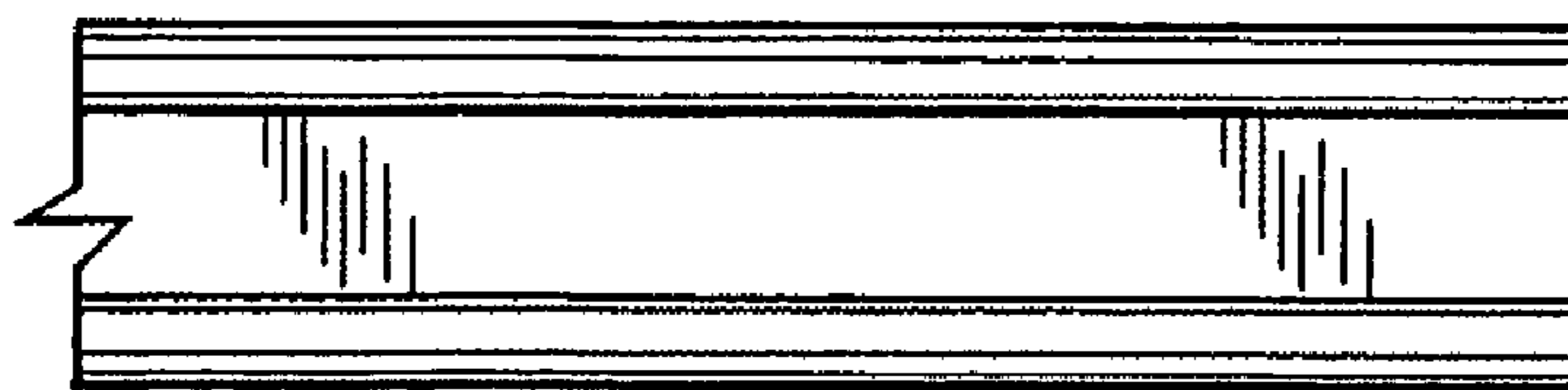


FIG. 7