



US00D557430S

(12) **United States Design Patent**
Hansen

(10) **Patent No.:** **US D557,430 S**

(45) **Date of Patent:** **** Dec. 11, 2007**

(54) **U EXTRUSION**

(75) **Inventor:** **Edward G. Hansen**, Greensboro, NC
(US)

(73) **Assignee:** **Environmental Air Systems, Inc.**,
High Point, NC (US)

(**) **Term:** **14 Years**

(21) **Appl. No.:** **29/264,698**

(22) **Filed:** **Aug. 16, 2006**

(51) **LOC (8) Cl.** **25-01**

(52) **U.S. Cl.** **D25/121**

(58) **Field of Classification Search** D25/121,
D25/136, 164; 52/716.1, 243, 716.8, 718.01,
52/718.04, 717.06, 718.05, 718.06, 318,
52/290, 579, 287.1, 311.1, 241, 311.2, 311.3,
52/314, 236.9, 481.1

See application file for complete search history.

(56) **References Cited**

U.S. PATENT DOCUMENTS

3,465,488	A *	9/1969	Miller	52/481.1
5,062,250	A	11/1991	Buzzella		
D324,575	S	3/1992	Davis		
5,950,385	A *	9/1999	Herren	52/481.1
D448,862	S *	10/2001	Kieffer	D25/121
6,588,155	B1	7/2003	Theune et al.		
6,668,500	B1	12/2003	Lamberts		
6,708,460	B1 *	3/2004	Elderson	52/481.1

D488,244	S *	4/2004	Schrader	D25/121
D489,830	S *	5/2004	Barnett	D25/119
6,871,470	B1 *	3/2005	Stover	52/648.1
D511,013	S	10/2005	Bullock, Jr. et al.		
D511,217	S	11/2005	Bullock, Jr. et al.		

OTHER PUBLICATIONS

U.S. Appl. No. 29/264,696, filed Aug. 16, 2006, Bullock.
U.S. Appl. No. 29/264,697, filed Aug. 16, 2006, Bullock, Jr.

* cited by examiner

Primary Examiner—Doris Clark

(57) **CLAIM**

The ornamental design for a U extrusion, as shown and described.

DESCRIPTION

FIG. 1 is a fragmented front, top, reduced left side perspective view of a U extrusion embodying my design;

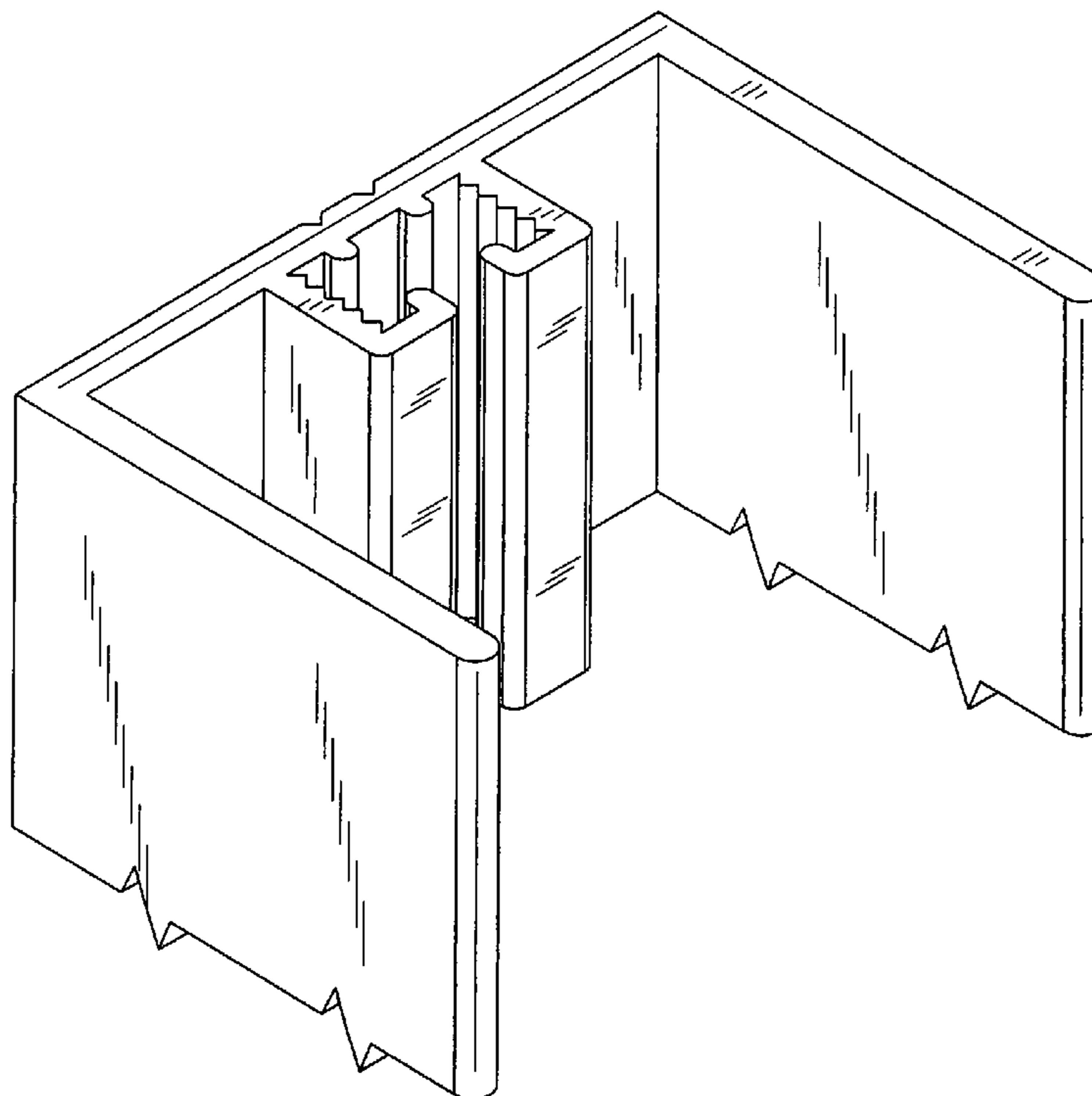
FIG. 2 is a top plan view thereof, the bottom plan view of the extrusion being a mirror image thereof;

FIG. 3 is a fragmented rear elevational view thereof;

FIG. 4 is a fragmented right side elevational view thereof, the left side elevational view being a mirror image thereof; and,

FIG. 5 is a fragmented front elevational view thereof; it being understood that the extrusion has been broken along one end as an indication of indeterminate length.

1 Claim, 5 Drawing Sheets



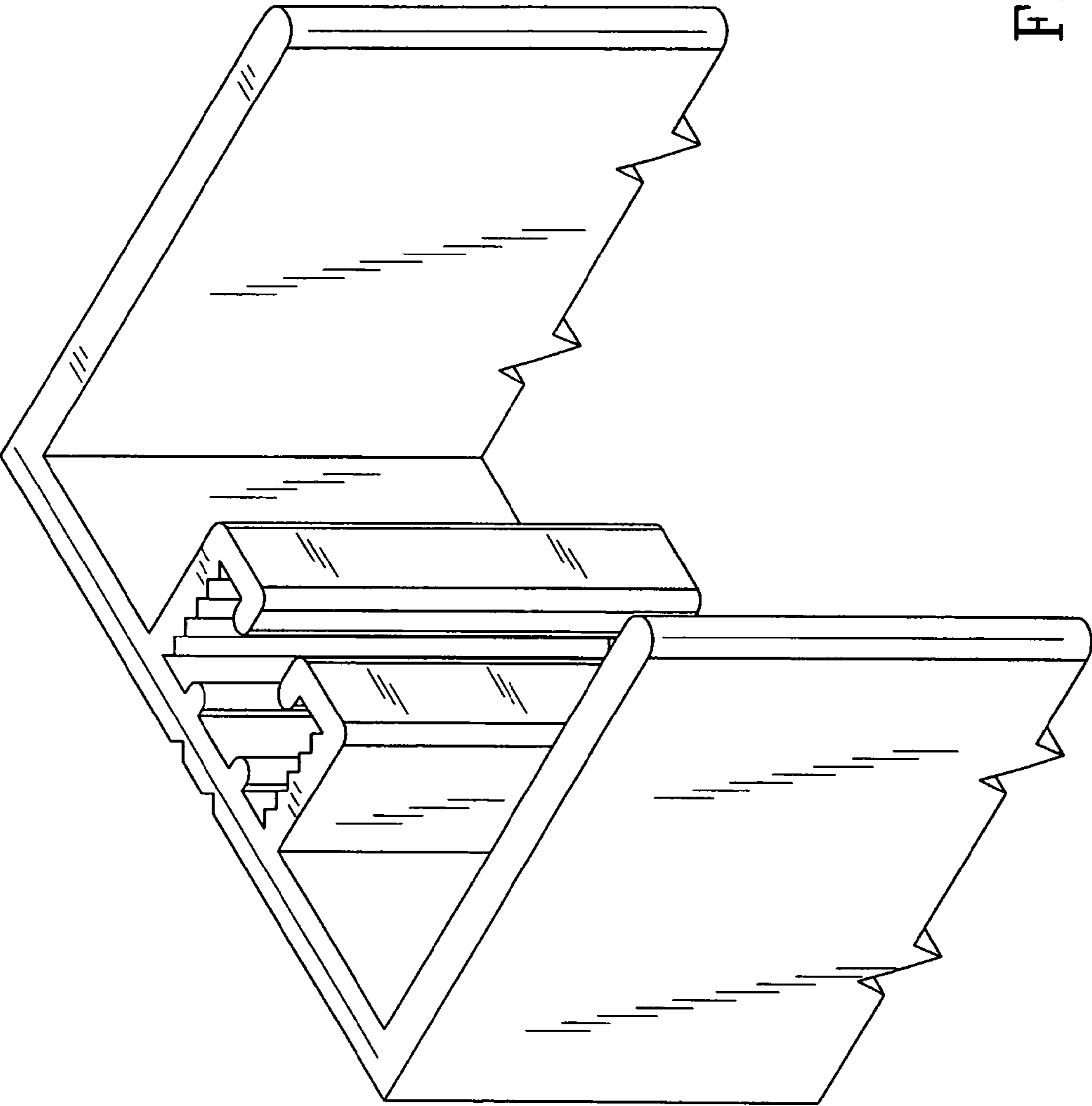


FIG. 1

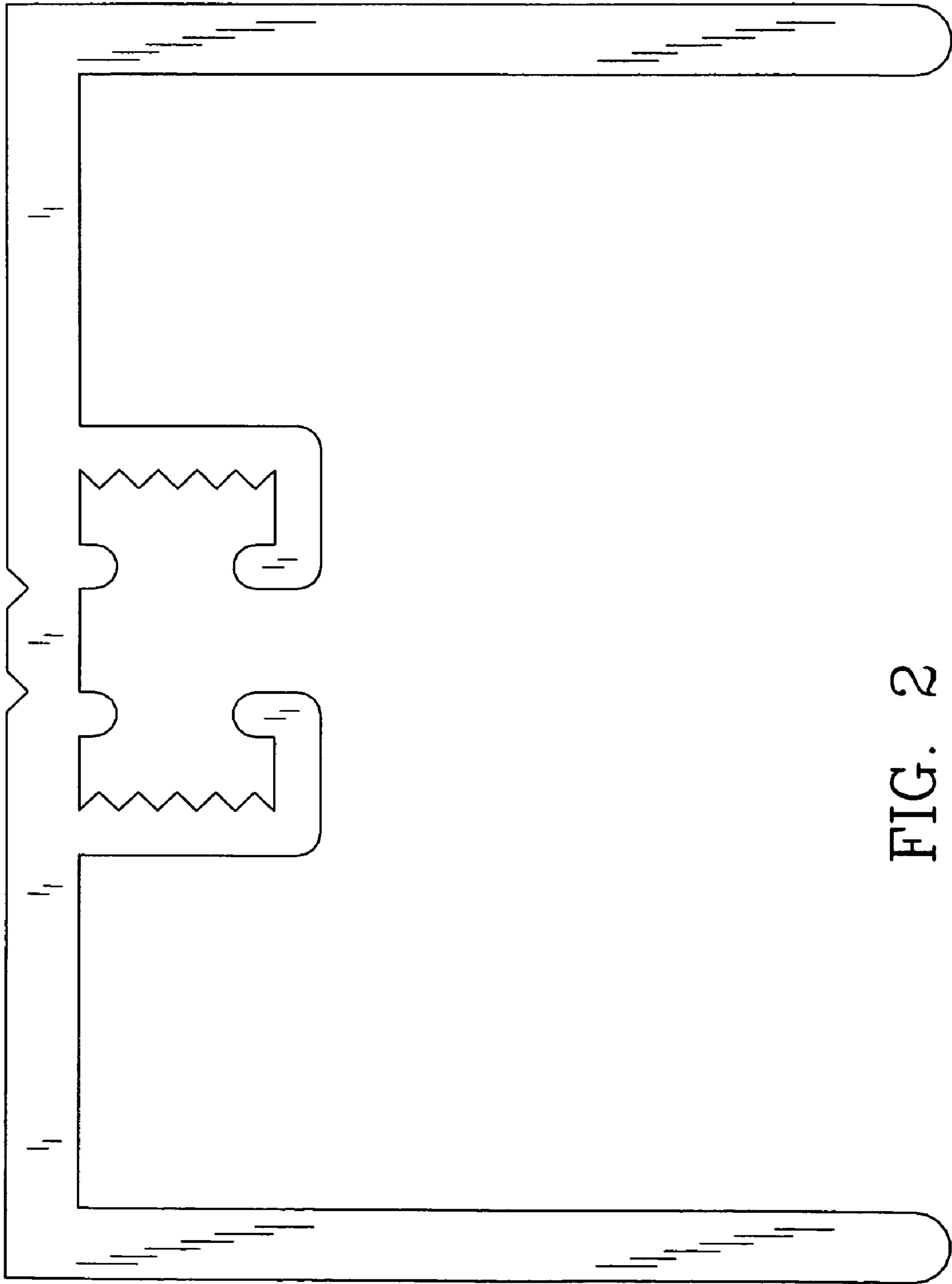


FIG. 2

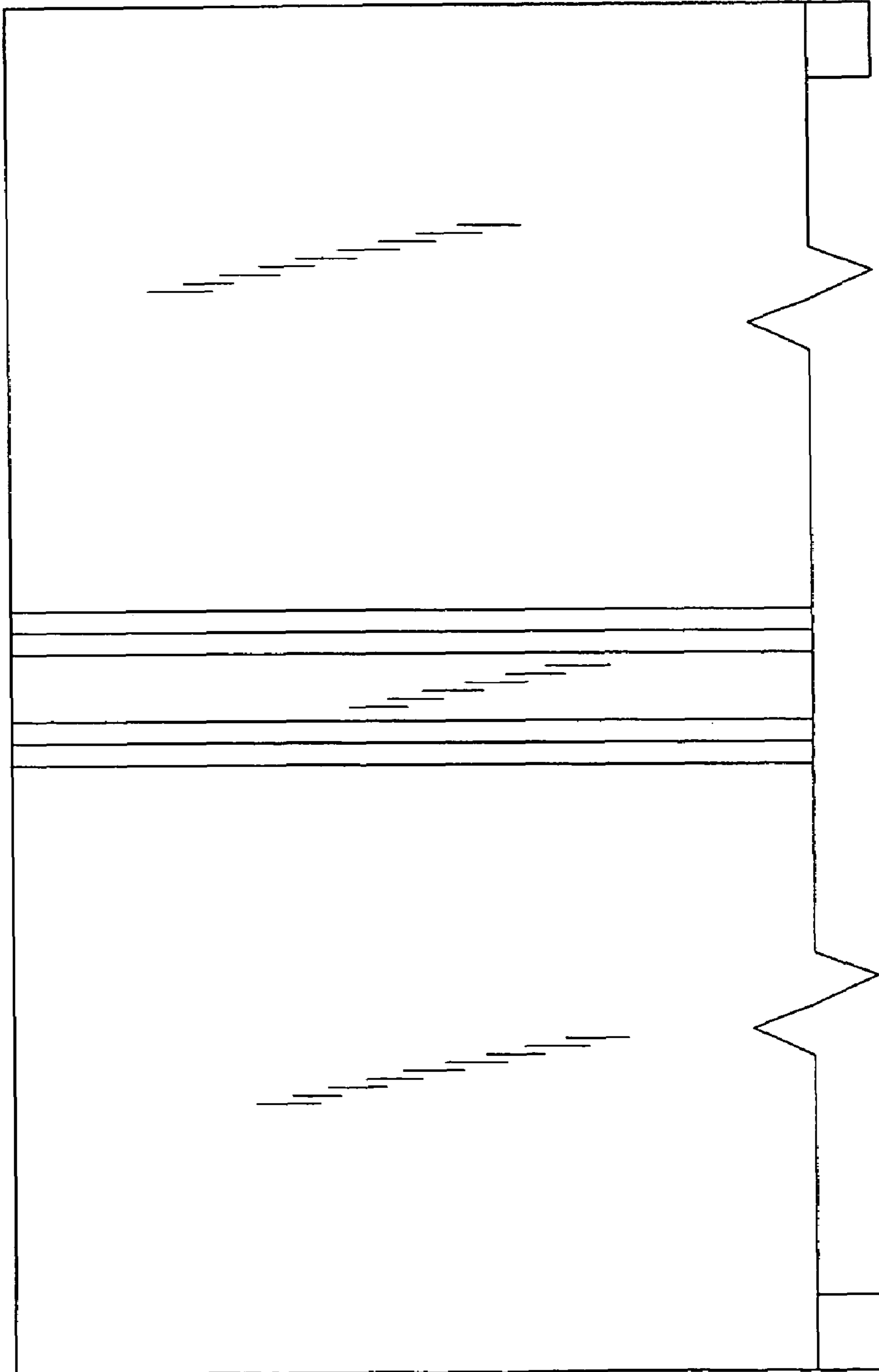


FIG. 3

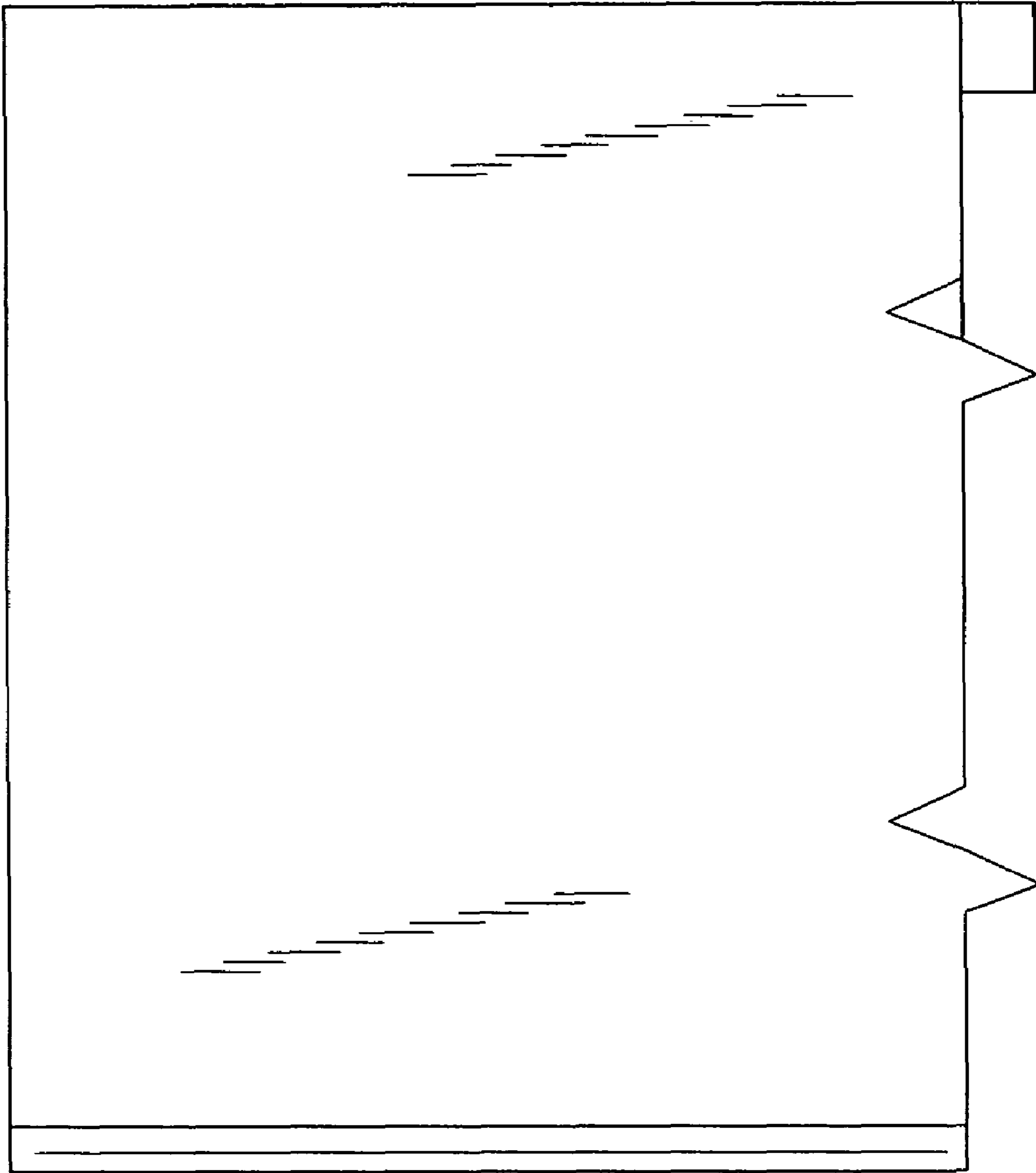


FIG. 4

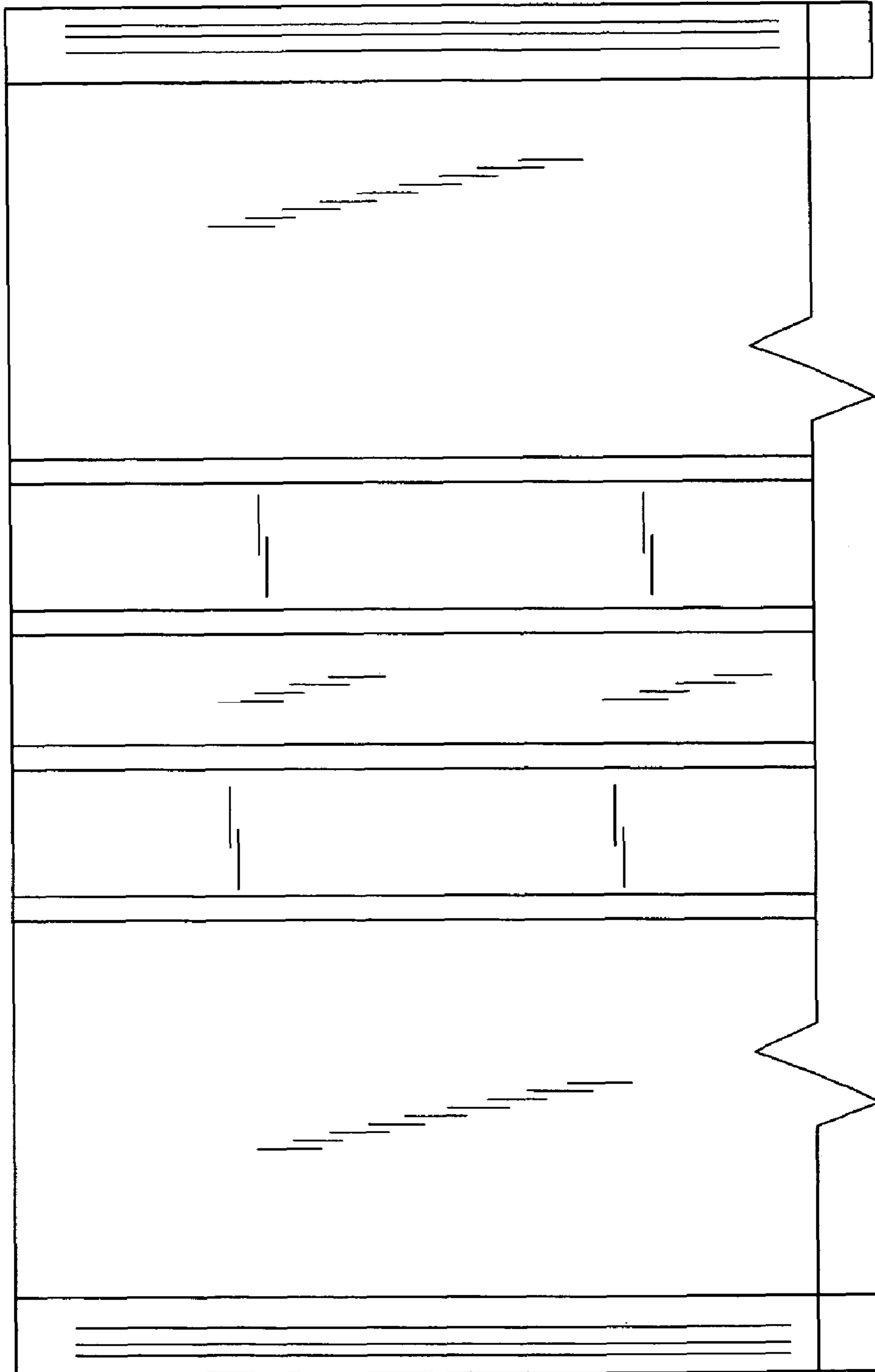


FIG. 5