



US00D557429S

(12) **United States Design Patent**
Bullock, Jr.

(10) **Patent No.:** **US D557,429 S**

(45) **Date of Patent:** **** Dec. 11, 2007**

(54) **WALL EXTRUSION**

D511,013 S 10/2005 Bullock, Jr. et al.
D511,217 S 11/2005 Bullock, Jr. et al.

(75) Inventor: **William N. Bullock, Jr.**, Greensboro,
NC (US)

OTHER PUBLICATIONS

(73) Assignee: **Environmental Air Systems, Inc.**,
High Point, NC (US)

U.S. Appl. No. 29/264,696, filed Aug. 16, 2006, Bullock.
U.S. Appl. No. 29/264,698, filed Aug. 16, 2006, Hansen.

(**) Term: **14 Years**

* cited by examiner

(21) Appl. No.: **29/264,697**

Primary Examiner—Doris Clark

(22) Filed: **Aug. 16, 2006**

(57) **CLAIM**

(51) **LOC (8) Cl.** **25-01**

The ornamental design for a wall extrusion, as shown and described.

(52) **U.S. Cl.** **D25/119**

(58) **Field of Classification Search** D25/119,
D25/136, 164; 52/716.1, 243, 716.8, 718.01,
52/718.04, 717.06, 718.05, 718.06, 318,
52/290, 579, 287.1, 311.1, 241, 311.2, 311.3,
52/314, 236.9, 481.1

DESCRIPTION

See application file for complete search history.

FIG. 1 is a fragmented front, top, left side perspective view of an extrusion embodying my design;

FIG. 2 is a top plan view thereof, the bottom plan view of the extrusion being a mirror image thereof;

FIG. 3 is a reduced fragmented rear elevational view thereof;

FIG. 4 is a reduced fragmented right side elevational view thereof;

FIG. 5 is a reduced fragmented left side elevational view thereof; and,

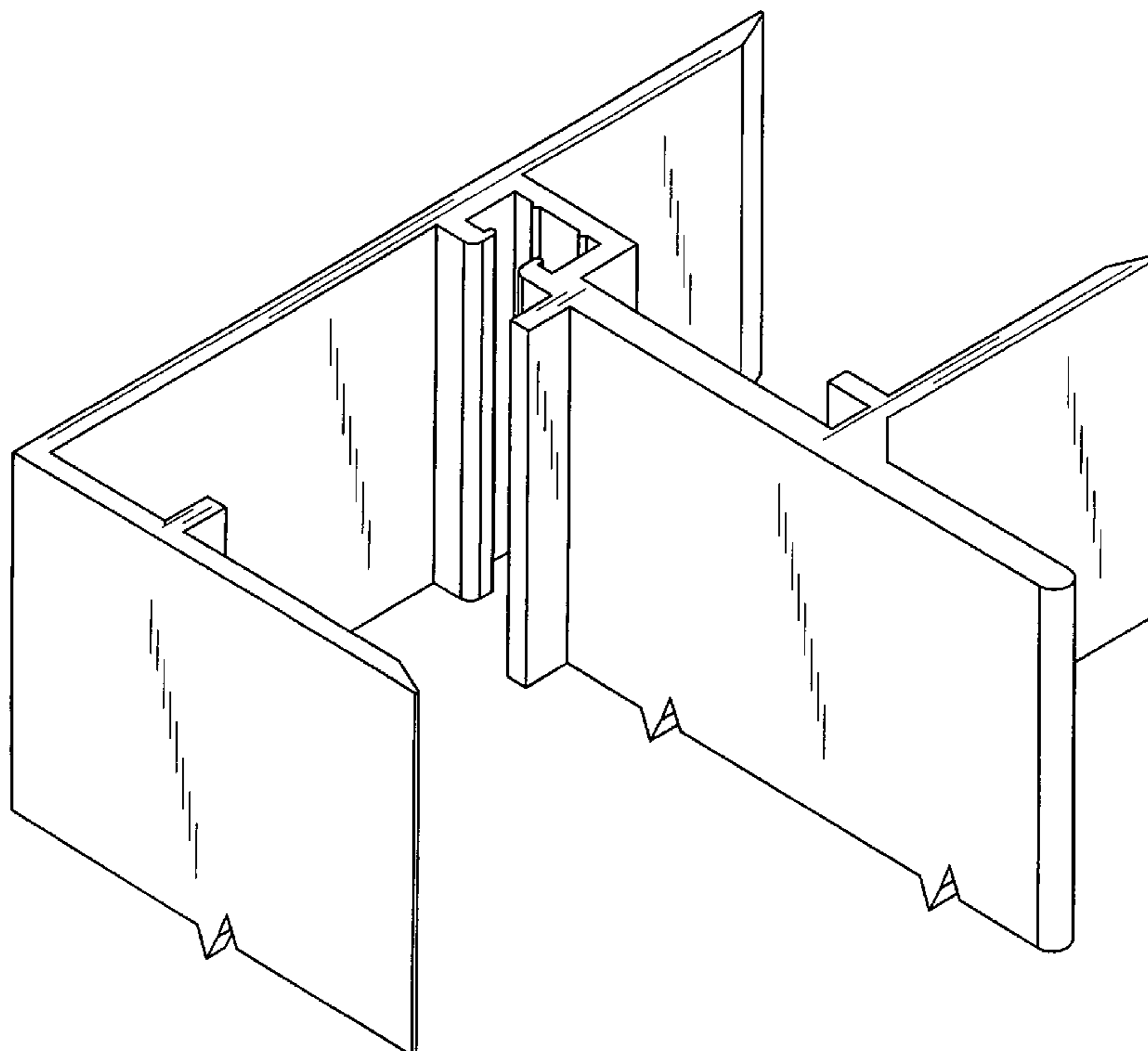
FIG. 6 is a reduced front elevational view thereof; it being understood that the extrusion has been broken along one end as an indication of indeterminate length.

(56) **References Cited**

U.S. PATENT DOCUMENTS

3,465,488	A *	9/1969	Miller	52/481.1
4,680,912	A *	7/1987	Pantalone	52/737.2
5,062,250	A	11/1991	Buzzella		
D324,575	S	3/1992	Davis		
5,950,385	A *	9/1999	Herren	52/481.1
6,588,155	B1	7/2003	Theune et al.		
6,668,500	B1	12/2003	Lamberts		
D489,830	S *	5/2004	Barnett	D25/119

1 Claim, 6 Drawing Sheets



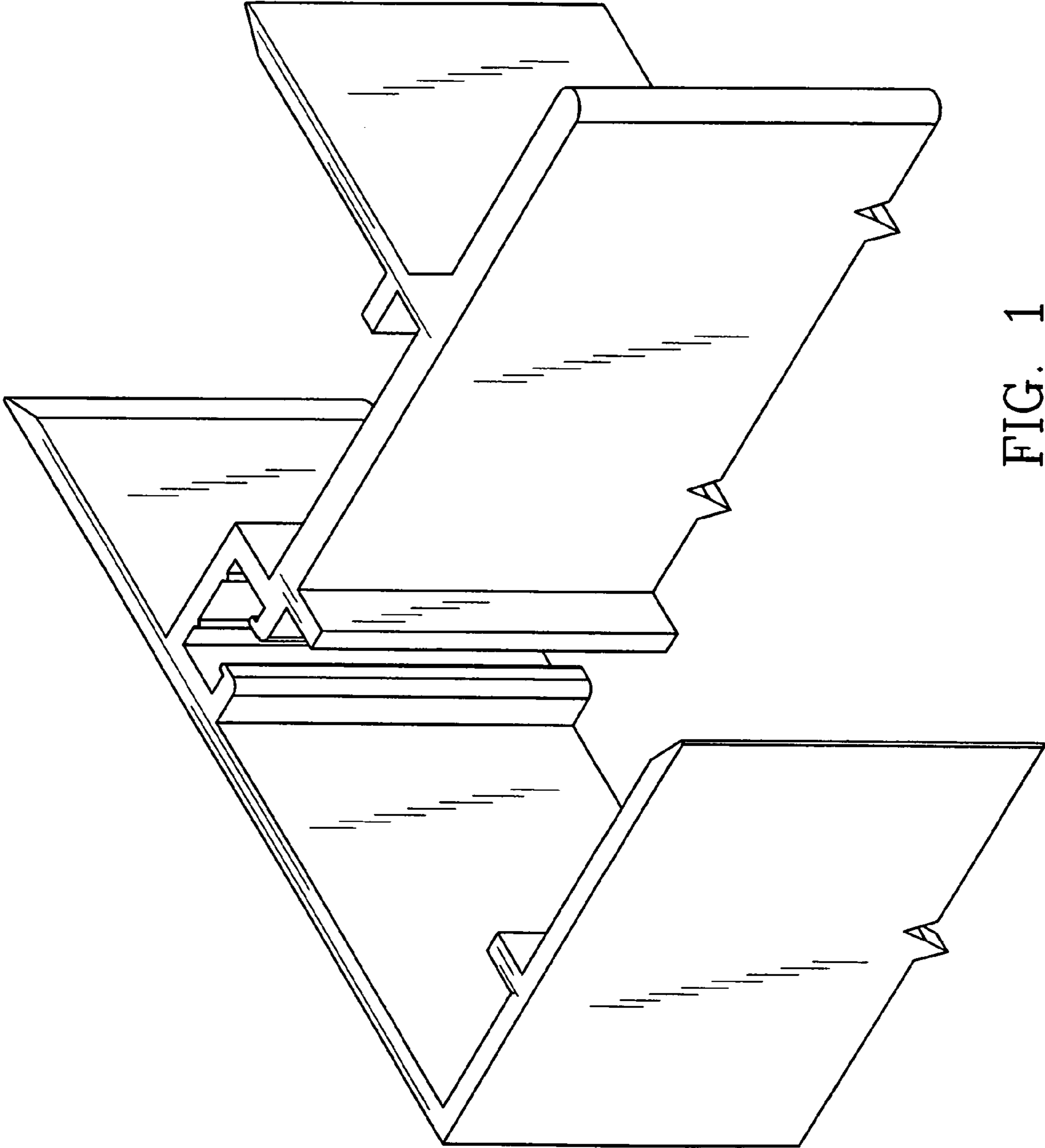


FIG. 1

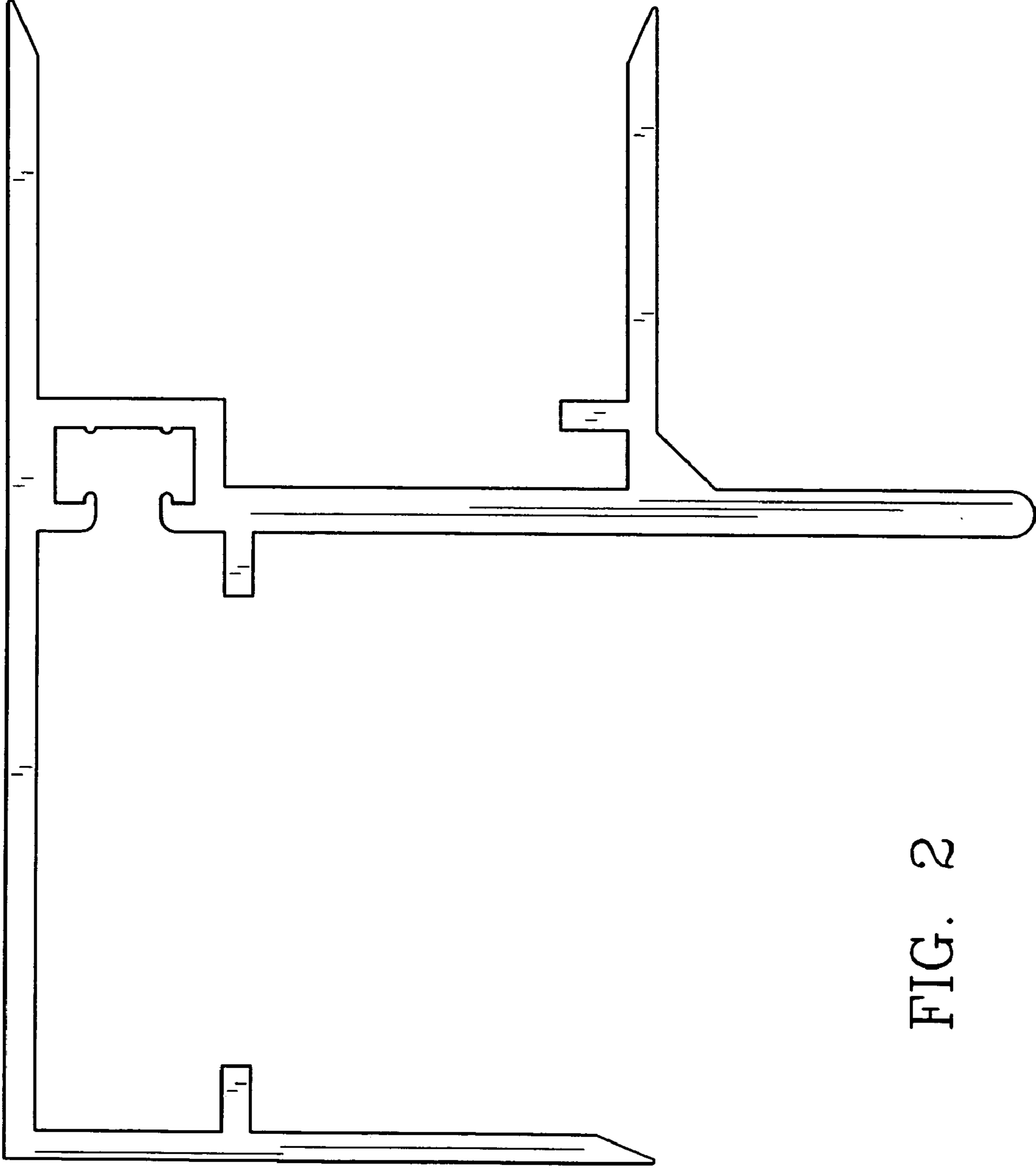


FIG. 2

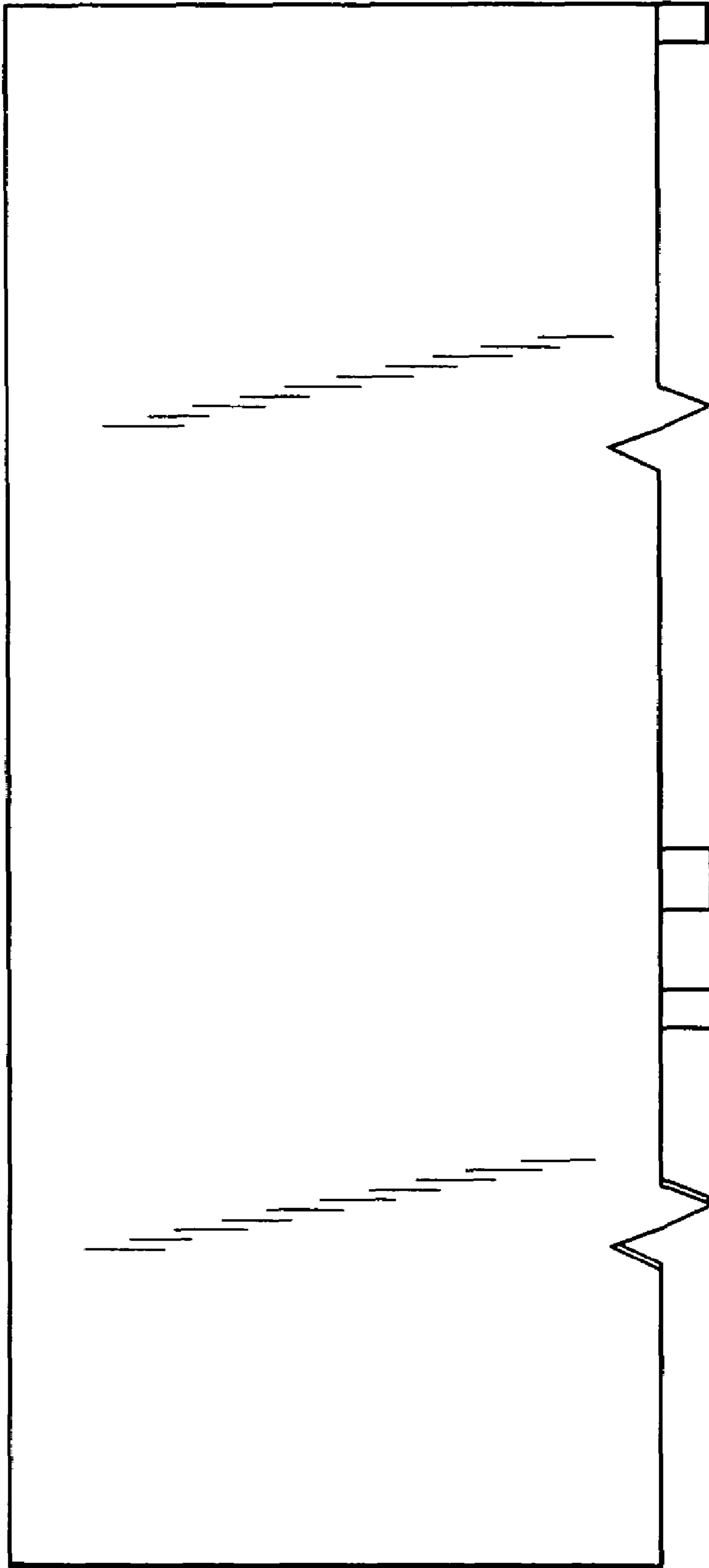


FIG. 3

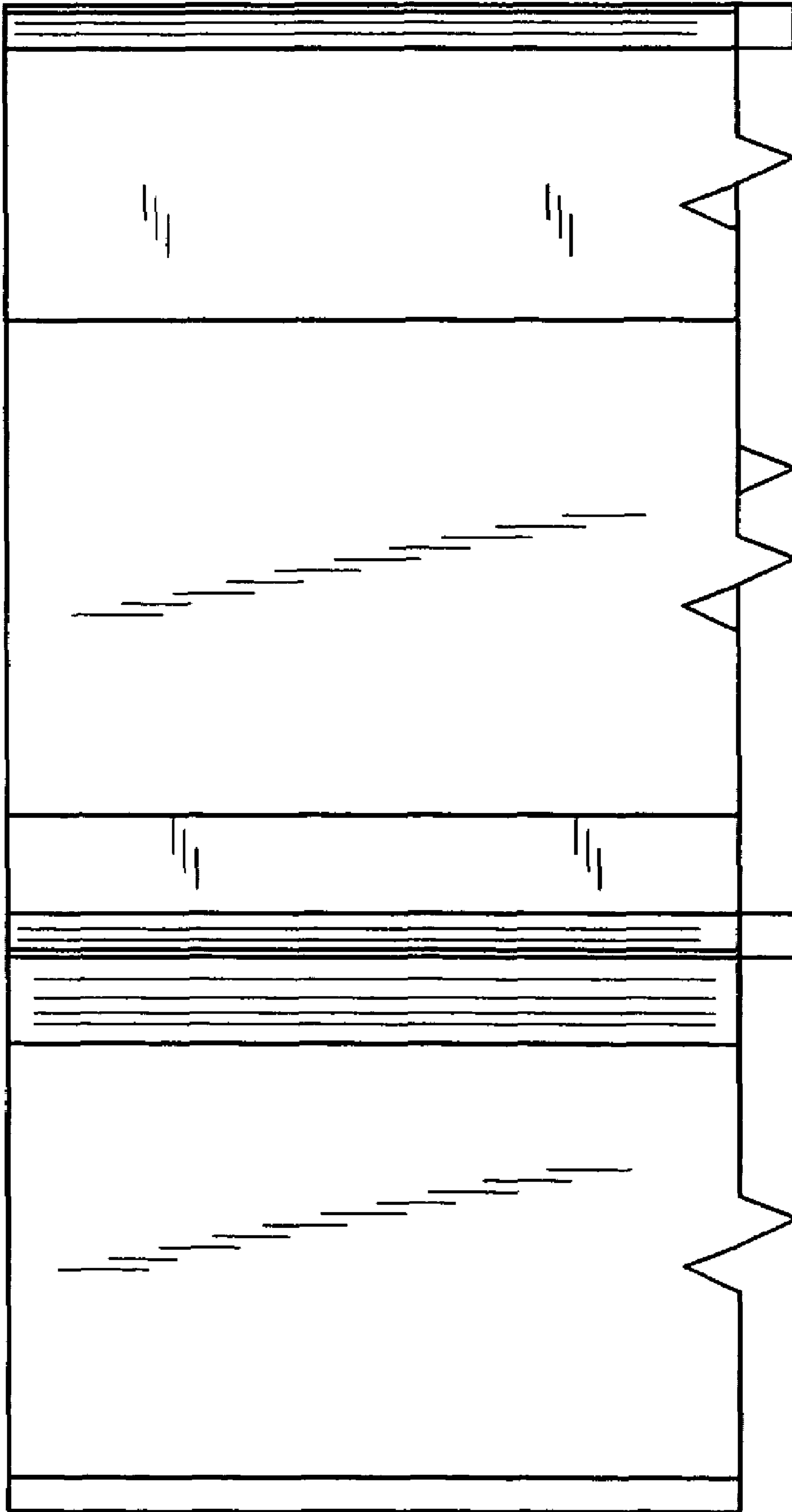


FIG. 4

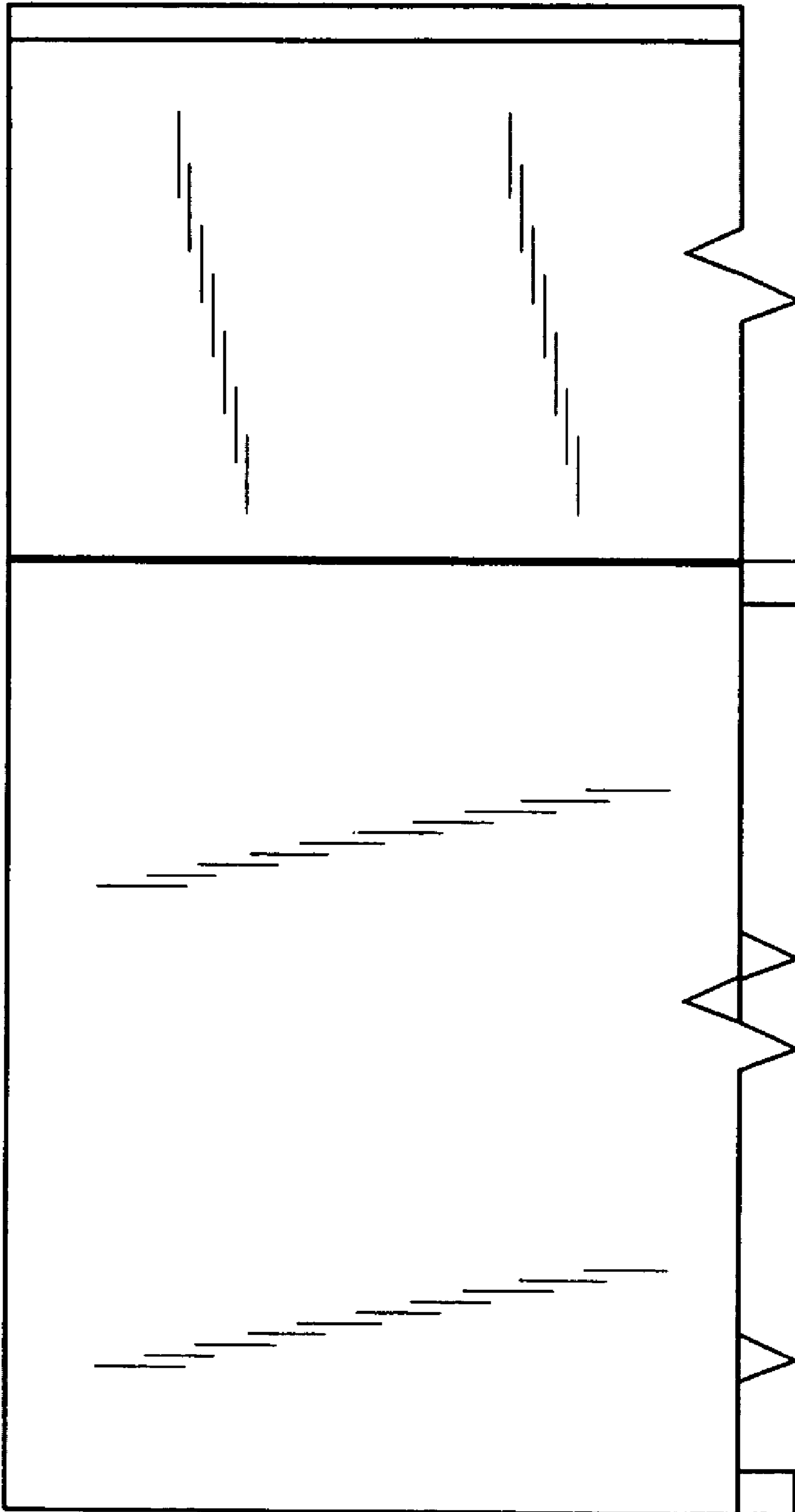


FIG. 5

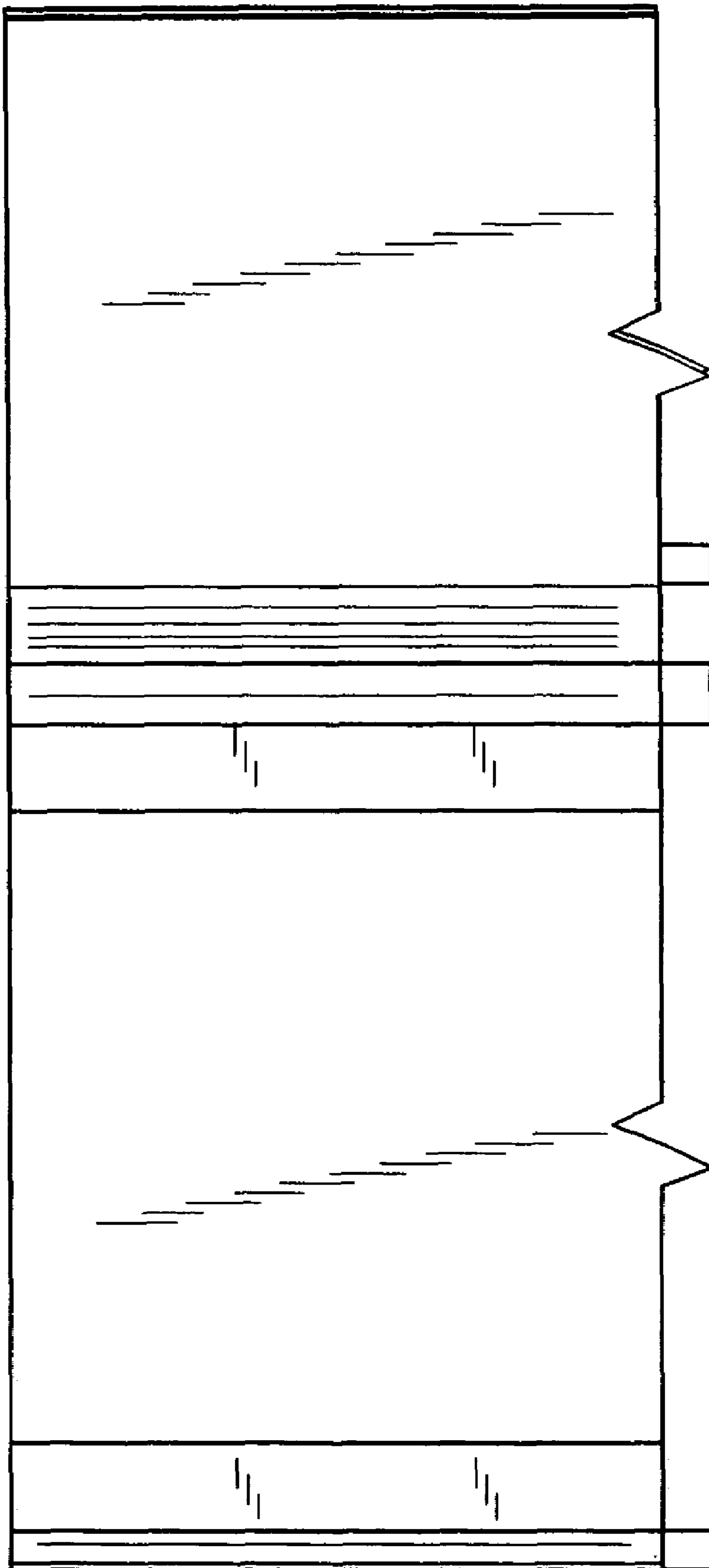


FIG. 6