



US00D557425S

(12) **United States Design Patent** (10) **Patent No.:** **US D557,425 S**
Nakamura et al. (45) **Date of Patent:** **** Dec. 11, 2007**

(54) **COVER RING FOR A PLASMA PROCESSING APPARATUS**

(75) Inventors: **Tsutomu Nakamura**, Hikari (JP);
Susumu Tauchi, Shunan (JP); **Akitaka Makino**, Hikari (JP)

(73) Assignee: **Hitachi High-Technologies Corporation**, Tokyo (JP)

(**) Term: **14 Years**

(21) Appl. No.: **29/236,933**

(22) Filed: **Aug. 25, 2005**

(51) **LOC (8) Cl.** **24-01**

(52) **U.S. Cl.** **D24/232**

(58) **Field of Classification Search** D24/169,
D24/186, 216, 231-232; D13/122, 138,
D13/144, 199; D15/144, 144.1, 199; 118/715,
118/728; 156/345.51; 204/192.2; 239/548;
257/776; 414/609

See application file for complete search history.

(56) **References Cited**

U.S. PATENT DOCUMENTS

D404,370	S	*	1/1999	Kimura	D13/182
D404,372	S	*	1/1999	Ishii	D13/182
6,068,441	A	*	5/2000	Raaijmakers et al.	414/609
6,423,175	B1	*	7/2002	Huang et al.	156/345.51
D490,450	S	*	5/2004	Hayashi et al.	D15/199
D491,963	S	*	6/2004	Doba	D15/144

D494,552	S	*	8/2004	Tezuka et al.	D13/182
D496,008	S	*	9/2004	Takahashi et al.	D13/182
2003/0146084	A1	*	8/2003	Fu	204/192.2
2005/0150452	A1	*	7/2005	Sen et al.	118/715
2005/0258280	A1	*	11/2005	Goto et al.	239/548
2007/0007660	A1	*	1/2007	Nguyen et al.	257/776
2007/0166819	A1	*	7/2007	Ghosh et al.	435/305.4

* cited by examiner

Primary Examiner—Robert A. Delehanty

Assistant Examiner—Mark Cavanna

(74) *Attorney, Agent, or Firm*—Antonelli, Terry, Stout & Kraus, LLP.

(57) **CLAIM**

We claim the ornamental design for cover ring for a plasma processing apparatus, as shown.

DESCRIPTION

FIG. 1 is a front, top and right side perspective view of cover ring for a plasma processing apparatus showing our new design;

FIG. 2 is a front elevational view thereof;

FIG. 3 is a right side elevational view thereof;

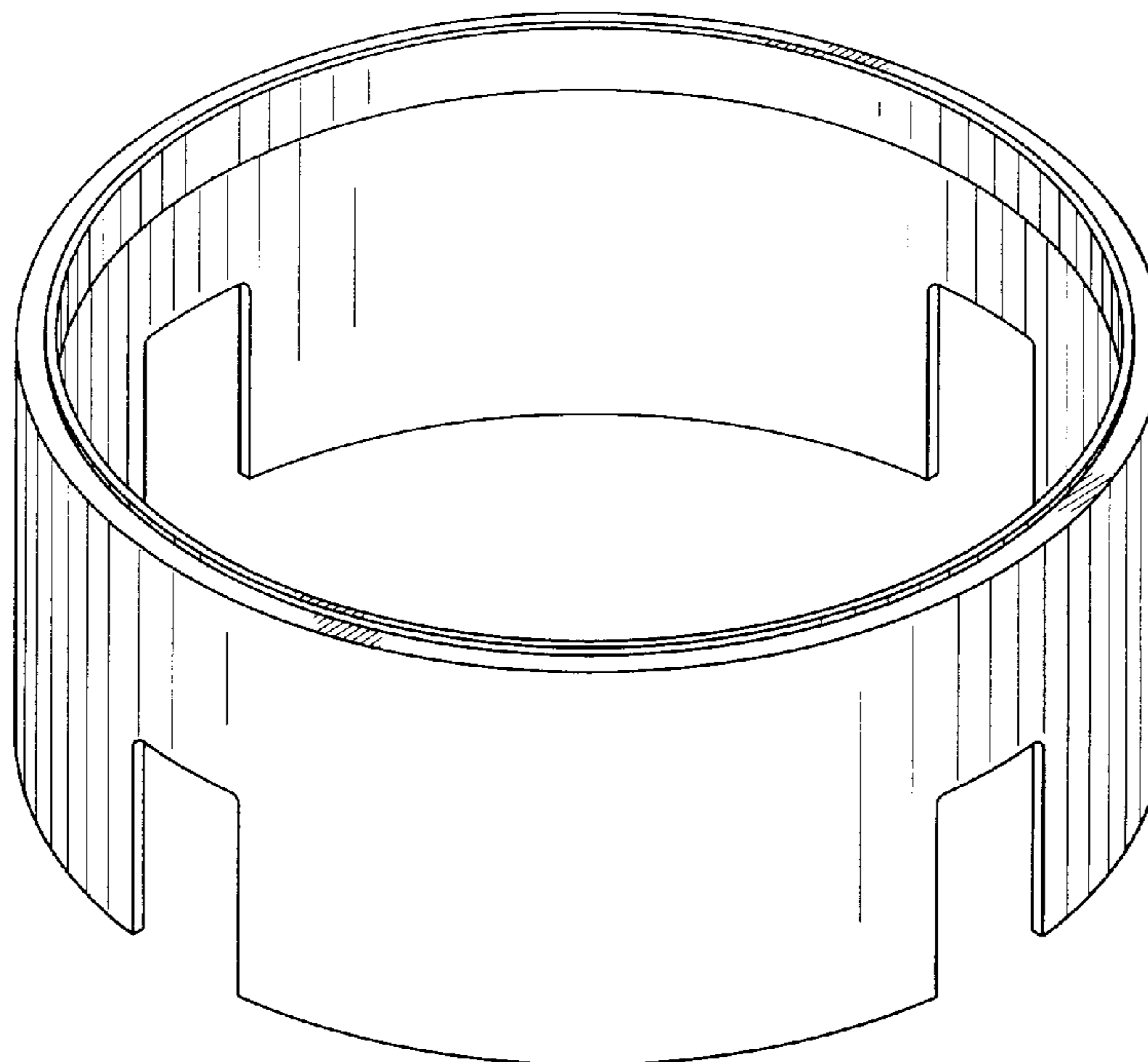
FIG. 4 is a left side elevational view thereof;

FIG. 5 is a top plan elevational view thereof;

FIG. 6 is a rear elevational view thereof; and,

FIG. 7 is a bottom plan elevational view thereof.

1 Claim, 4 Drawing Sheets



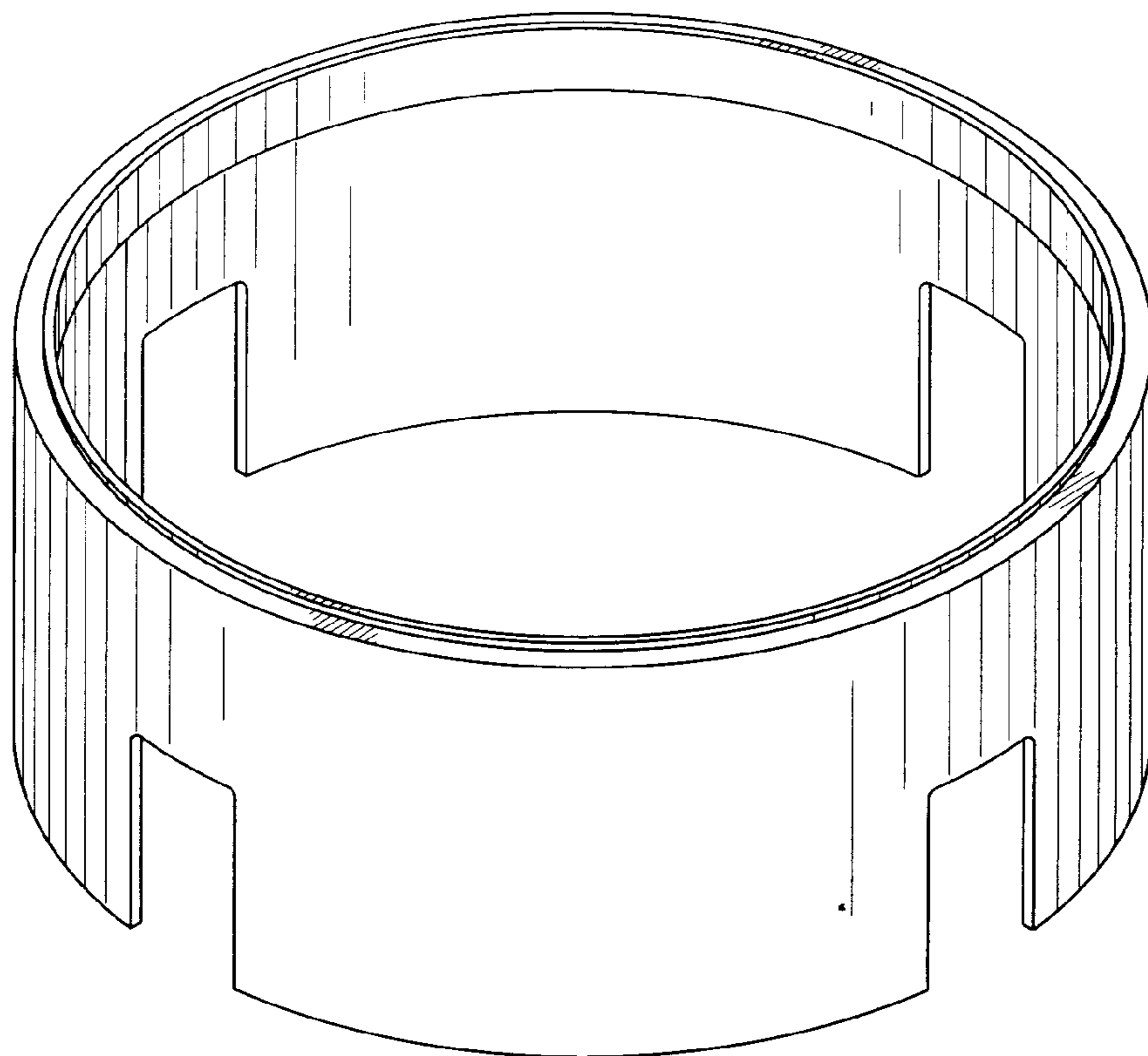


FIG. 1

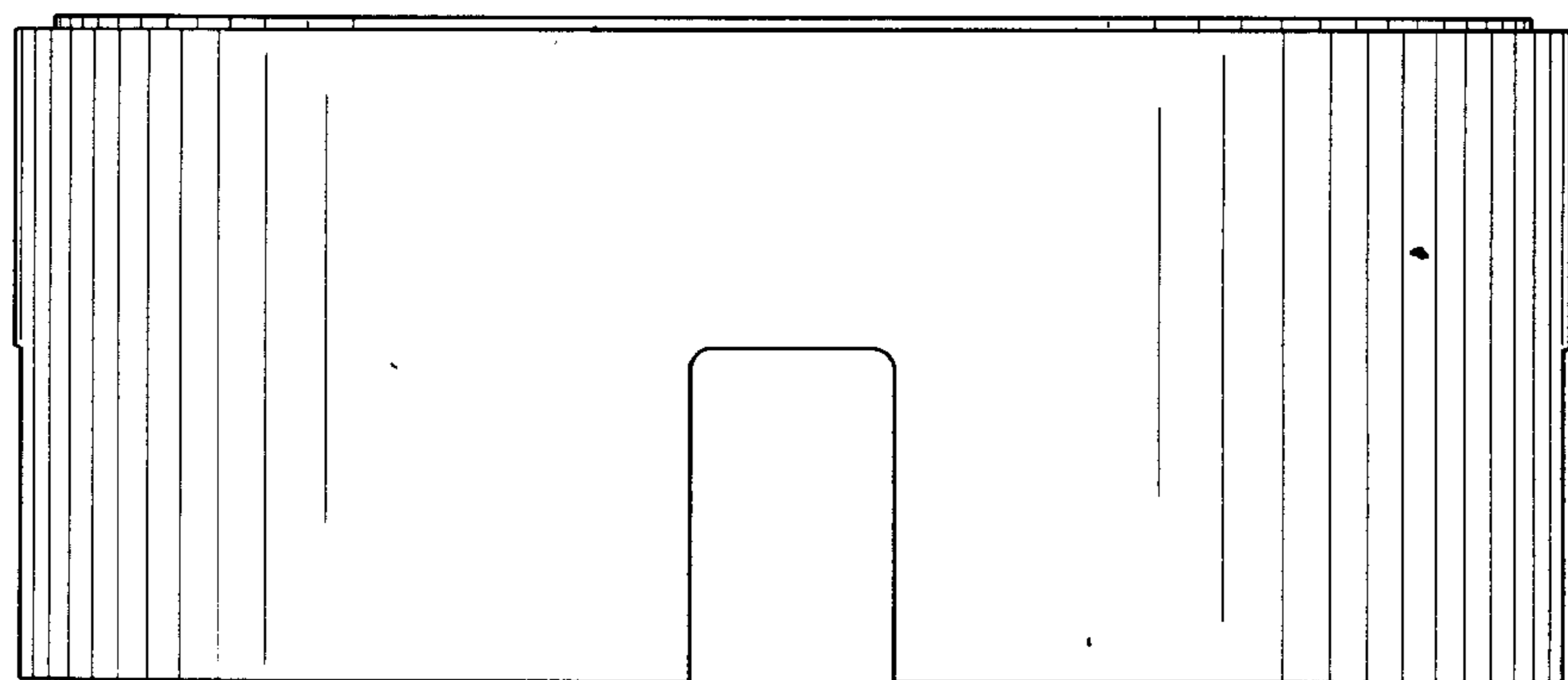


FIG. 2

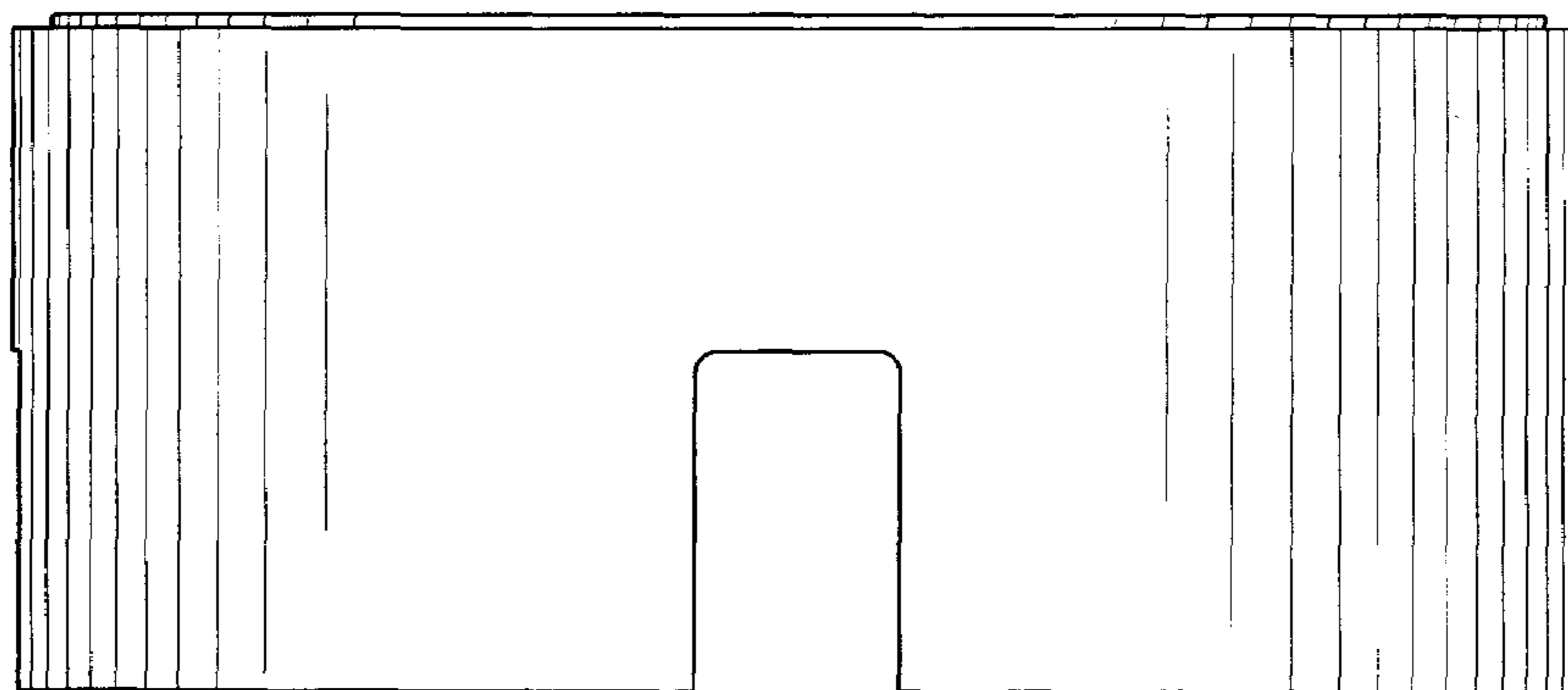


FIG. 3

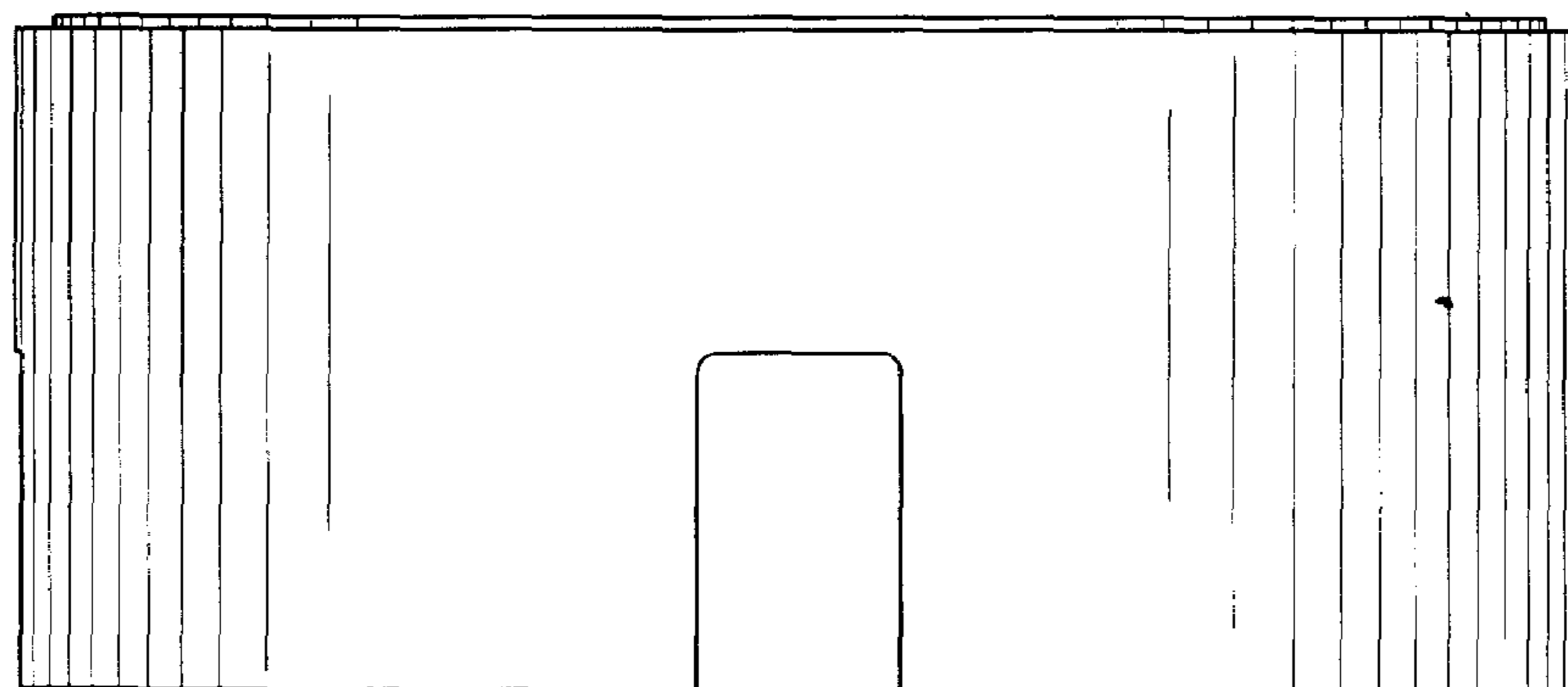


FIG. 4

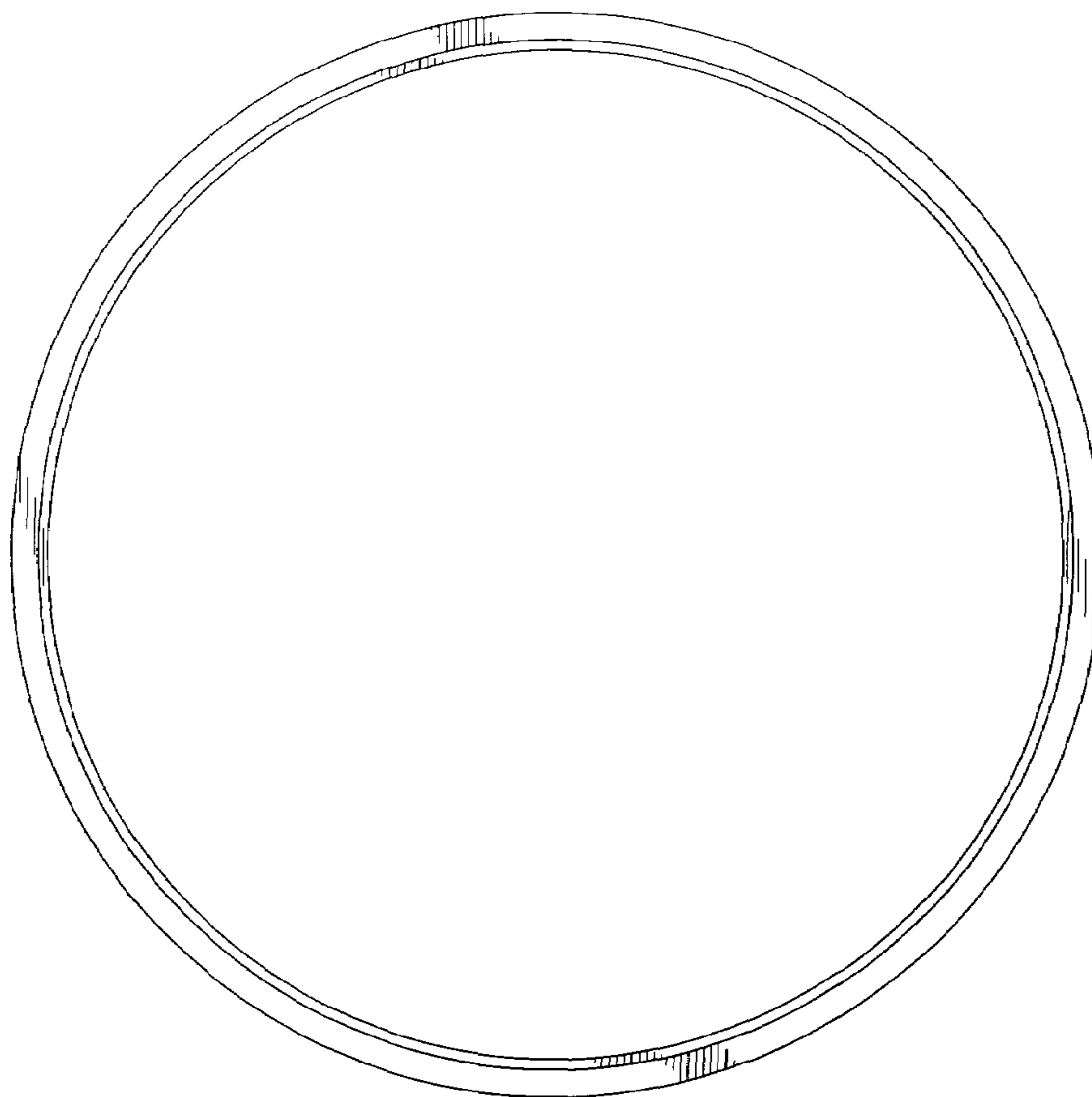


FIG. 5

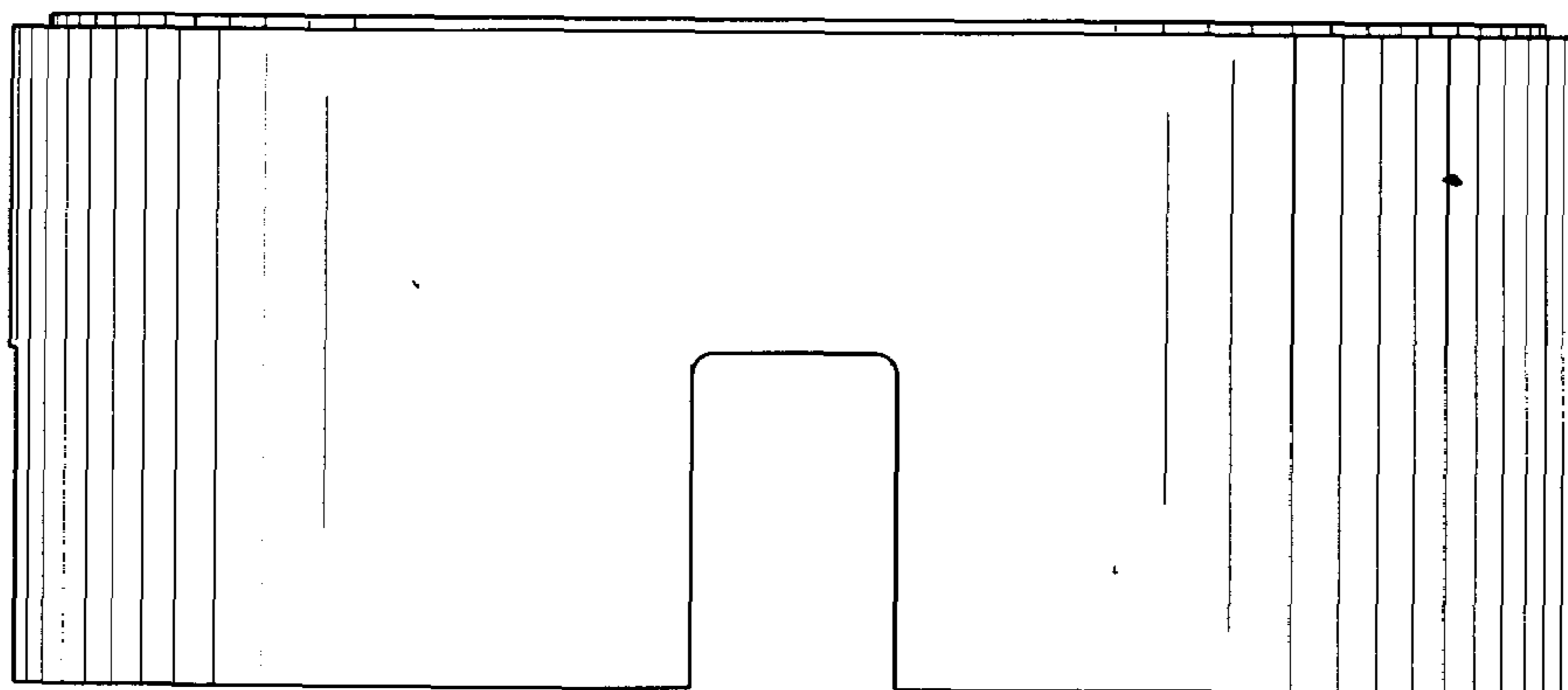


FIG. 6

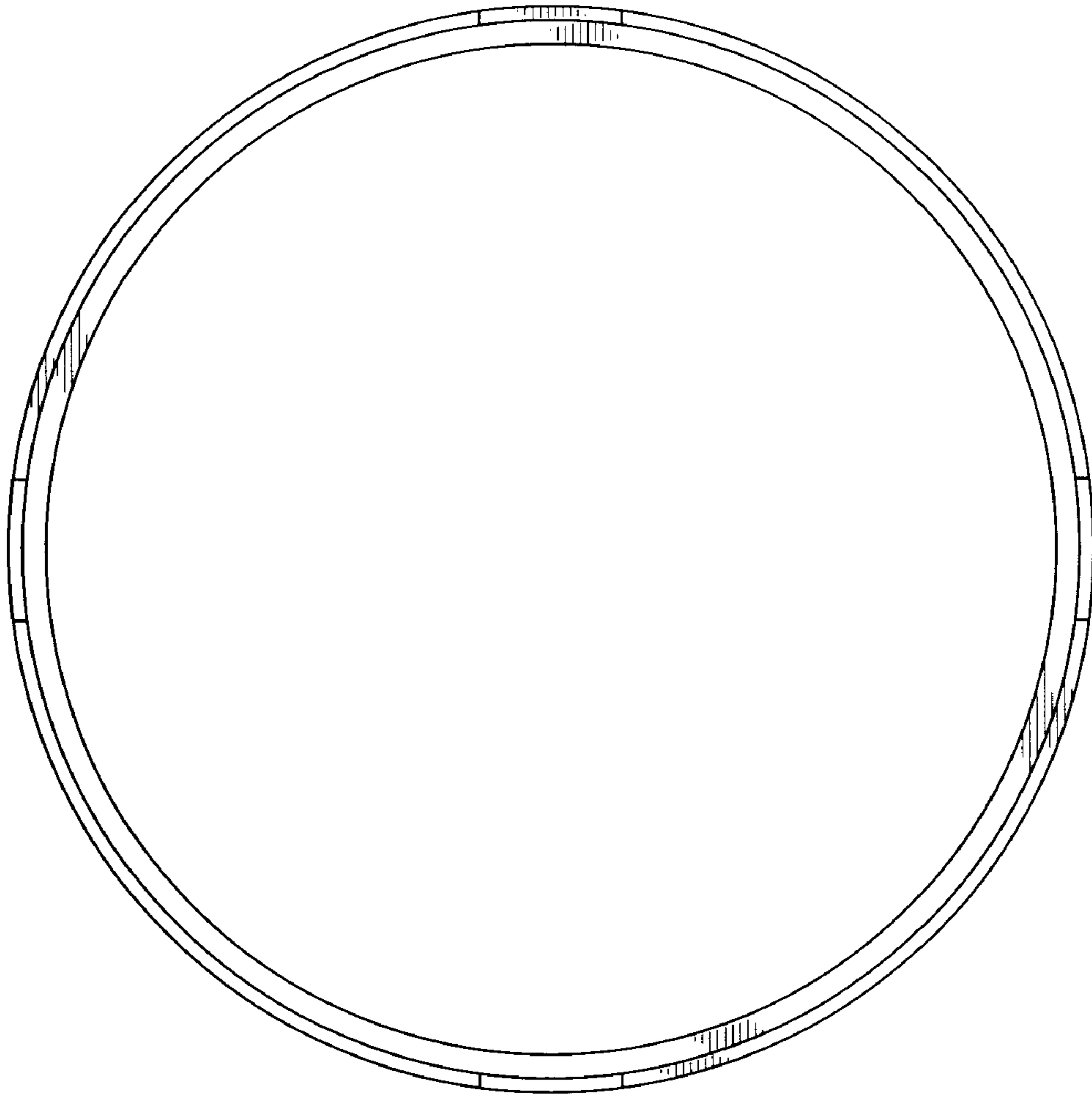


FIG. 7