



US00D557422S

(12) **United States Design Patent** (10) **Patent No.:** **US D557,422 S**
Arbogast et al. (45) **Date of Patent:** **** Dec. 11, 2007**

(54) **BLOOD GLUCOSE METER**

(75) Inventors: **Fred Arbogast**, San Ramon, CA (US);
John Blaisdell, Billerica, MA (US);
Kenneth Gary, Boxborough, MA (US)

(73) Assignee: **Abbott Diabetes Care, Inc.**, Alameda, CA (US)

(**) Term: **14 Years**

(21) Appl. No.: **29/232,659**

(22) Filed: **Jun. 22, 2005**

(51) **LOC (8) Cl.** **24-01**

(52) **U.S. Cl.** **D24/186**

(58) **Field of Classification Search** D24/169,
D24/183-187, 216-234; 422/56, 58, 61,
422/67, 68.1, 102, 104; 436/46, 50, 55; 600/309,
600/318, 322, 368, 583; D10/78, 81; 204/403.03
See application file for complete search history.

(56) **References Cited**

U.S. PATENT DOCUMENTS

- D371,198 S 6/1996 Savage et al.
- D378,612 S 3/1997 Clark et al.
- D392,740 S * 3/1998 Yung et al. D24/169
- D399,566 S 10/1998 Sohrab et al.
- D411,621 S 6/1999 Eisenbarth et al.
- D417,504 S 12/1999 Love et al.
- D424,696 S 5/2000 Ray et al.
- D440,312 S 4/2001 Bertrand et al.
- D465,026 S 10/2002 May et al.
- D465,849 S 11/2002 May et al.

- D471,280 S * 3/2003 Jaeck D24/169
- D471,983 S * 3/2003 Hippolyte et al. D24/169
- D473,310 S 4/2003 Schlagheck et al.
- D484,600 S 12/2003 Kaar et al.
- 6,706,159 B2 * 3/2004 Moerman et al. 204/403.03
- D493,536 S 7/2004 Jaeck et al.
- D495,418 S 8/2004 Rounds et al.
- D496,461 S 9/2004 Neel et al.
- D510,711 S * 10/2005 Syme et al. D10/81
- D518,397 S * 4/2006 Sydlowski et al. D10/81
- D520,888 S * 5/2006 Sydlowski et al. D10/81
- D533,095 S * 12/2006 Kaushal et al. D10/78
- D534,445 S * 1/2007 Kaushal et al. D10/78

* cited by examiner

Primary Examiner—Robert A. Delehanty

Assistant Examiner—Mark Cavanna

(74) *Attorney, Agent, or Firm*—Merchant & Gould P.C.

(57) **CLAIM**

The ornamental design for a blood glucose meter, as shown and described.

DESCRIPTION

FIG. 1 is a front view of a blood glucose meter showing our new design;

FIG. 2 is a back view thereof;

FIG. 3 is a bottom view thereof;

FIG. 4 is a top view thereof; and,

FIG. 5 is a right side view with the left side view being a mirror image thereof.

1 Claim, 4 Drawing Sheets

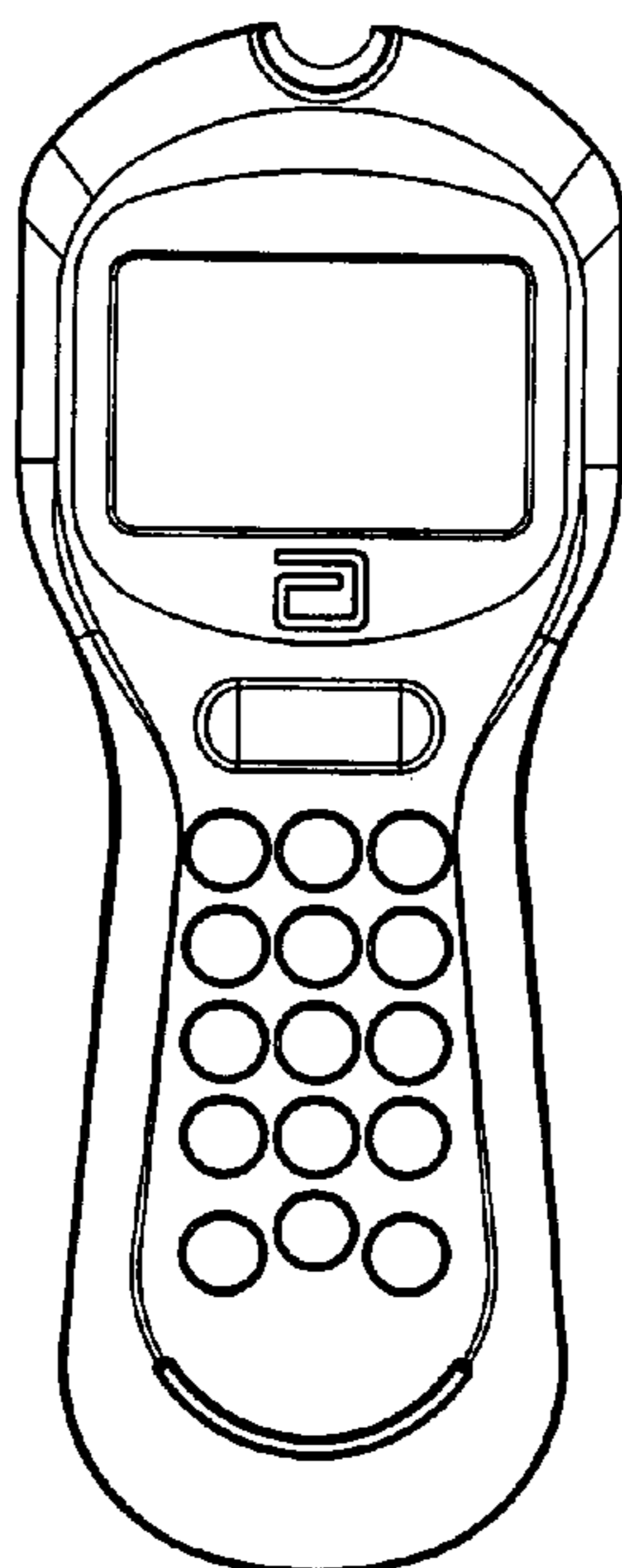


FIG. 1

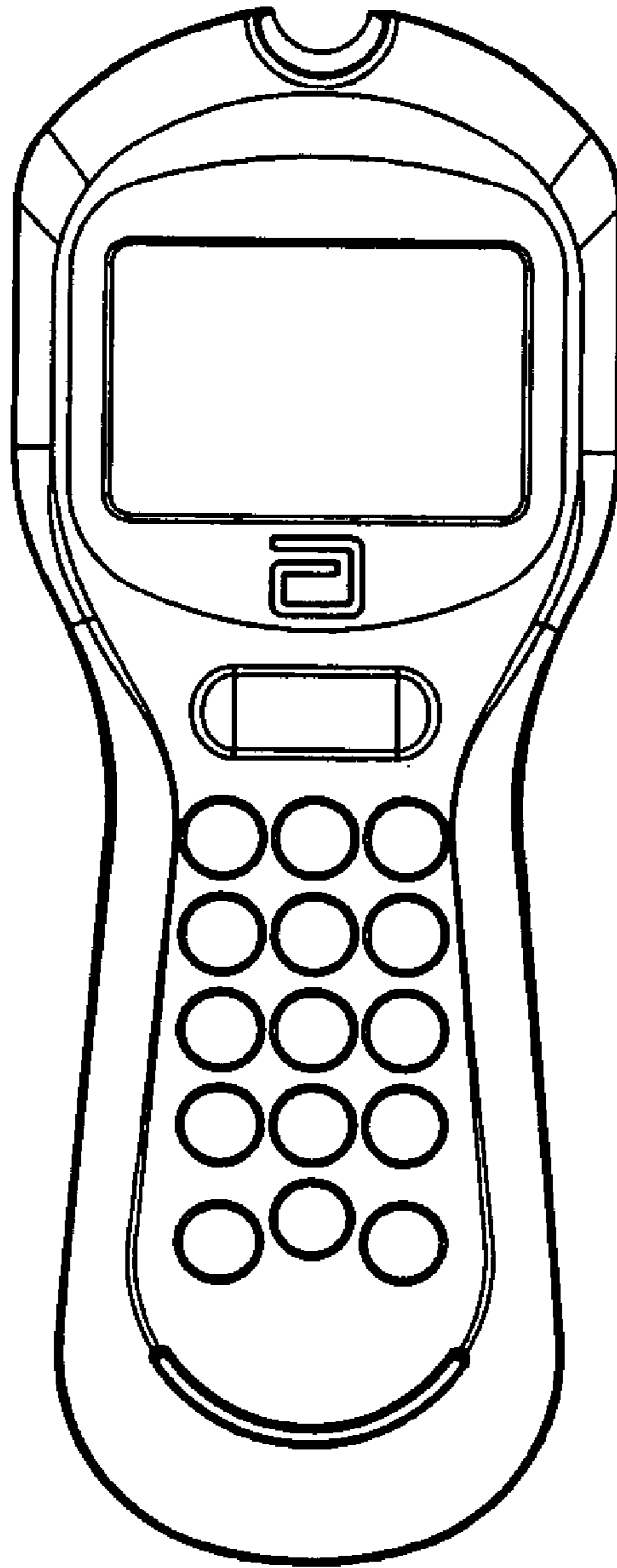


FIG. 2

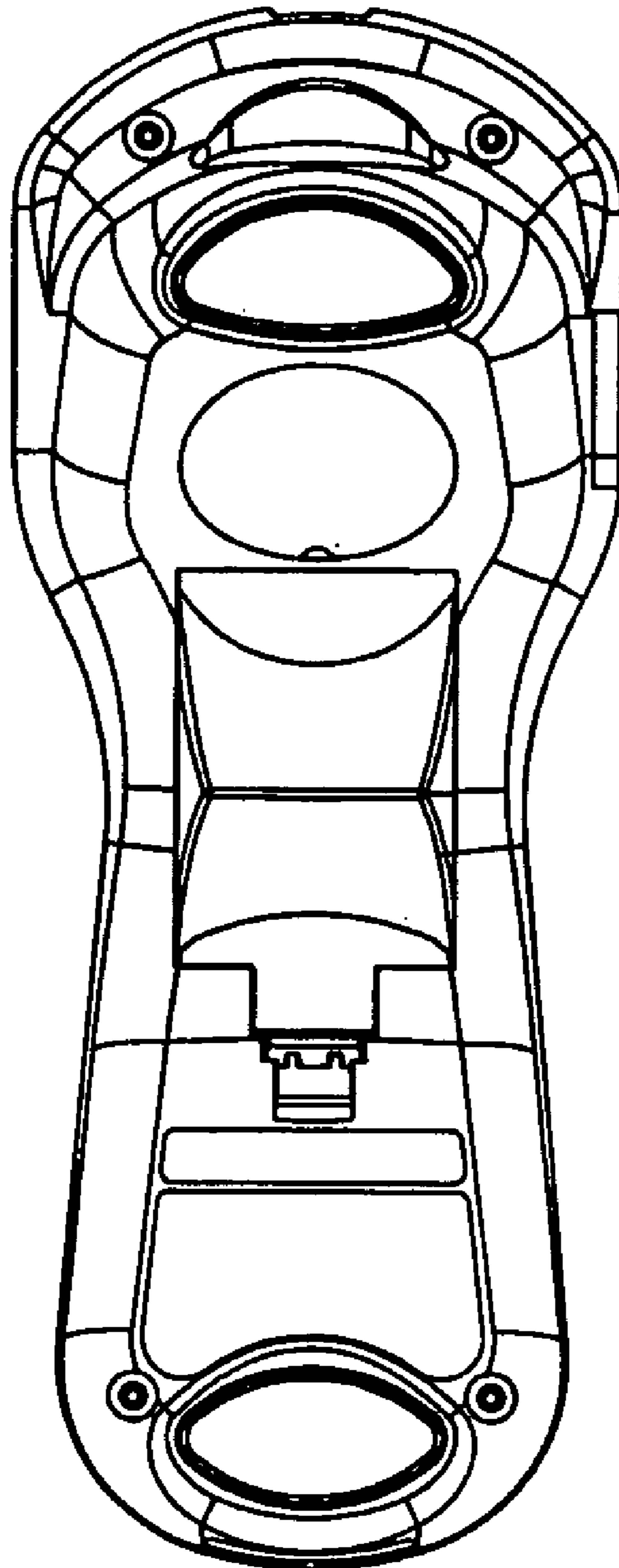


FIG. 3

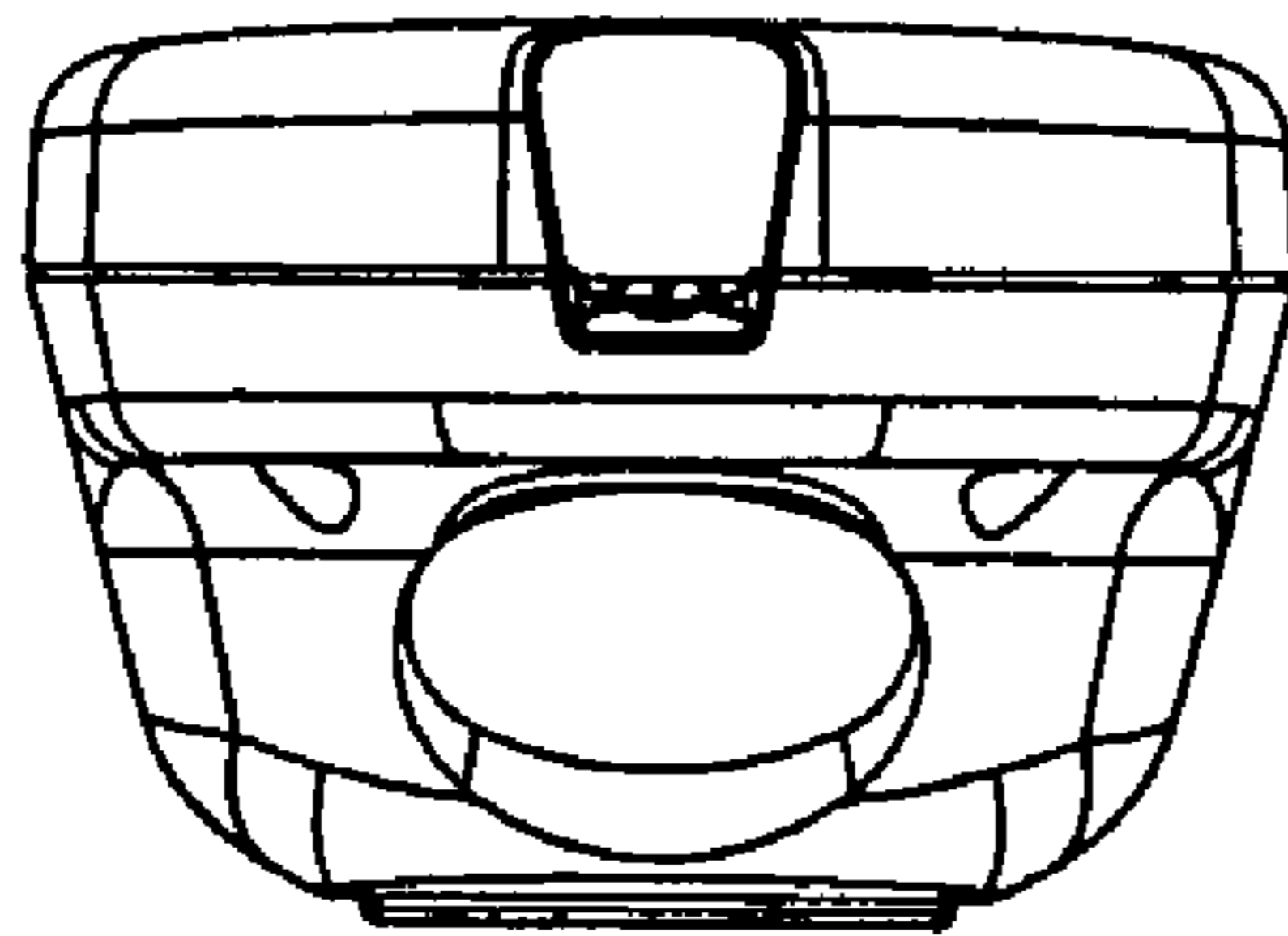
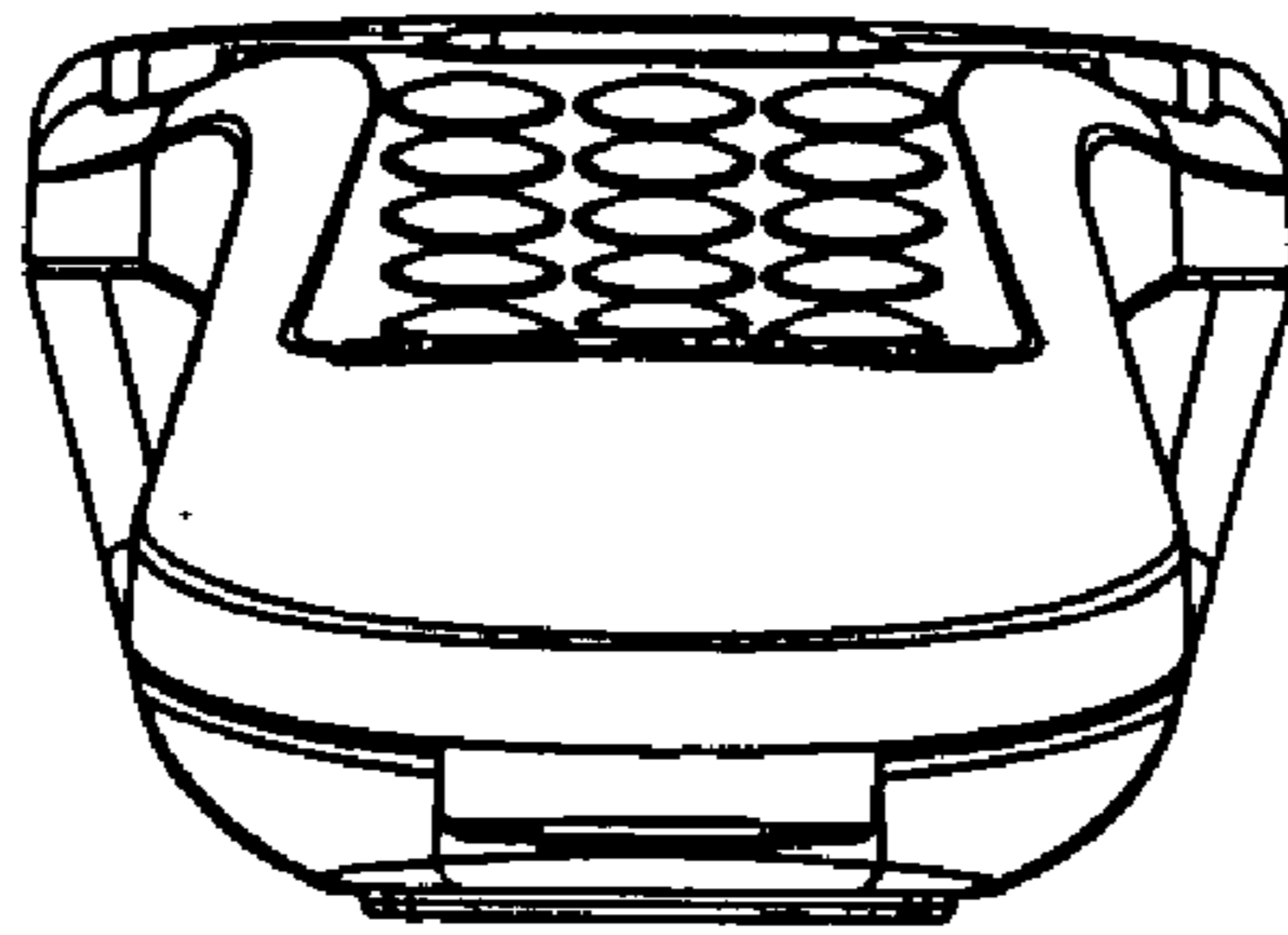


FIG. 4

FIG. 5

