



US00D557421S

(12) **United States Design Patent**
Fleck et al.

(10) **Patent No.:** **US D557,421 S**

(45) **Date of Patent:** **** Dec. 11, 2007**

(54) **MEDICAL CART**

(75) Inventors: **Steven Fleck**, Carnegie, PA (US);
David Szakelyhidi, Pittsburgh, PA
(US); **Gautam Gandhi**, Clarksburg, NJ
(US); **Thomas Kubilius**, Mt. Lebanon,
PA (US); **Zachary B. Beard**,
Pittsburgh, PA (US)

(73) Assignee: **Clearcount Medical Solutions, Inc.**,
Pittsburgh, PA (US)

(**) Term: **14 Years**

(21) Appl. No.: **29/266,038**

(22) Filed: **Sep. 13, 2006**

(51) **LOC (8) Cl.** **24-02**

(52) **U.S. Cl.** **D24/185**

(58) **Field of Classification Search** D24/107-108,
D24/111, 144, 167, 169, 185-186, 216; D13/163;
D34/14, 302; 600/103-104, 443; 604/4,
604/19, 22, 66, 93, 131-133; 606/32, 34,
606/41

See application file for complete search history.

(56) **References Cited**

U.S. PATENT DOCUMENTS

4,625,731 A * 12/1986 Quedens et al. 600/443
D367,534 S * 2/1996 DiPerna et al. D24/169
D389,917 S * 1/1998 Hornback et al. D24/185
D410,544 S * 6/1999 Metzler et al. D24/172

D438,952 S * 3/2001 Cimino et al. D24/107
D467,001 S * 12/2002 Buczek et al. D24/172
6,626,445 B2 * 9/2003 Murphy et al. 606/34
D486,915 S * 2/2004 Warschewske et al. D34/14
D517,768 S * 3/2006 Arceta D24/185
D518,267 S * 3/2006 Arceta D24/185
D525,592 S * 7/2006 Nguyen D13/163
D539,794 S * 4/2007 Rossini et al. D14/302
D544,103 S * 6/2007 Meziere D24/216

* cited by examiner

Primary Examiner—Robert A. Delehanty

Assistant Examiner—Mark Cavanna

(74) *Attorney, Agent, or Firm*—Ropes & Gray LLP

(57) **CLAIM**

The ornamental design for a medical cart, as shown and described.

DESCRIPTION

FIG. 1 is a perspective view of a medical cart depicting our new design.

FIG. 2 is a front elevational view thereof.

FIG. 3 is a left-side elevation thereof.

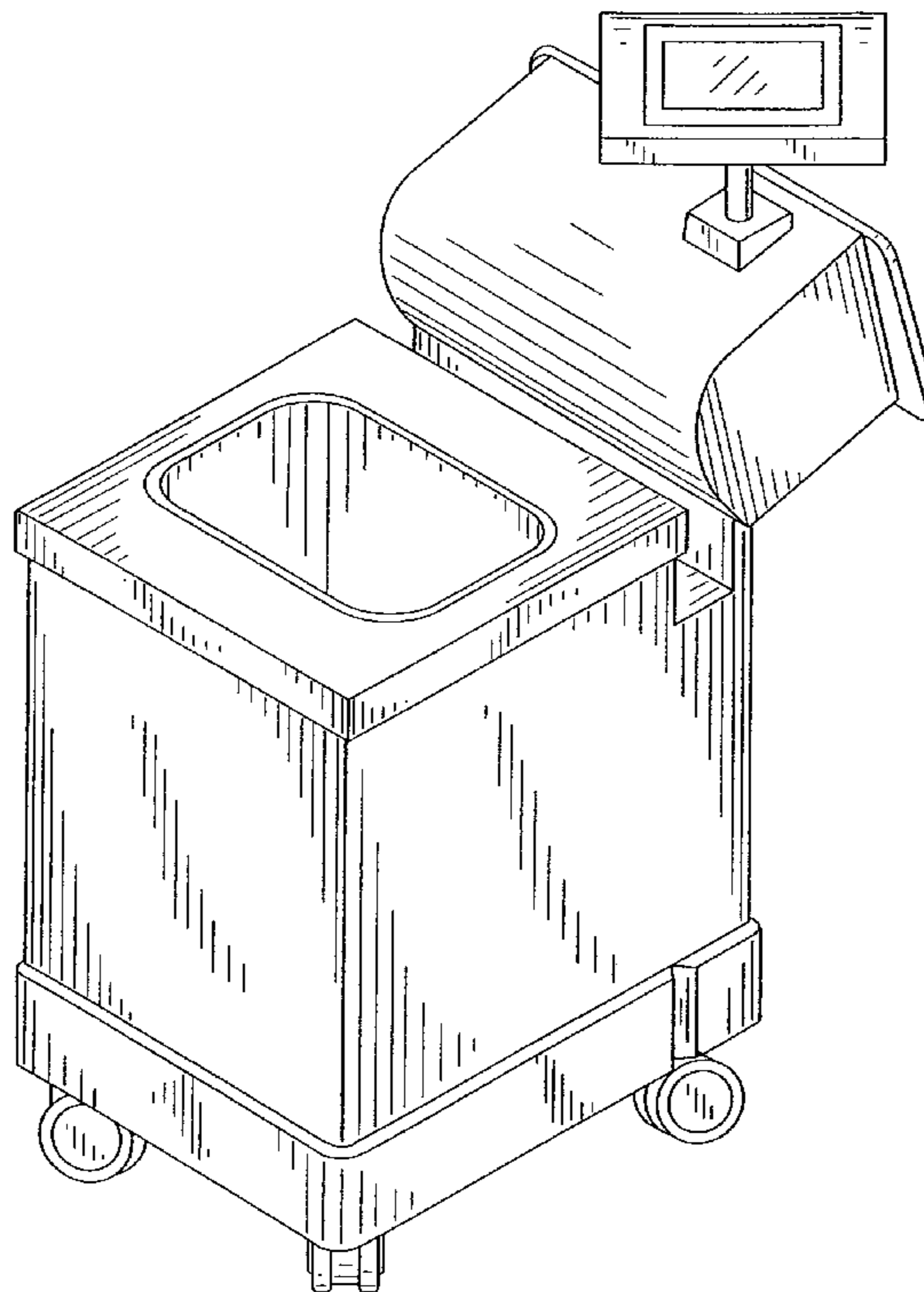
FIG. 4 is a right-side elevation thereof.

FIG. 5 is a rear elevation thereof.

FIG. 6 is a top plan view thereof; and,

FIG. 7 is a bottom plan view thereof.

1 Claim, 7 Drawing Sheets



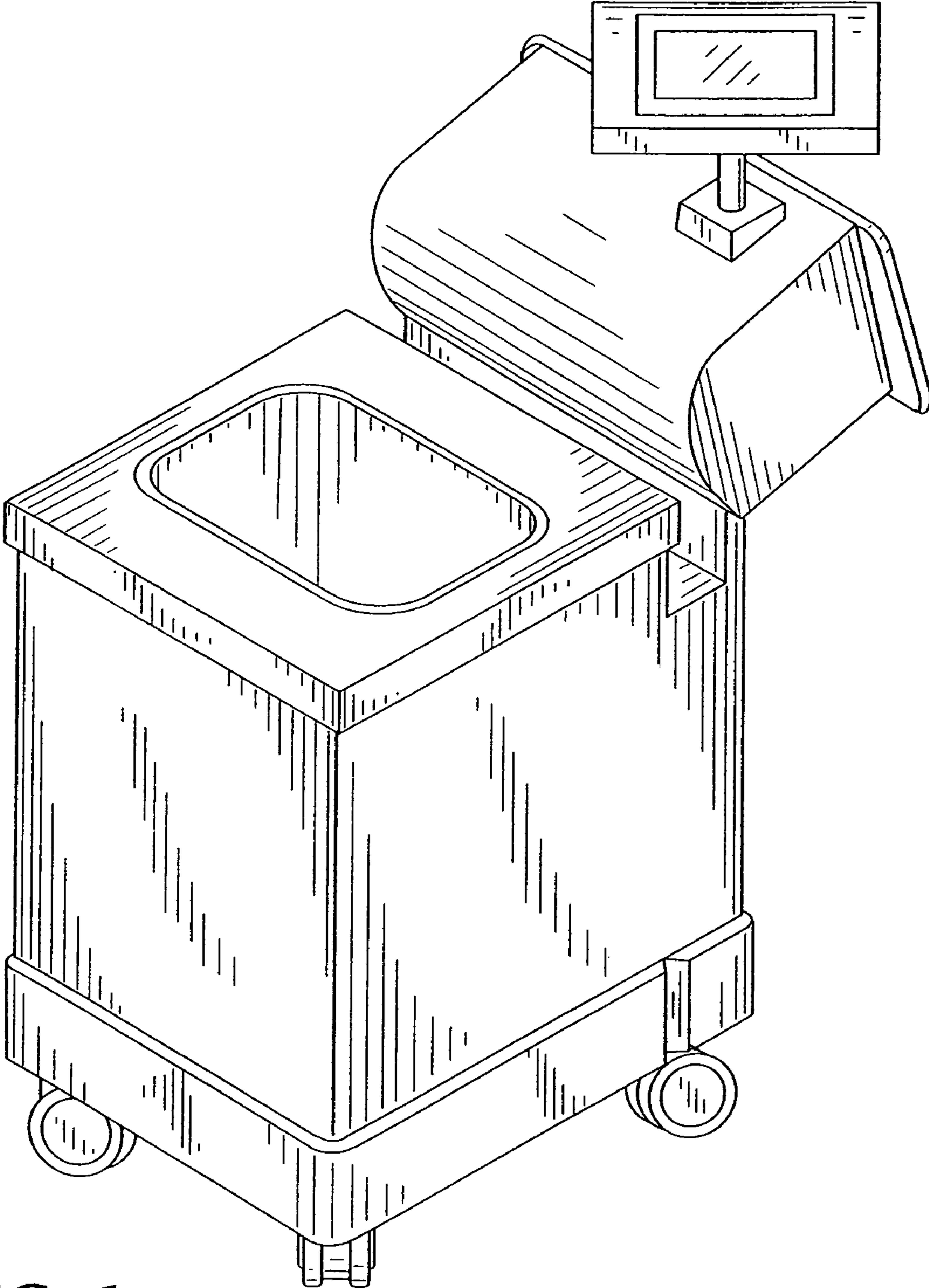


FIG. 1

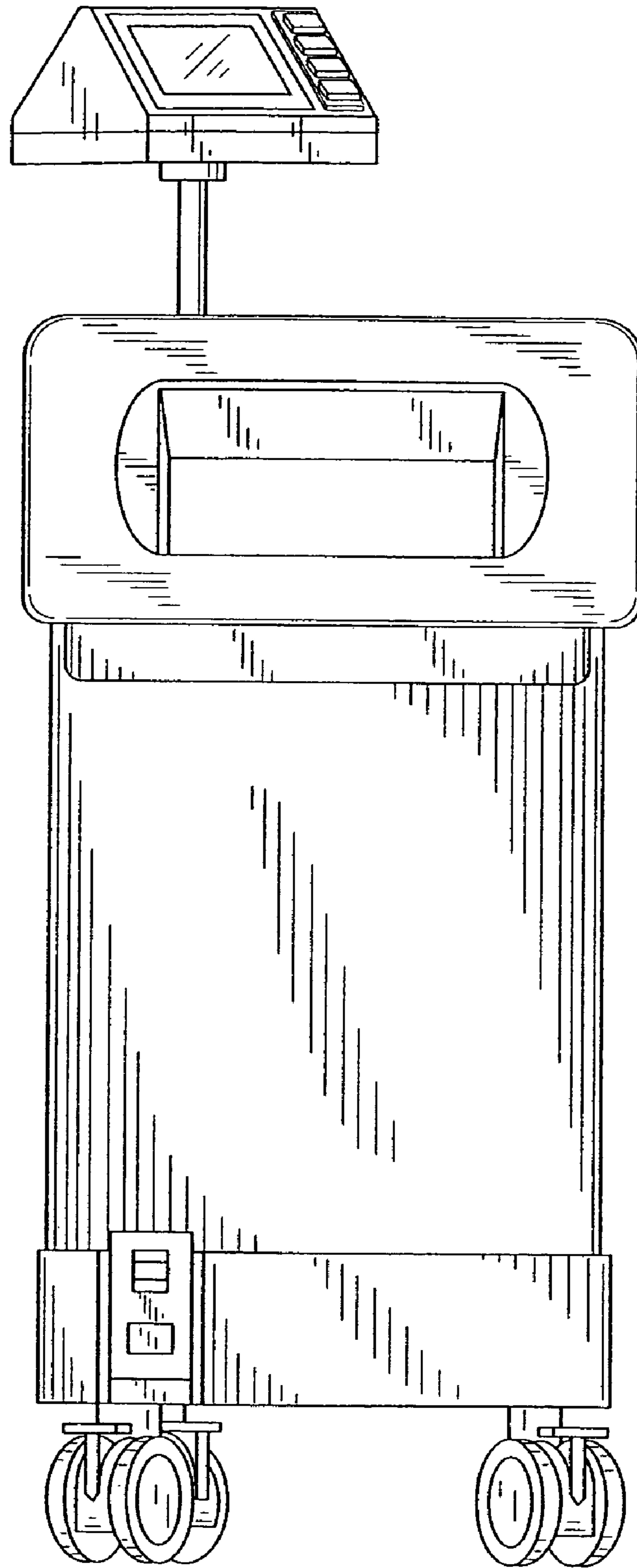


FIG. 2

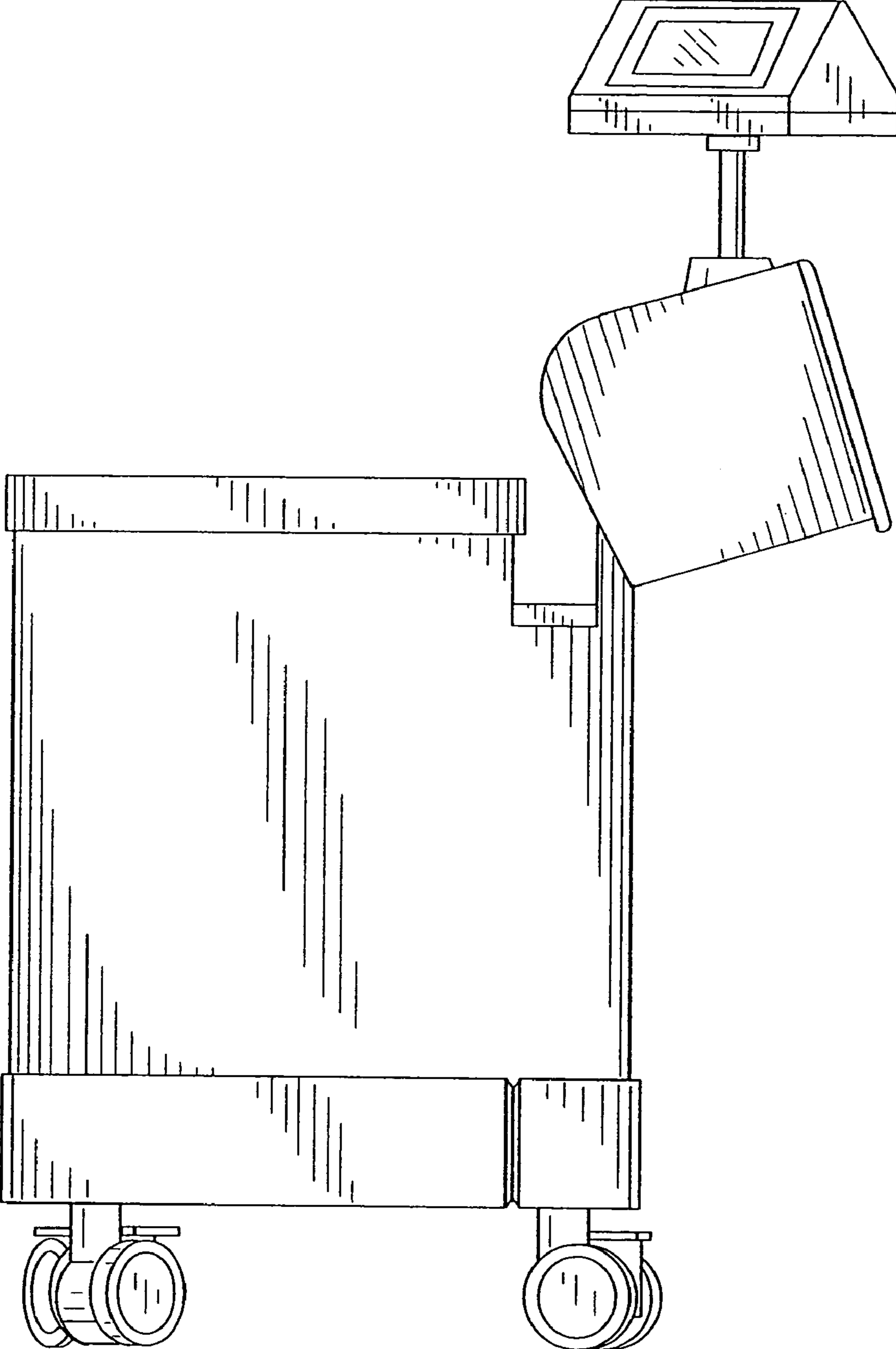


FIG. 3

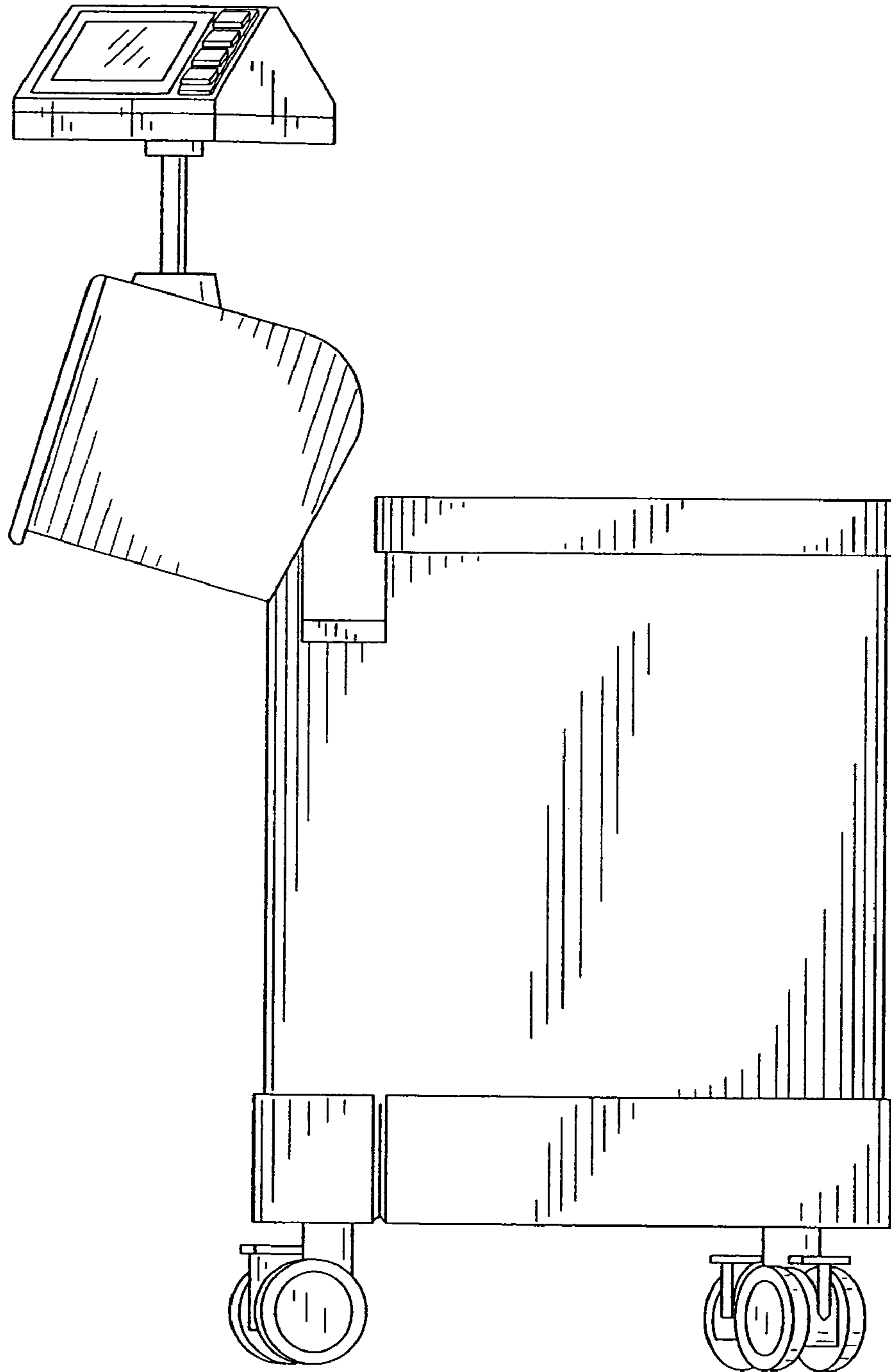


FIG. 4

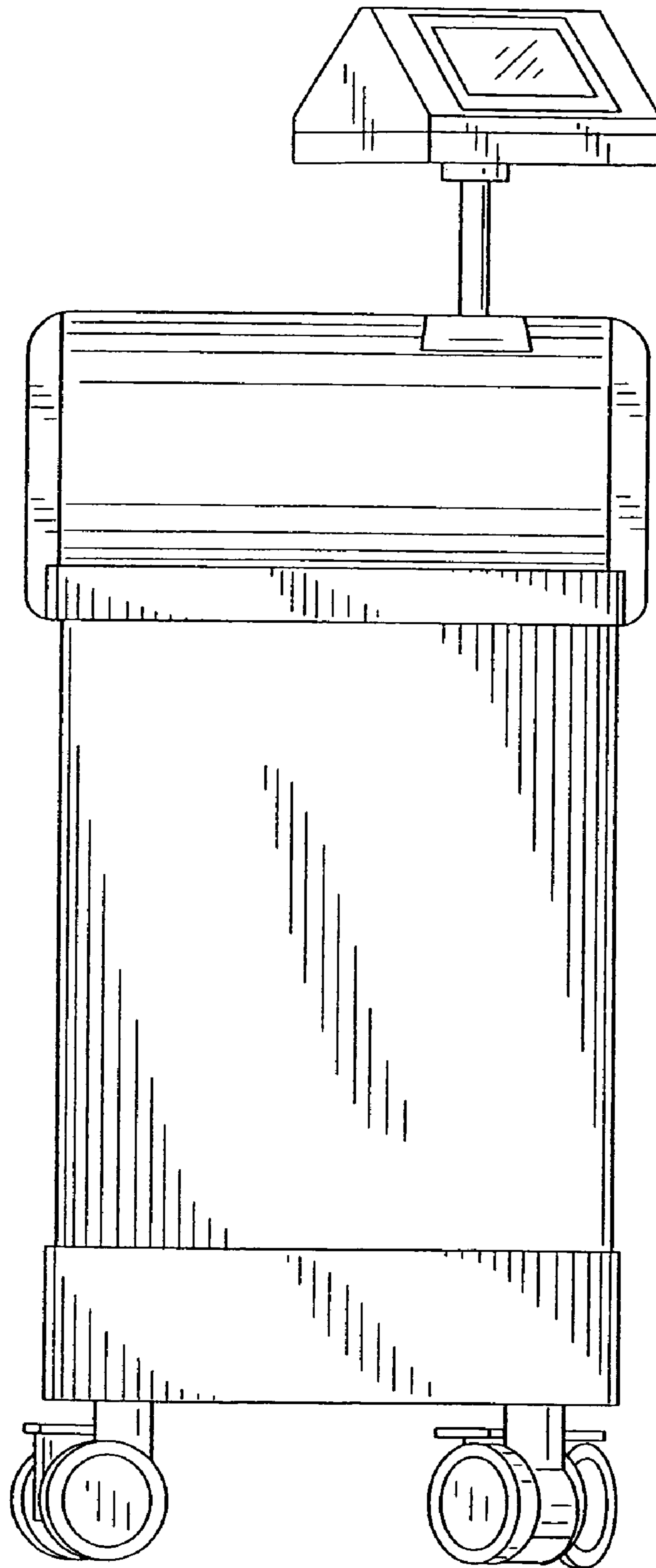


FIG. 5

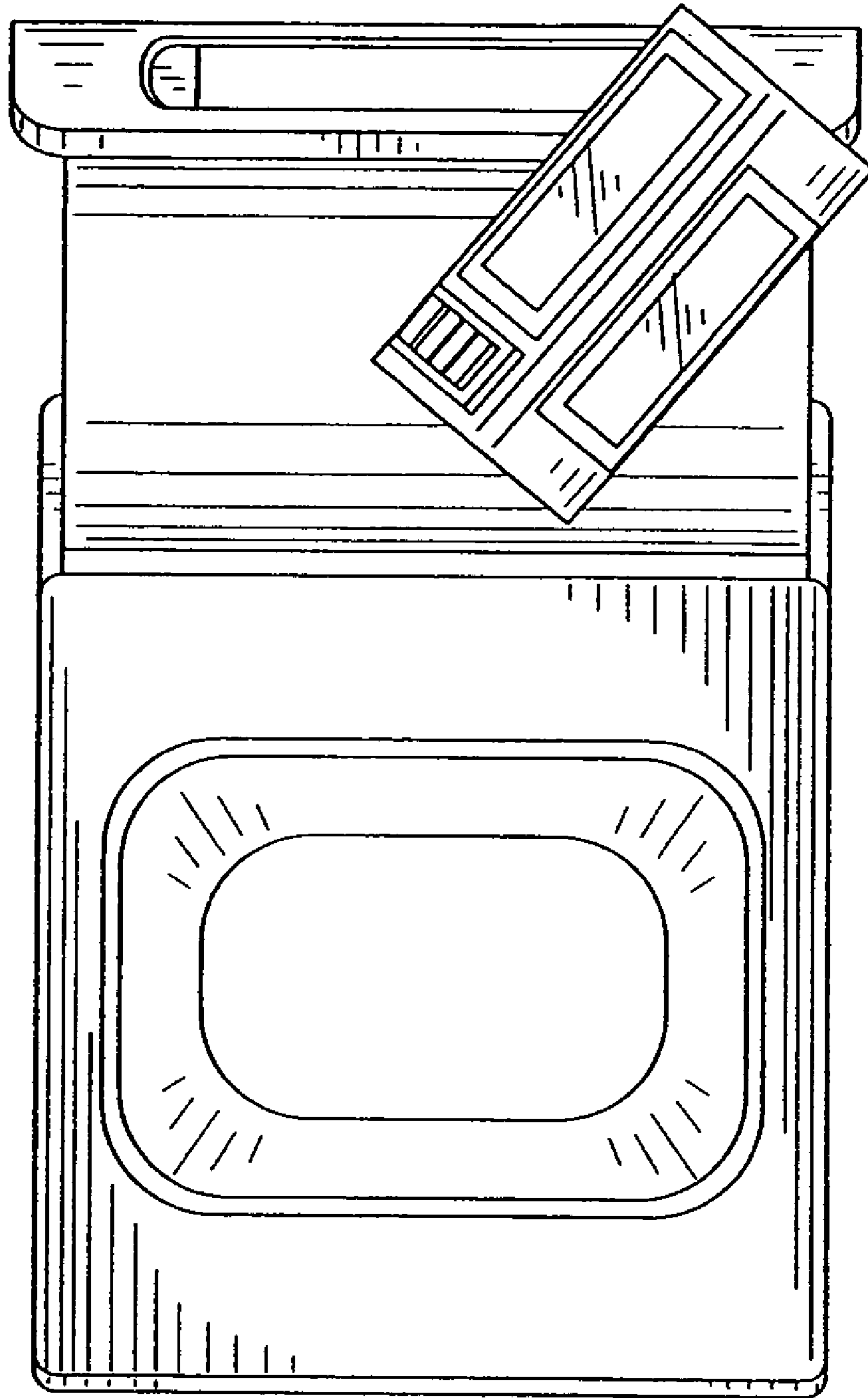


FIG. 6

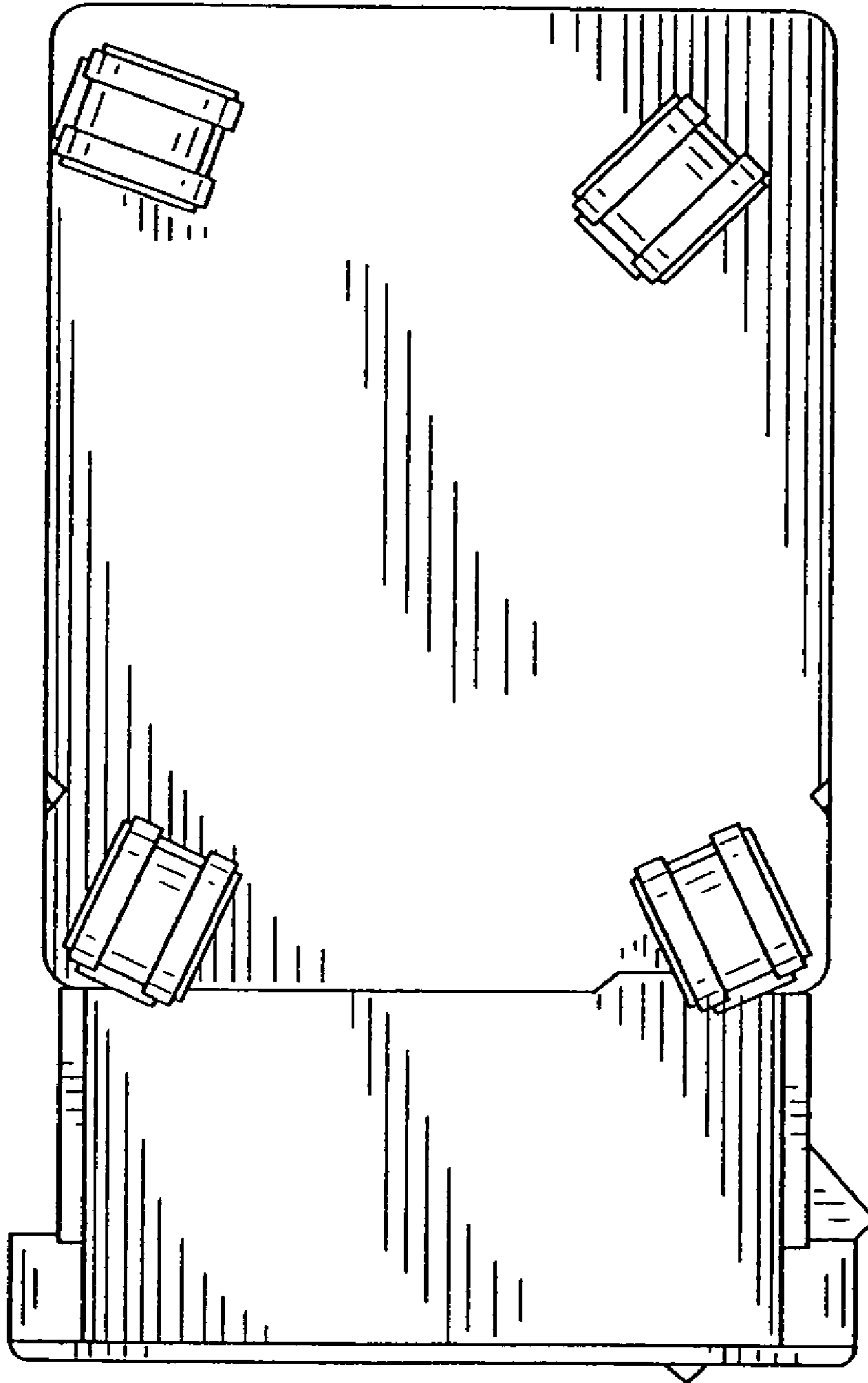


FIG. 7