



US00D557419S

(12) **United States Design Patent**
Jurkiewicz

(10) **Patent No.:** **US D557,419 S**

(45) **Date of Patent:** **** Dec. 11, 2007**

(54) **BODY WORN SOUND PROCESSOR**

(75) Inventor: **Tadeusz Jurkiewicz**, Rozella (AU)

(73) Assignee: **Cochlear Limited**, Lane Cove, NSW (AU)

(**) Term: **14 Years**

(21) Appl. No.: **29/269,384**

(22) Filed: **Nov. 30, 2006**

(51) **LOC (8) Cl.** **24-99**

(52) **U.S. Cl.** **D24/174**

(58) **Field of Classification Search** D24/173,
D24/174; D14/205, 223; 381/23.1, 312,
381/322-330, 380-382; 181/129, 130, 134,
181/135, 137

See application file for complete search history.

(56) **References Cited**

U.S. PATENT DOCUMENTS

D380,048 S *	6/1997	Hampf et al.	D24/174
D470,833 S *	2/2003	Rath et al.	D14/205
D494,571 S *	8/2004	Polito	D14/223
D505,943 S *	6/2005	Han et al.	D14/223
D529,612 S *	10/2006	Feeley et al.	D24/174

* cited by examiner

Primary Examiner—Louis S. Zarfes

Assistant Examiner—Anhdao Doan

(74) *Attorney, Agent, or Firm*—Connolly Bove Lodge & Hutz, LLP

(57) **CLAIM**

I claim the ornamental design for a body worn sound processor, as shown and described.

DESCRIPTION

FIG. 1 is a front perspective view of a body worn sound processor constructed in accordance with one embodiment of the present invention;

FIG. 2 is a right elevation view thereof;

FIG. 3 is a left elevation view thereof;

FIG. 4 is a top side elevation view thereof;

FIG. 5 is a front side elevation view thereof;

FIG. 6 is a bottom side elevation view thereof;

FIG. 7 is an exploded front perspective view thereof;

FIG. 8 is an exploded right elevation view thereof;

FIG. 9 is an exploded left elevation view thereof;

FIG. 10 is an exploded top side elevation view thereof;

FIG. 11 is an exploded front side elevation view thereof; and,

FIG. 12 is an exploded bottom side elevation view thereof.

The broken line showing is for illustrative purposes only and forms no part of the claimed design.

1 Claim, 6 Drawing Sheets

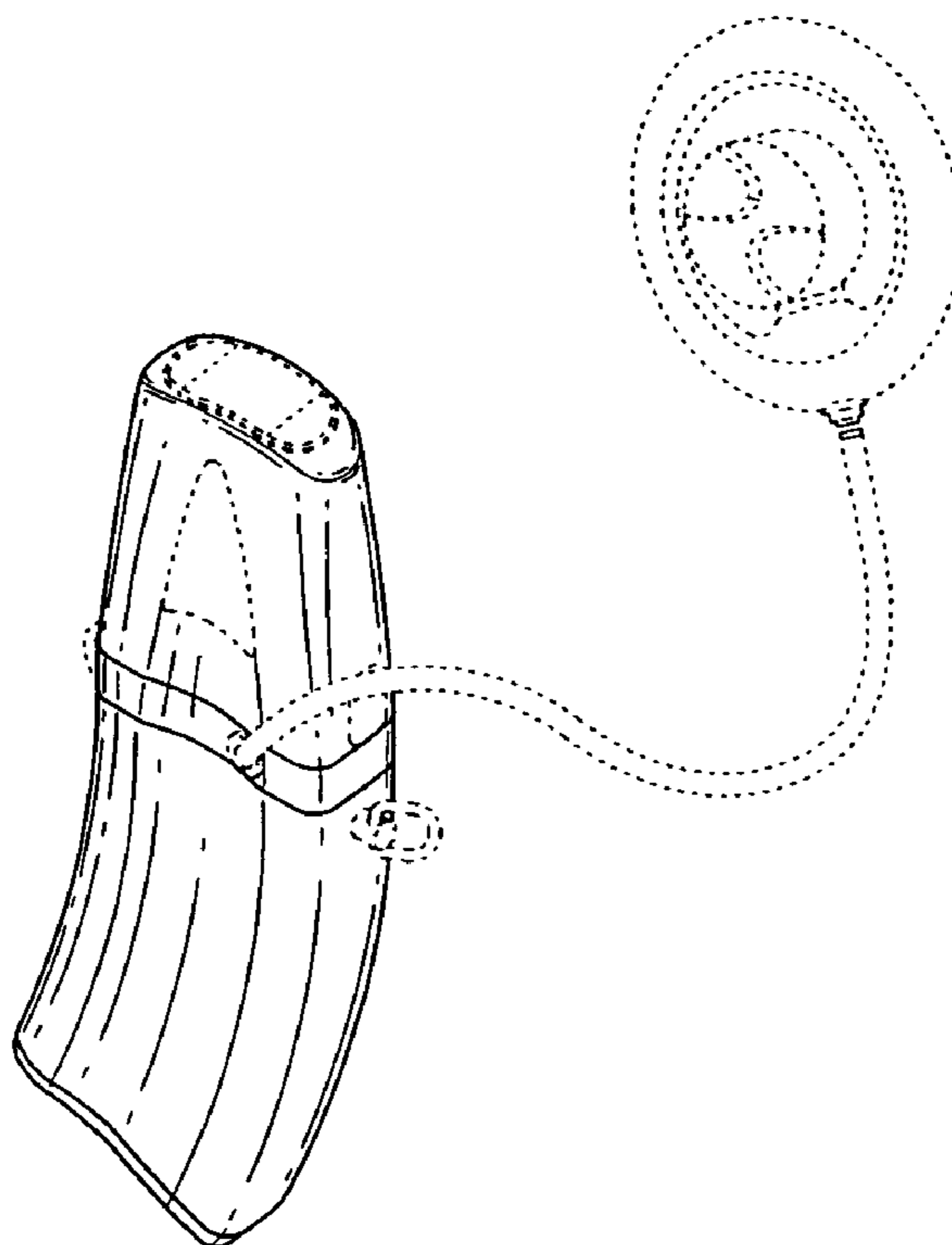


FIG. 1

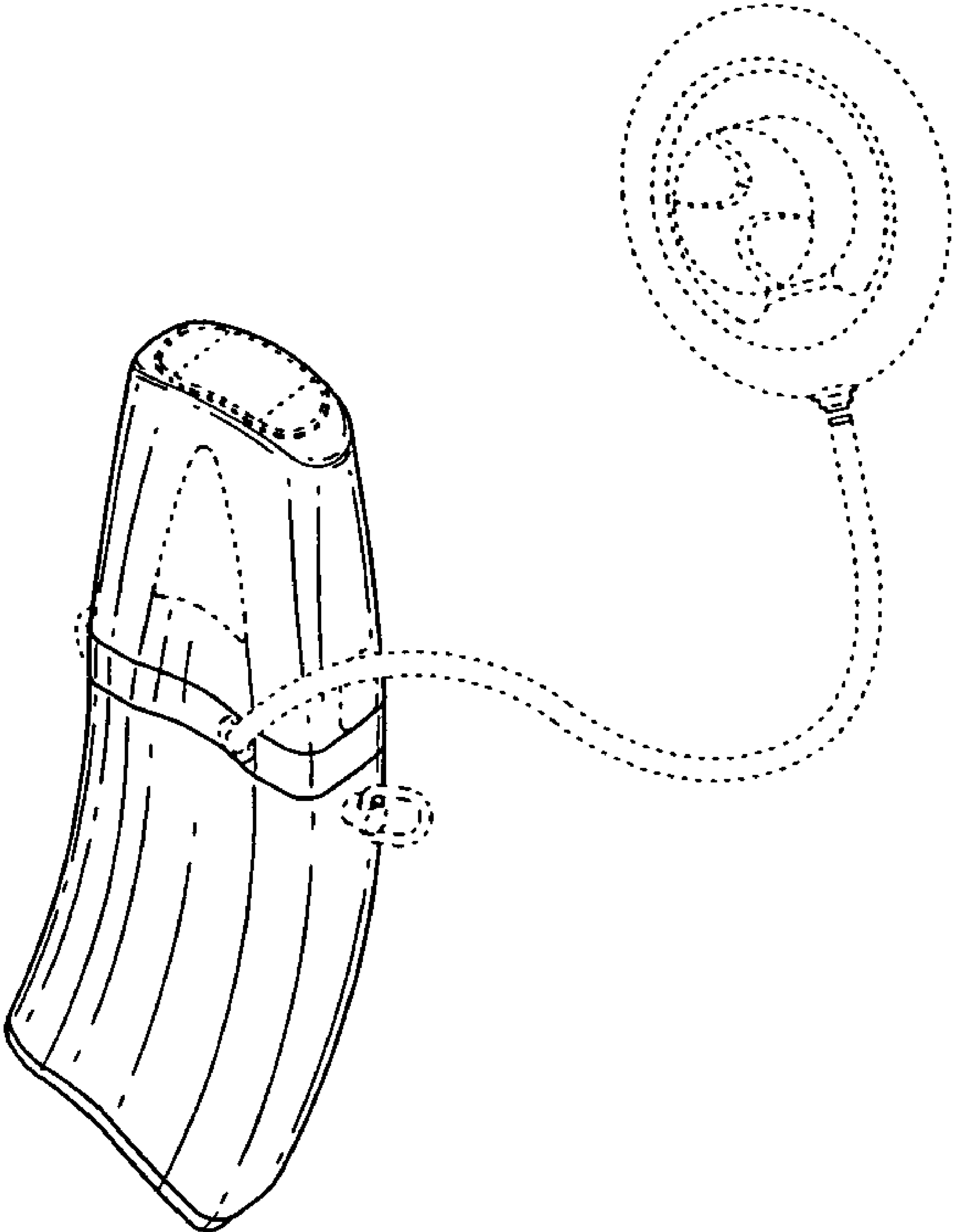


FIG. 2

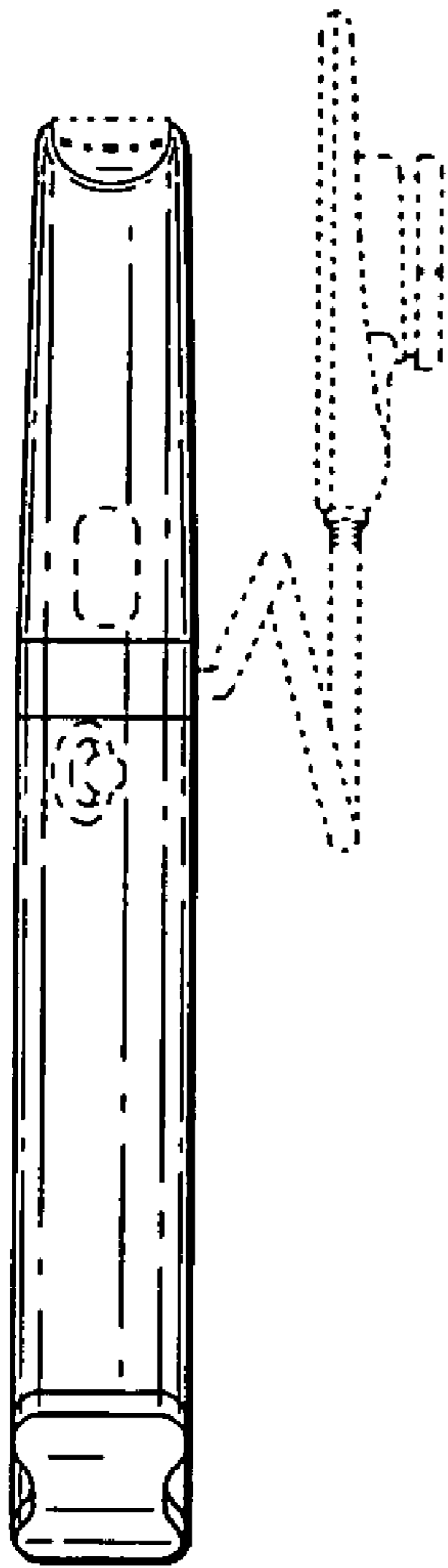


FIG. 3

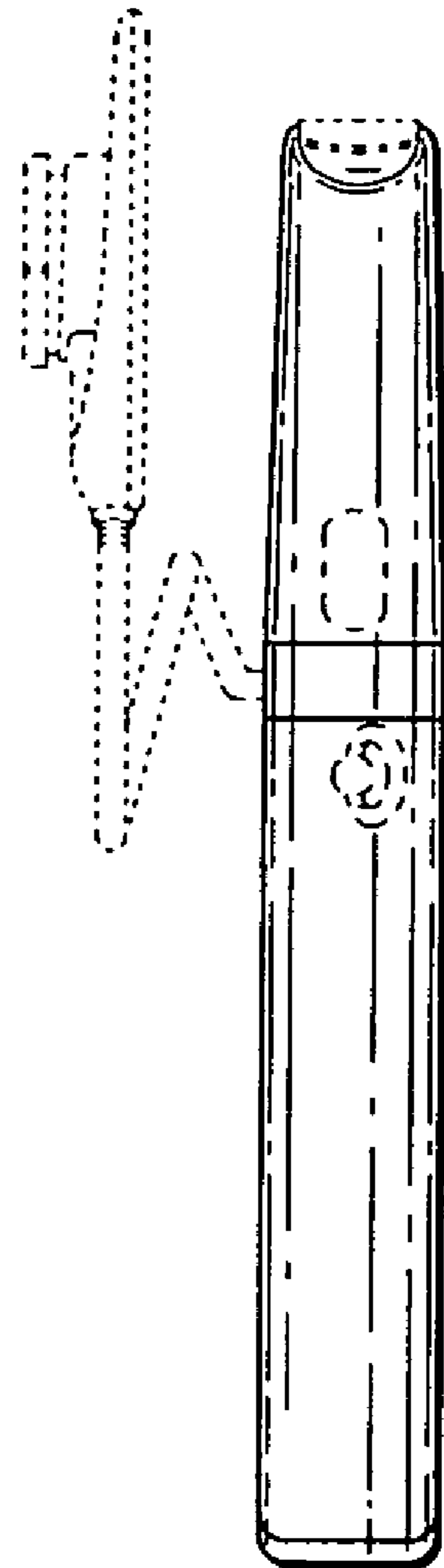


FIG. 4

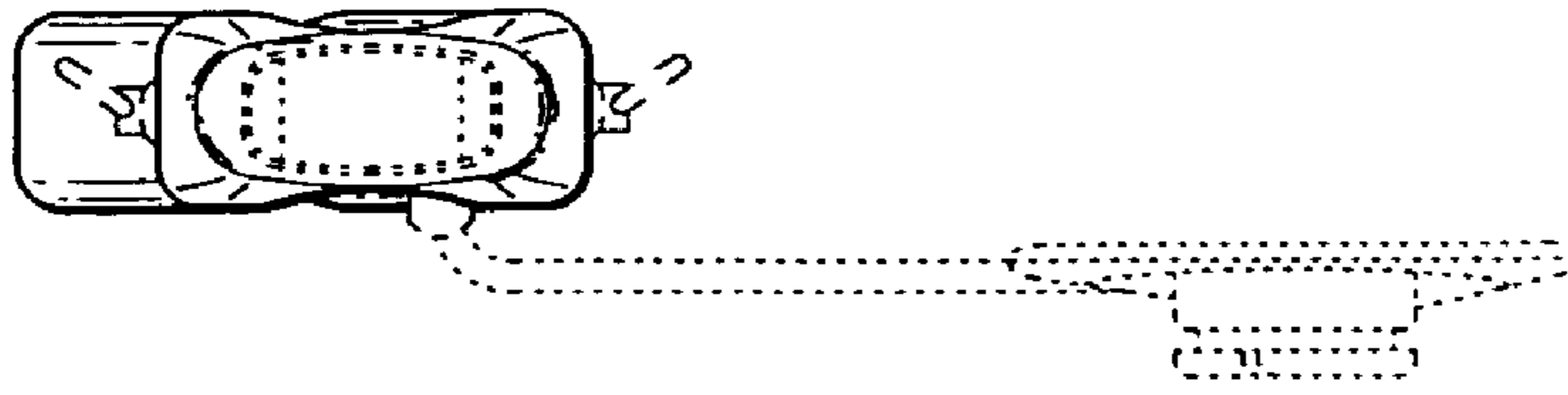


FIG. 5

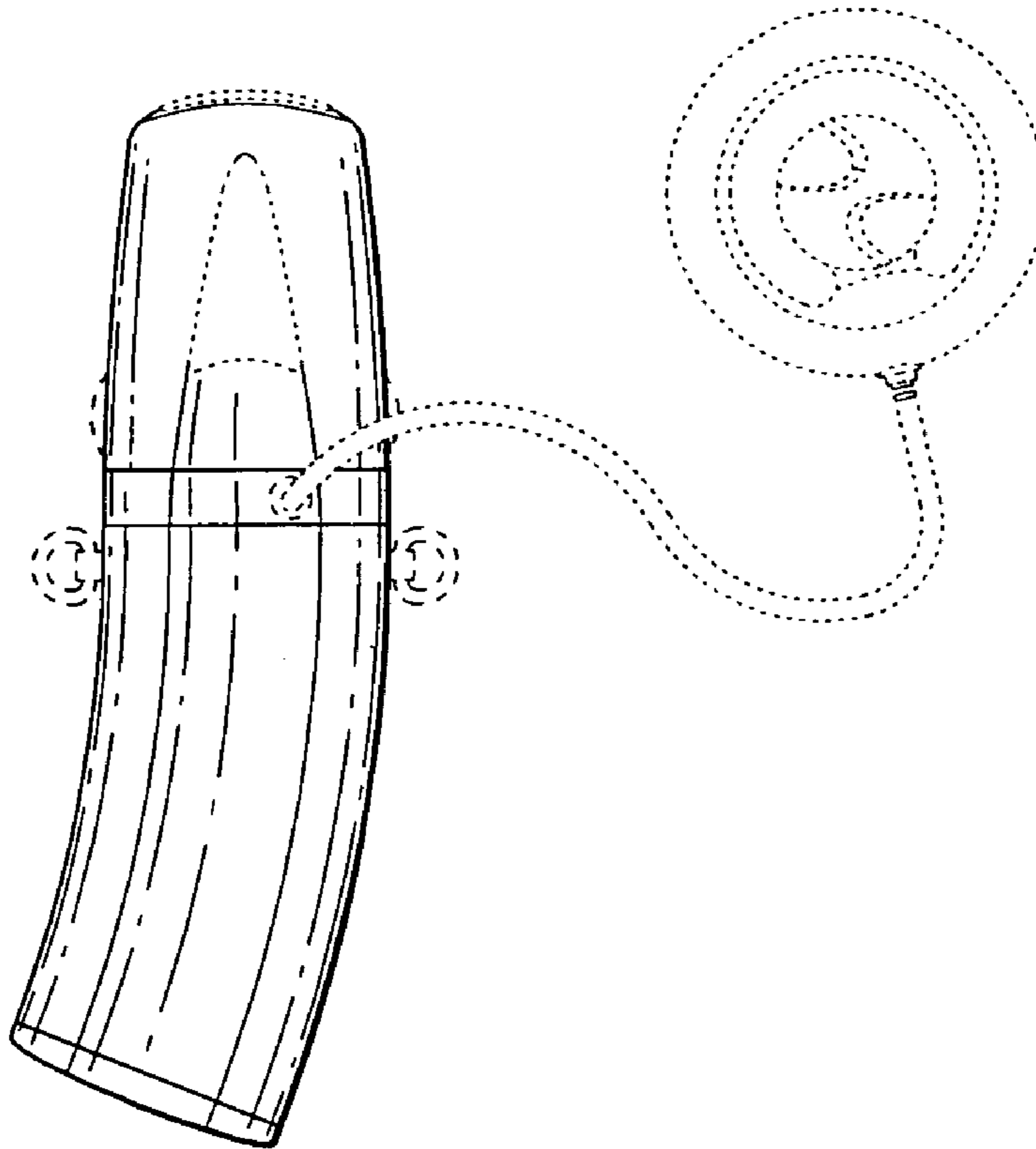


FIG. 6

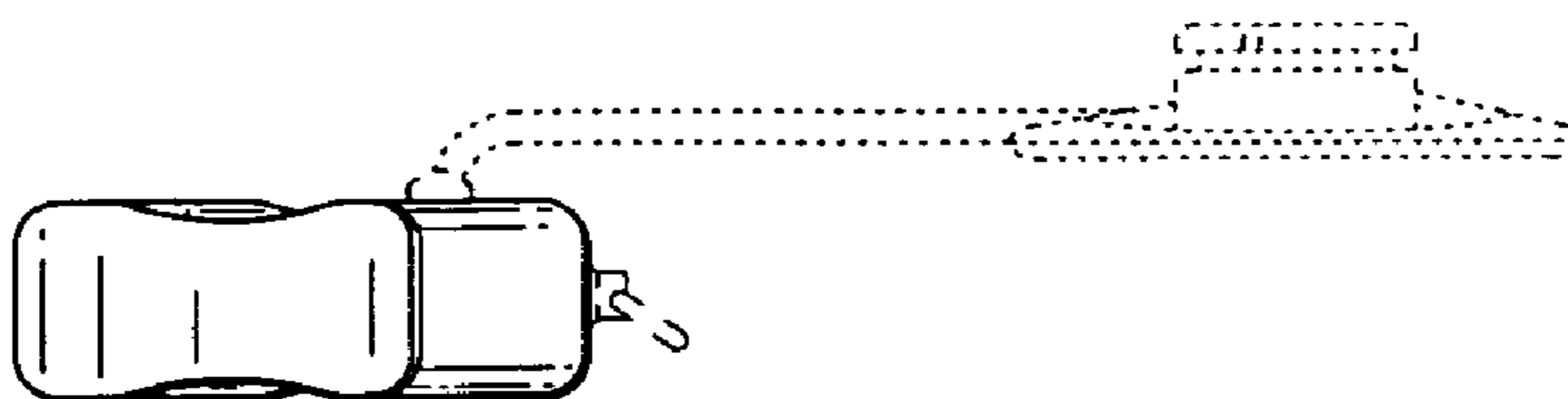


FIG. 7

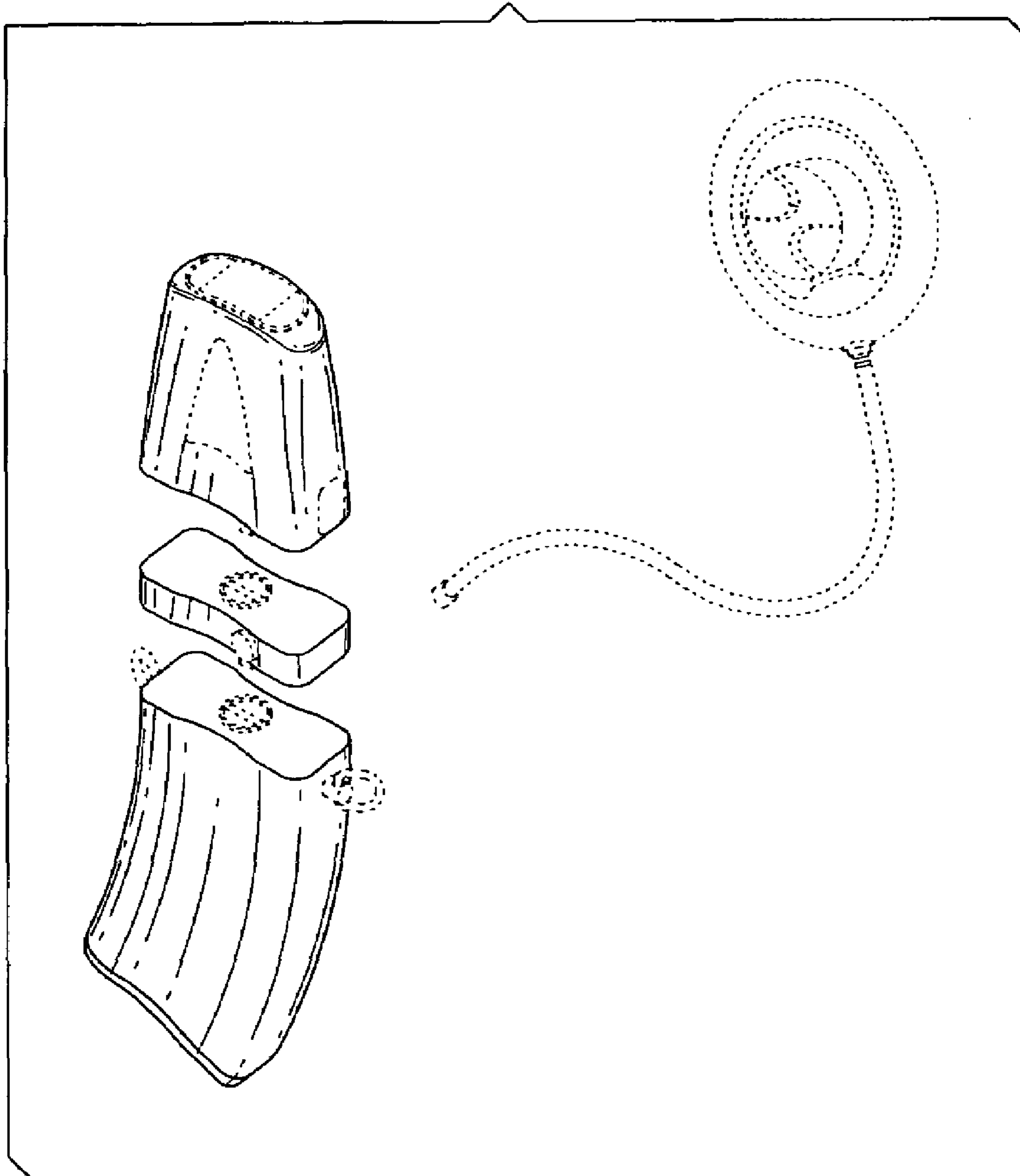


FIG. 8

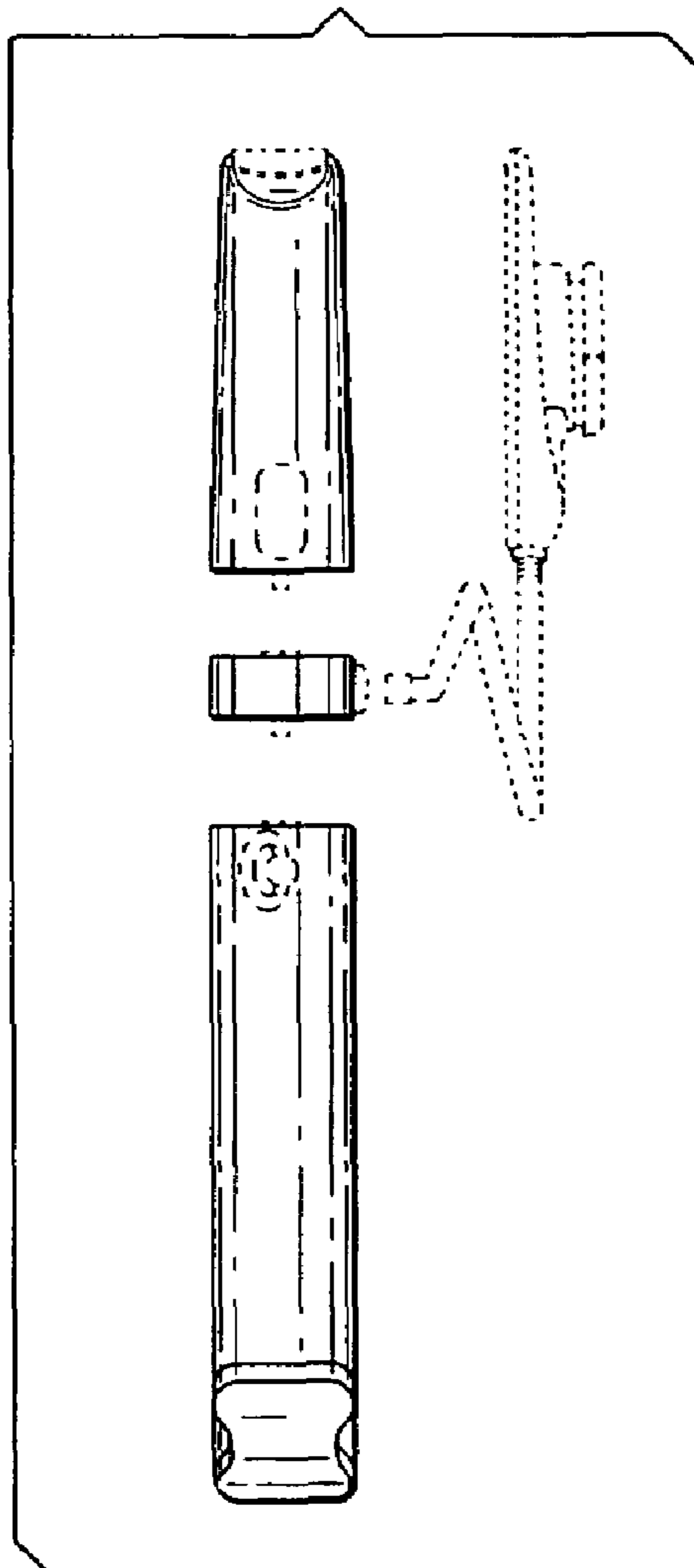


FIG. 9

