



US00D557418S

(12) **United States Design Patent**  
**Onuma et al.**

(10) **Patent No.:** **US D557,418 S**  
(45) **Date of Patent:** **\*\* Dec. 11, 2007**

(54) **POSITRON EMISSION TOMOGRAPHY MACHINE**

(75) Inventors: **Mitsuru Onuma**, Tokyo (JP); **Yoshiaki Amano**, Tama (JP); **Shigeru Kimura**, Hitachi (JP); **Fusaaki Kozawa**, Hitachi (JP)

(73) Assignee: **Hitachi, Ltd.**, Tokyo (JP)

(\*\*) Term: **14 Years**

(21) Appl. No.: **29/264,617**

(22) Filed: **Aug. 15, 2006**

(30) **Foreign Application Priority Data**

Jul. 13, 2006 (JP) ..... 2006-018505

(51) **LOC (8) Cl.** ..... **24-01**

(52) **U.S. Cl.** ..... **D24/158**

(58) **Field of Classification Search** ..... D24/158;  
378/4, 15, 17, 19, 20, 21-27, 6; 5/601, 611;  
600/476, 407, 425

See application file for complete search history.

(56) **References Cited**

**U.S. PATENT DOCUMENTS**

D399,958 S \* 10/1998 Hiramatsu ..... D24/158  
D414,868 S \* 10/1999 Baars ..... D24/158

6,839,402 B2 \* 1/2005 Stabe et al. .... 378/20  
6,914,957 B2 \* 7/2005 Dafni et al. .... 378/15  
D527,105 S \* 8/2006 Kitayama et al. .... D24/158  
7,111,984 B2 \* 9/2006 Kasuya ..... 378/4  
7,194,062 B2 \* 3/2007 Balan et al. .... 378/15  
7,212,848 B1 \* 5/2007 Wake et al. .... 378/4

\* cited by examiner

*Primary Examiner*—Antoine D. Davis

(74) *Attorney, Agent, or Firm*—Antonelli, Terry, Stout & Kraus, LLP.

(57) **CLAIM**

We claim the ornamental design for positron emission tomography machine, as shown.

**DESCRIPTION**

FIG. 1 is a front, top and right side perspective view of positron emission tomography machine showing our new design;

FIG. 2 is a front elevational view thereof;

FIG. 3 is a rear elevational view thereof.

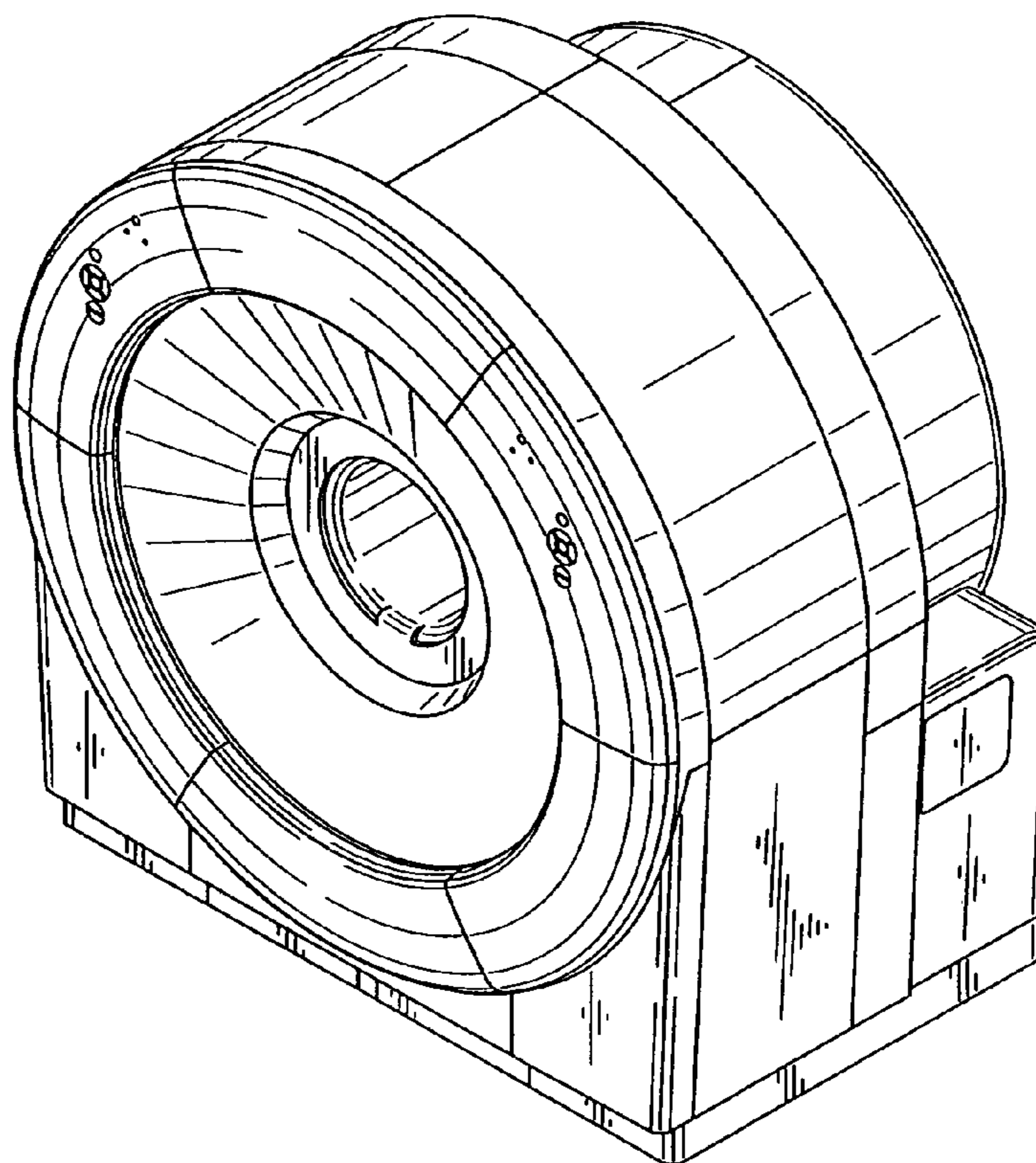
FIG. 4 is a right side elevational view thereof;

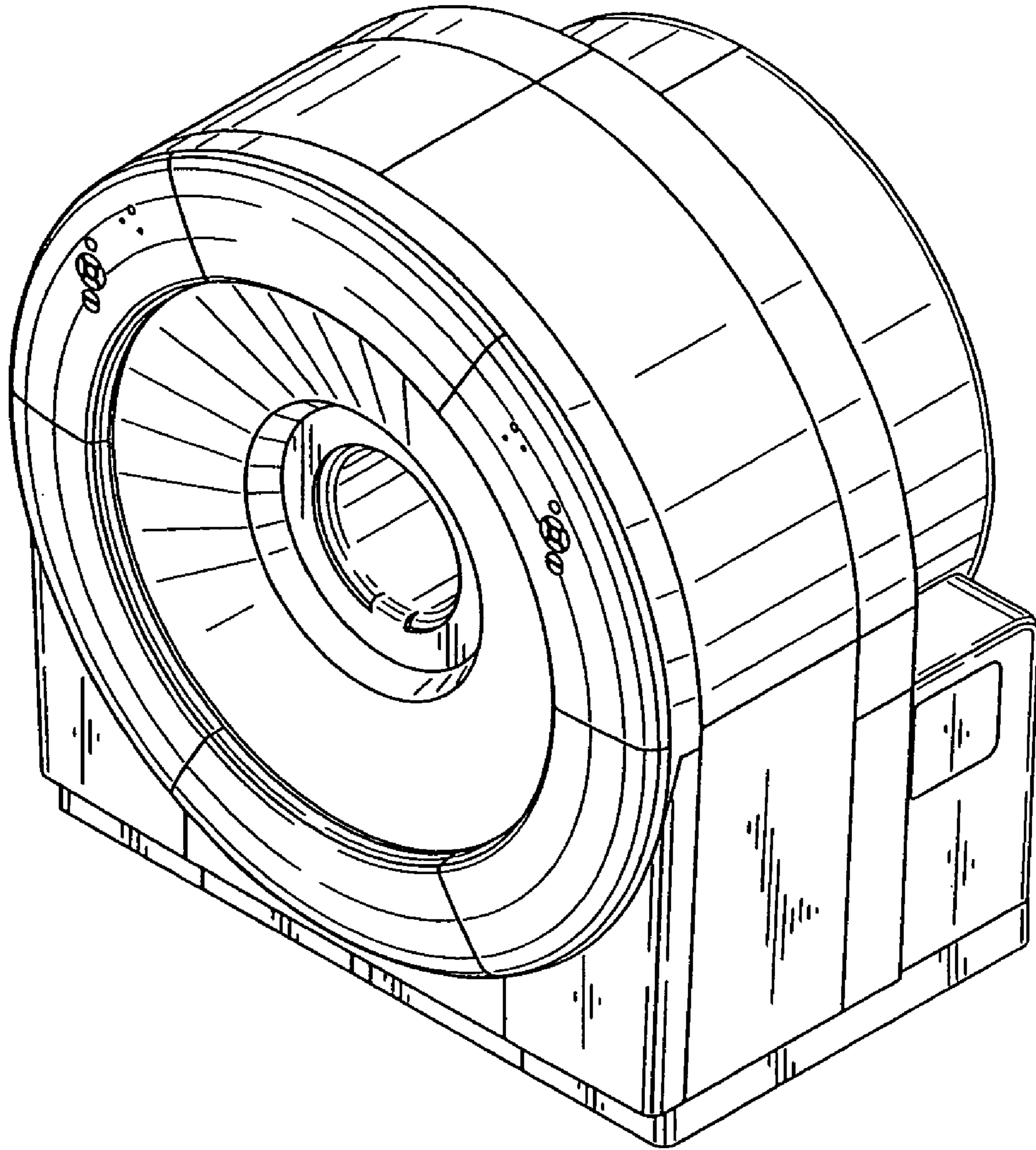
FIG. 5 is a left side elevational view thereof;

FIG. 6 is a top plan view thereof; and,

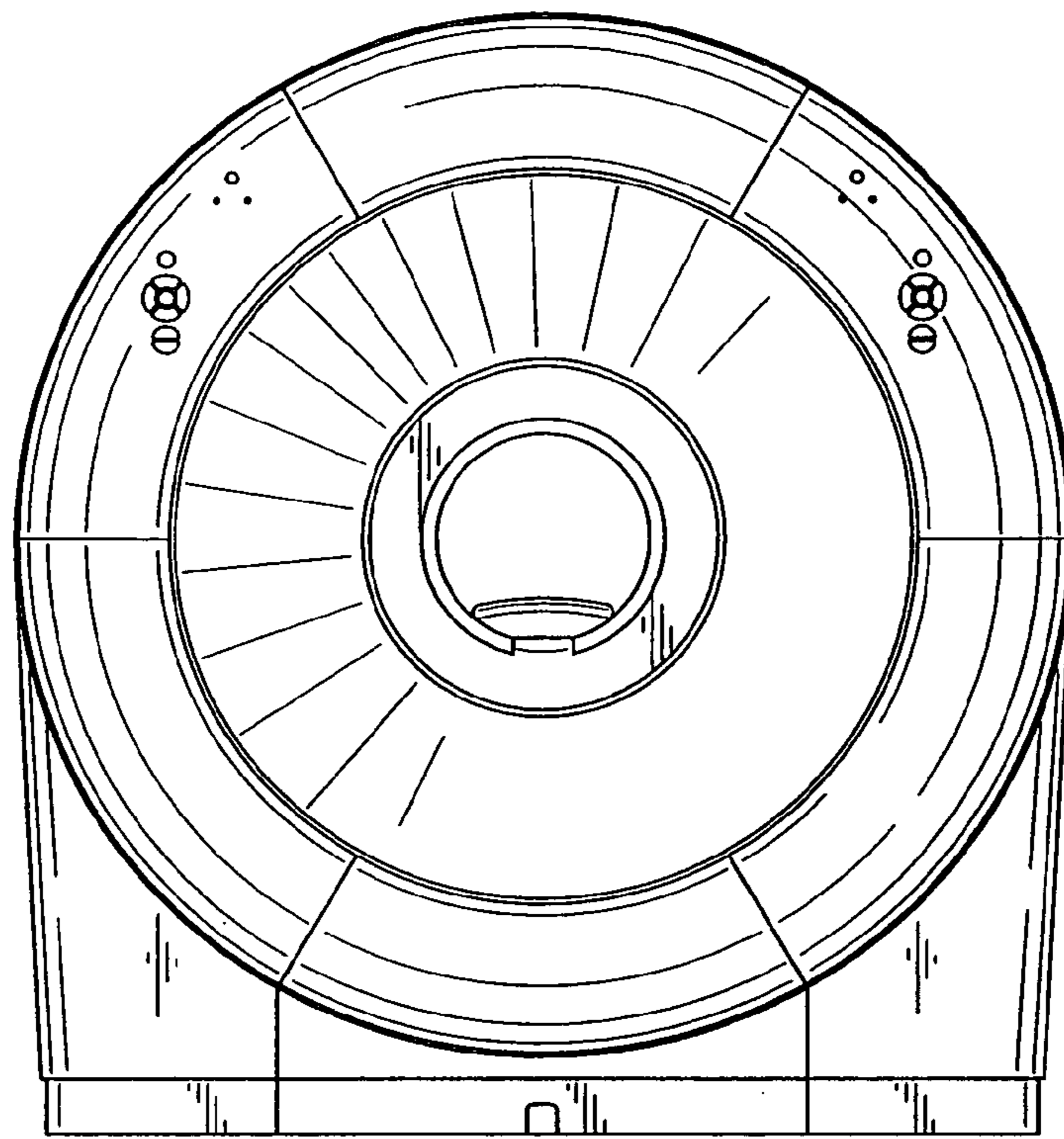
FIG. 7 is a bottom plan view thereof.

**1 Claim, 4 Drawing Sheets**

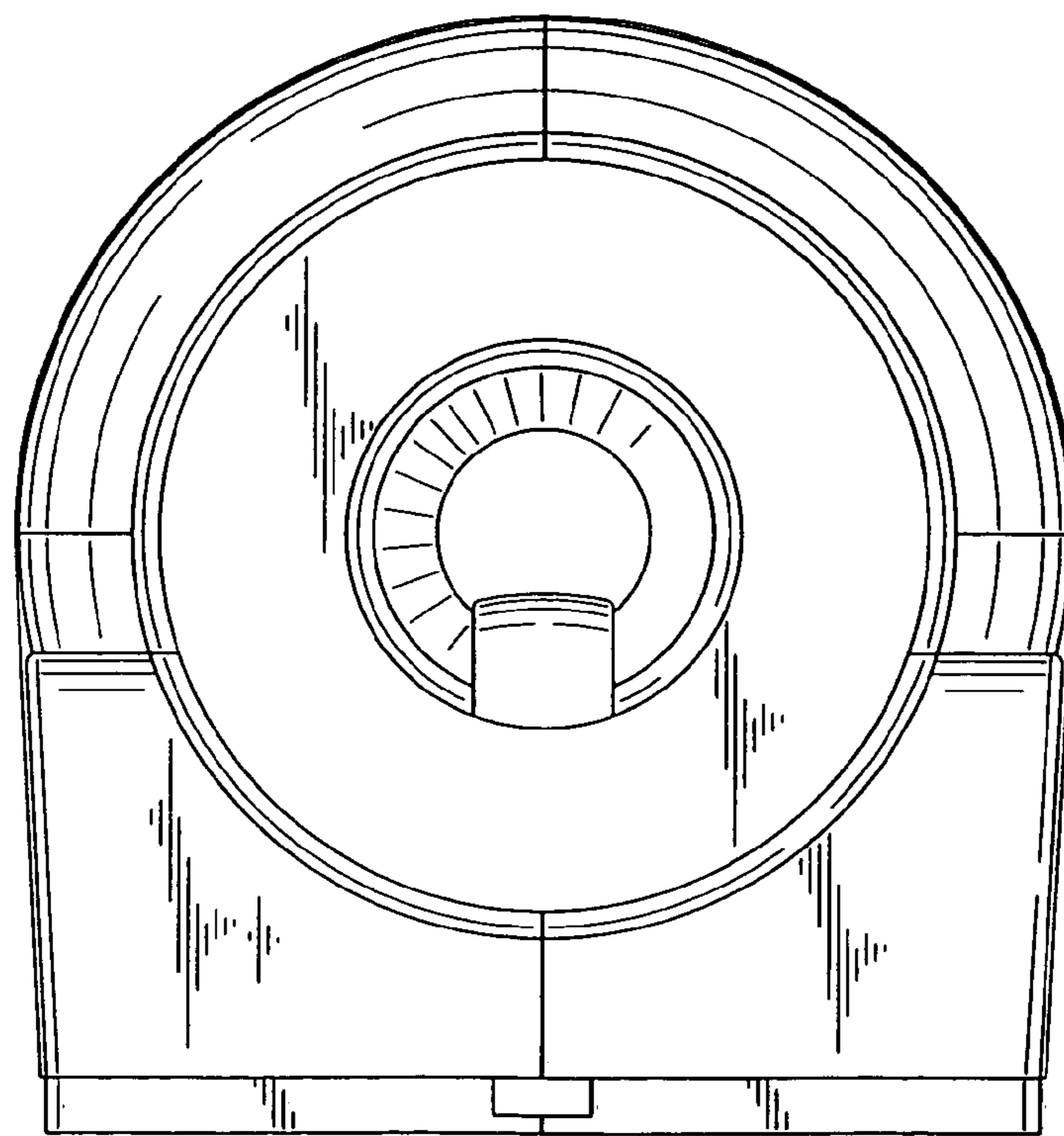




*FIG. 1*



*FIG. 2*



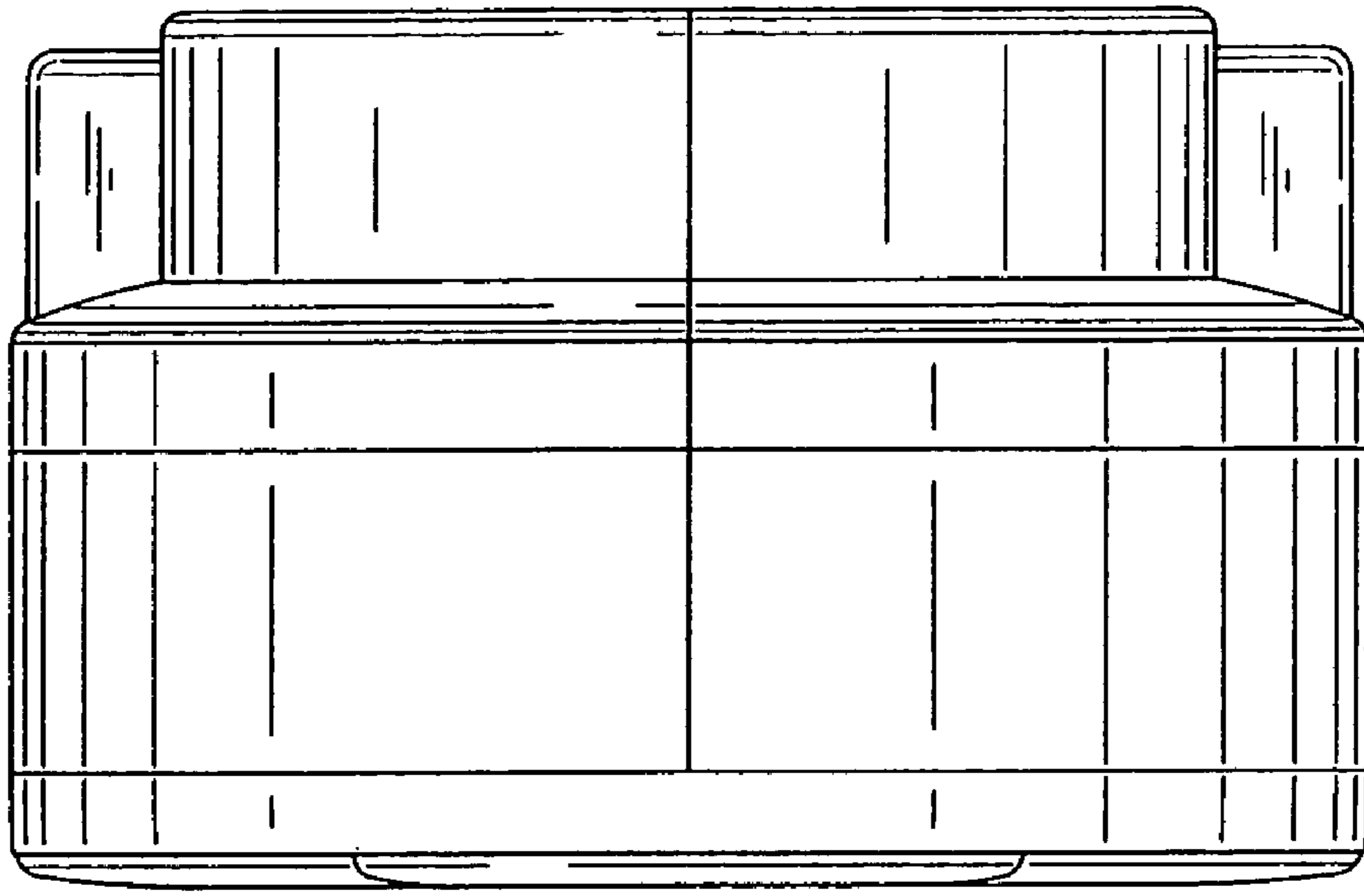
*FIG. 3*



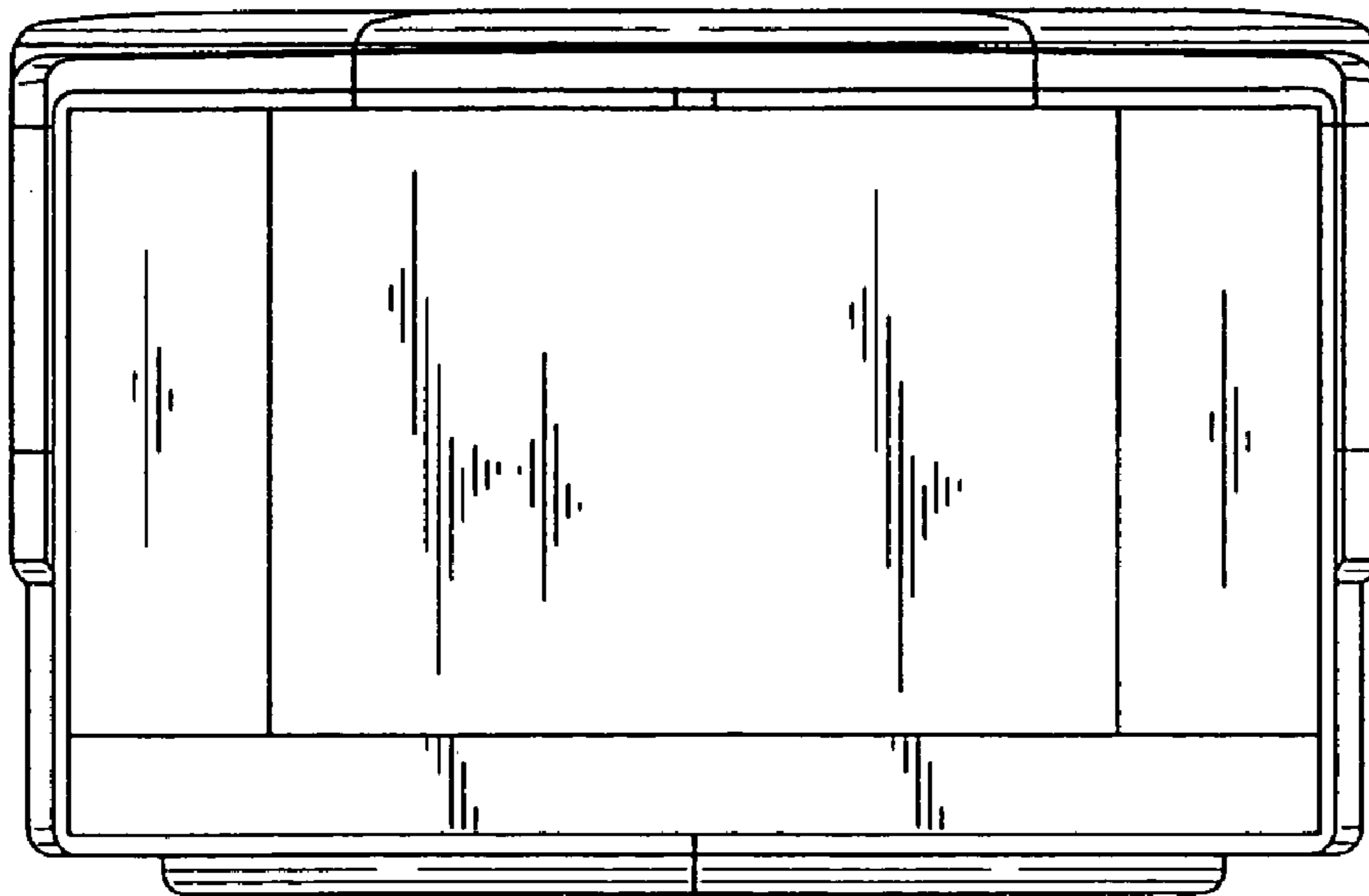
*FIG. 4*



*FIG. 5*



*FIG. 6*



*FIG. 7*