



US00D557413S

(12) **United States Design Patent**  
**Buermann**

(10) **Patent No.:** **US D557,413 S**

(45) **Date of Patent:** **\*\* Dec. 11, 2007**

(54) **EMISIS BASIN**

(76) Inventor: **Henry Buermann**, 275 Woods Rd.,  
Brookfield, VT (US) 05036

(\*\*) Term: **14 Years**

(21) Appl. No.: **29/285,752**

(22) Filed: **Apr. 9, 2007**

(51) **LOC (8) Cl.** ..... **24-04**

(52) **U.S. Cl.** ..... **D24/123**

(58) **Field of Classification Search** ..... D24/123,  
D24/122, 121; D23/293.1, 295, 284; D7/354,  
D7/550.1; 4/450, 451, 223, 263; 220/571,  
220/912, DIG. 13; 119/61.5, 51.01, 72;  
206/541, 546, 547, 423; D11/143, 152; 604/317,  
604/132

See application file for complete search history.

(56) **References Cited**

**U.S. PATENT DOCUMENTS**

757,645	A *	4/1904	Bassett	.....	220/DIG. 13
1,061,769	A *	5/1913	Meinecke	.....	604/317
D44,448	S *	8/1913	Meinecke	.....	D24/123
D46,262	S *	8/1914	Meinecke	.....	D24/123
D154,272	S *	6/1949	Heim	.....	D7/550.1
3,073,061	A *	1/1963	Pearson	.....	D11/143
D245,922	S *	9/1977	Mills	.....	D24/123
D251,202	S *	2/1979	Charewicz	.....	D24/123

4,450,966	A *	5/1984	Villavicencio et al.	.....	206/547
4,925,047	A *	5/1990	Valentine et al.	....	220/DIG. 13
D347,058	S *	5/1994	Valentine	.....	D24/123
5,492,533	A *	2/1996	Kriesel	.....	604/132
D402,509	S *	12/1998	Indekeu	.....	D7/550.1
D430,458	S *	9/2000	Kellermann	.....	D7/354
D433,109	S *	10/2000	Wilke et al.	.....	D23/284
6,210,382	B1 *	4/2001	Hogg	.....	604/317
7,000,566	B2 *	2/2006	Fort, II	.....	119/72

\* cited by examiner

*Primary Examiner*—Ian Simmons

*Assistant Examiner*—David G Muller

(74) *Attorney, Agent, or Firm*—Kevin Ellicott, Esq

(57) **CLAIM**

The ornamental design for an emisis basin, as shown.

**DESCRIPTION**

FIG. 1 is a perspective view showing the top, front side and left side of my emisis basin design.

FIG. 2 is a front elevational view of thereof.

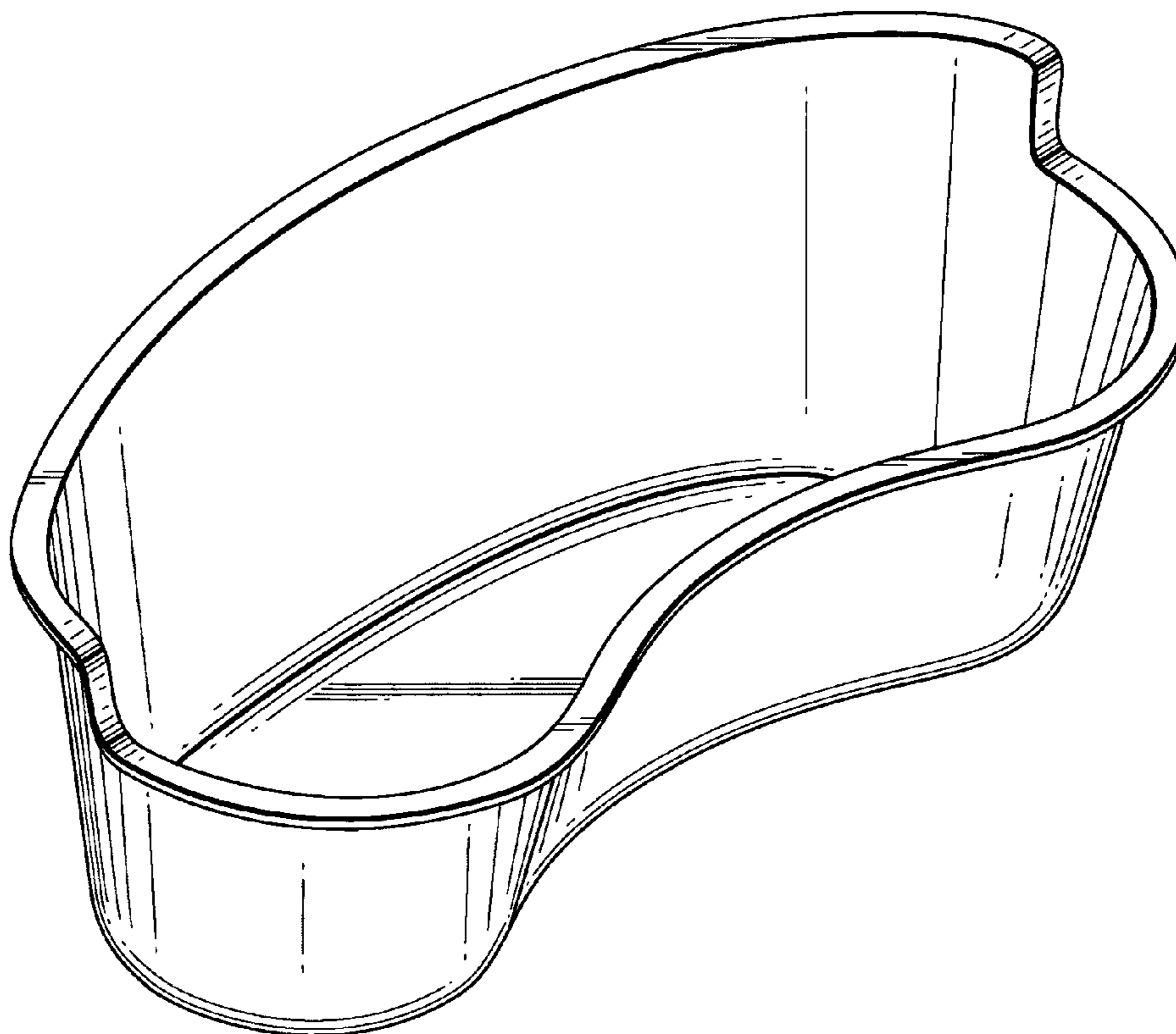
FIG. 3 is a rear elevational view thereof.

FIG. 4 is a right side elevational view thereof.

FIG. 5 is a overhead view thereof; and,

FIG. 6 is a bottom view thereof.

**1 Claim, 6 Drawing Sheets**



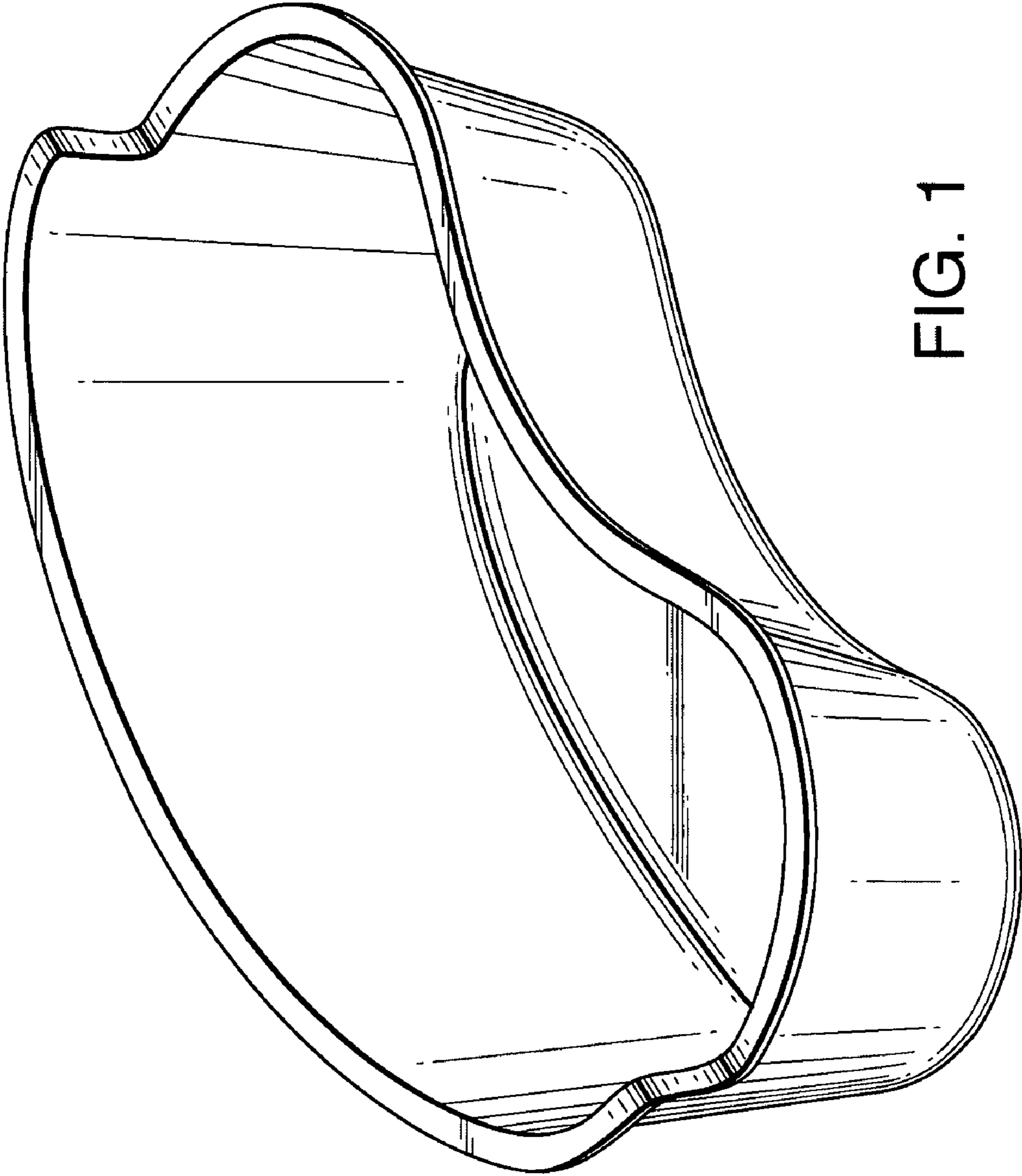


FIG. 1

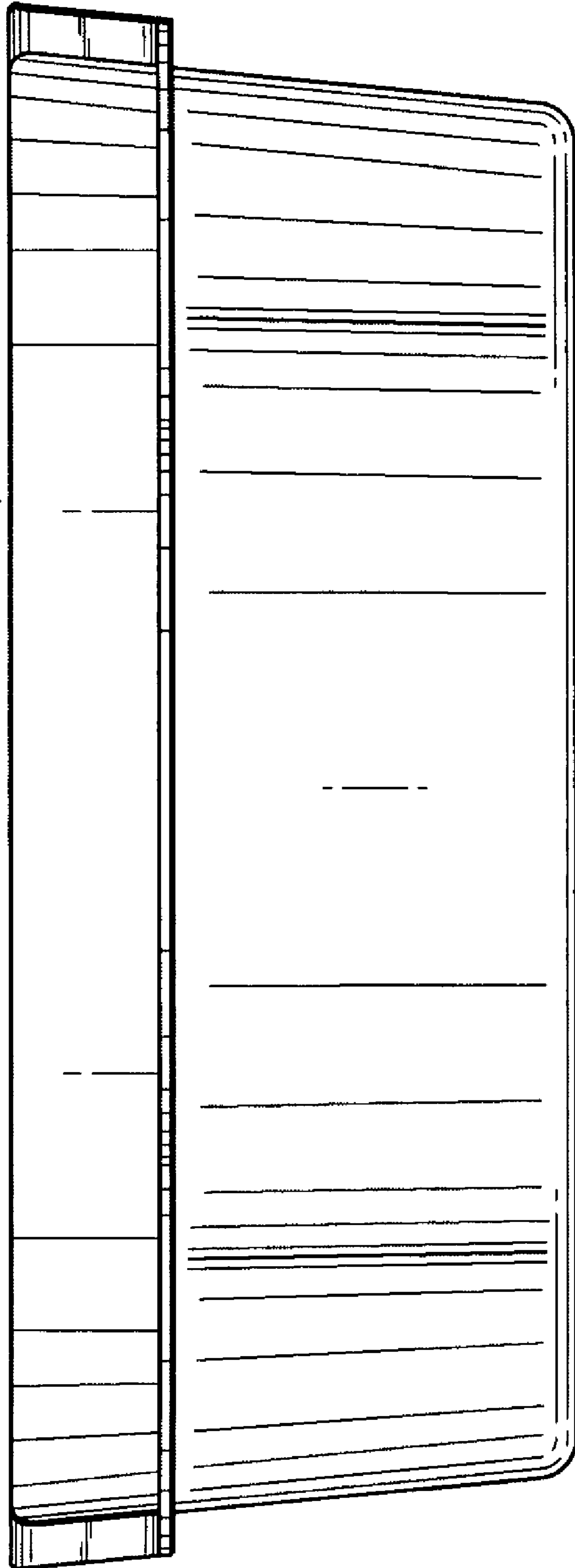


FIG. 2

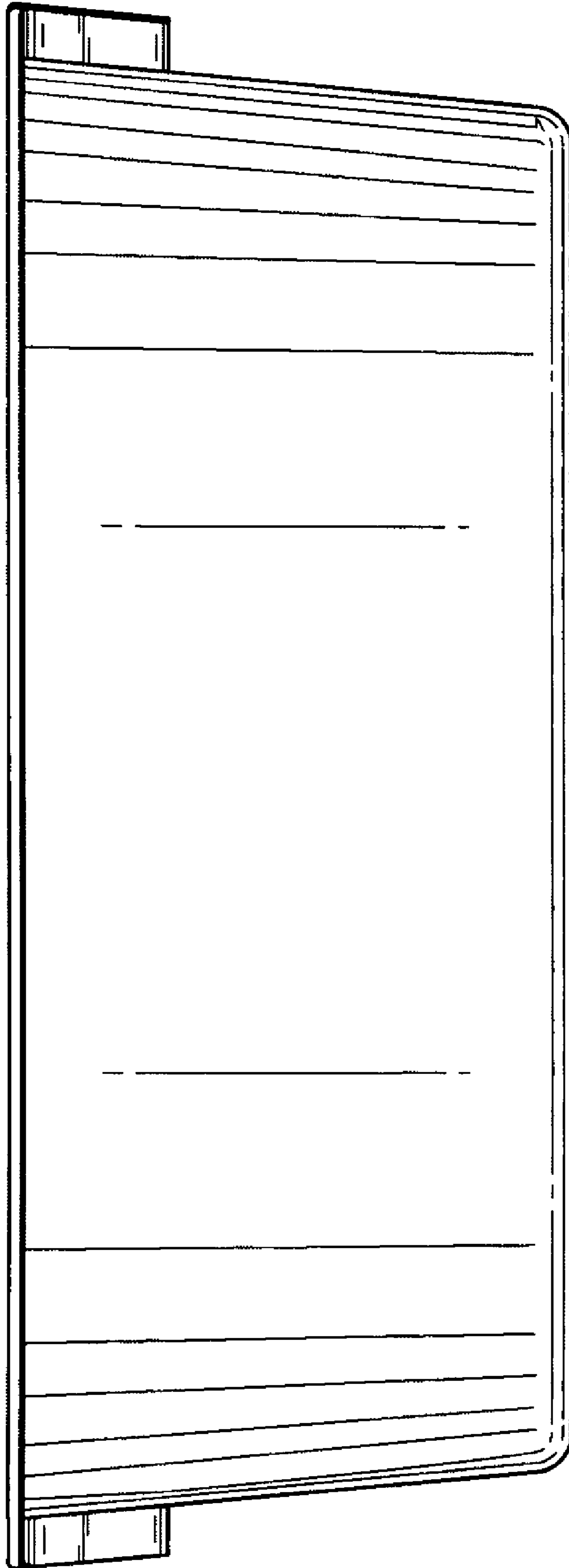


FIG. 3

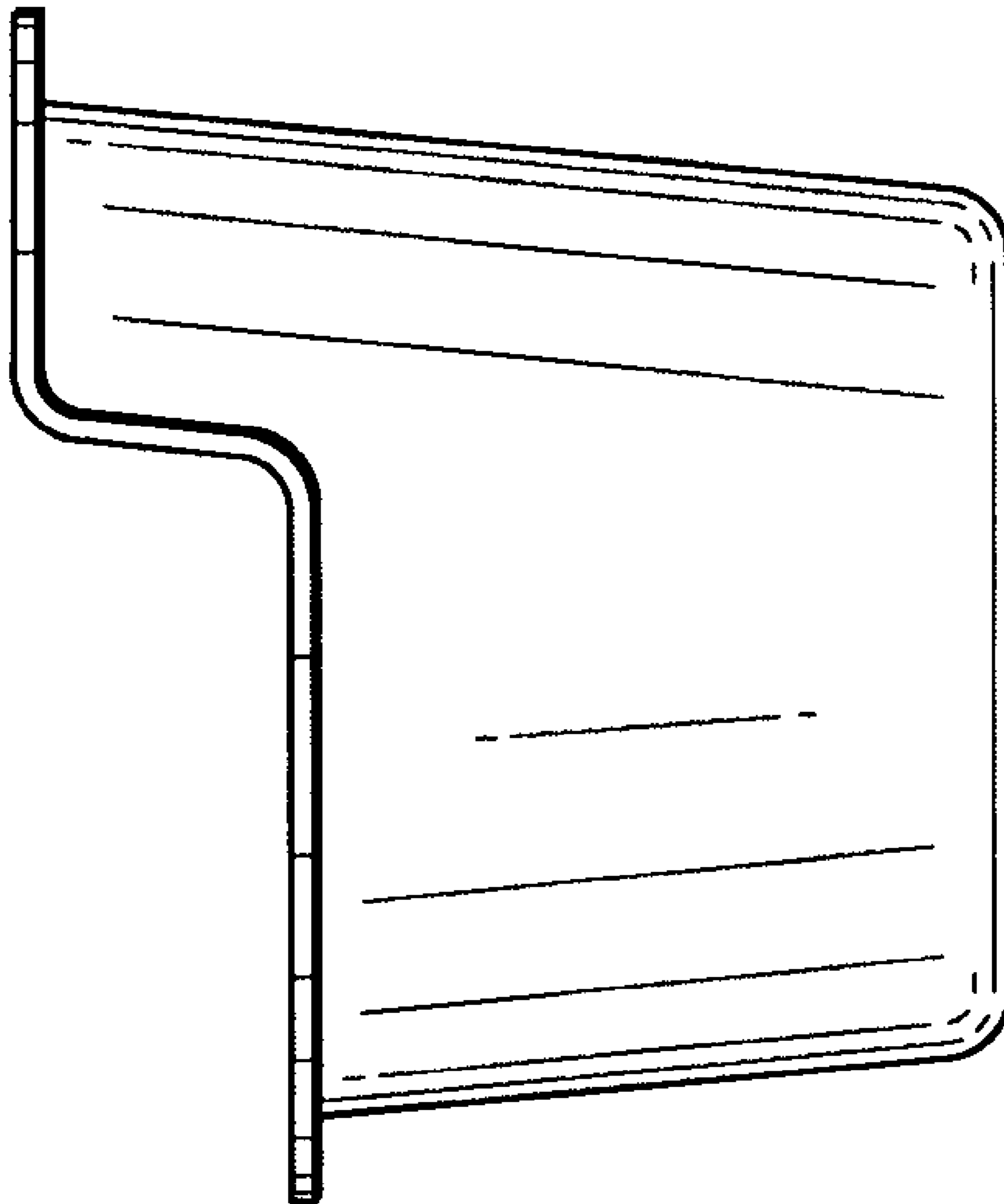


FIG. 4

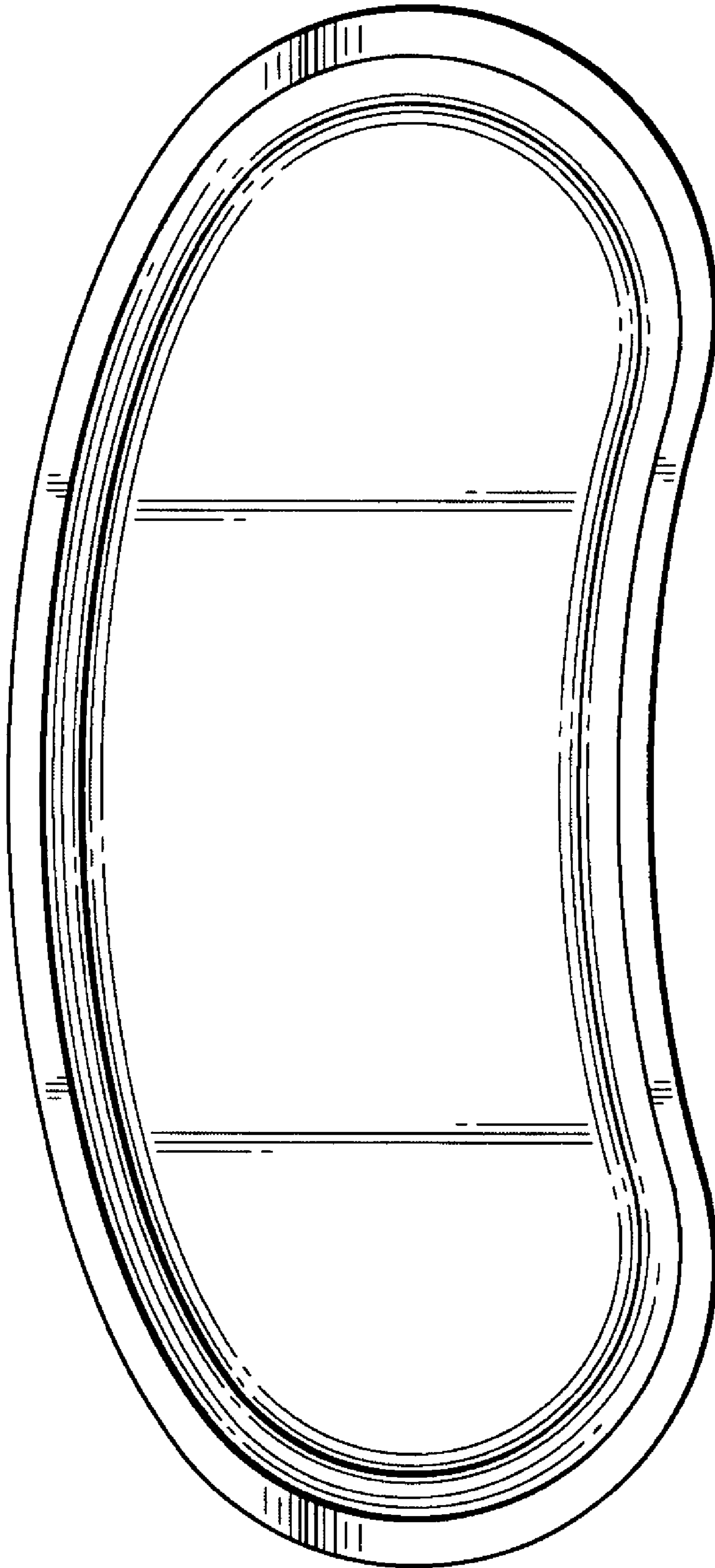


FIG. 5

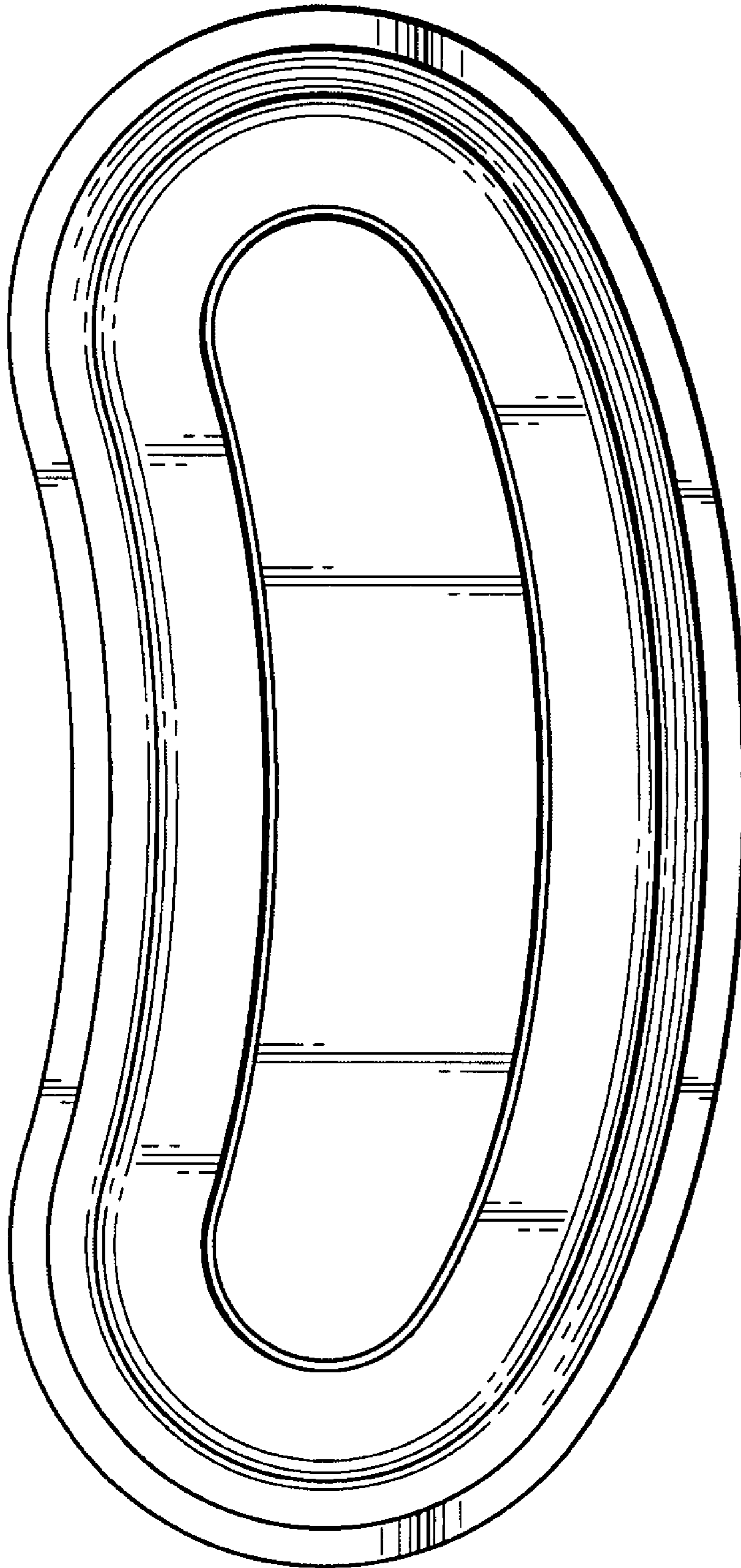


FIG. 6