



US00D557411S

(12) **United States Design Patent**
Smart et al.

(10) **Patent No.:** **US D557,411 S**

(45) **Date of Patent:** **** Dec. 11, 2007**

(54) **FULL FACE MASK**

(75) Inventors: **Gregory Scott Smart**, Randwick (AU);
David John Worboys, Belrose (AU);
Anthony Michael Ging, Vancouver
(CA); **Muditha Pradeep**
Dantanarayana, Cherrybrook (AU);
John Michael Snow, Cremorne (AU);
Philip Thomas Stallard, Denistone
East (AU); **Milind Chandrakant Raje**,
Wentworthville (AU)

D459,800 S	7/2002	Smart
D464,728 S	10/2002	Paul
6,467,483 B1	10/2002	Kopacko
6,513,526 B2	2/2003	Kwok
D476,732 S	7/2003	Smart
6,584,977 B1	7/2003	Serowski
6,691,707 B1	2/2004	Gunaratnam
6,851,425 B2	2/2005	Jaffre
D506,827 S	6/2005	Jones et al.
D515,204 S	2/2006	Guney et al.
D535,023 S	1/2007	Smart et al.
2003/0196657 A1	10/2003	Ging

(73) Assignee: **ResMed Limited**, Bella Vista (AU)

Primary Examiner—Ian Simmons

Assistant Examiner—Christopher Lee

(**) Term: **14 Years**

(74) *Attorney, Agent, or Firm*—Nixon & Vanderhye P.C.

(21) Appl. No.: **29/267,092**

(57) **CLAIM**

(22) Filed: **Oct. 5, 2006**

The ornamental design for a full face mask, as shown.

Related U.S. Application Data

DESCRIPTION

(62) Division of application No. 29/216,698, filed on Nov. 8, 2004, now Pat. No. Des. 535,023.

FIG. 1 is a perspective view of a mask according to an embodiment of our design;

(51) **LOC (8) Cl.** **29-02**

FIG. 2 is a front view thereof;

(52) **U.S. Cl.** **D24/110.1; D24/110.4**

FIG. 3 is a rear view thereof;

(58) **Field of Classification Search** D24/110.1,
D24/110.4, 110.5, 164; 128/205.25, 207.11,
128/207.13, 206.26, 206.27

FIG. 4 is a top view thereof;

See application file for complete search history.

FIG. 5 is a bottom view thereof;

FIG. 6 is a left side view thereof; and,

FIG. 7 is a right side view thereof.

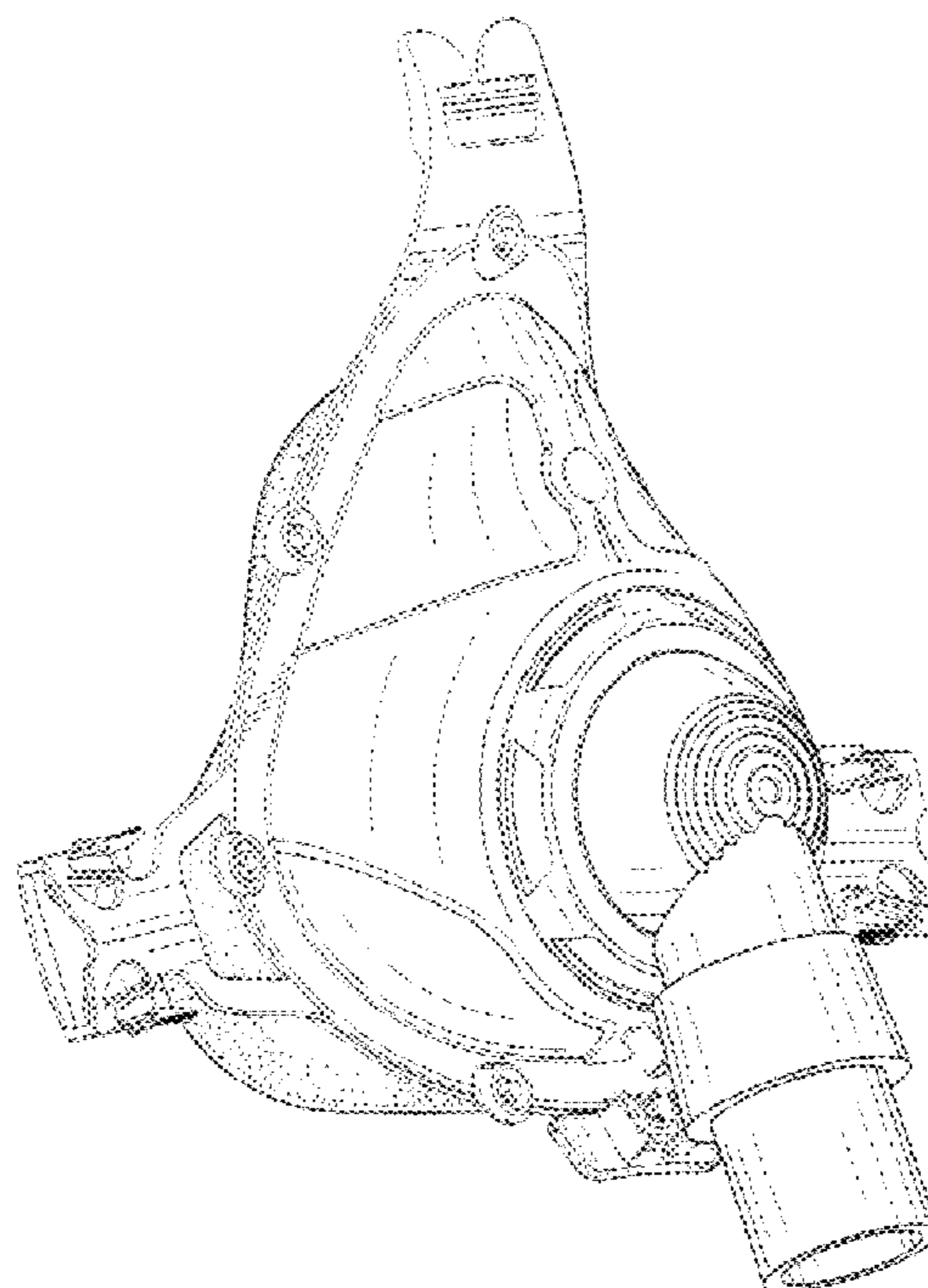
(56) **References Cited**

Where included, the use of stippling is intended to denote shading.

U.S. PATENT DOCUMENTS

D428,139 S	7/2000	Smart
D428,988 S	8/2000	Smart

1 Claim, 5 Drawing Sheets



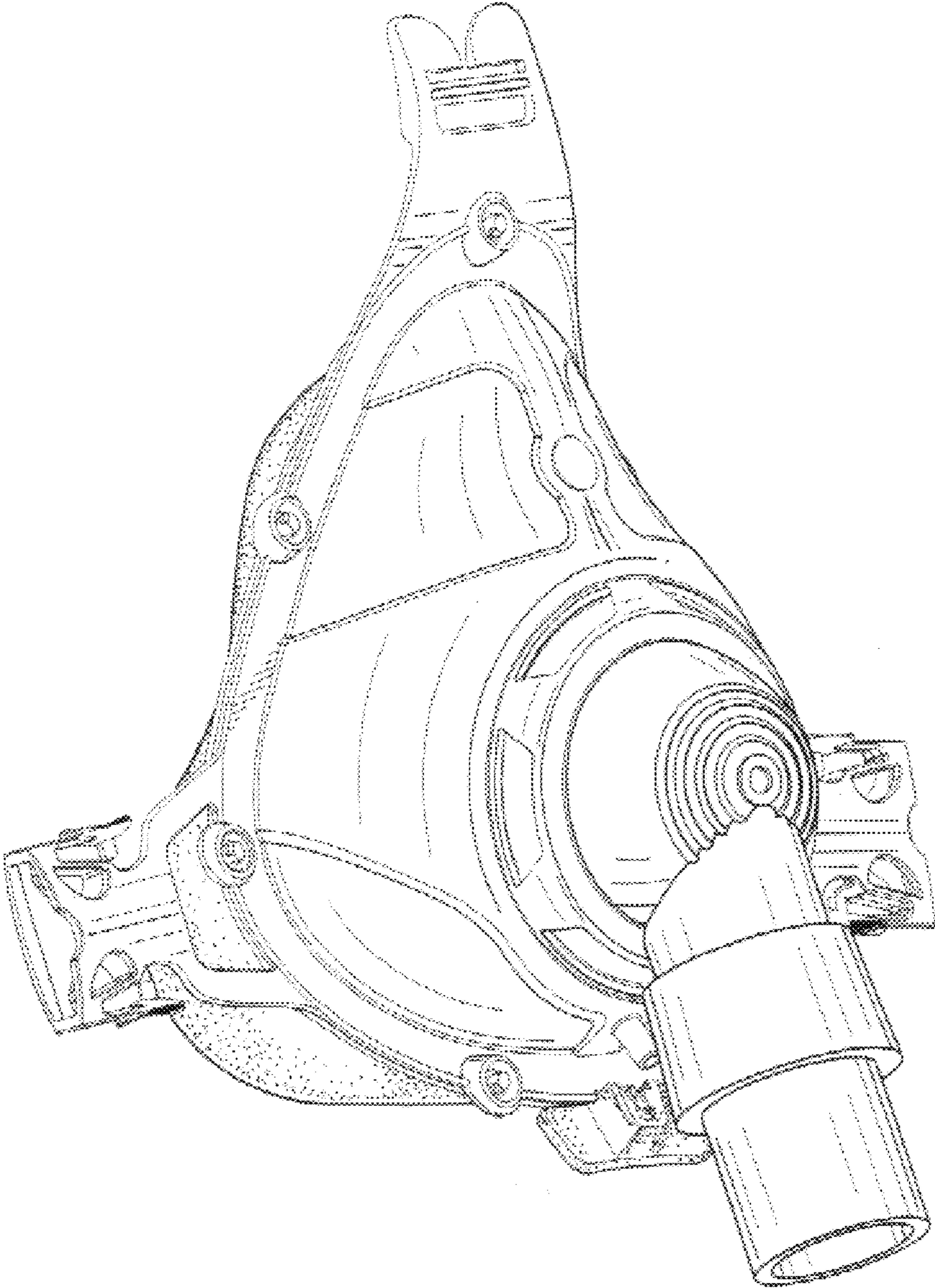


Fig. 1

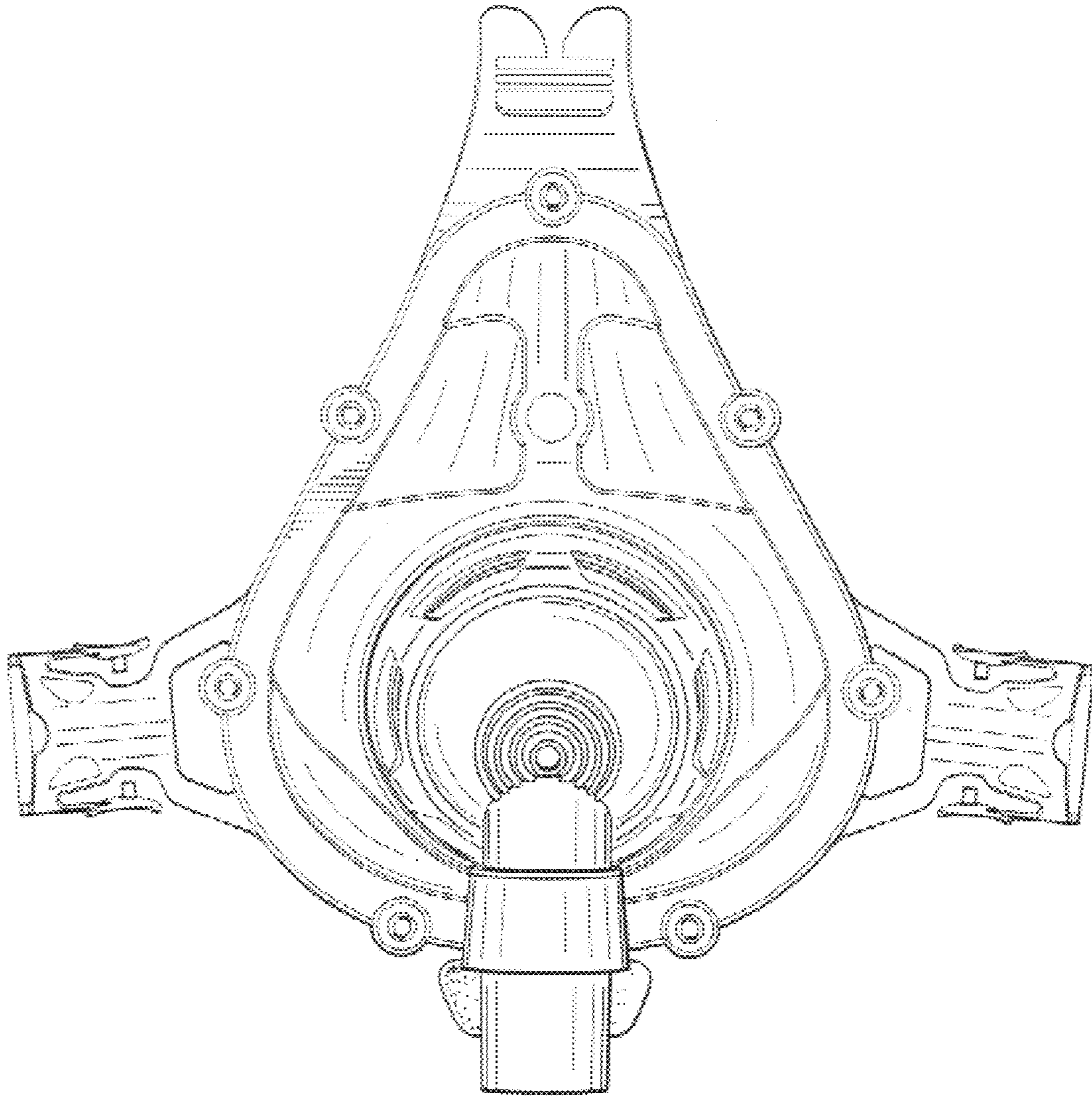


Fig. 2

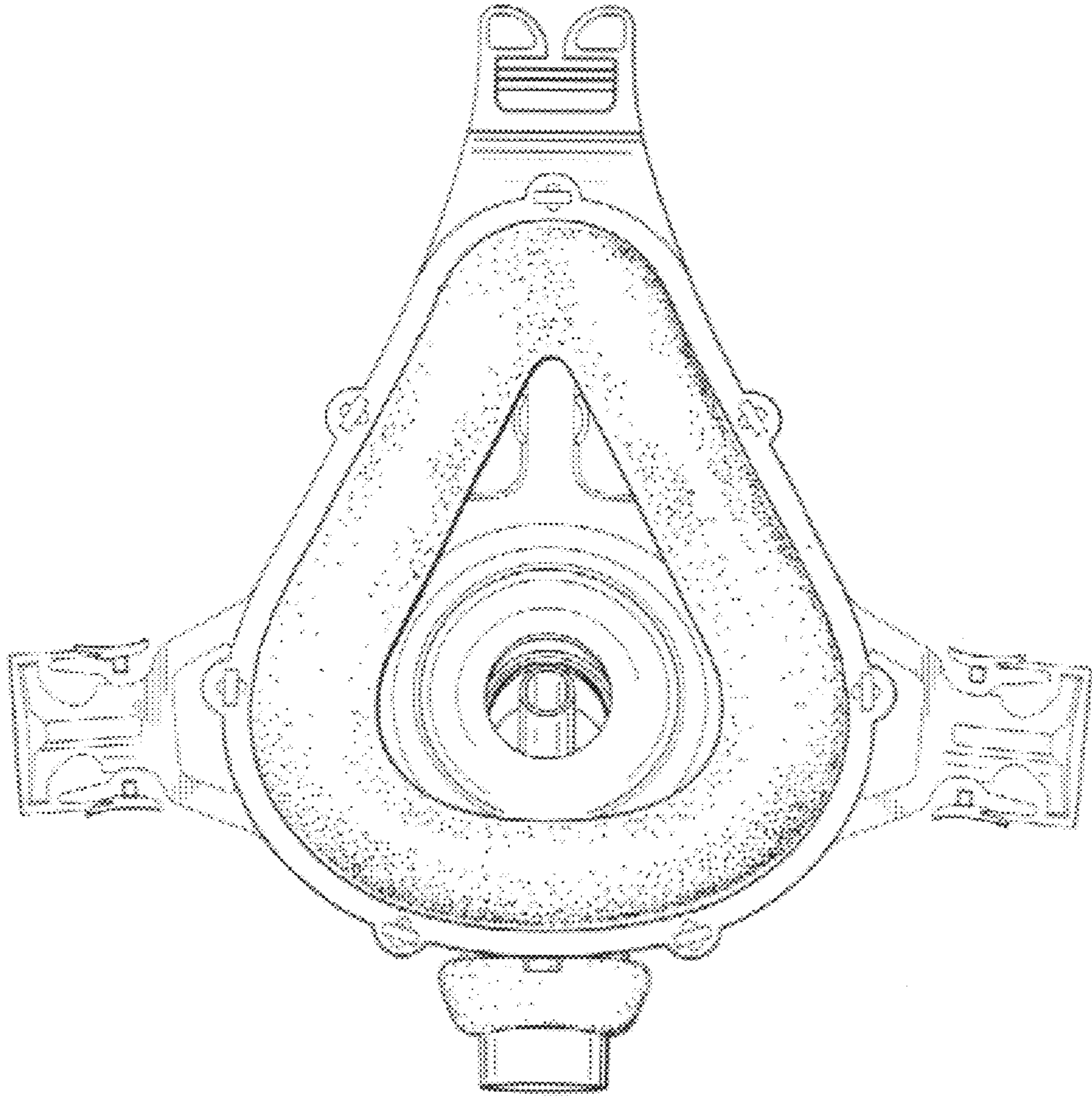


Fig. 3

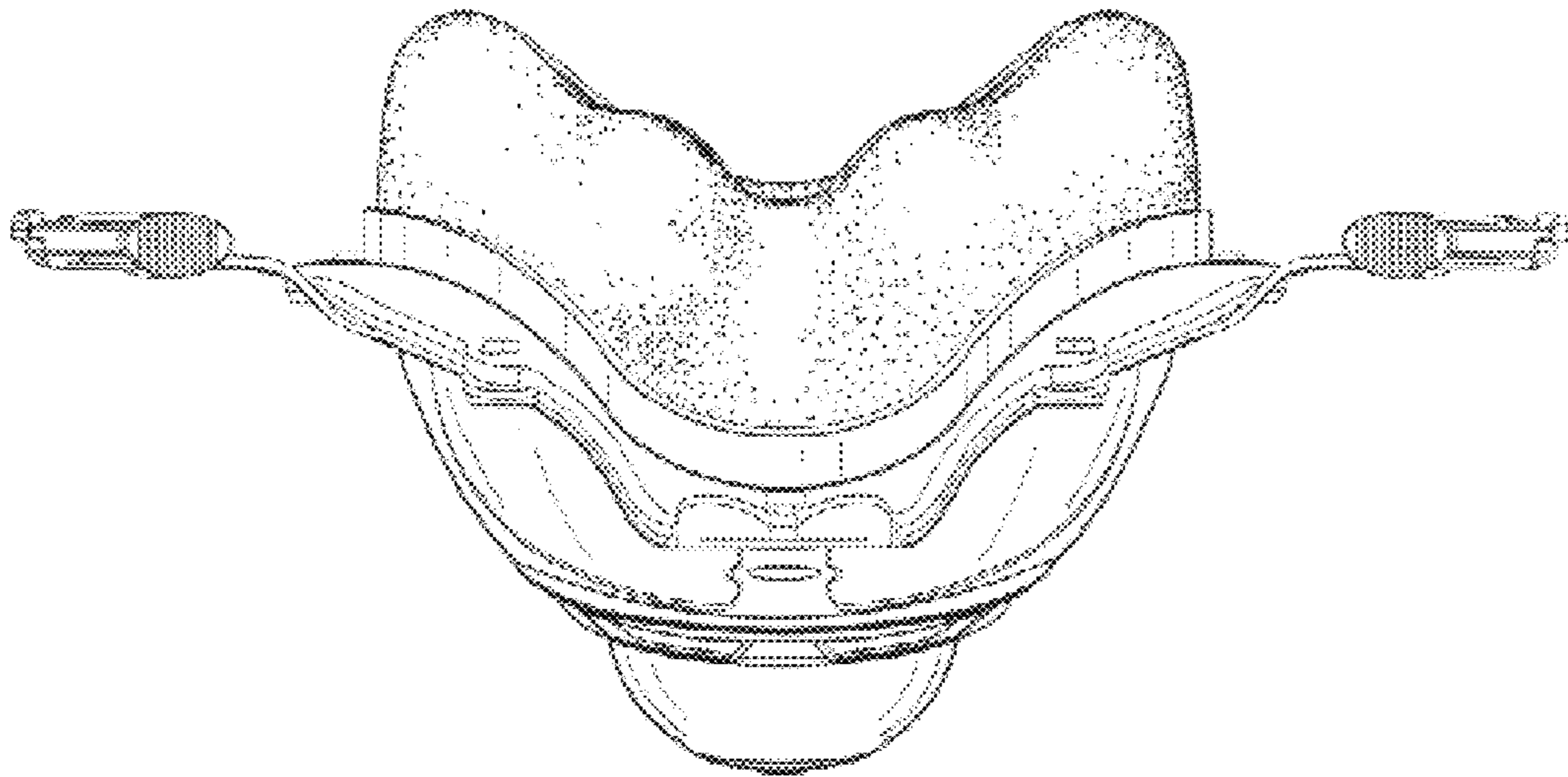


Fig. 4

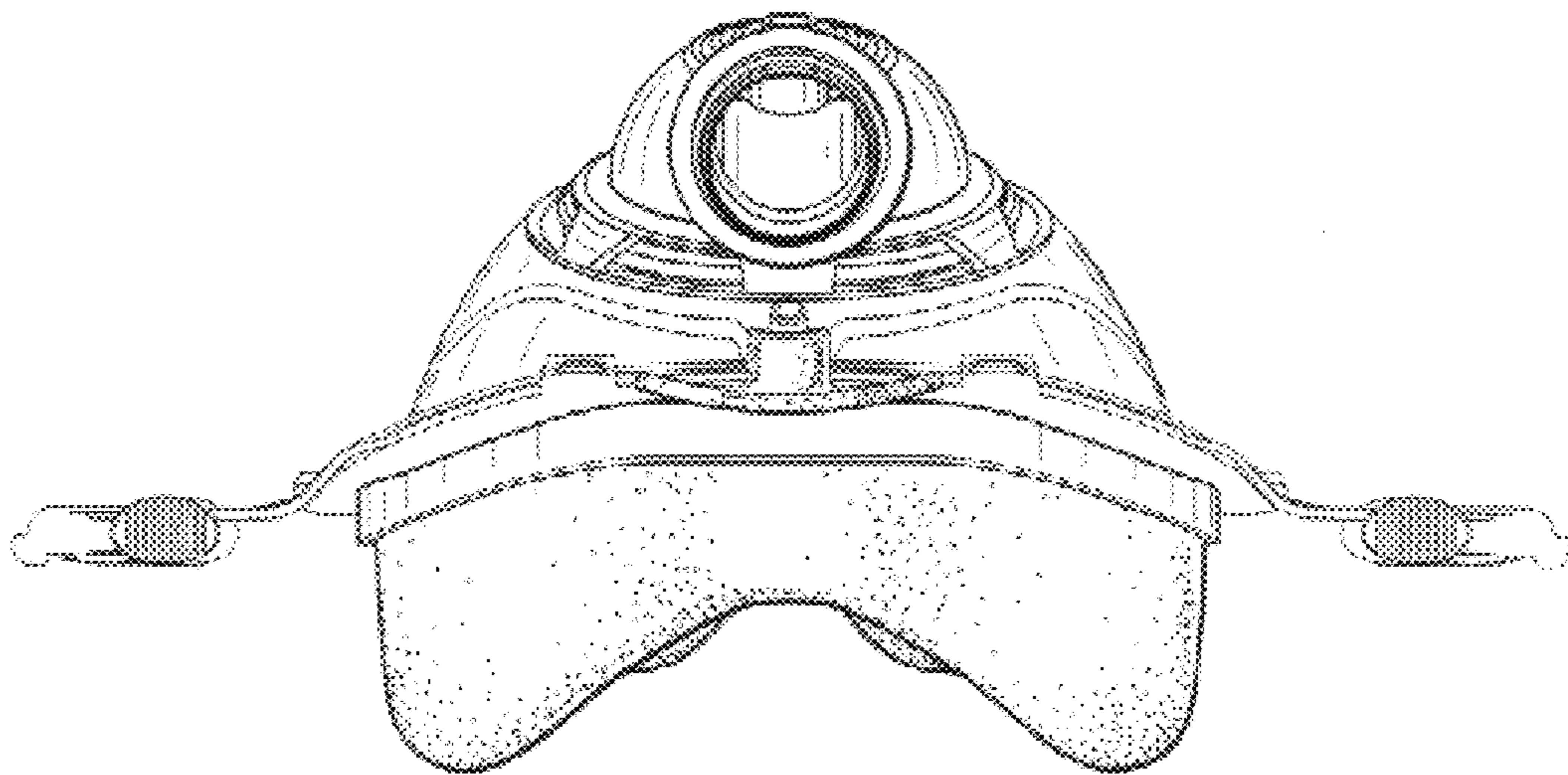


Fig. 5

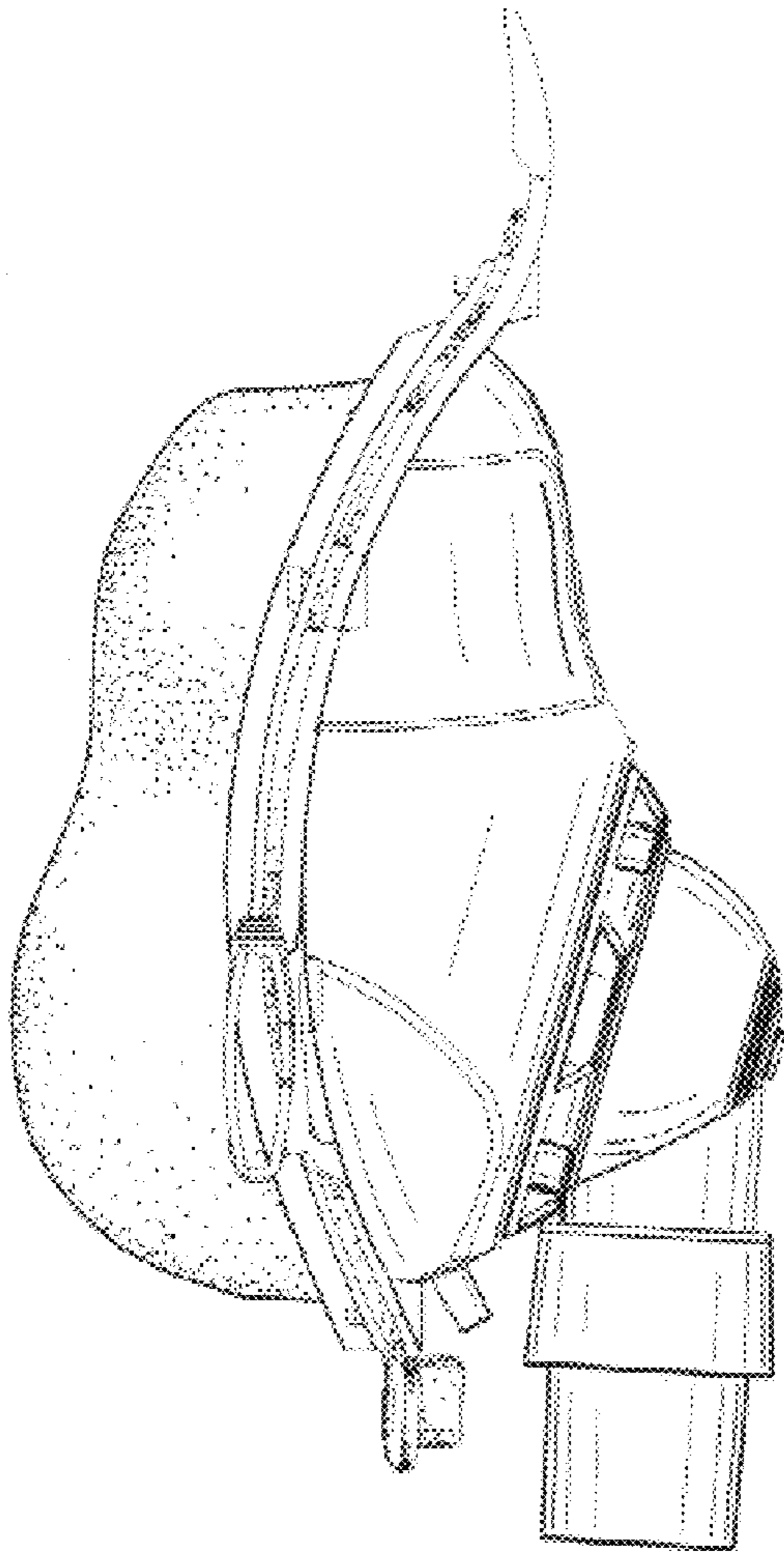


Fig. 6

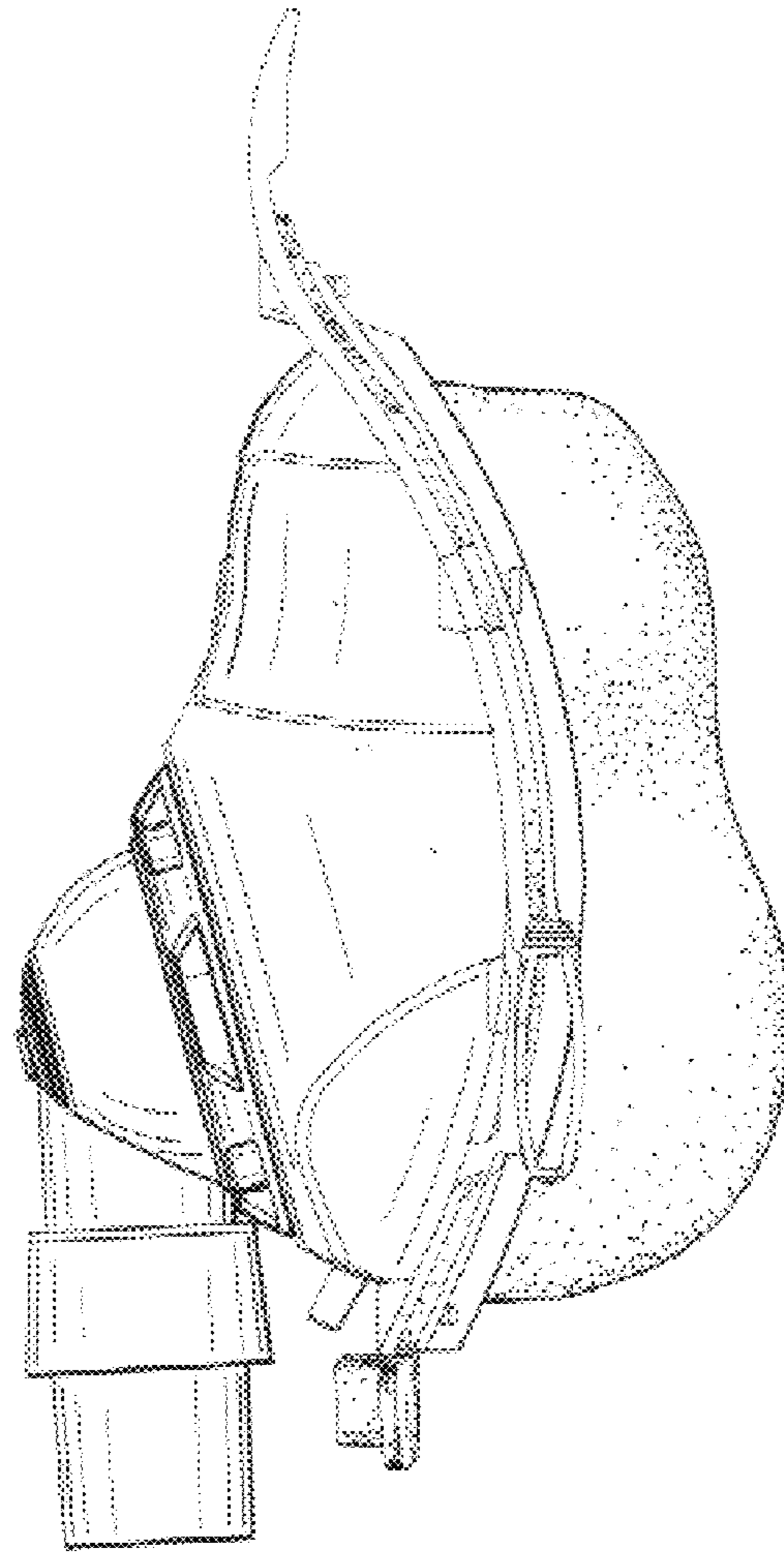


Fig. 7