



US00D557410S

(12) **United States Design Patent**  
**Guney et al.**

(10) **Patent No.:** **US D557,410 S**

(45) **Date of Patent:** **\*\* Dec. 11, 2007**

(54) **CLIP**

(75) Inventors: **Memduh Guney**, Killara (AU); **Robin Garth Hitchcock**, North Parramatta (AU); **Lee James Veliss**, West Ryde (AU); **Richard Sokolov**, Earlwood (AU)

(73) Assignee: **ResMed Limited**, Bella Vista (AU)

(\*\*) Term: **14 Years**

(21) Appl. No.: **29/265,327**

(22) Filed: **Aug. 30, 2006**

**Related U.S. Application Data**

(62) Division of application No. 29/213,882, filed on May 28, 2004, now Pat. No. Des. 542,912.

(51) **LOC (8) Cl.** ..... **29-02**

(52) **U.S. Cl.** ..... **D24/110.1; D24/110.4; D24/110.5**

(58) **Field of Classification Search** ..... D24/110, D24/110.1-110.5; 128/206.11, 207.13, 207.15, 128/207.16, 207.17, 207.18, 206.24, 205.25, 128/204.11

See application file for complete search history.

(56) **References Cited**

**U.S. PATENT DOCUMENTS**

2,763,263 A 9/1956 Ellman  
3,513,844 A 5/1970 Smith

4,782,832 A 11/1988 Trimble et al.  
6,119,694 A 9/2000 Correa et al.  
6,431,172 B1 8/2002 Bordewick  
6,595,215 B2 7/2003 Wood  
6,907,882 B2 6/2005 Ging et al.

**OTHER PUBLICATIONS**

U.S. Appl. No. 29/213,882, filed May 2004, Gunaratnam et al.  
InnoMed Technologies, "Nasal-Pap Freestyle™" Brochure, 2004, 2 pages.

InnoMed Technologies, "Nasal Aire™" Brochure 2003, 1 page.  
VIASYS Healthcare, "LYRA Nasal CPAP Interface" Brochure, 2004, 2 pages.

*Primary Examiner*—Ian Simmons

*Assistant Examiner*—Christopher Lee

(74) *Attorney, Agent, or Firm*—Nixon & Vanderhye P.C.

(57) **CLAIM**

The ornamental design for a clip, as shown and described.

**DESCRIPTION**

FIG. 1 is a perspective view of a clip according to an embodiment of our design;

FIG. 2 is a reverse perspective view thereof;

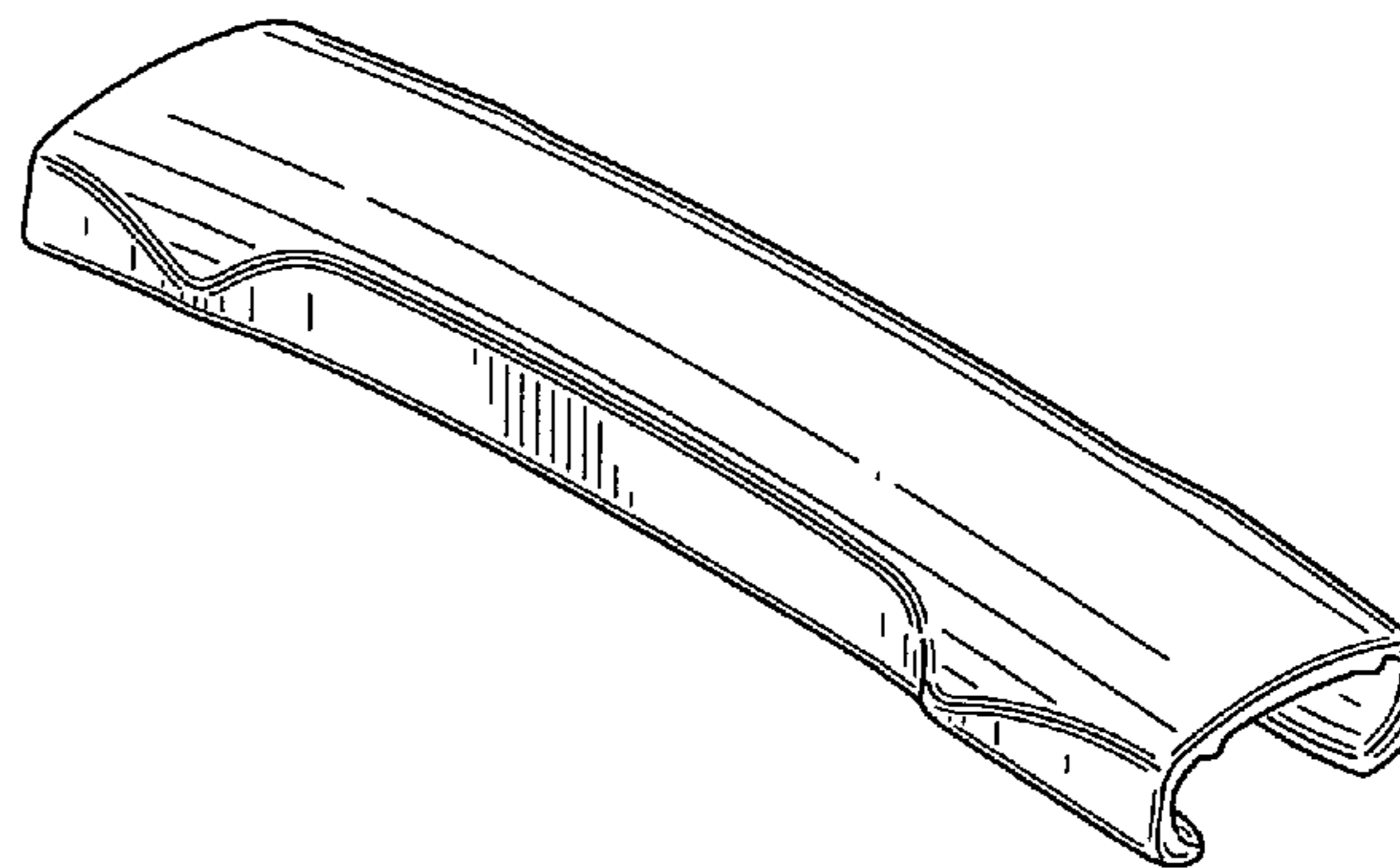
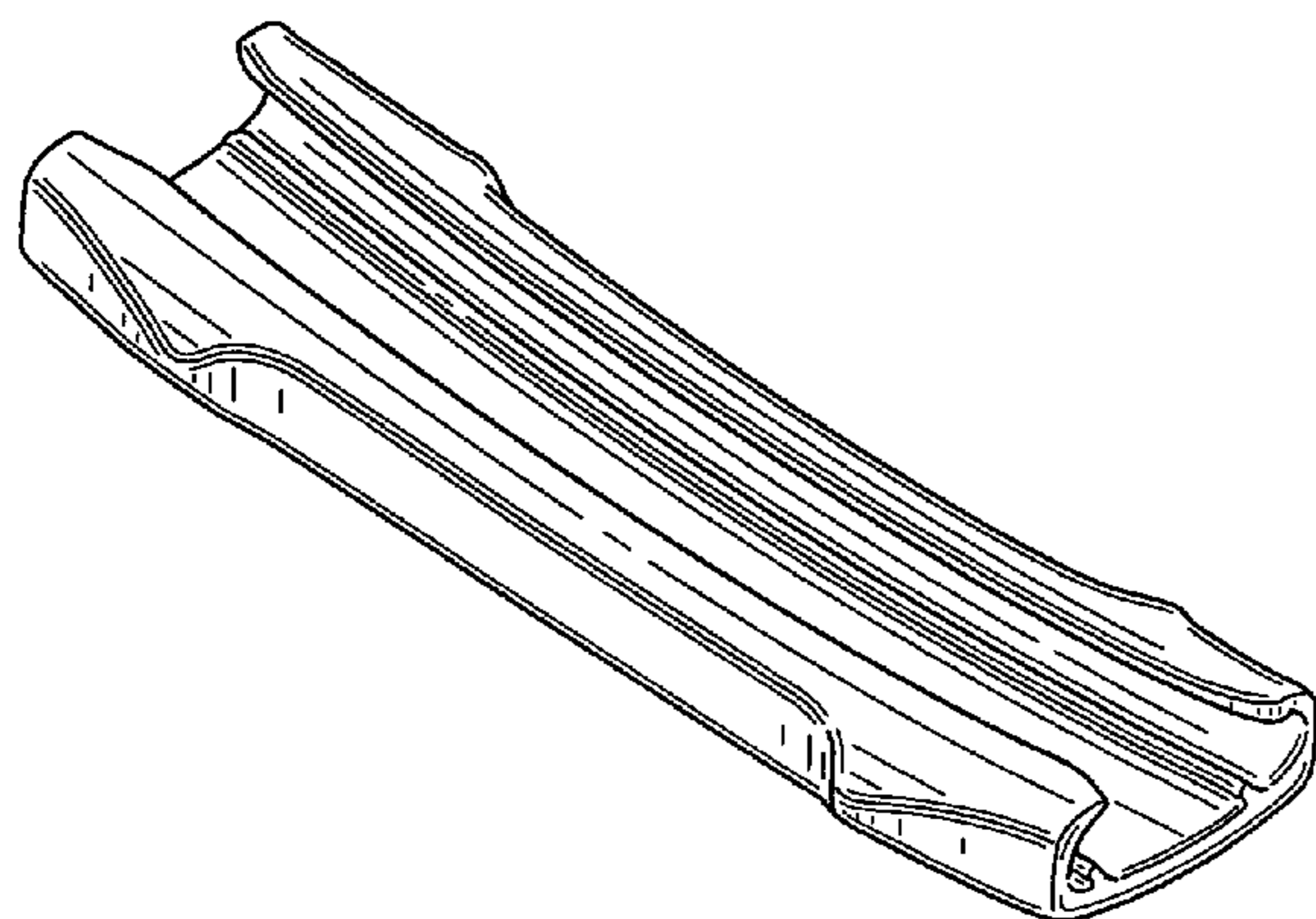
FIG. 3 is a left side view thereof; the right side view being a mirror image;

FIG. 4 is a front view thereof; the rear view being a mirror image;

FIG. 5 is a top view thereof; and,

FIG. 6 is a bottom view thereof.

**1 Claim, 2 Drawing Sheets**



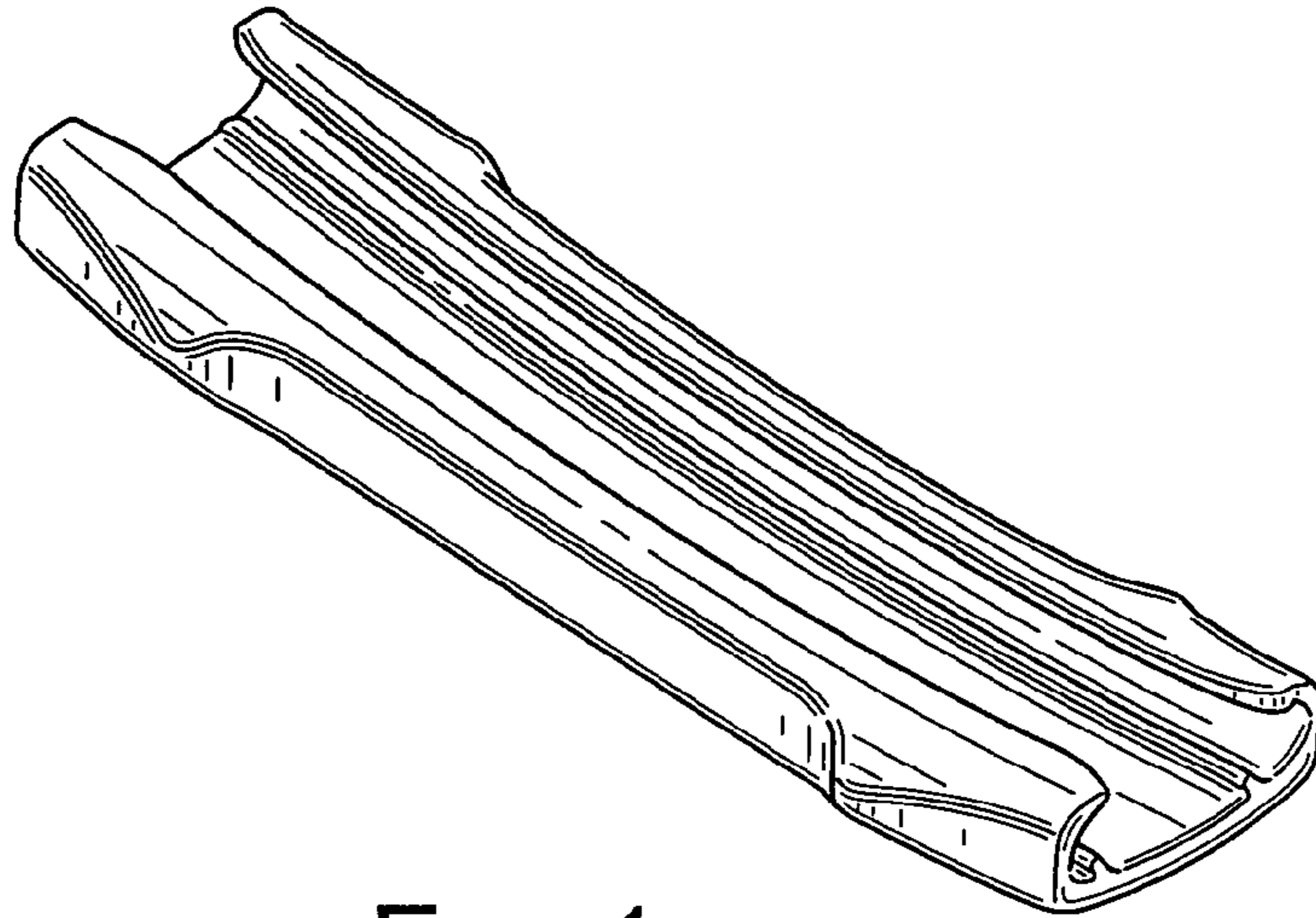


FIG. 1

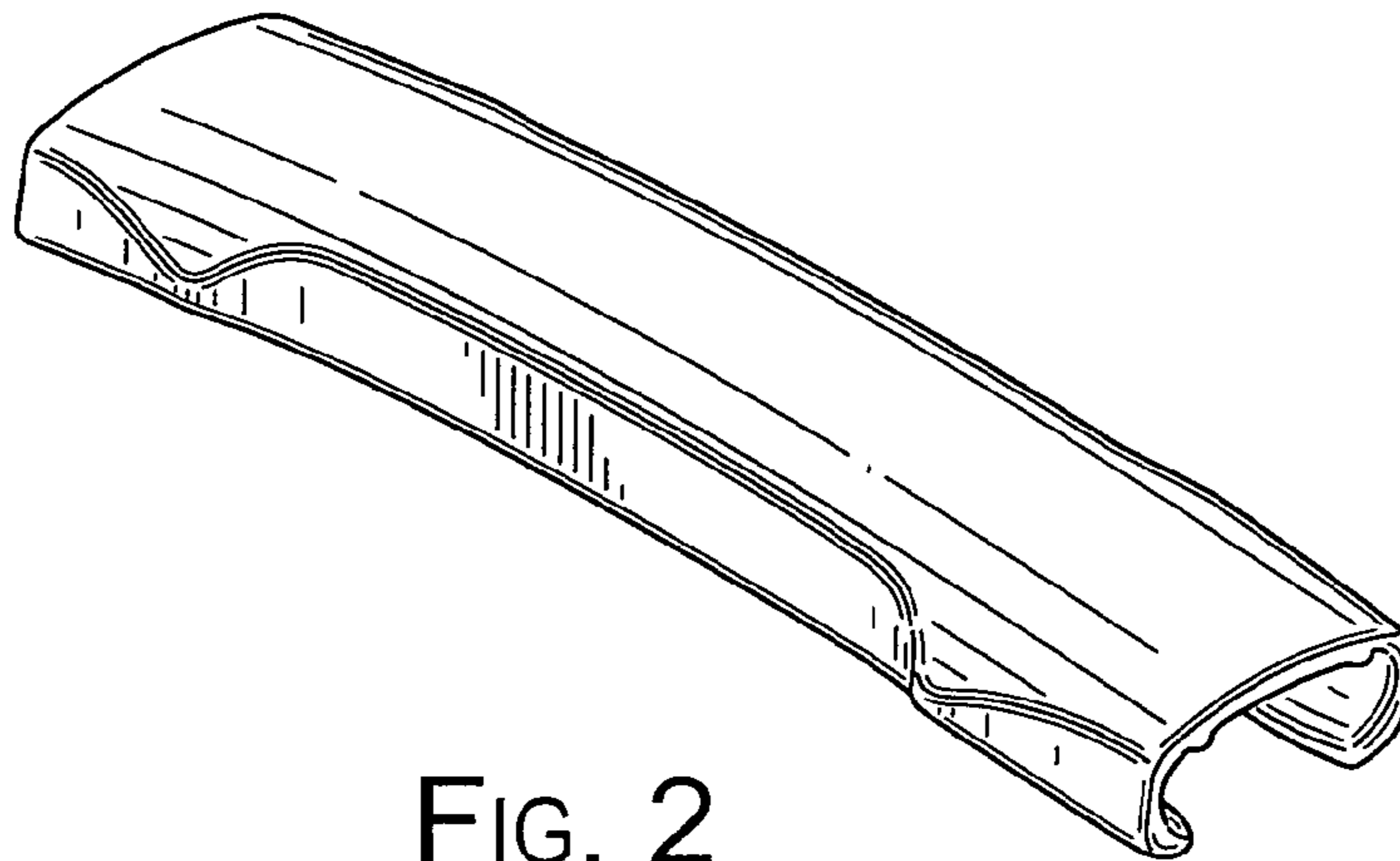


FIG. 2

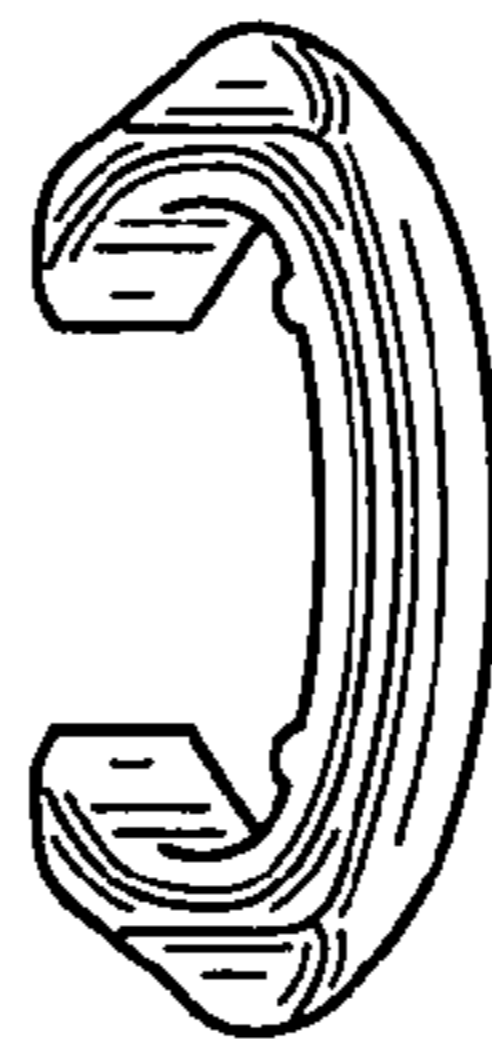


FIG. 3

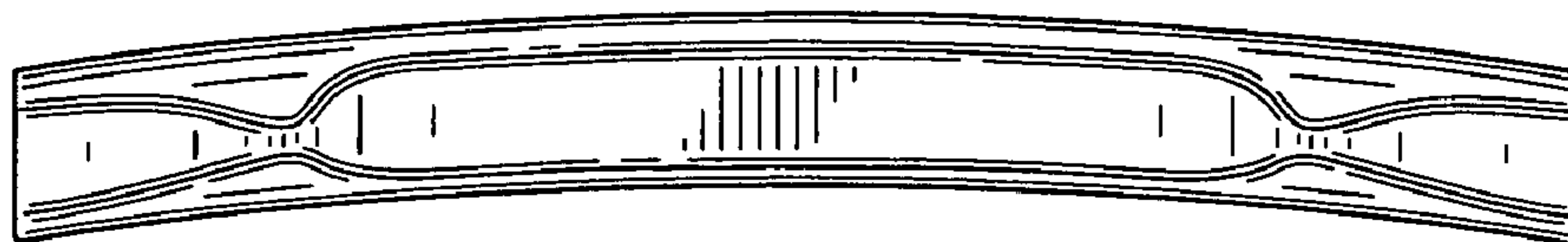


FIG. 4

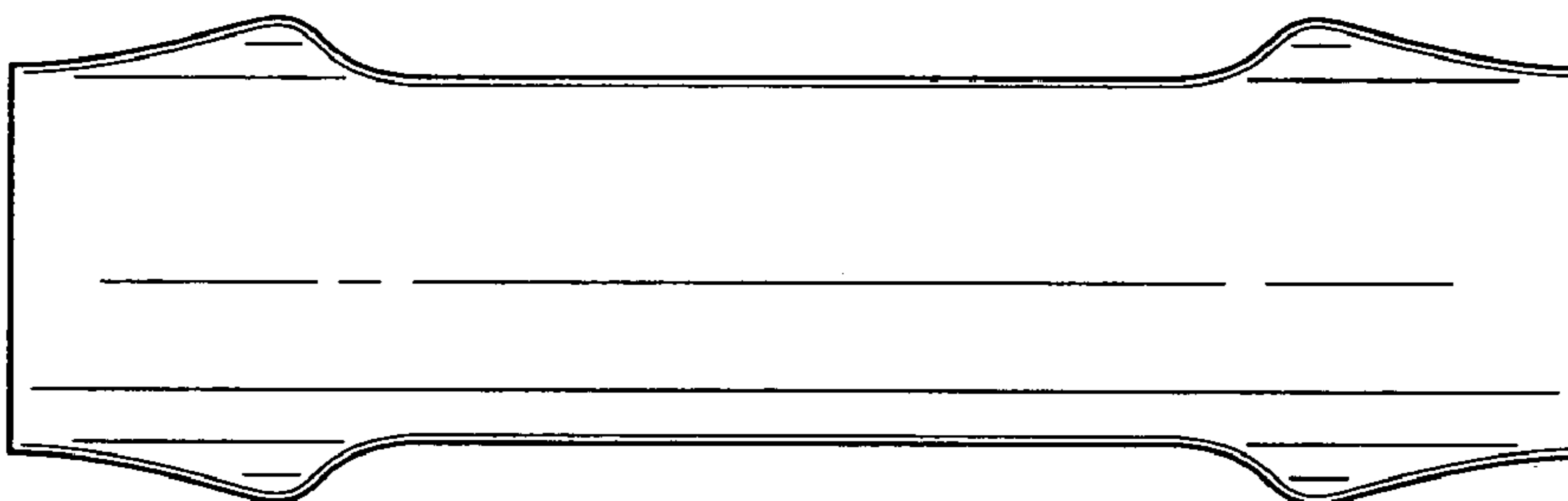


FIG. 5

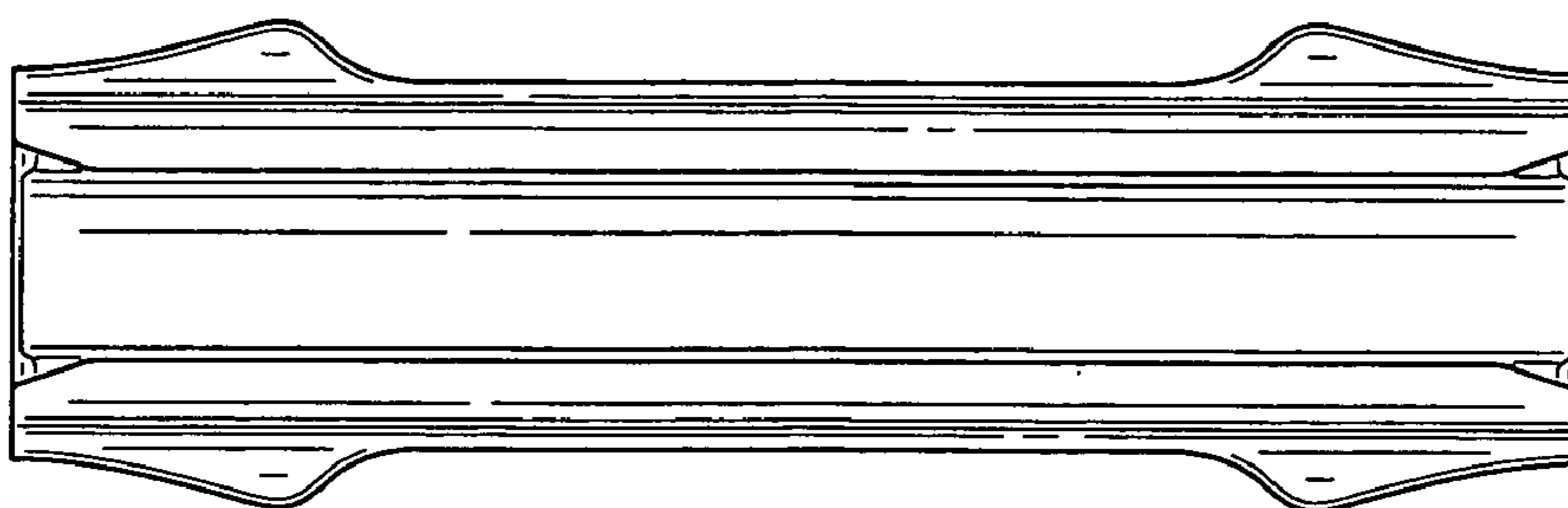


FIG. 6