



US00D557409S

(12) **United States Design Patent**
Veliss et al.

(10) **Patent No.: US D557,409 S**

(45) **Date of Patent: ** Dec. 11, 2007**

(54) **PLUG**

(75) Inventors: **Lee James Veliss**, West Ryde (AU);
Robin Garth Hitchcock, North
Parramatta (AU); **Memduh Guney**,
Killara (AU); **Richard Sokolov**,
Earlwood (AU); **Rachael Elizabeth
Moore**, North Bondi (AU)

(73) Assignee: **ResMed Limited**, Bella Vista (AU)

(**) Term: **14 Years**

(21) Appl. No.: **29/265,324**

(22) Filed: **Aug. 30, 2006**

Related U.S. Application Data

(62) Division of application No. 29/213,882, filed on May
28, 2004, now Pat. No. Des. 542,912.

(51) **LOC (8) Cl.** **29-02**

(52) **U.S. Cl.** **D24/110.1; D24/110.4;**
D24/110.5

(58) **Field of Classification Search** D24/110,
D24/110.1-110.5; 128/205.25, 207.15-18,
128/206.11, 206.24; D8/354, 356, 499; D6/499,
D6/580; D13/153, 156, 184, 199; D23/260,
D23/263, 268; 16/2.1; 285/49, 207; 439/207
See application file for complete search history.

(56) **References Cited**

U.S. PATENT DOCUMENTS

2,763,263 A 9/1956 Ellman
3,513,844 A 5/1970 Smith
3,643,290 A * 2/1972 Milne 16/2.1
D261,357 S * 10/1981 Doonan D8/499
4,782,832 A 11/1988 Trimble et al.

5,383,688 A * 1/1995 Berry 285/49
6,119,694 A 9/2000 Correa et al.
6,431,172 B1 8/2002 Bordewick
6,595,215 B2 7/2003 Wood
6,907,882 B2 6/2005 Ging et al.
D517,900 S * 3/2006 Goldenberg et al. D8/354
D528,192 S * 9/2006 Nicholson D23/260
D541,566 S * 5/2007 Allsopp D6/580

OTHER PUBLICATIONS

U.S. Appl. No. 29/213,882, filed May 2004, Gunaratnam et al.
InnoMed Technologies, "Nasal-Pap Freestyle™" Brochure, 2004, 2
pages.

InnoMed Technologies, "Nasal Aire™" Brochure 2003, 1 page.
VIASYS Healthcare, "LYRA Nasal CPAP Interface" Brochure,
2004, 2 pages.

* cited by examiner

Primary Examiner—Ian Simmons

Assistant Examiner—Christopher Lee

(74) *Attorney, Agent, or Firm*—Nixon & Vanderhye P.C.

(57) **CLAIM**

The ornamental design for a plug, as shown and described.

DESCRIPTION

FIG. 1 is a perspective view illustrating a plug according to
an embodiment of our design;

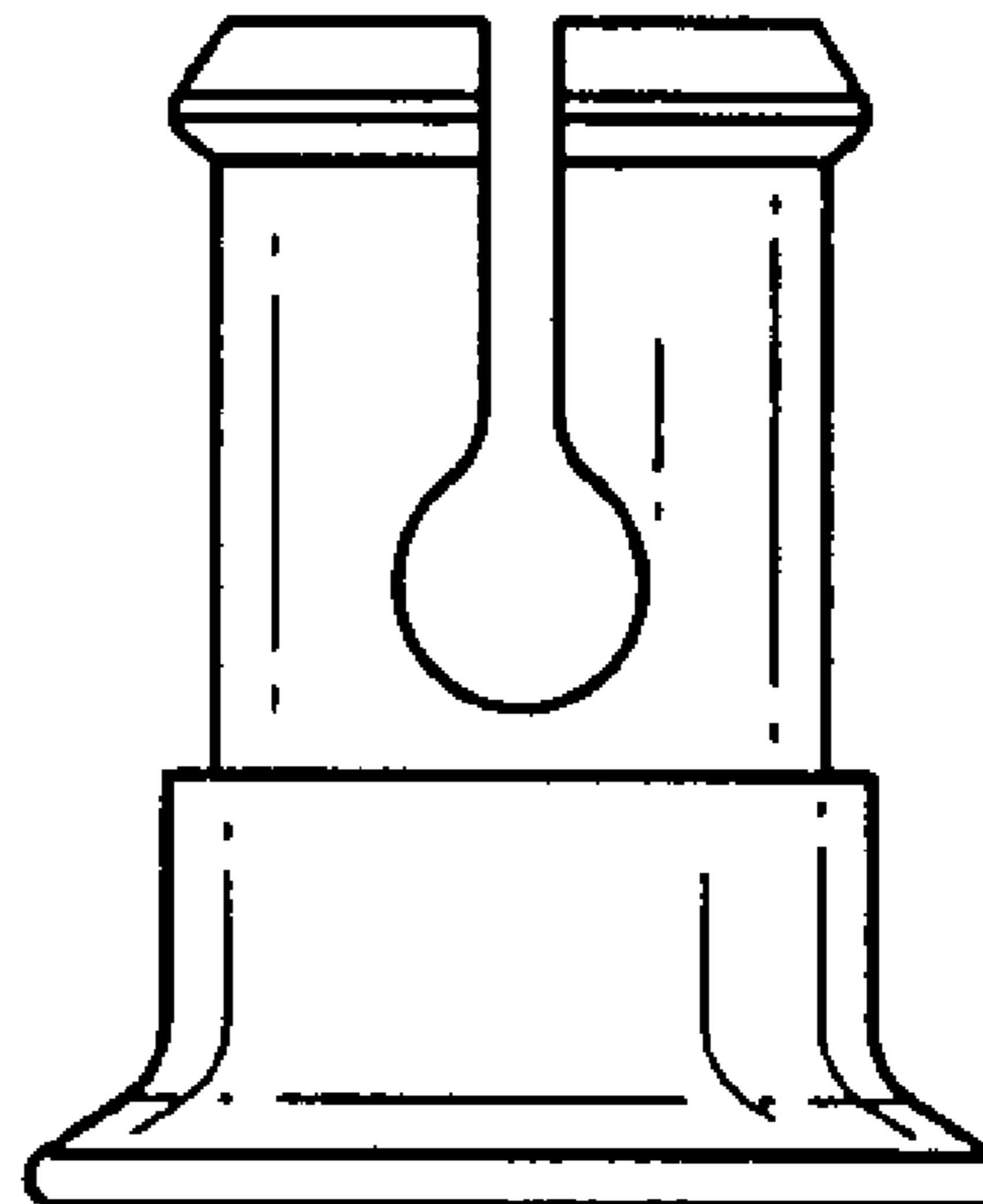
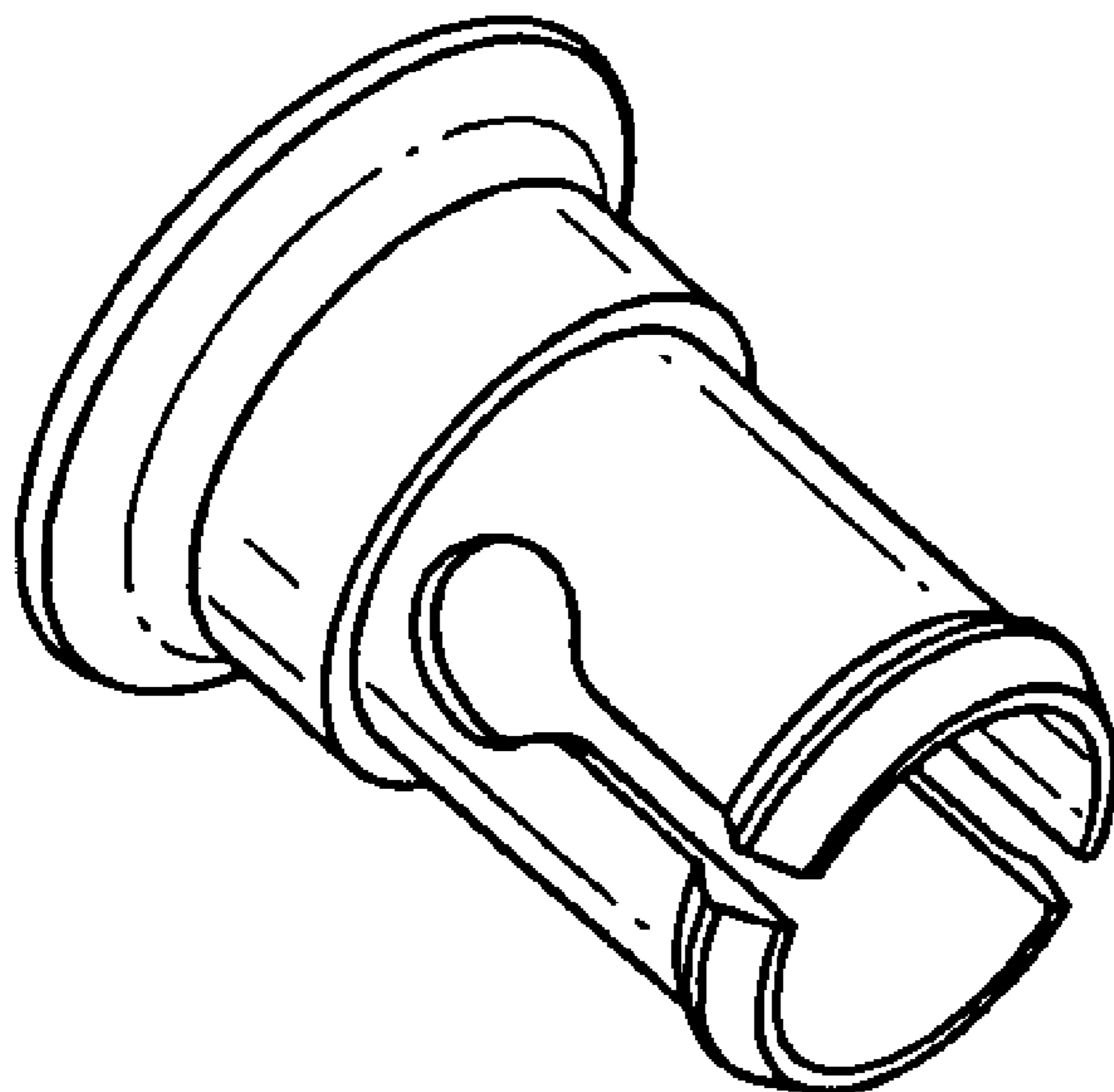
FIG. 2 is a front view thereof; the rear view being a mirror
image;

FIG. 3 is a right side view thereof; the left side view being
a mirror image;

FIG. 4 is a top view thereof; and,

FIG. 5 is a bottom view thereof.

1 Claim, 1 Drawing Sheet



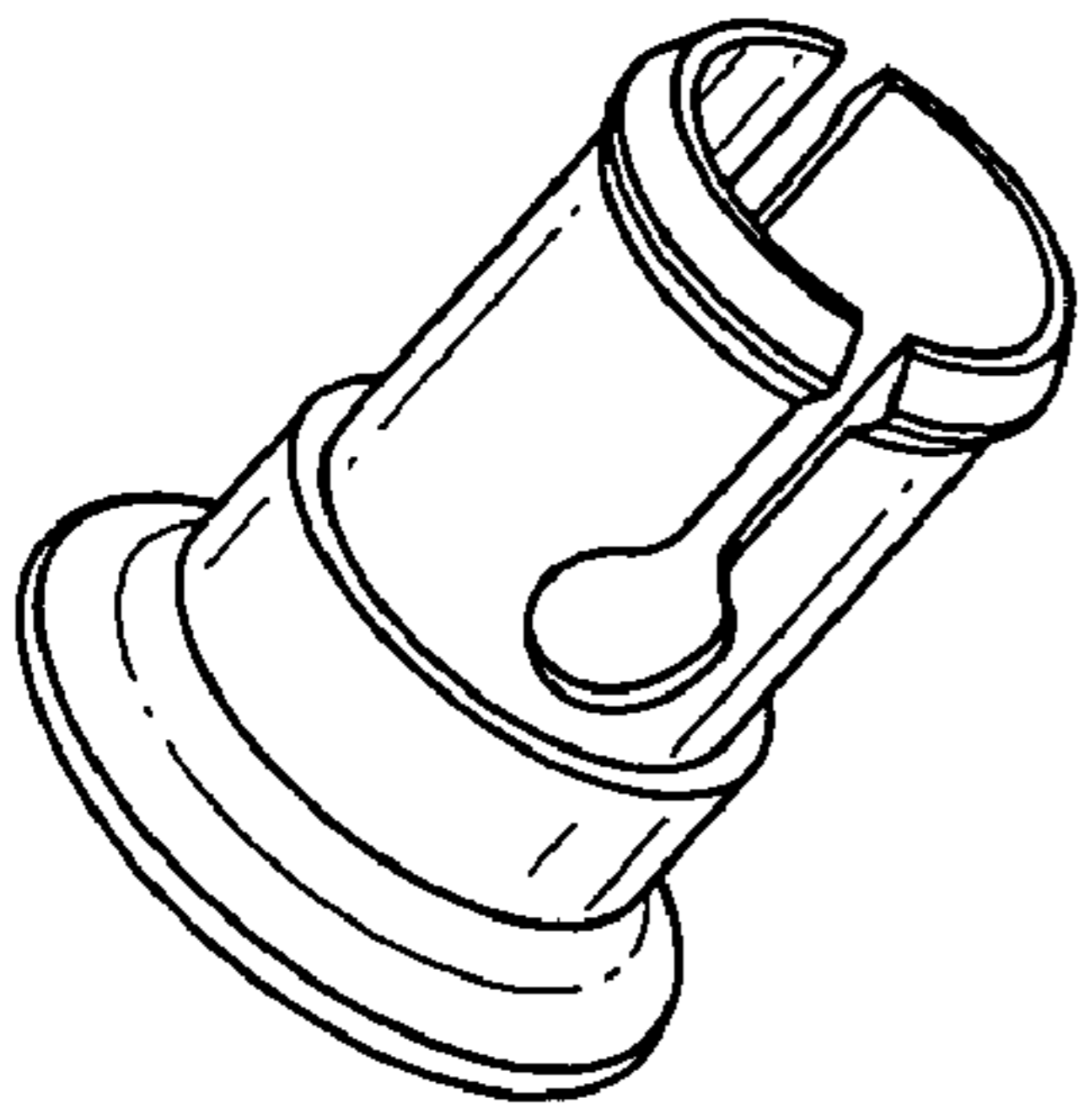


Fig. 1

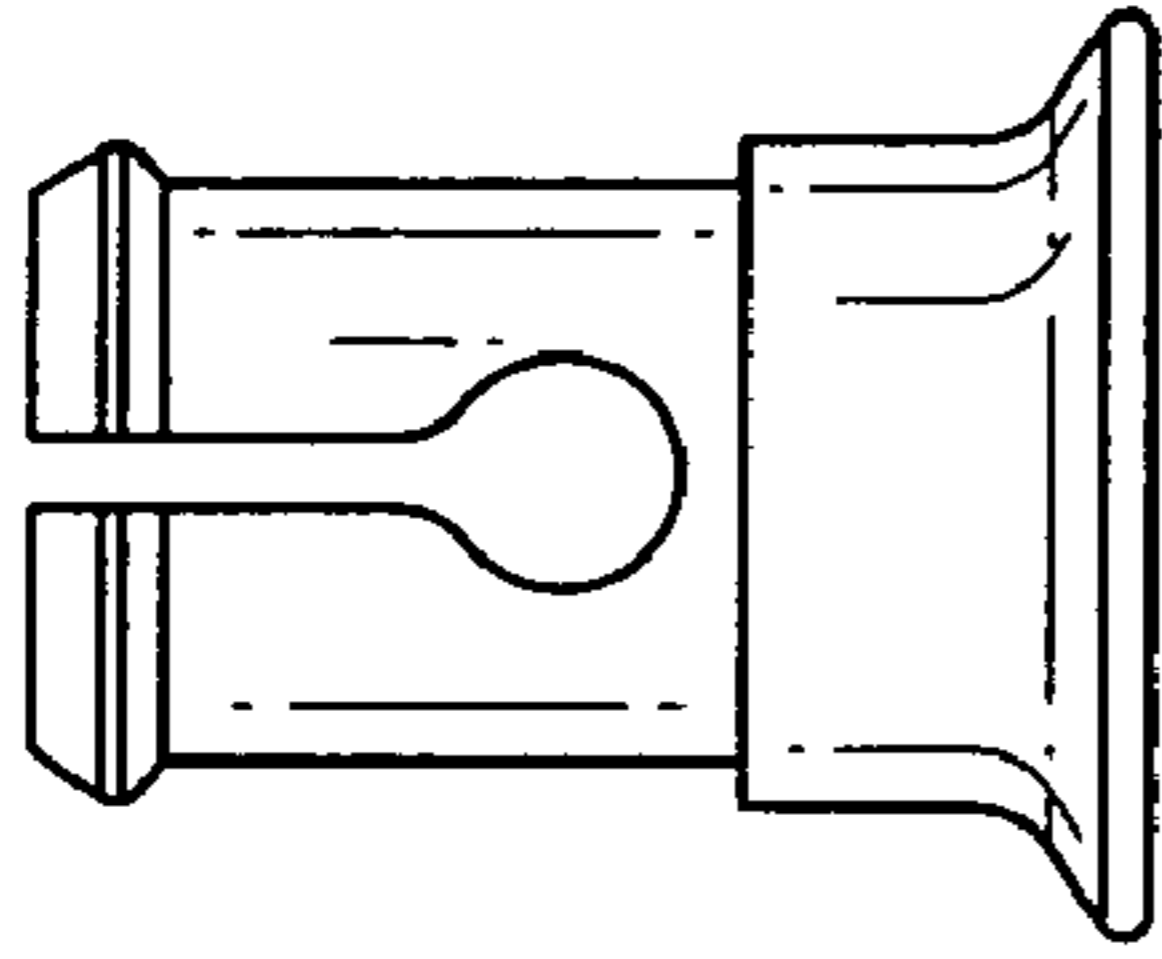


Fig. 2

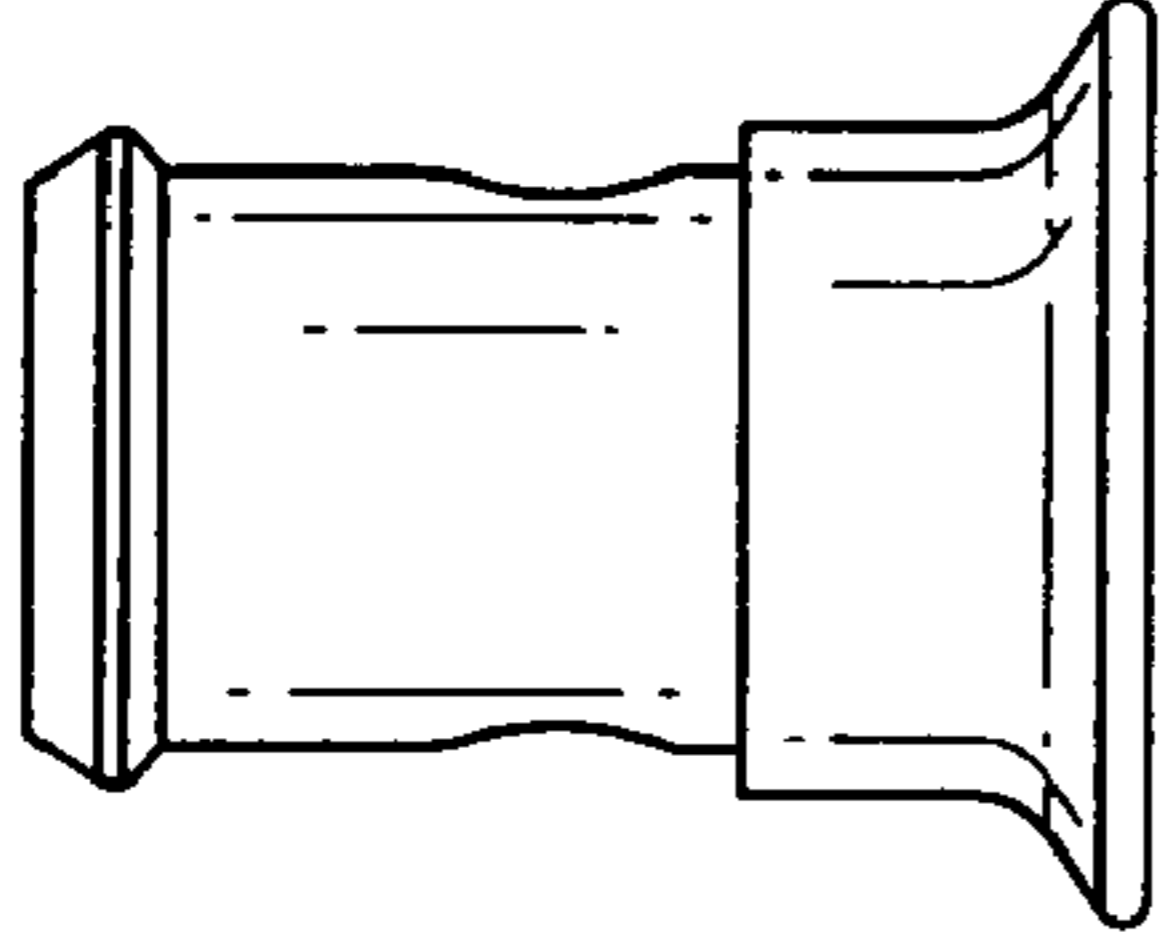


Fig. 3

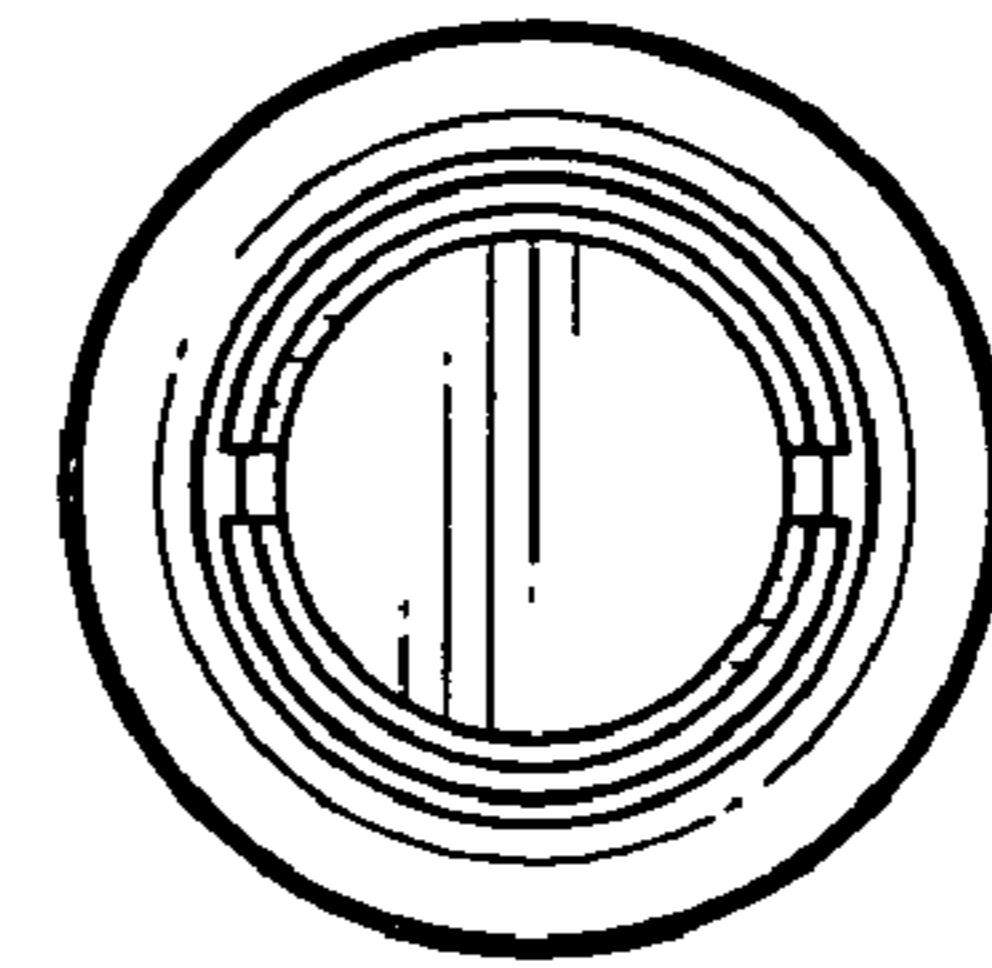


Fig. 4

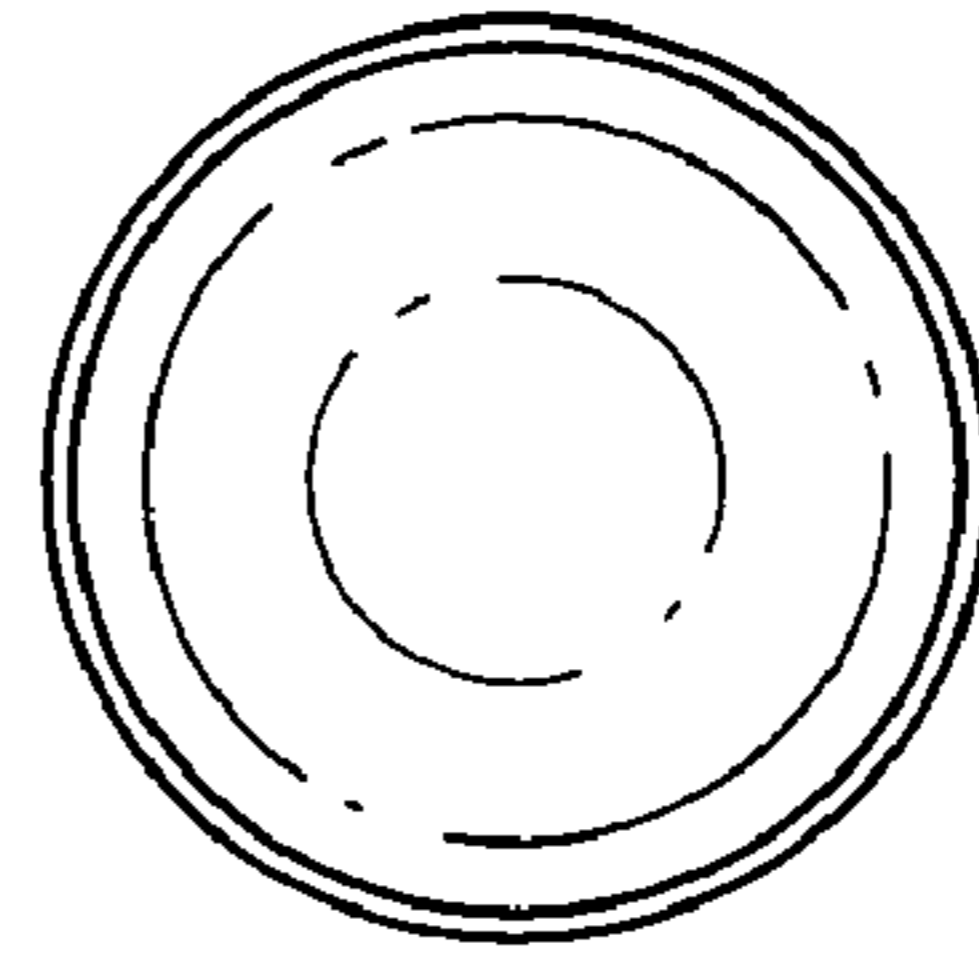


Fig. 5