



US00D557408S

(12) **United States Design Patent** (10) **Patent No.:** **US D557,408 S**
Amarasinghe et al. (45) **Date of Patent:** **** Dec. 11, 2007**

(54) **MASK ASSEMBLY**

2003/0089373 A1* 5/2003 Gradon et al. 128/206.27
 2005/0172969 A1 8/2005 Ging et al.

(75) Inventors: **Amal Shirley Amarasinghe**, Beecroft (AU); **Timothy Tsun-Fai Fu**, Carlingford (AU); **Aaron Samuel Davidson**, Newport (AU); **Daniel Robert Judson**, Lapstone (AU); **Daniel Joseph Kaars Sijpesteijn**, Seven Hills (AU)

FOREIGN PATENT DOCUMENTS

WO WO 2004/022147 3/2004
 WO WO 2004/096332 11/2004

OTHER PUBLICATIONS

U.S. Appl. No. 60/682,827, filed May 2005, Fu et al.
 U.S. Appl. No. 60/721,967, filed Sep. 2005, Fu et al.

* cited by examiner

Primary Examiner—Ian Simmons

Assistant Examiner—Christopher Lee

(74) *Attorney, Agent, or Firm*—Nixon & Vanderhye P.C.

(73) Assignee: **ResMed Limited**, Bella Vista (AU)

(**) Term: **14 Years**

(21) Appl. No.: **29/243,093**

(22) Filed: **Oct. 7, 2005**

(51) **LOC (8) Cl.** **29-02**

(52) **U.S. Cl.** **D24/110.1; D24/110.4; D24/110.5**

(58) **Field of Classification Search** D24/110.4, D24/110.1, 110.5; 128/205.25, 206.26, 206.27, 128/207.11, 207.13

See application file for complete search history.

(56) **References Cited**

U.S. PATENT DOCUMENTS

4,944,310 A	7/1990	Sullivan	
D468,823 S *	1/2003	Smart	D24/110.1
6,561,190 B1	5/2003	Kwok	
6,561,191 B1	5/2003	Kwok	
6,691,707 B1	2/2004	Gunaratnam et al.	
D496,098 S *	9/2004	Guney et al.	D24/110.1
D506,827 S *	6/2005	Jones et al.	D24/110.1
D519,206 S *	4/2006	Jones et al.	D24/110.1
D535,023 S *	1/2007	Smart et al.	D24/110.1
D537,523 S *	2/2007	Dantanarayana et al.	D24/110.4

(57) **CLAIM**

The ornamental design for a mask assembly, as shown.

DESCRIPTION

FIG. 1 is a front perspective view of a mask assembly according to our design;

FIG. 2 is a front view of the mask assembly shown in FIG. 1;

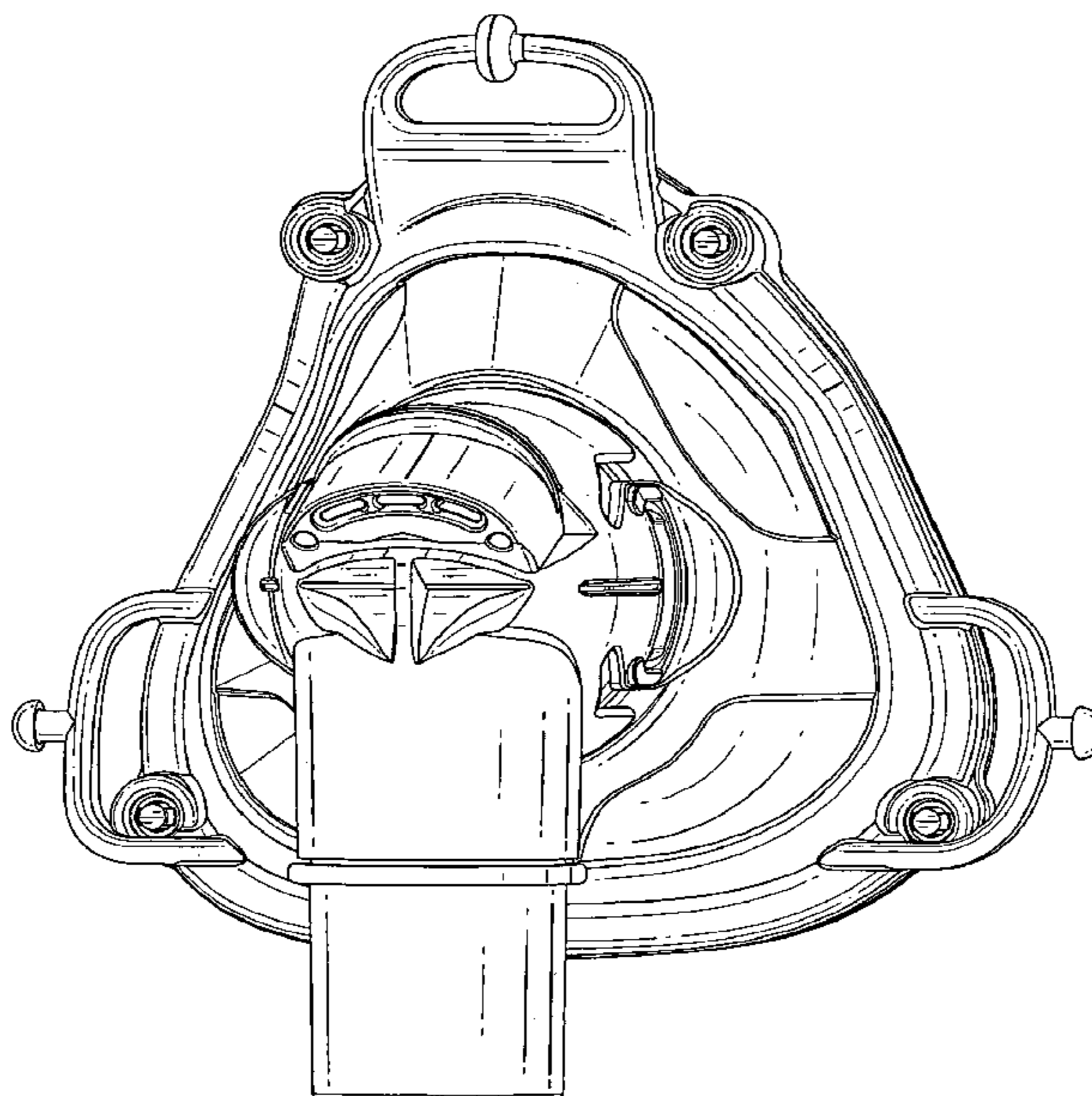
FIG. 3 is a rear view of the mask assembly shown in FIG. 1;

FIG. 4 is a right hand side view of the mask assembly shown in FIG. 1, with the left hand side view being a mirror image thereof;

FIG. 5 is a top view of the mask assembly shown in FIG. 1; and,

FIG. 6 is a bottom view of the mask assembly shown in FIG. 1.

1 Claim, 6 Drawing Sheets



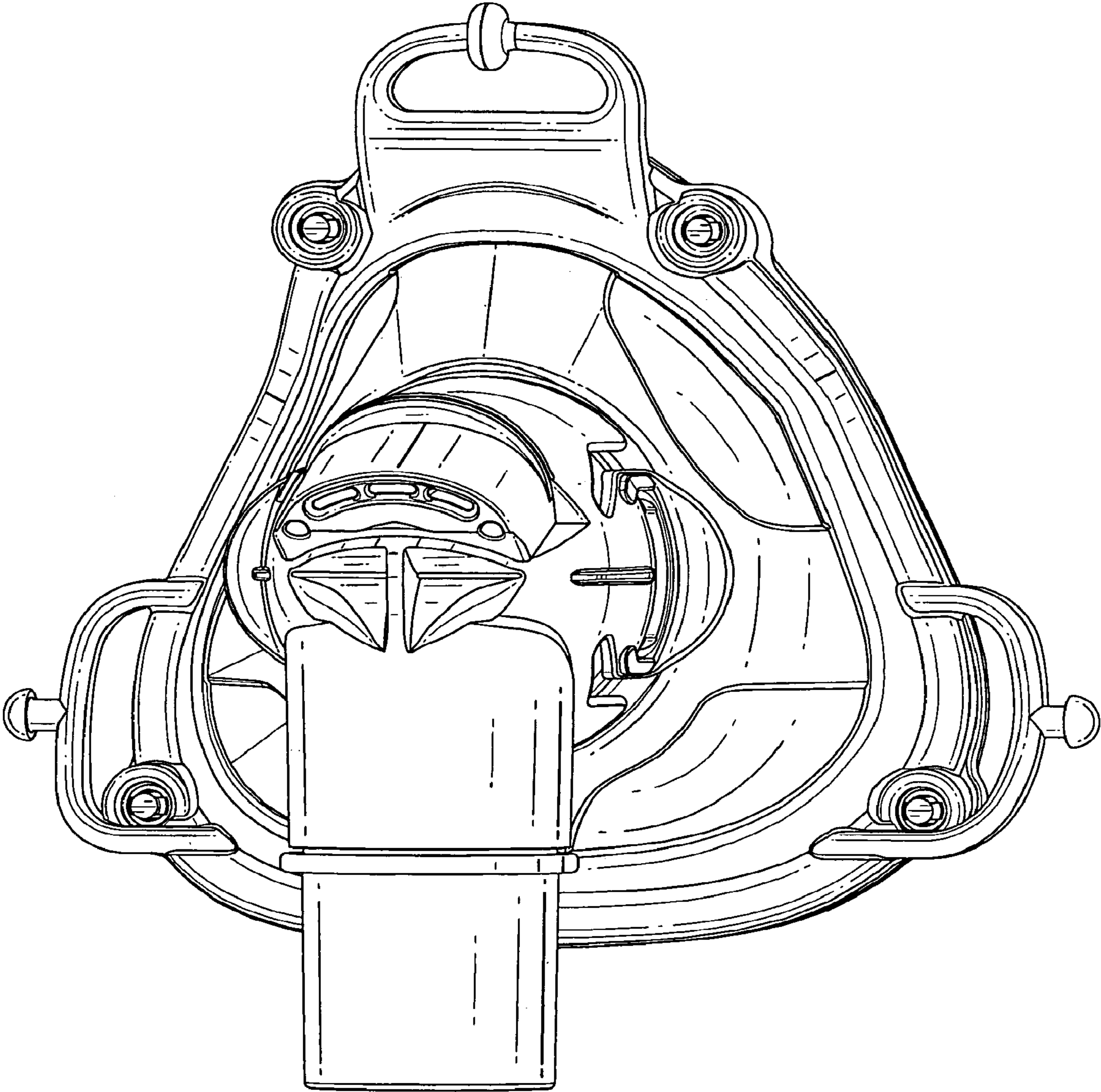


Fig. 1

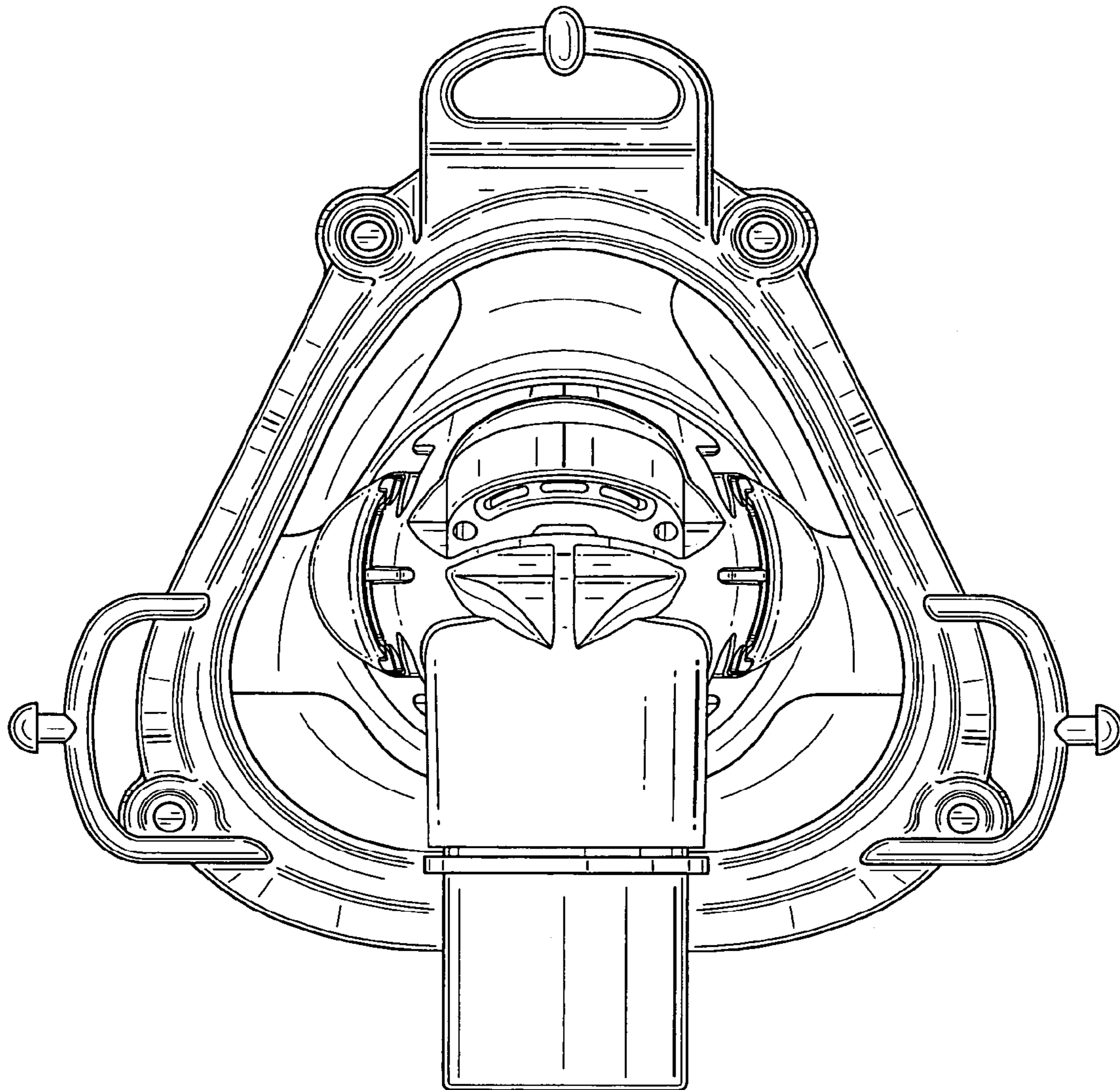


Fig. 2

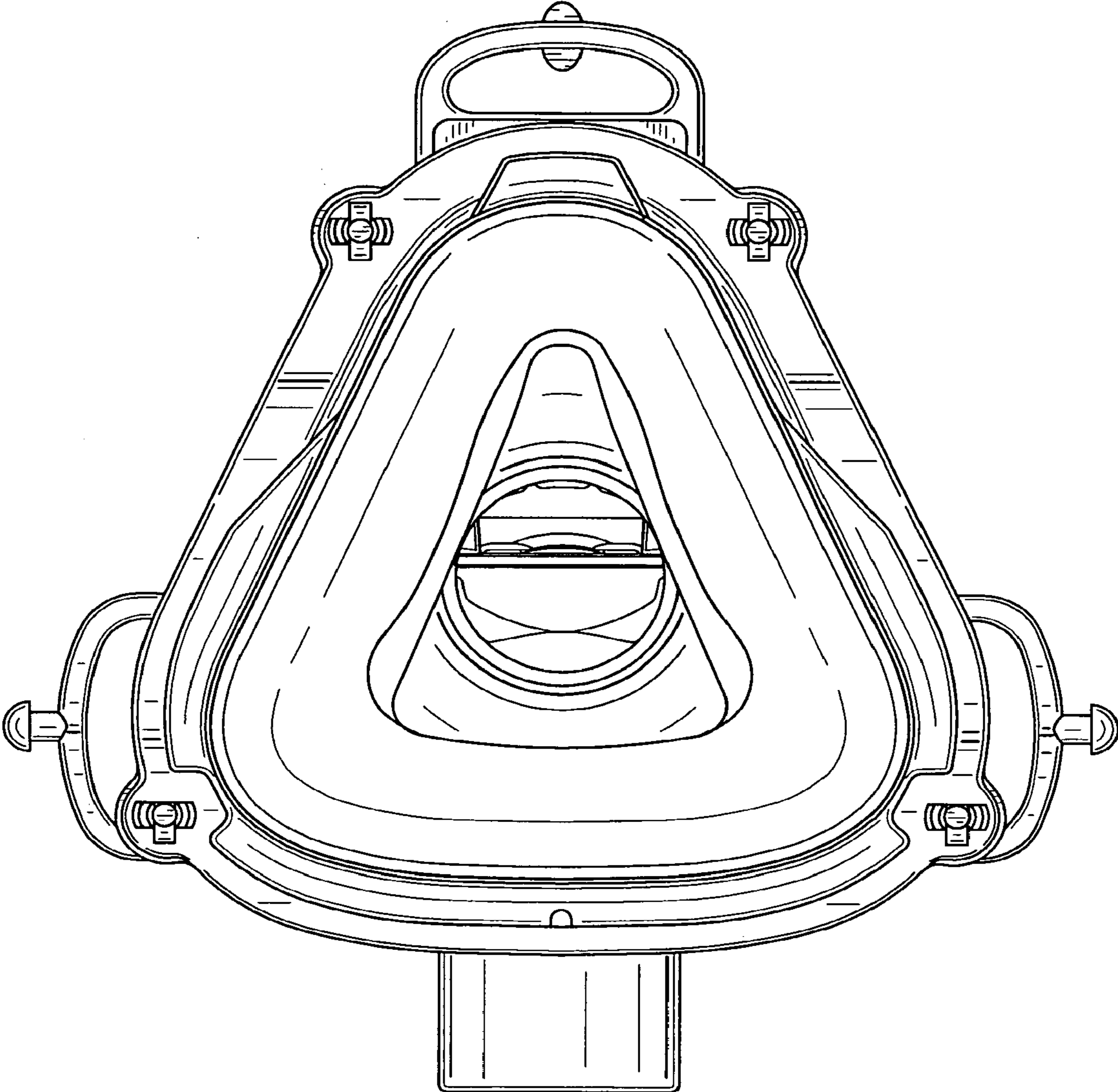


Fig. 3

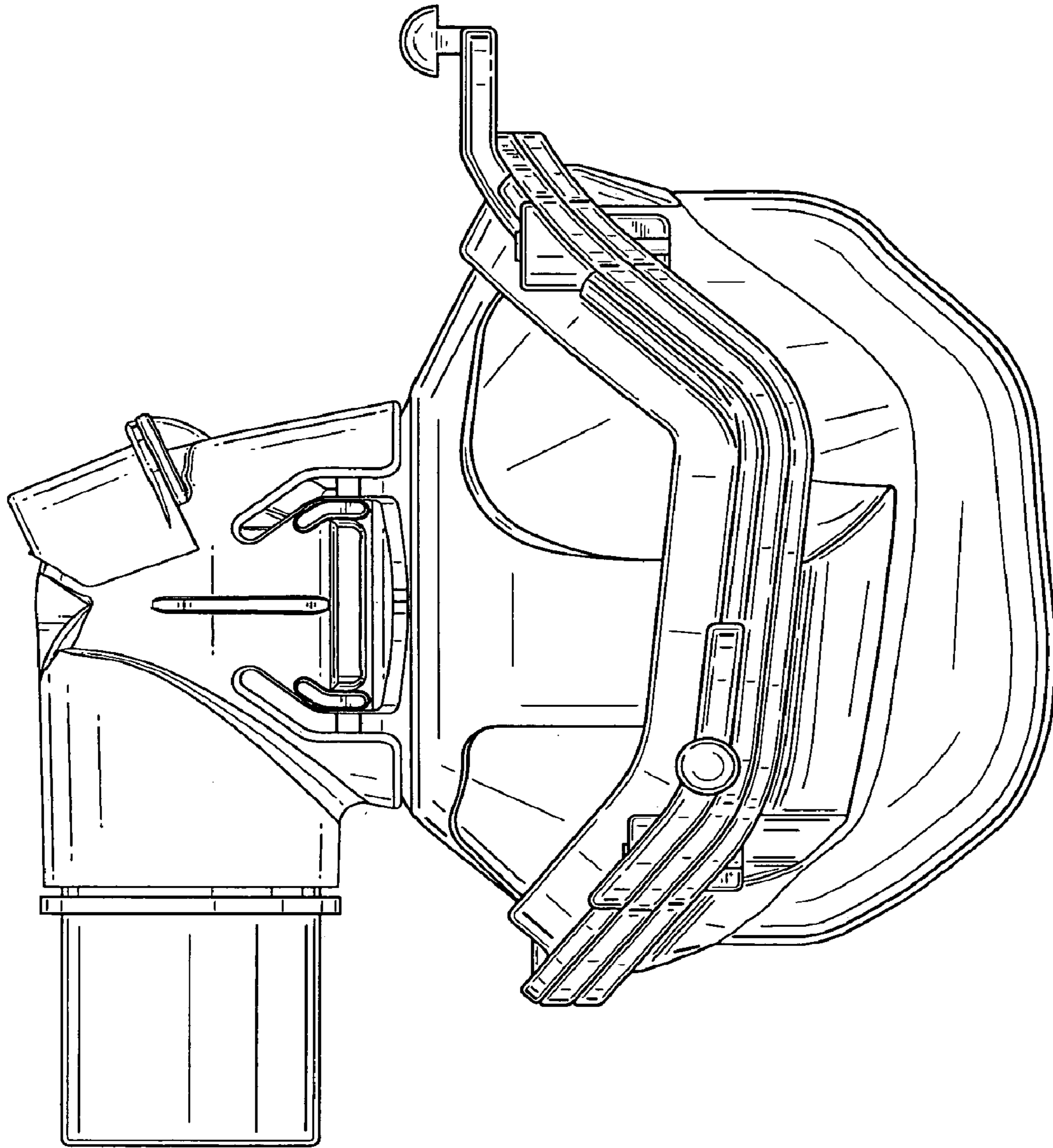


Fig. 4

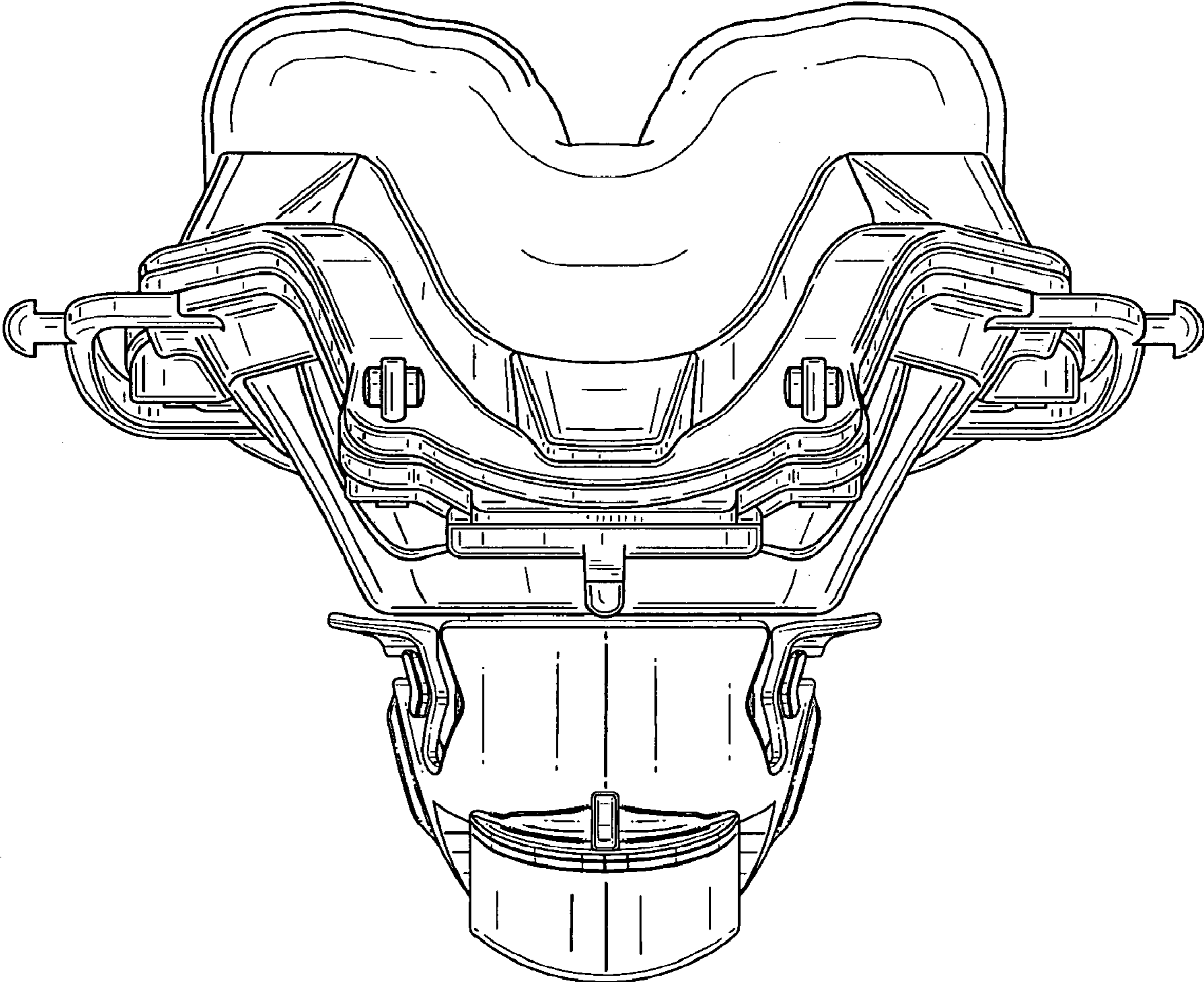


Fig. 5

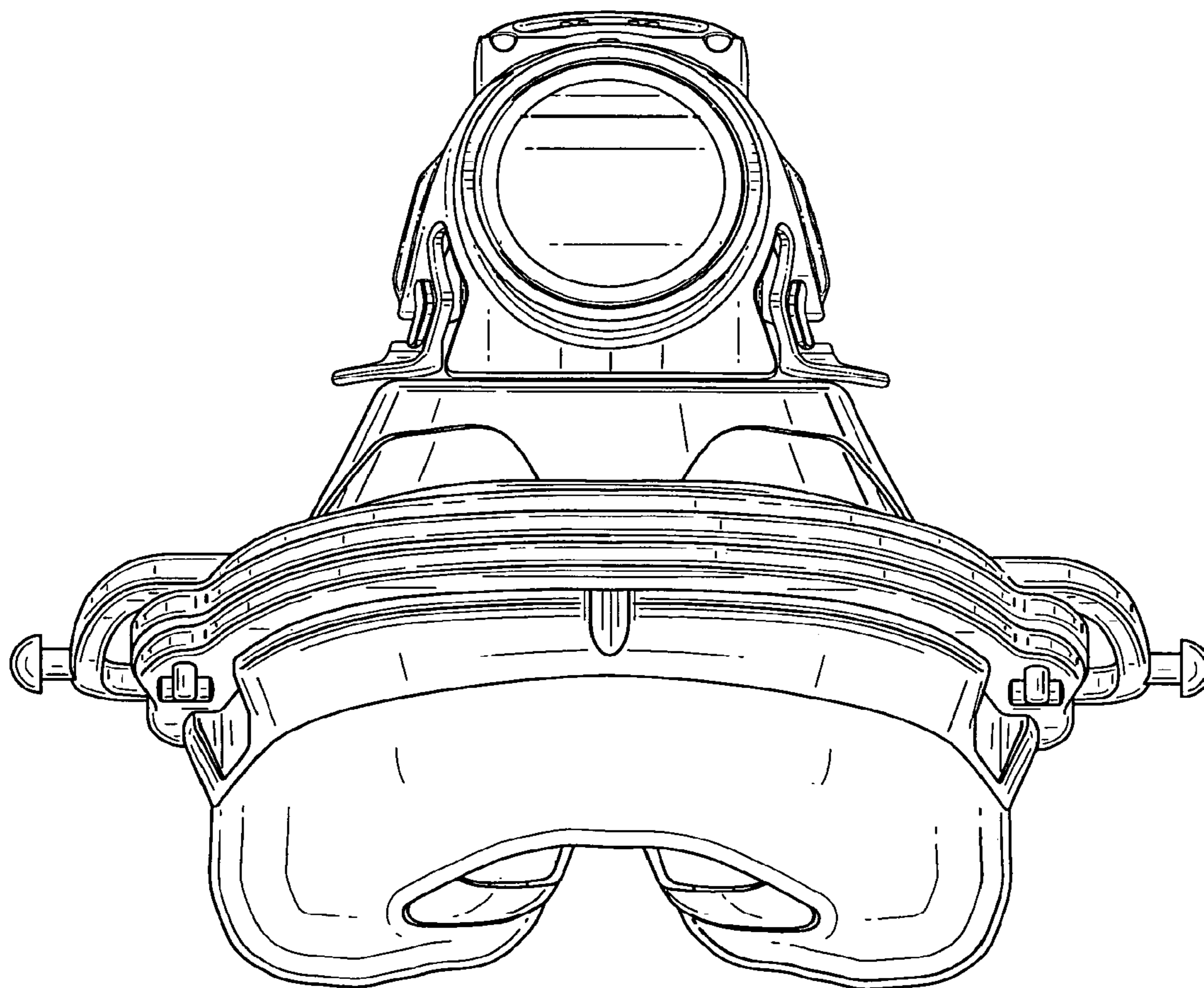


Fig. 6