



US00D557407S

(12) **United States Design Patent**
Lithgow et al.

(10) **Patent No.:** **US D557,407 S**

(45) **Date of Patent:** **** Dec. 11, 2007**

(54) **HUMIDIFIER TUB LID**

(75) Inventors: **Perry David Lithgow**, Glenwood (AU); **Duncan Lovel Trevor-Wilson**, Frenchs Forest (AU); **Arthur Kin-Wai Yee**, Pymble (AU); **Rohan Neil Primrose**, Marsfield (AU); **Alexander Virr**, Balmain (AU); **Mark Bertinetti**, Lane Cove (AU); **Dan Kao**, Chatswood (AU); **Michael Thomas Janiak**, North Epping (AU)

(73) Assignee: **ResMed Limited**, Bella Vista (AU)

(**) Term: **14 Years**

(21) Appl. No.: **29/274,263**

(22) Filed: **Apr. 10, 2007**

Related U.S. Application Data

(62) Division of application No. 29/207,856, filed on Jun. 18, 2004, now Pat. No. Des. 544,598.

(51) **LOC (8) Cl.** **29-02**

(52) **U.S. Cl.** **D24/110**

(58) **Field of Classification Search** D24/110,
D24/164; D23/356, 358; 128/200.24, 200.23,
128/200.18, 200.22, 200.16, 204.14, 203.16,
128/203.17, 204.18, 204.23

See application file for complete search history.

(56) **References Cited**

U.S. PATENT DOCUMENTS

D421,298 S 2/2000 Kenyon et al.

D427,675 S 7/2000 Hansel
D467,335 S 12/2002 Lithgow et al.
D476,077 S 6/2003 Lithgow et al.
D487,311 S 3/2004 Lithgow et al.
D493,520 S 7/2004 Bertinetti et al.
D493,884 S 8/2004 Virr et al.
D498,527 S 11/2004 Virr et al.
D503,796 S 4/2005 Lithgow et al.

OTHER PUBLICATIONS

U.S. Appl. No. 29/207,856, filed Jun. 18, 2004, Lithgow et al.

Primary Examiner—Ian Simmons

Assistant Examiner—Christopher Lee

(74) *Attorney, Agent, or Firm*—Nixon & Vanderhye P.C.

(57) **CLAIM**

The ornamental design for a humidifier tub lid, as shown and described.

DESCRIPTION

FIG. 1 is a perspective view of a humidifier tub lid according to our design;

FIG. 2 is a top view thereof;

FIG. 3 is a bottom view thereof;

FIG. 4 is a front view thereof;

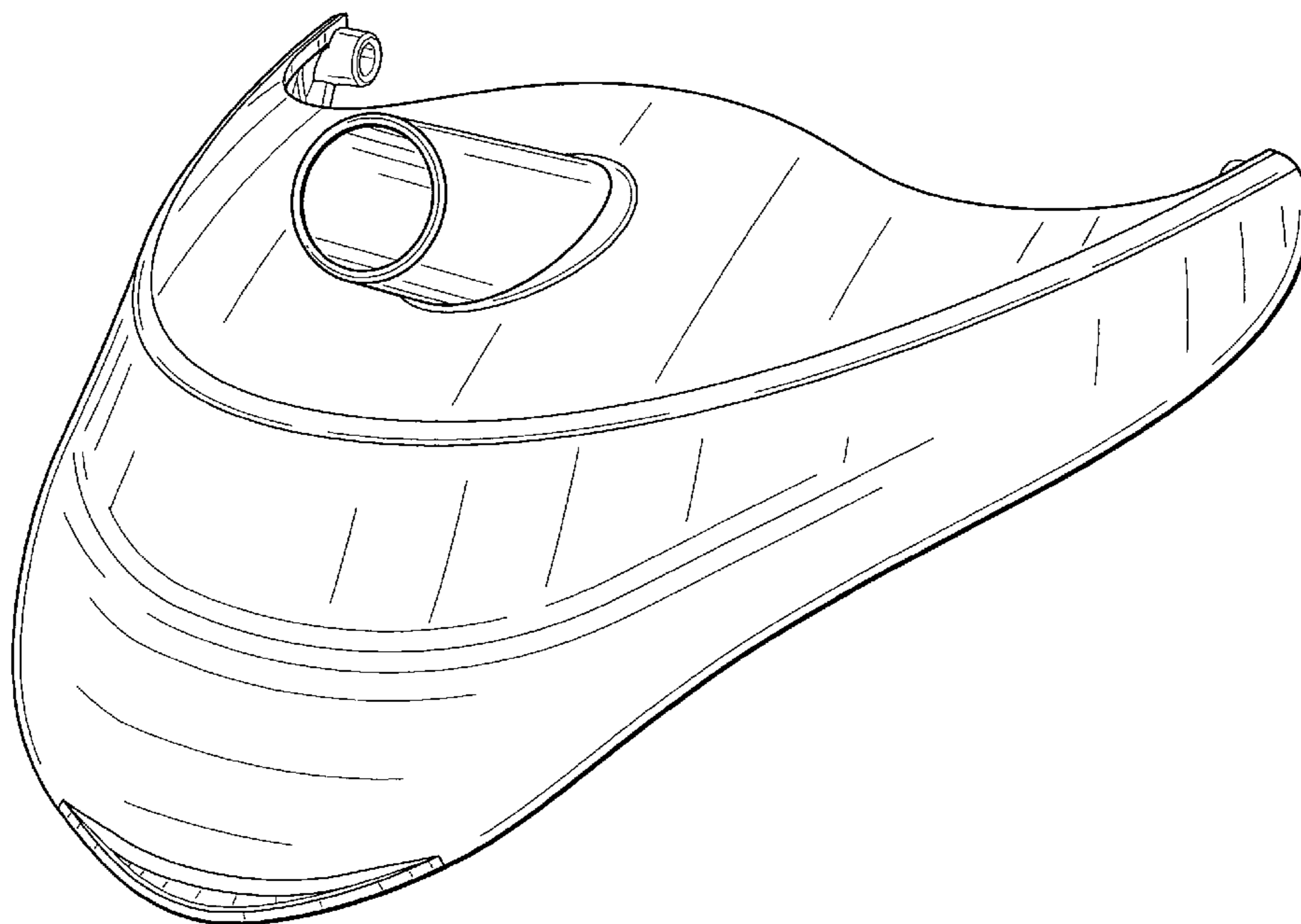
FIG. 5 is a rear view thereof;

FIG. 6 is a left side view thereof; and,

FIG. 7 is a right side view thereof.

Where included, broken lines showing environment or structure are for illustrative purposes only and form no part of the claimed design.

1 Claim, 7 Drawing Sheets



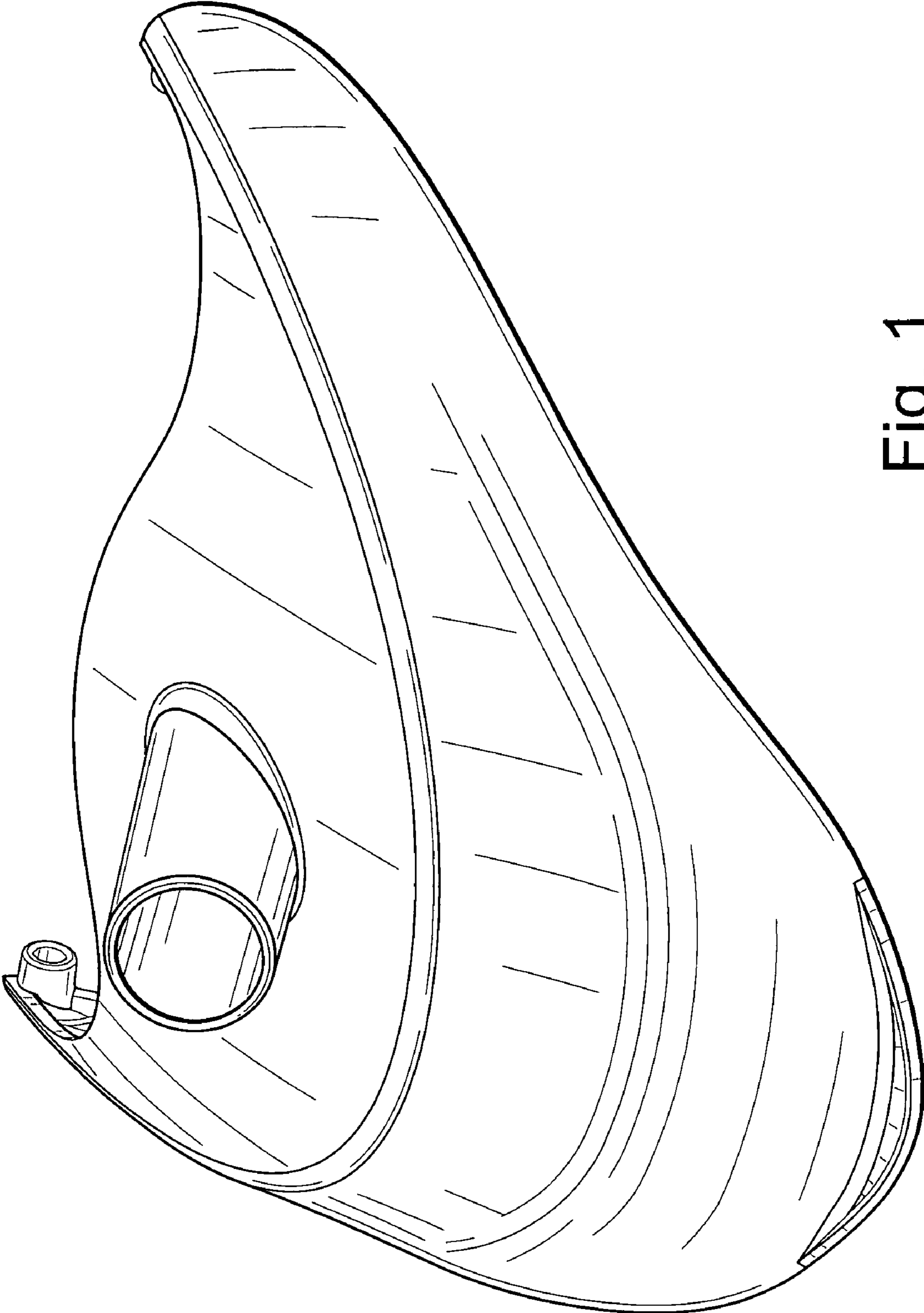


Fig. 1

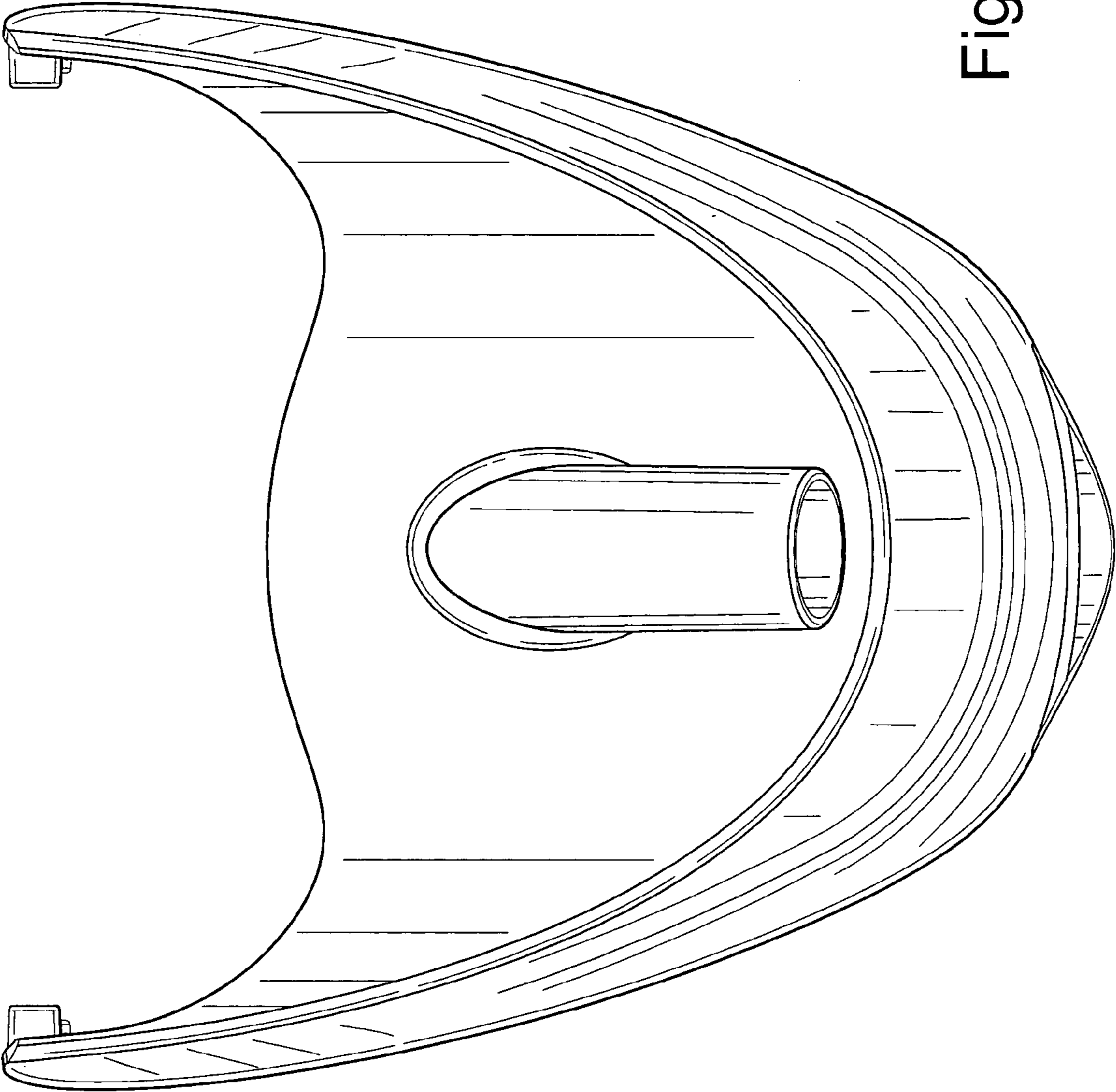
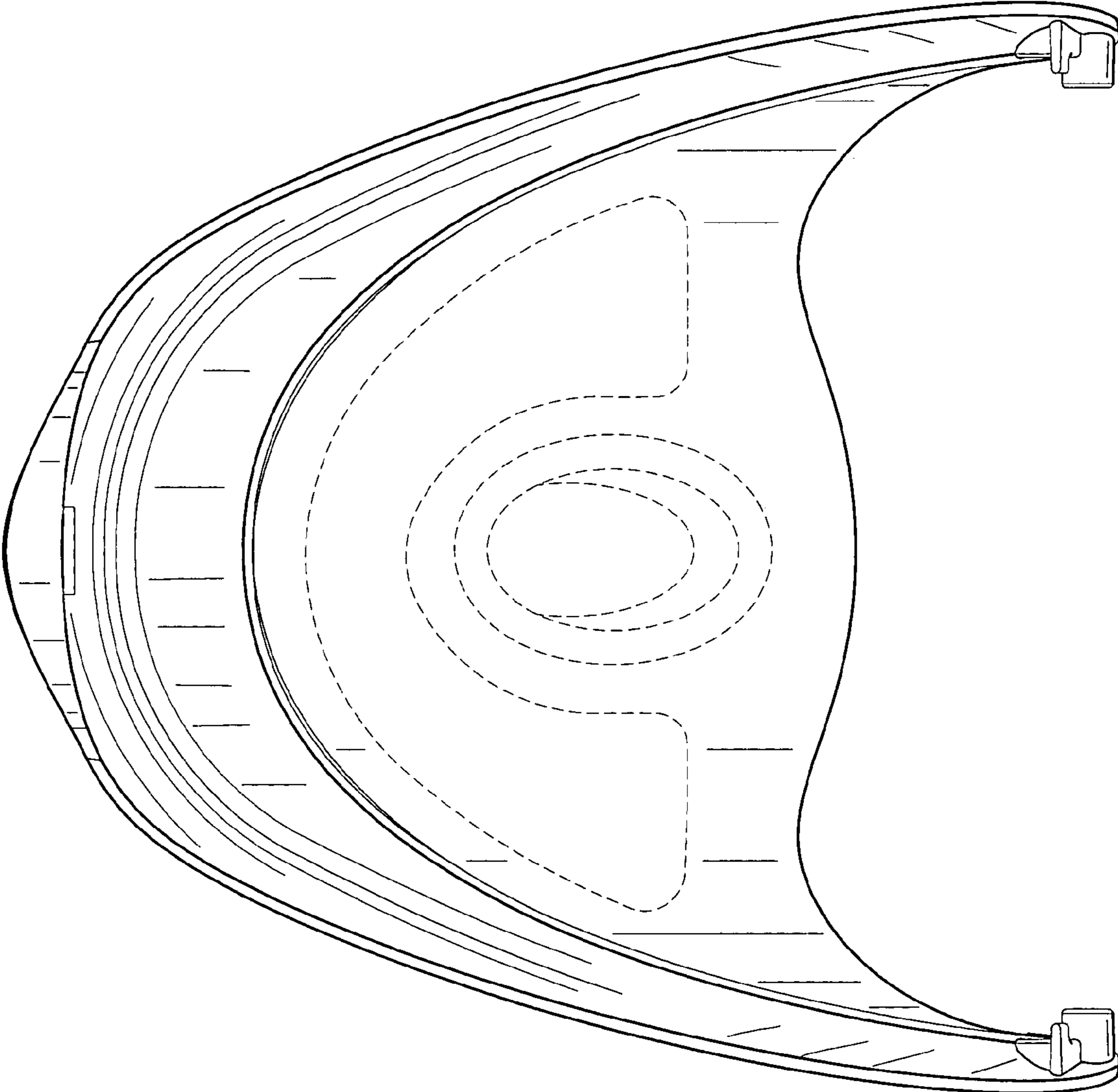


Fig. 2

Fig. 3



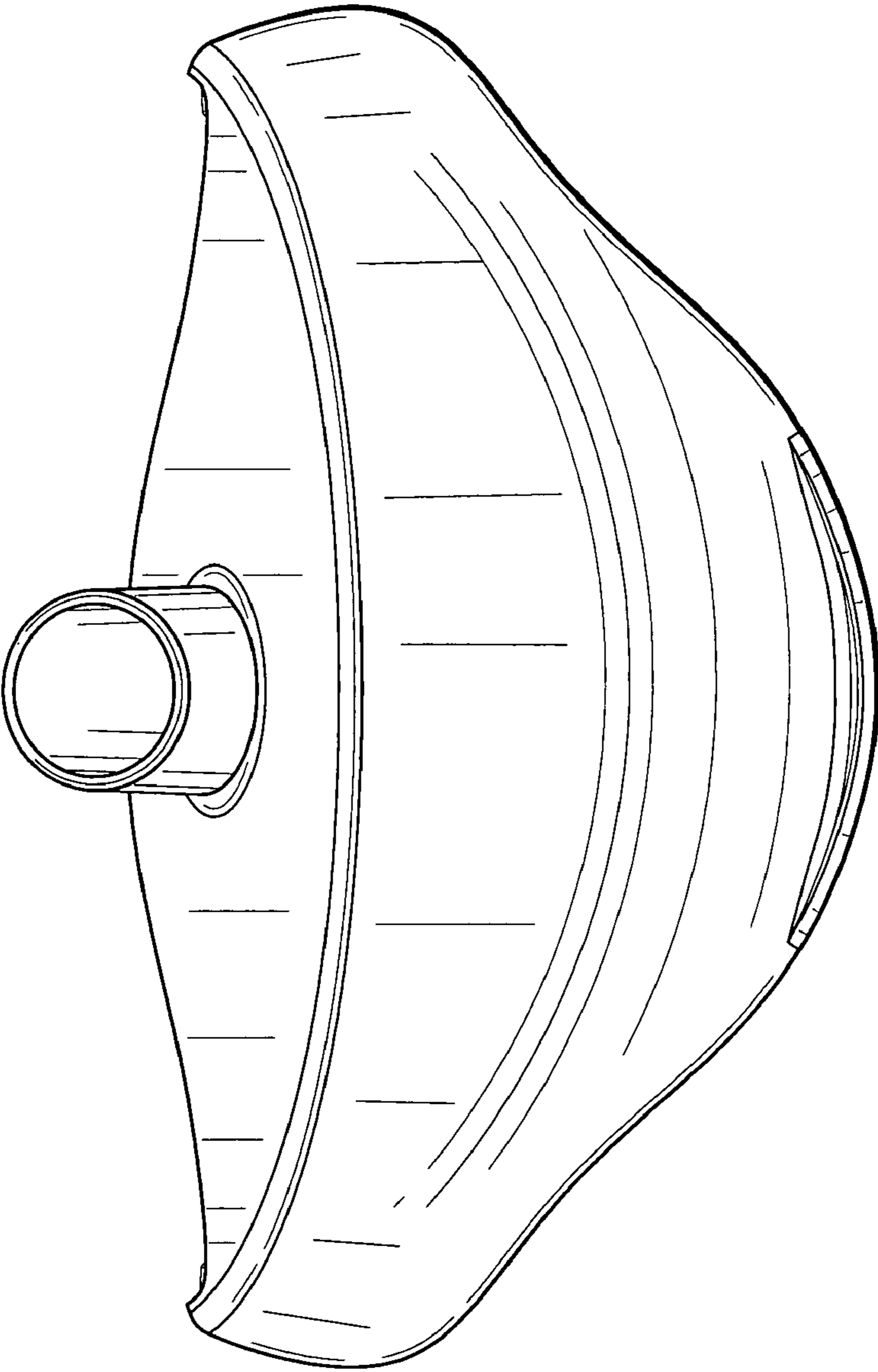


Fig. 4

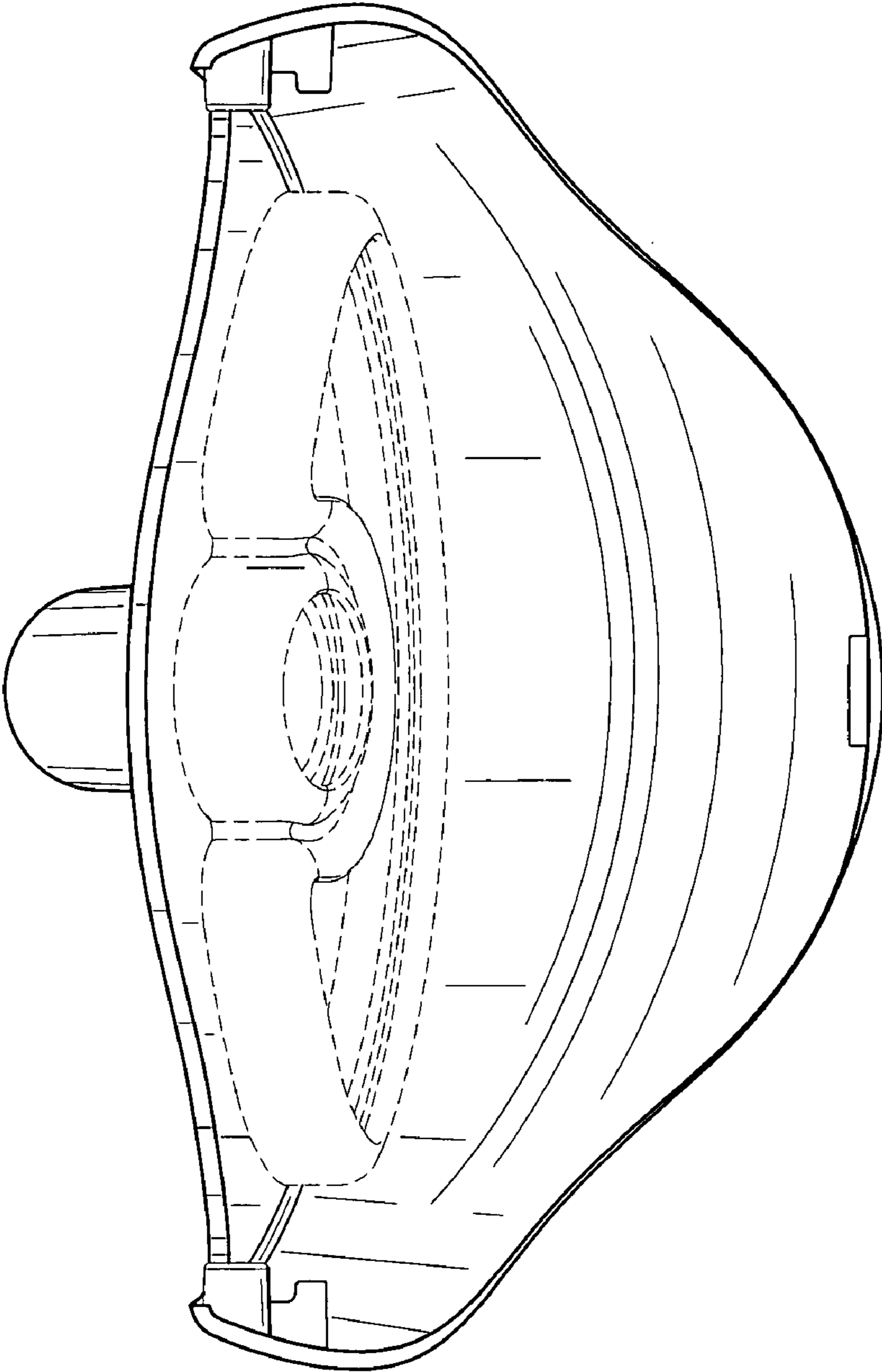


Fig. 5

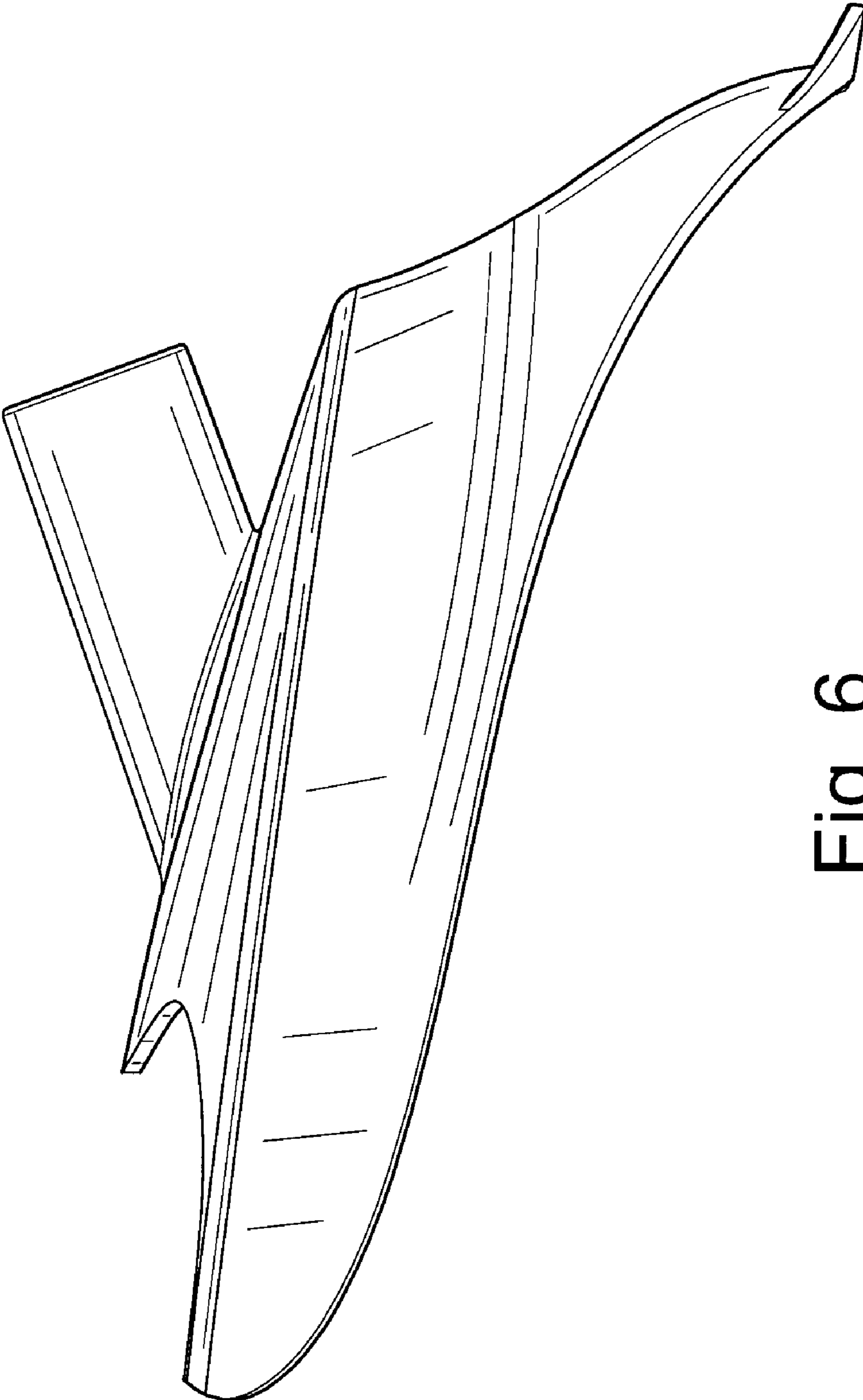


Fig. 6

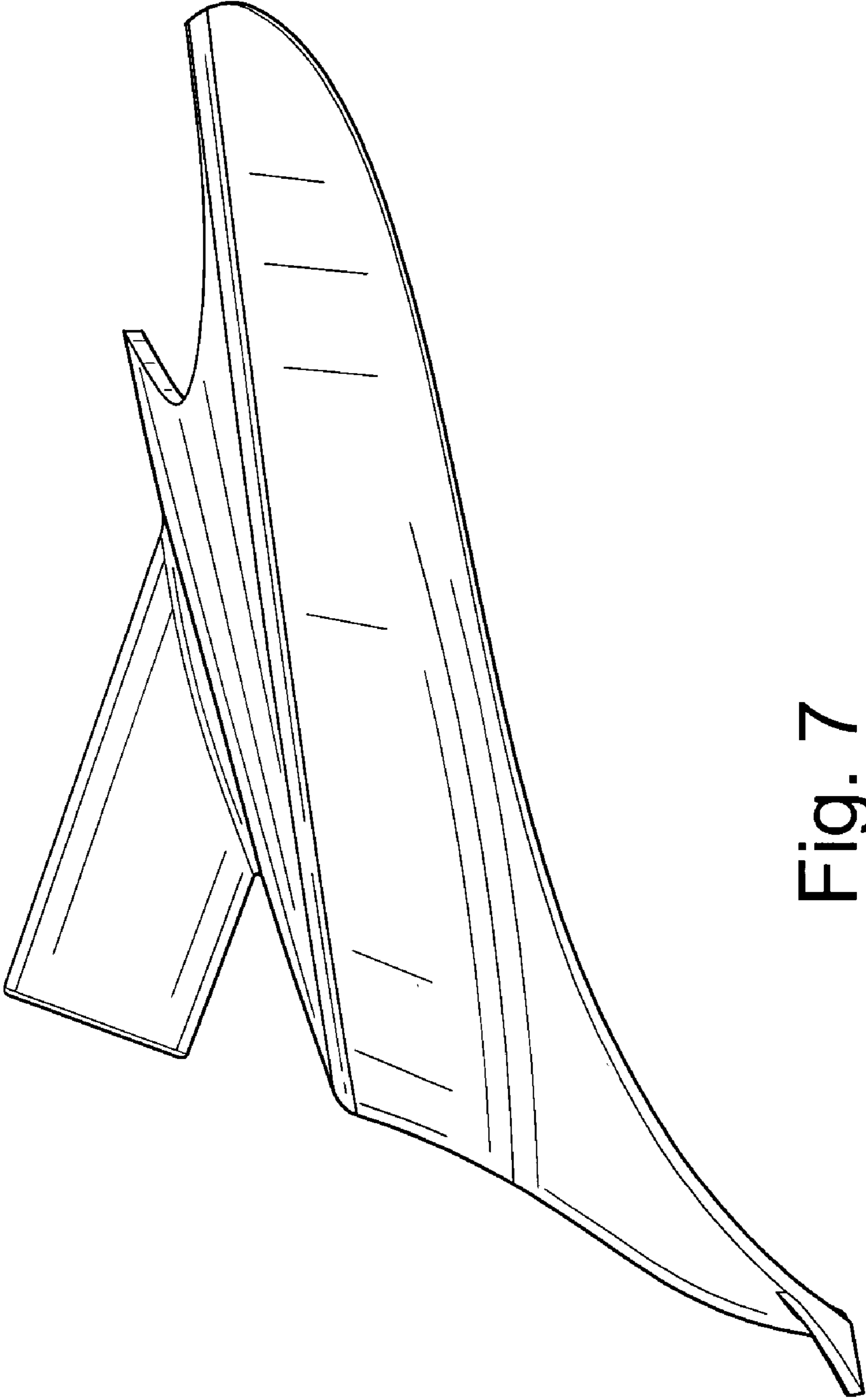


Fig. 7