



US00D557405S

(12) **United States Design Patent**
Tran et al.

(10) **Patent No.:** **US D557,405 S**

(45) **Date of Patent:** **** Dec. 11, 2007**

(54) **SPHERICAL NEBULIZER**

(57) **CLAIM**

(75) Inventors: **Tuan Quoc Tran**, Glen Allen, VA (US);
Amy Laituri Krieg, Gushikawa (JP);
Travis Lontz, Woodford, VA (US)

We claim the ornamental design for a spherical nebulizer, as shown and described.

(73) Assignee: **Pre Holdings, Inc.**, Midlothian, VA (US)

DESCRIPTION

(**) Term: **14 Years**

FIG. 1 is a perspective view of the spherical nebulizer;
FIG. 2 is a front view of the design embodiment shown in FIG. 1;

(21) Appl. No.: **29/266,487**

FIG. 3 is a back view of the design embodiment shown in FIG. 1;

(22) Filed: **Sep. 22, 2006**

FIG. 4 is a right side view of the design embodiment shown in FIG. 1;

(51) **LOC (8) Cl.** **29-02**

FIG. 5 is a top view of the design embodiment shown in FIG. 1;

(52) **U.S. Cl.** **D24/110**

FIG. 6 is a bottom view of the design of embodiment shown in FIG. 1;

(58) **Field of Classification Search** D24/110;
D9/560; D7/608; 128/200.14, 203.12, 200.23,
128/204.21, 205.24, 203.28, 203.14, 205.13
See application file for complete search history.

FIG. 7 is a perspective view of another aspect of the spherical nebulizer;

(56) **References Cited**

FIG. 8 is a front view of the design embodiment shown in FIG. 7;

U.S. PATENT DOCUMENTS

FIG. 9 is a back view of the design embodiment shown in FIG. 7;

D331,281 S * 11/1992 Levine D24/110

FIG. 10 is a right side view of the design embodiment shown in FIG. 7;

5,415,161 A * 5/1995 Ryder 128/200.23

FIG. 11 is a top view of the design embodiment shown in FIG. 7; and,

5,853,002 A * 12/1998 Kawasaki 128/200.14

FIG. 12 is a bottom view of the design embodiment shown in FIG. 7.

D441,069 S * 4/2001 Hammarlund et al. D24/110

6,578,571 B1 * 6/2003 Watt 128/200.14

2006/0021613 A1 * 2/2006 Overlander 128/200.14

* cited by examiner

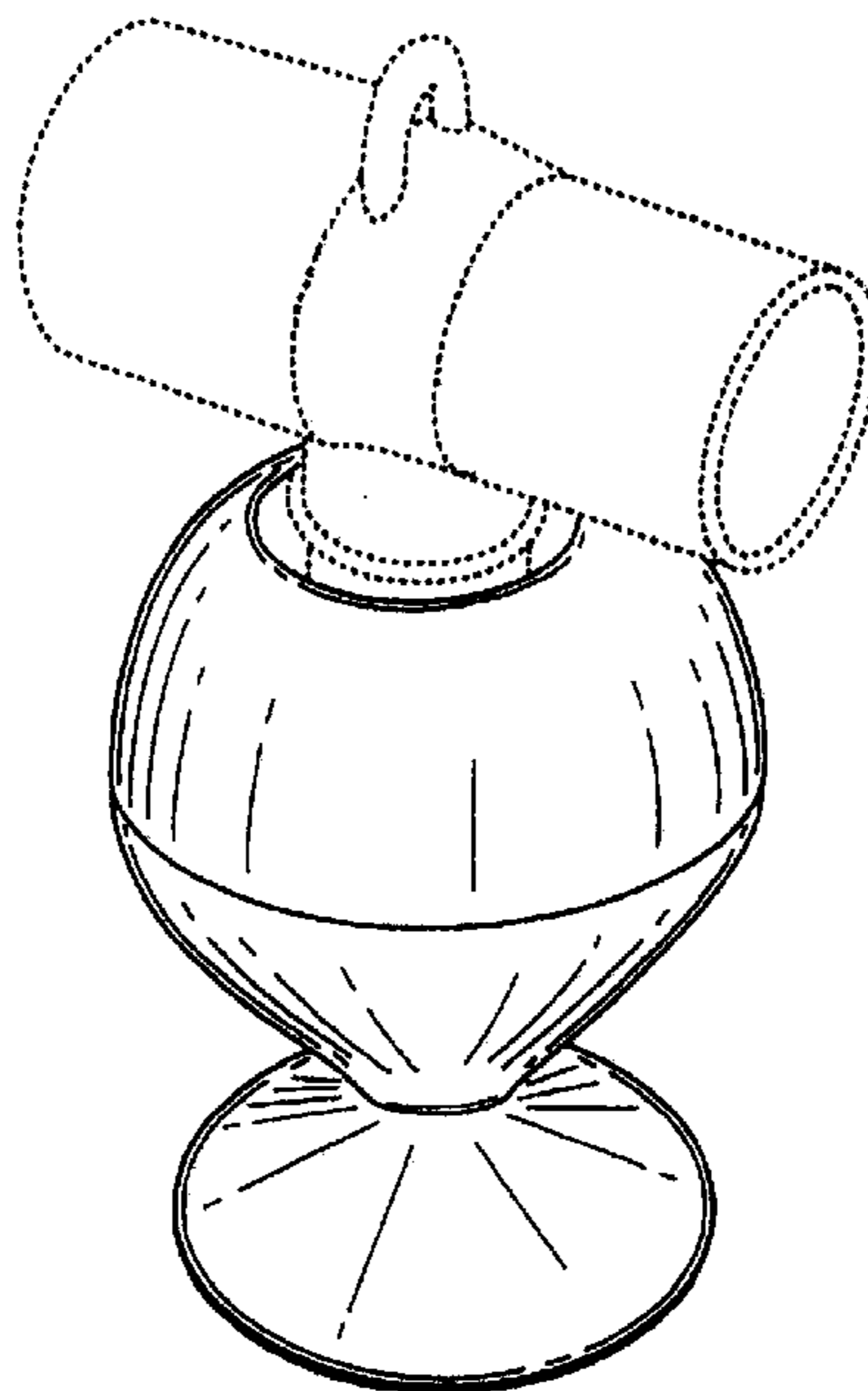
The portion of the article in broken lines shown in FIGS. 1-12 are for illustrative purposes only and form no part of the claimed design.

Primary Examiner—Ian Simmons

Assistant Examiner—Christopher Lee

(74) *Attorney, Agent, or Firm*—McGuireWoods LLP

1 Claim, 8 Drawing Sheets



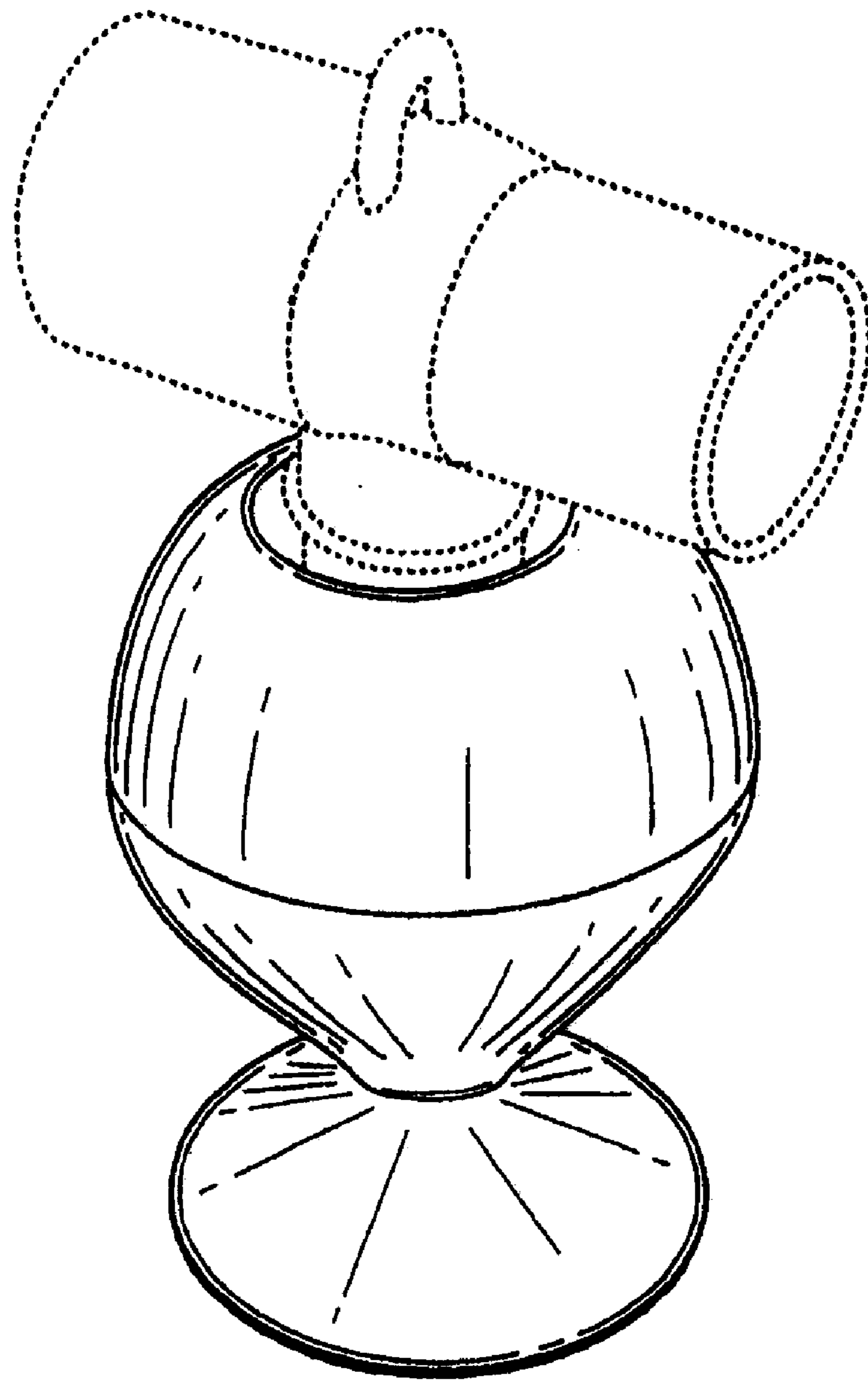


Fig. 1

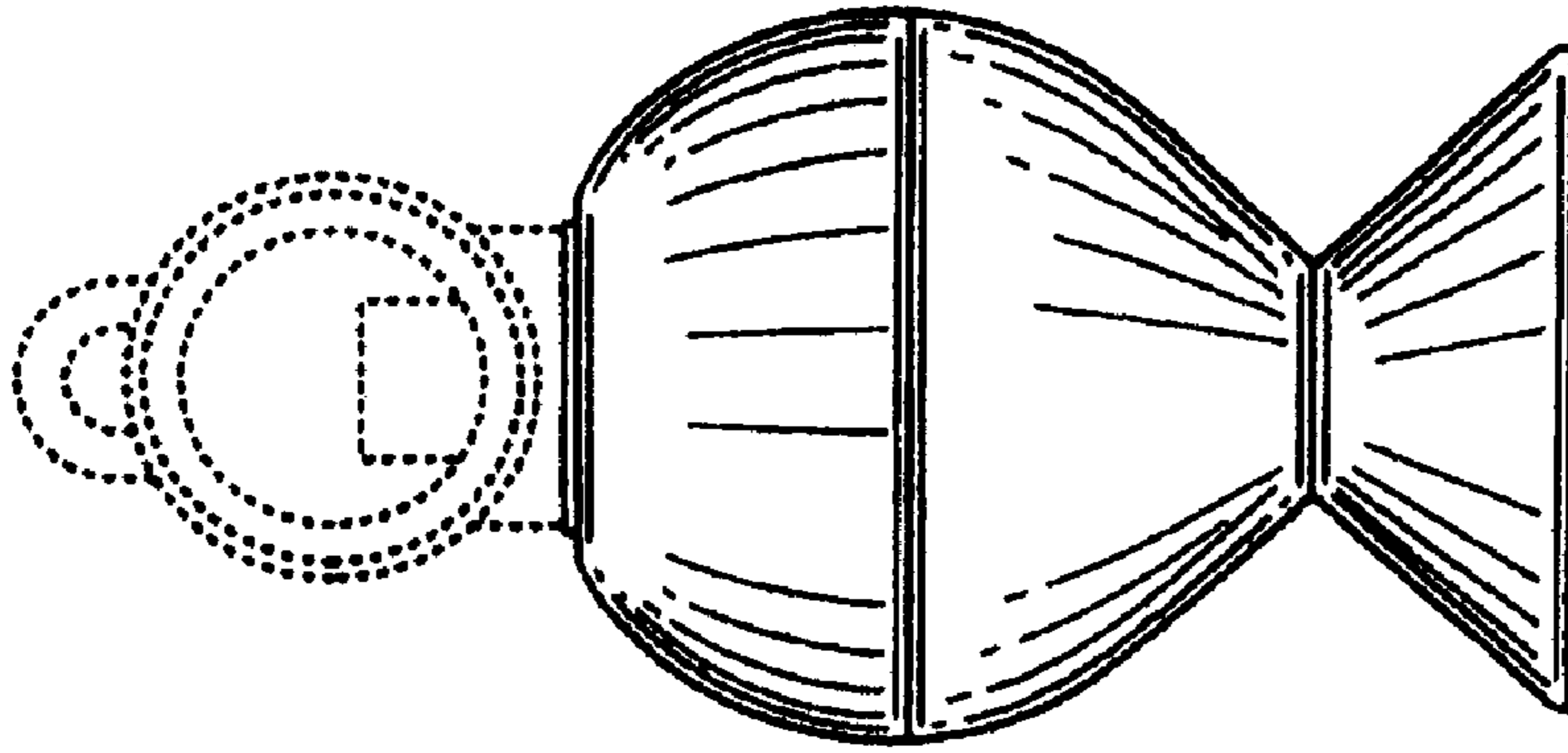


Fig. 3

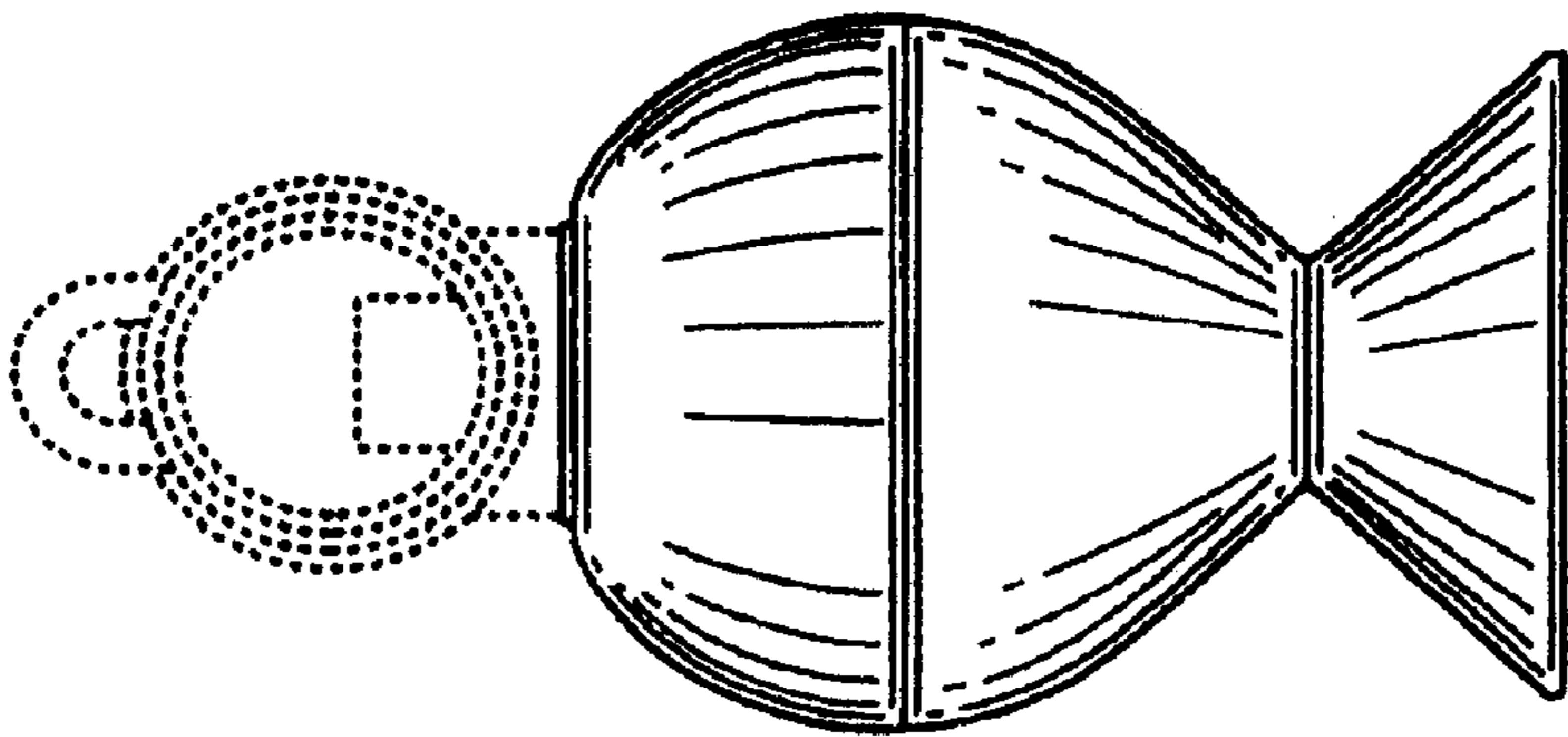


Fig. 2

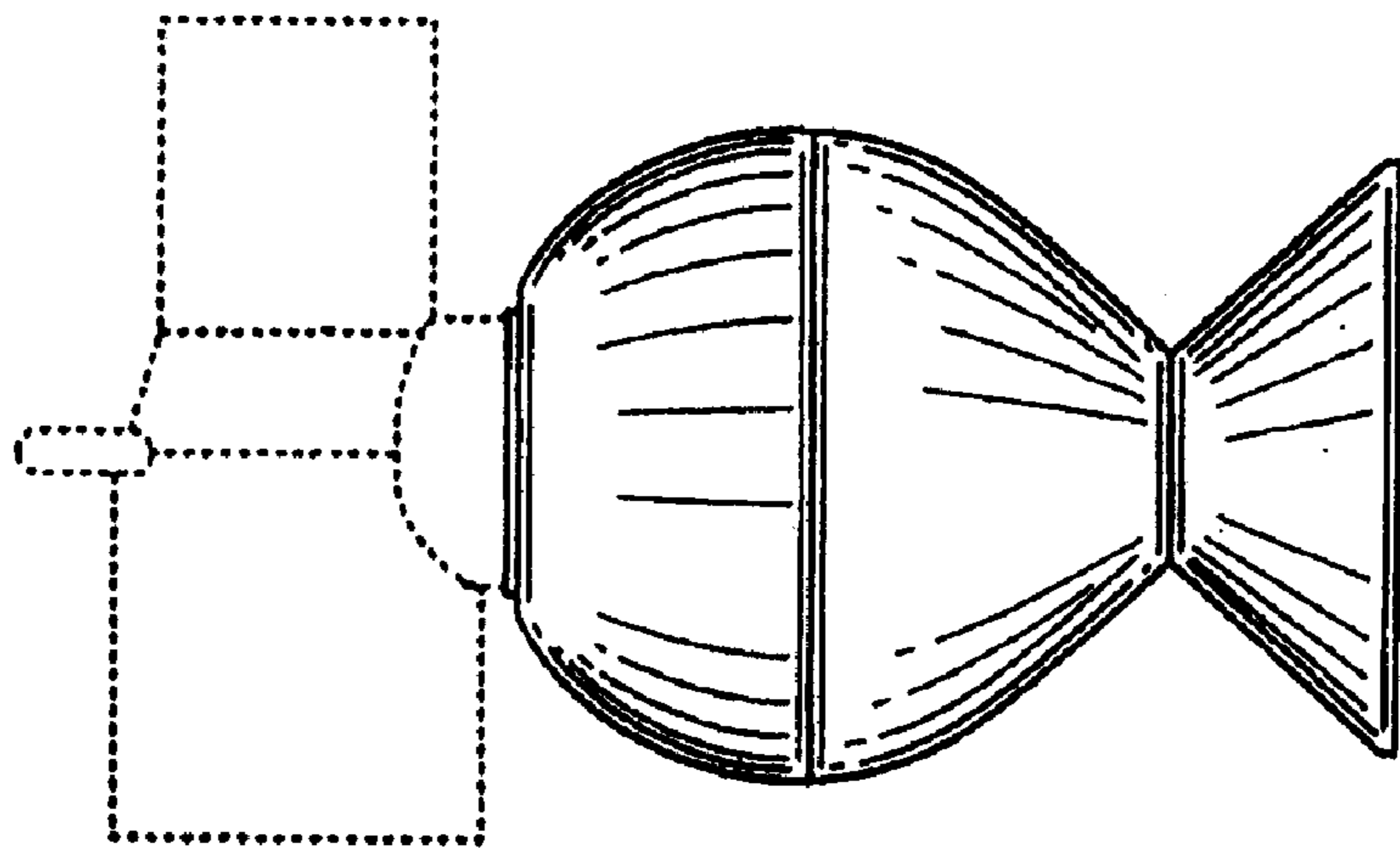


Fig. 4

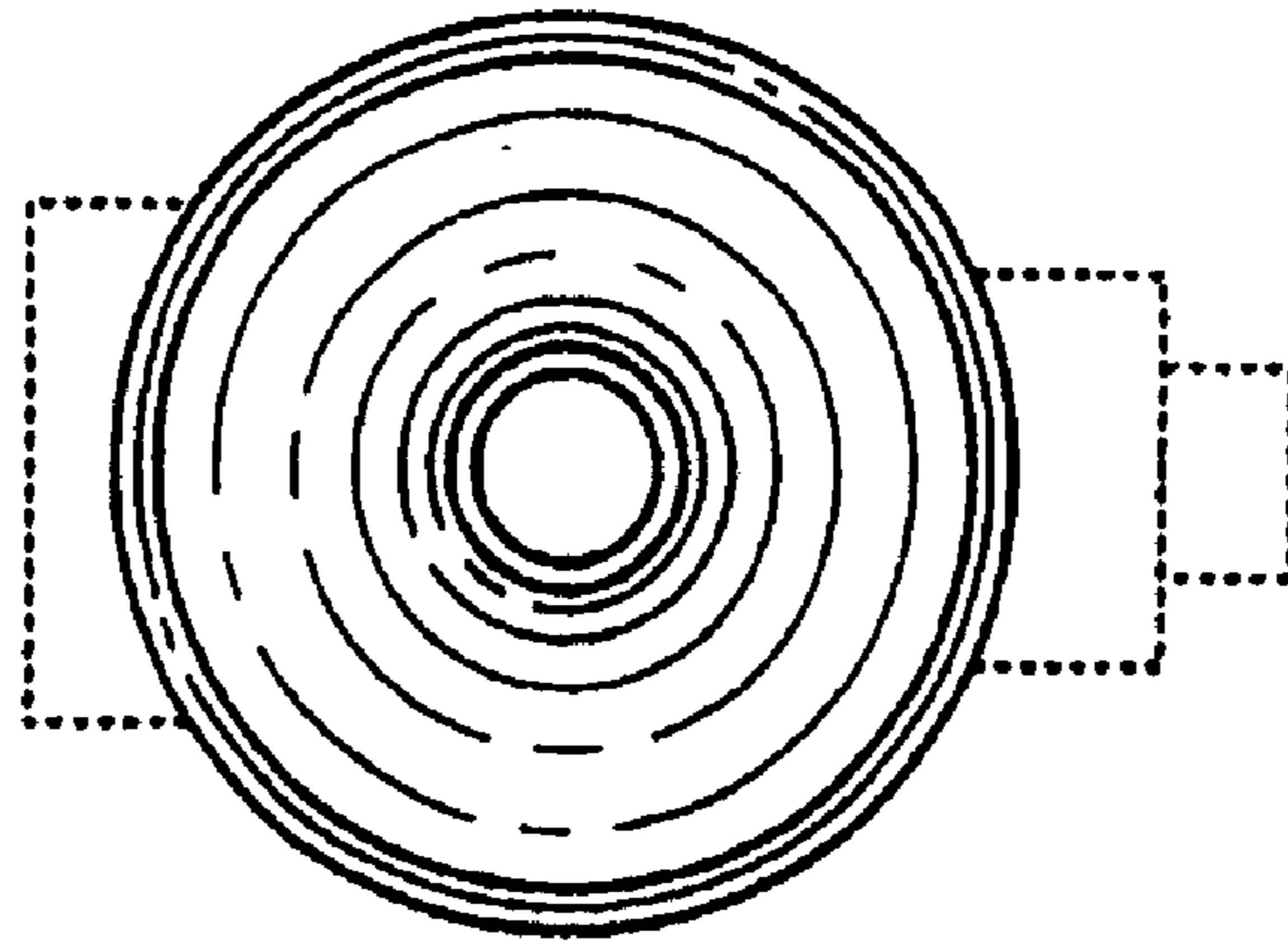


Fig. 6

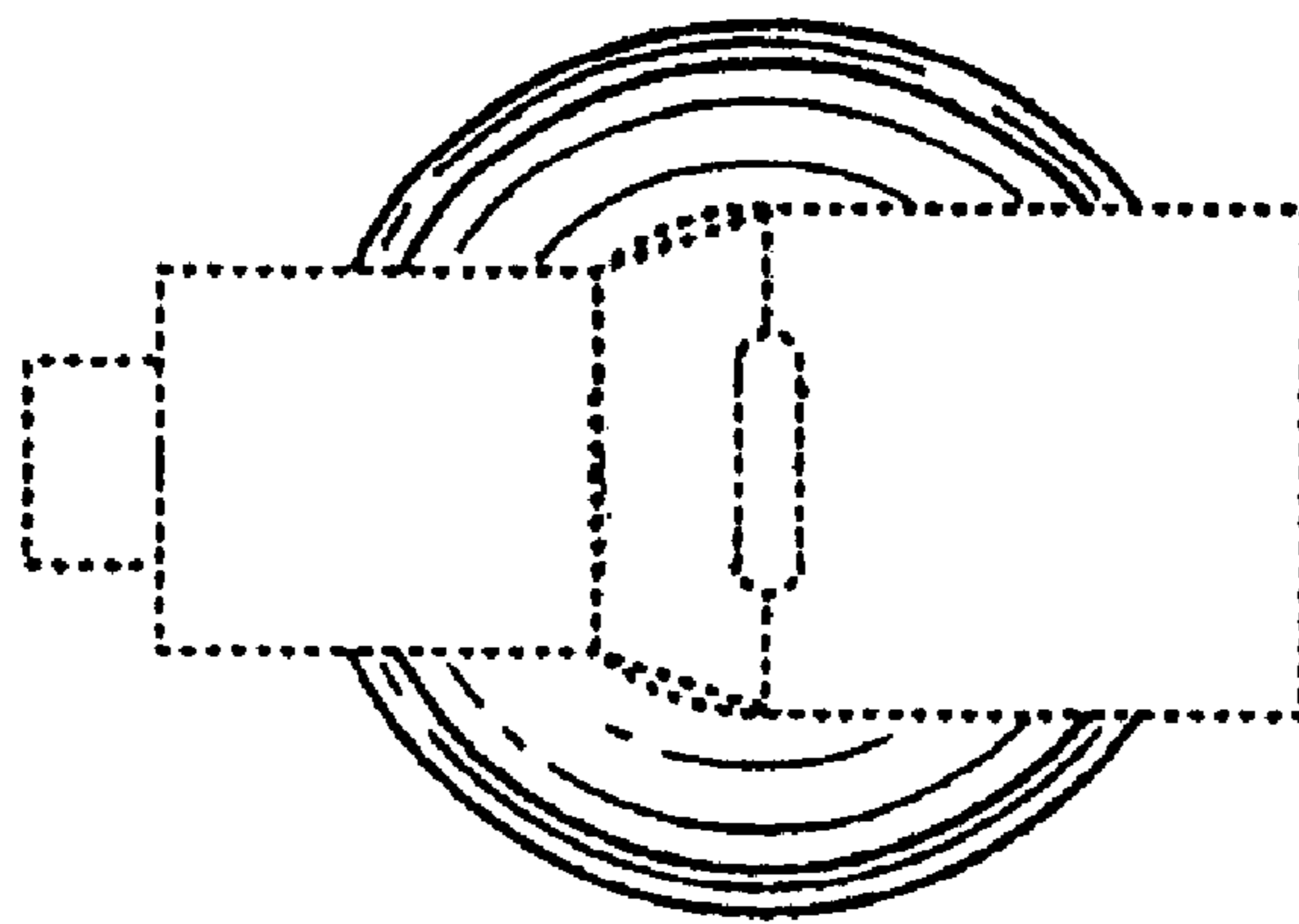


Fig. 5

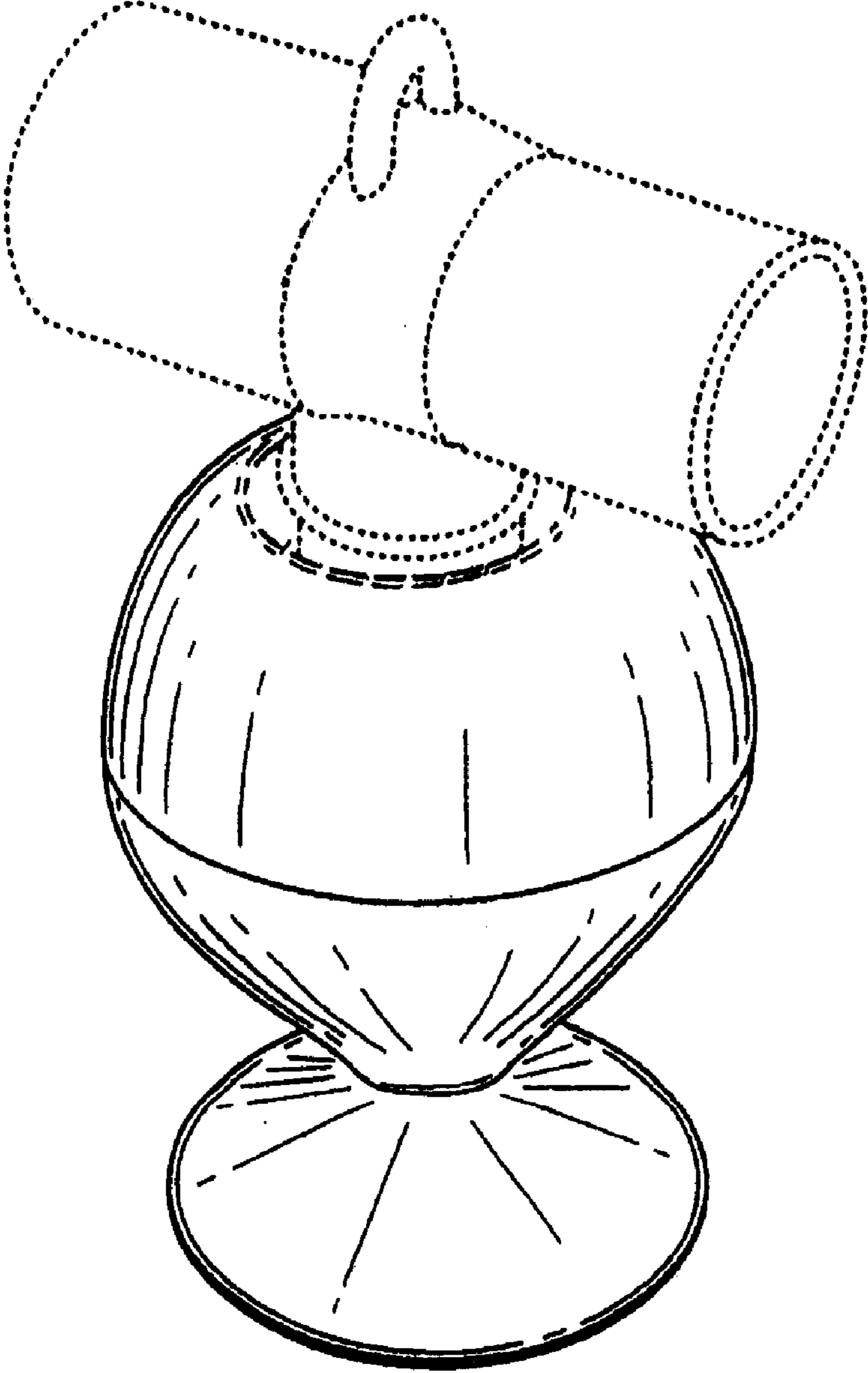


Fig. 7

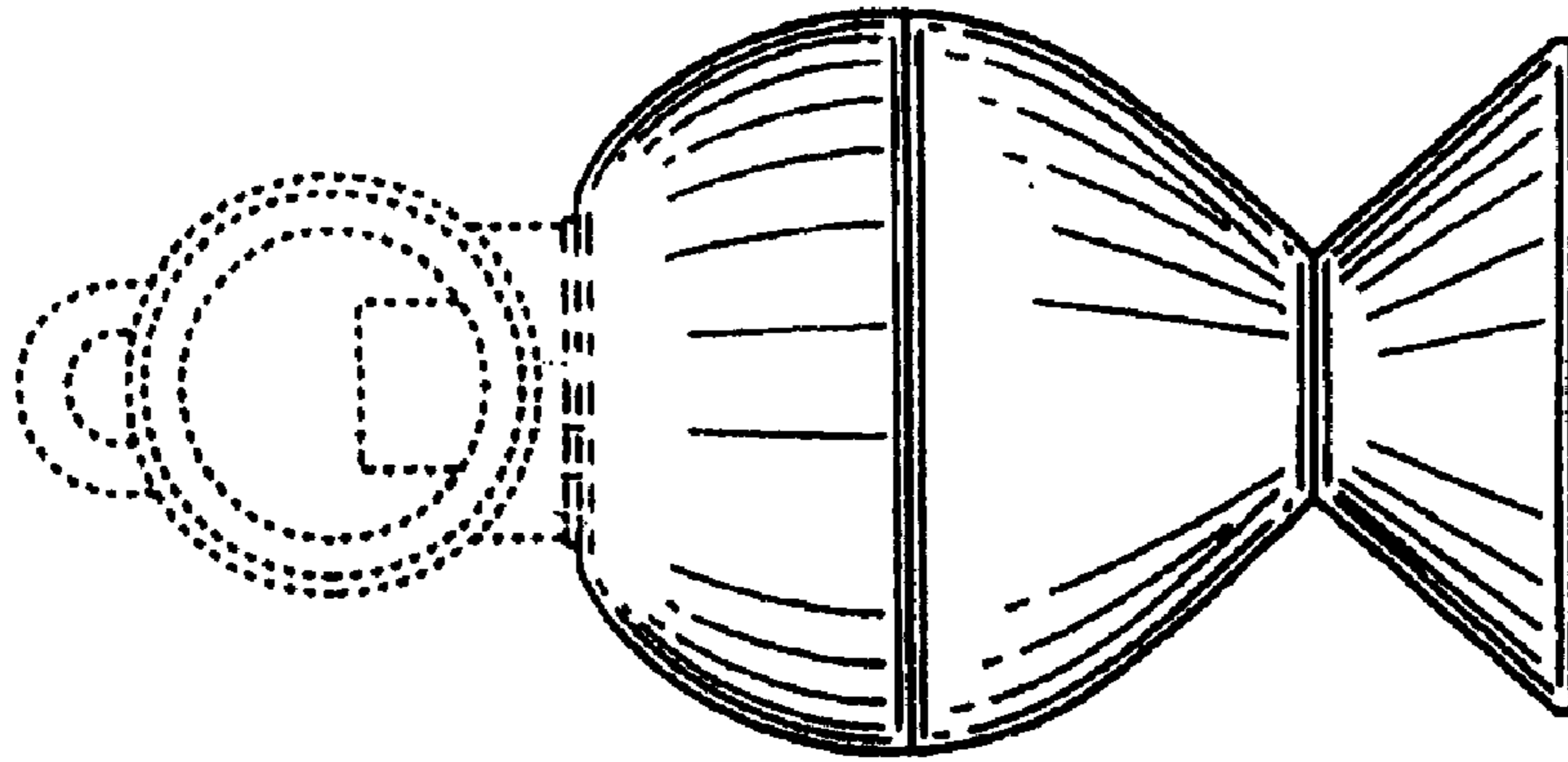


Fig. 9

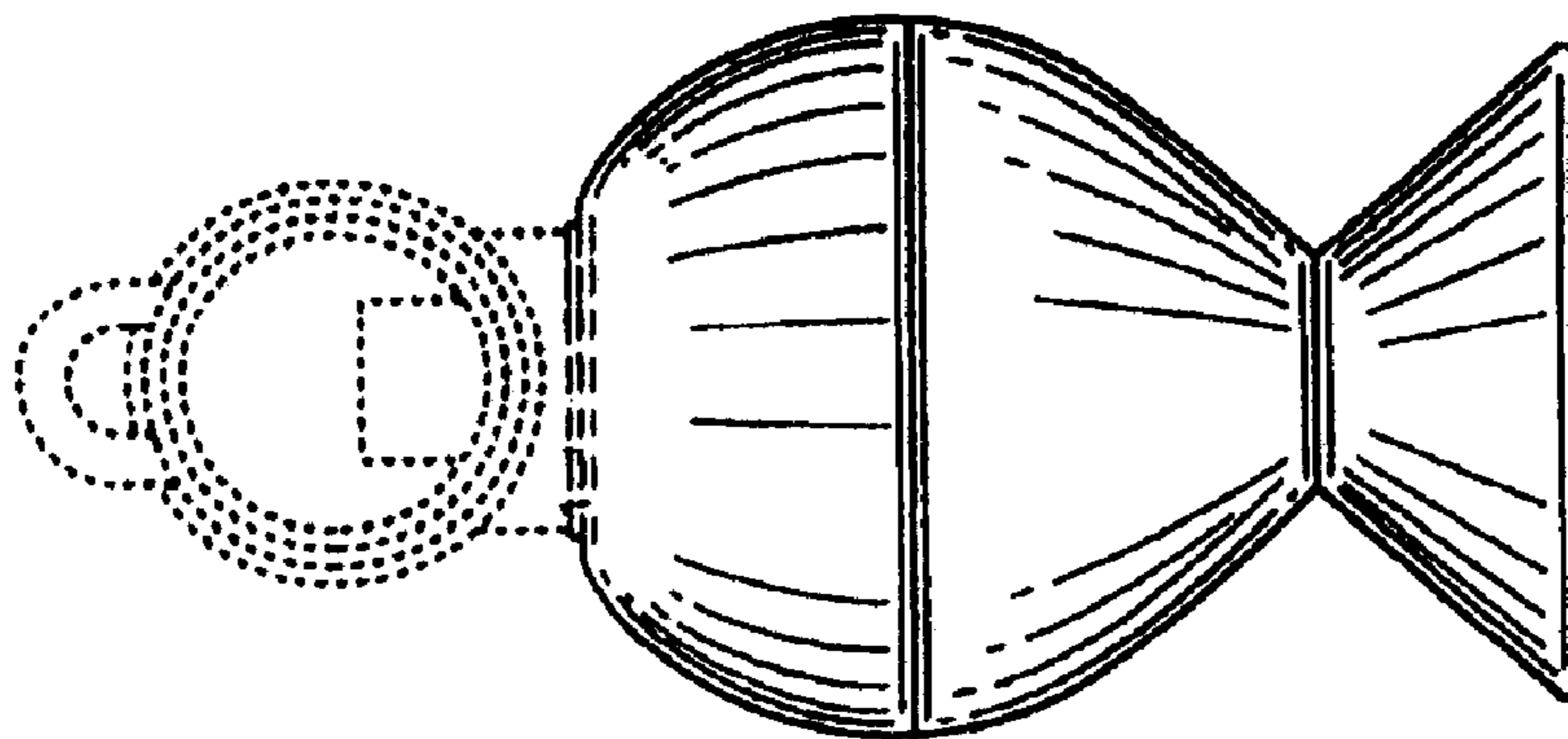


Fig. 8

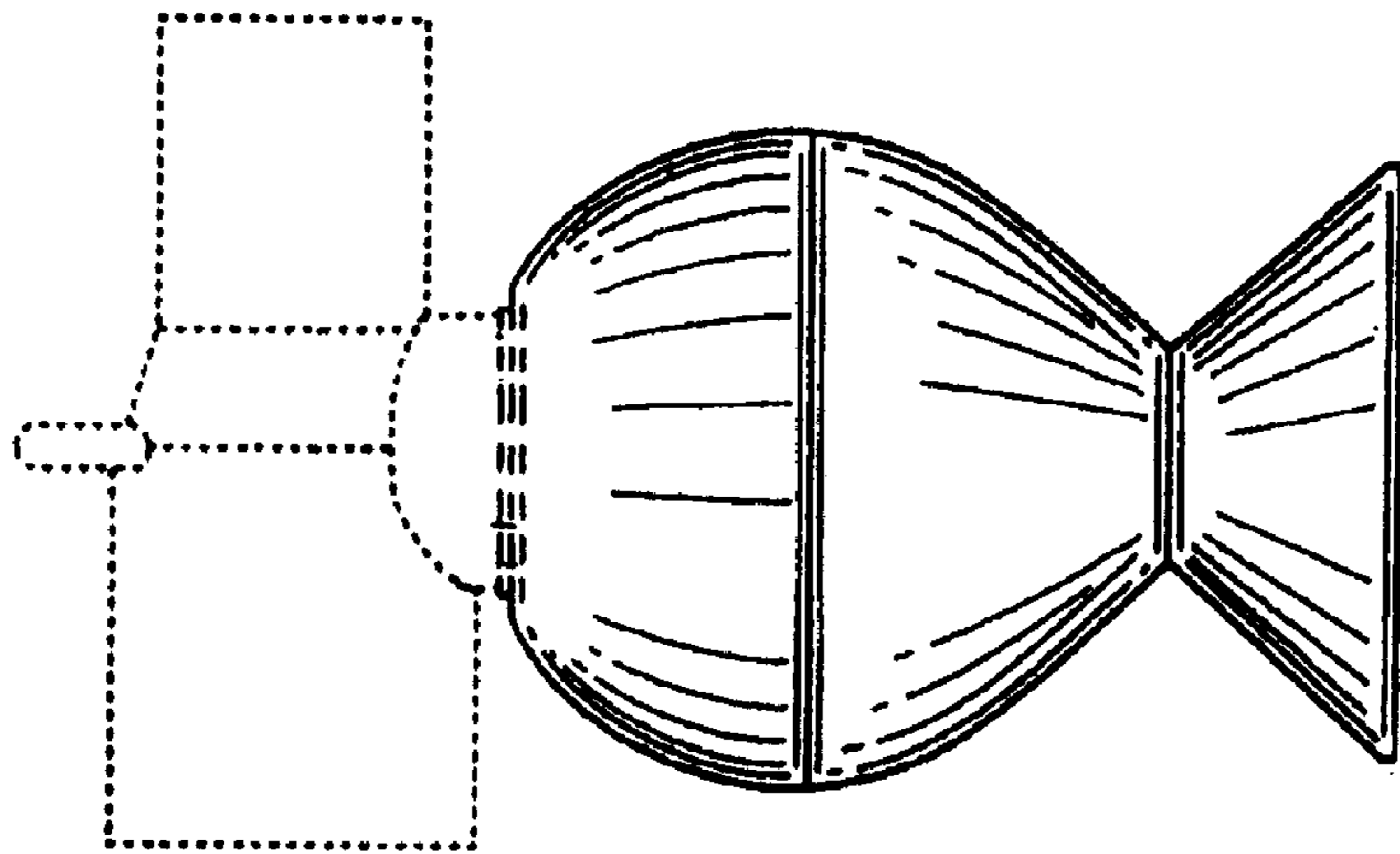


Fig. 10

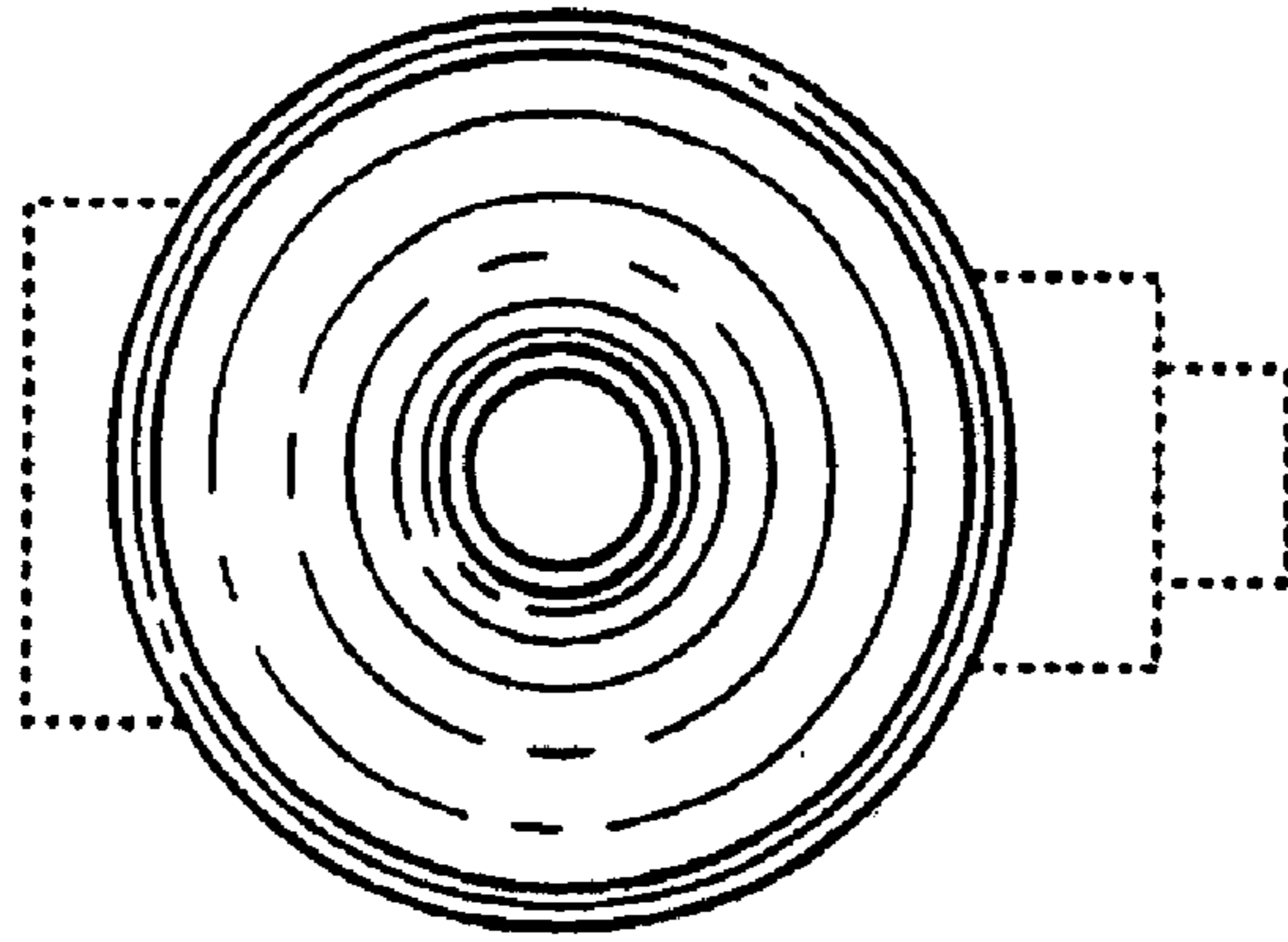


Fig. 12

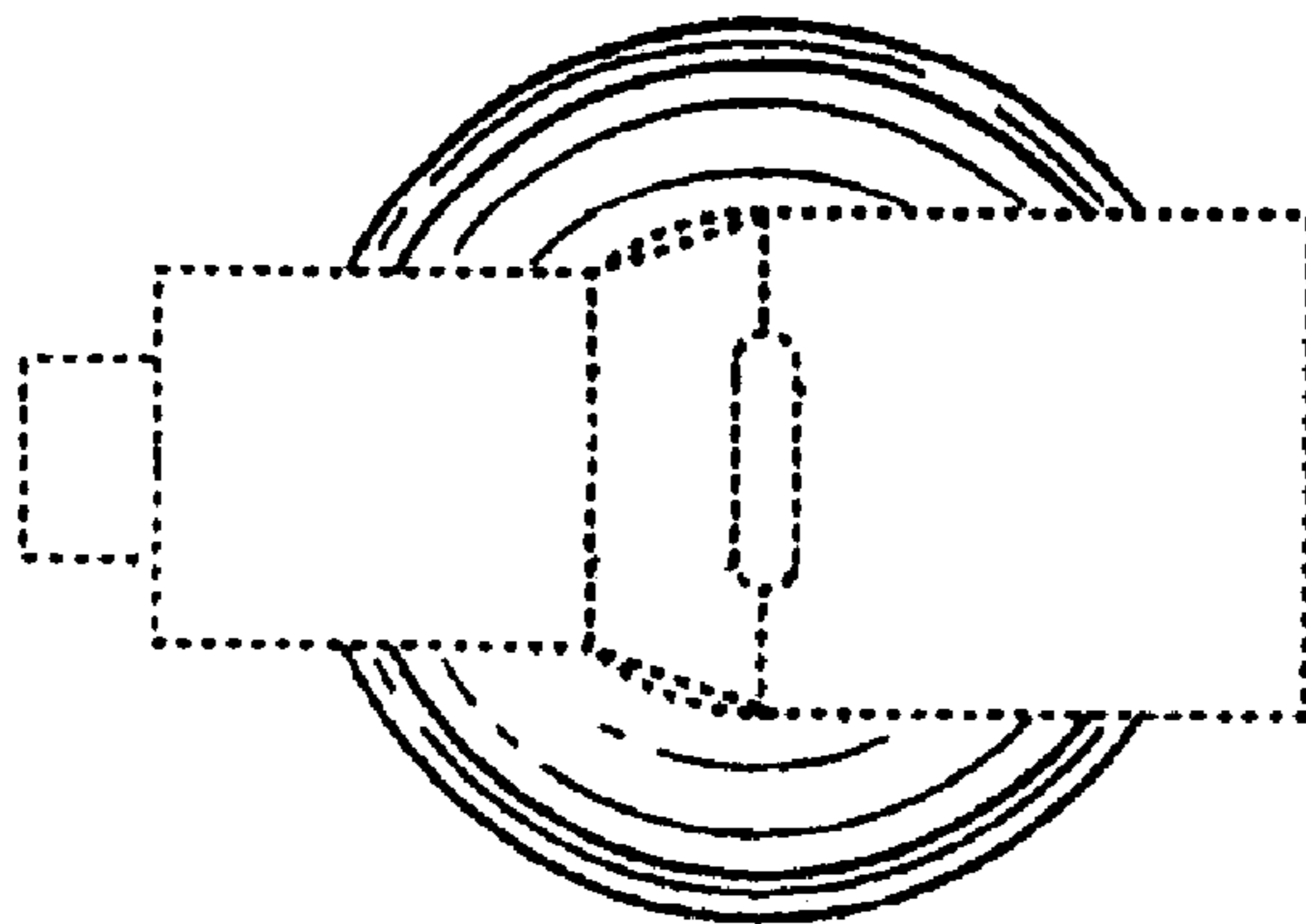


Fig. 11