



US00D557404S

(12) **United States Design Patent**
Kristensen et al.

(10) **Patent No.:** **US D557,404 S**

(45) **Date of Patent:** **** Dec. 11, 2007**

(54) **RESUSCITATOR**

(75) Inventors: **Jakob Bønnelykke Kristensen**,
Ølstykke (DK); **Peer Hoffmann**,
Stenløse (DK)

(73) Assignee: **AMBU A/S**, Ballerup (DK)

(**) Term: **14 Years**

(21) Appl. No.: **29/221,387**

(22) Filed: **Jan. 18, 2005**

(51) **LOC (8) Cl.** **29-02**

(52) **U.S. Cl.** **D24/110; D24/164**

(58) **Field of Classification Search** D24/110,
D24/110.1-6; 128/204.18, 205.13, 202.28,
128/205.23, 205.24, 200.22, 203.11, 203.12,
128/204.25, 205.17

See application file for complete search history.

(56) **References Cited**

U.S. PATENT DOCUMENTS

D335,552 S * 5/1993 Kohnke D24/110.5
5,791,340 A * 8/1998 Schleufe et al. 128/203.28

5,803,074 A * 9/1998 Pope 128/205.24
2004/0089296 A1 * 5/2004 Bowden 128/203.12
2005/0039751 A1 * 2/2005 Pagan 128/205.13

* cited by examiner

Primary Examiner—Ian Simmons

Assistant Examiner—Christopher Lee

(74) *Attorney, Agent, or Firm*—Dykema Gossett PLLC

(57) **CLAIM**

The ornamental design for a resuscitator, as shown.

DESCRIPTION

FIG. 1 is a right side view of a resuscitator showing our new design,

FIG. 2 is a front view thereof,

FIG. 3 is a left side view thereof,

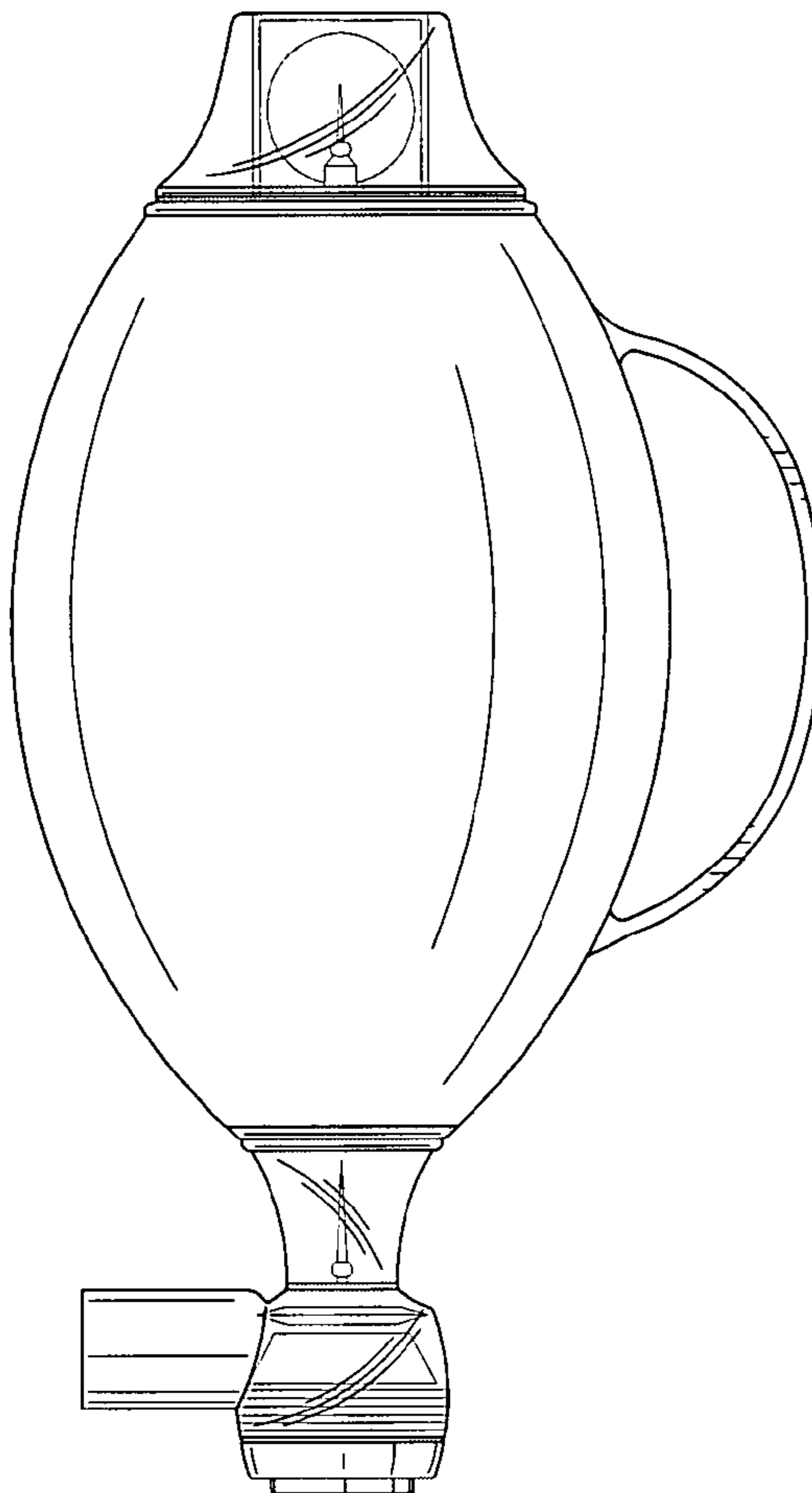
FIG. 4 is a bottom plan view thereof,

FIG. 5 is a top plan view thereof,

FIG. 6 is a first perspective view thereof; and,

FIG. 7 is a second perspective view thereof.

1 Claim, 5 Drawing Sheets



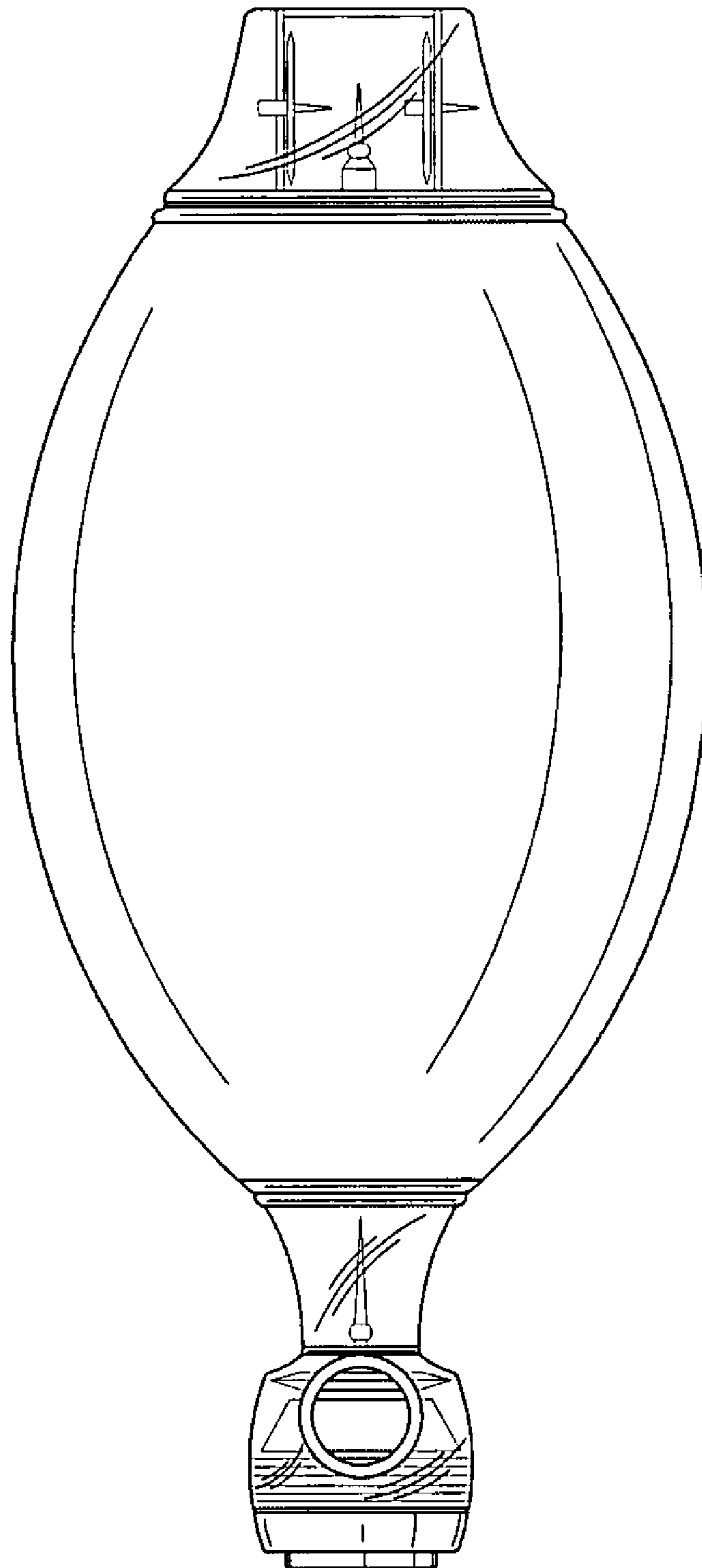


FIG. 1

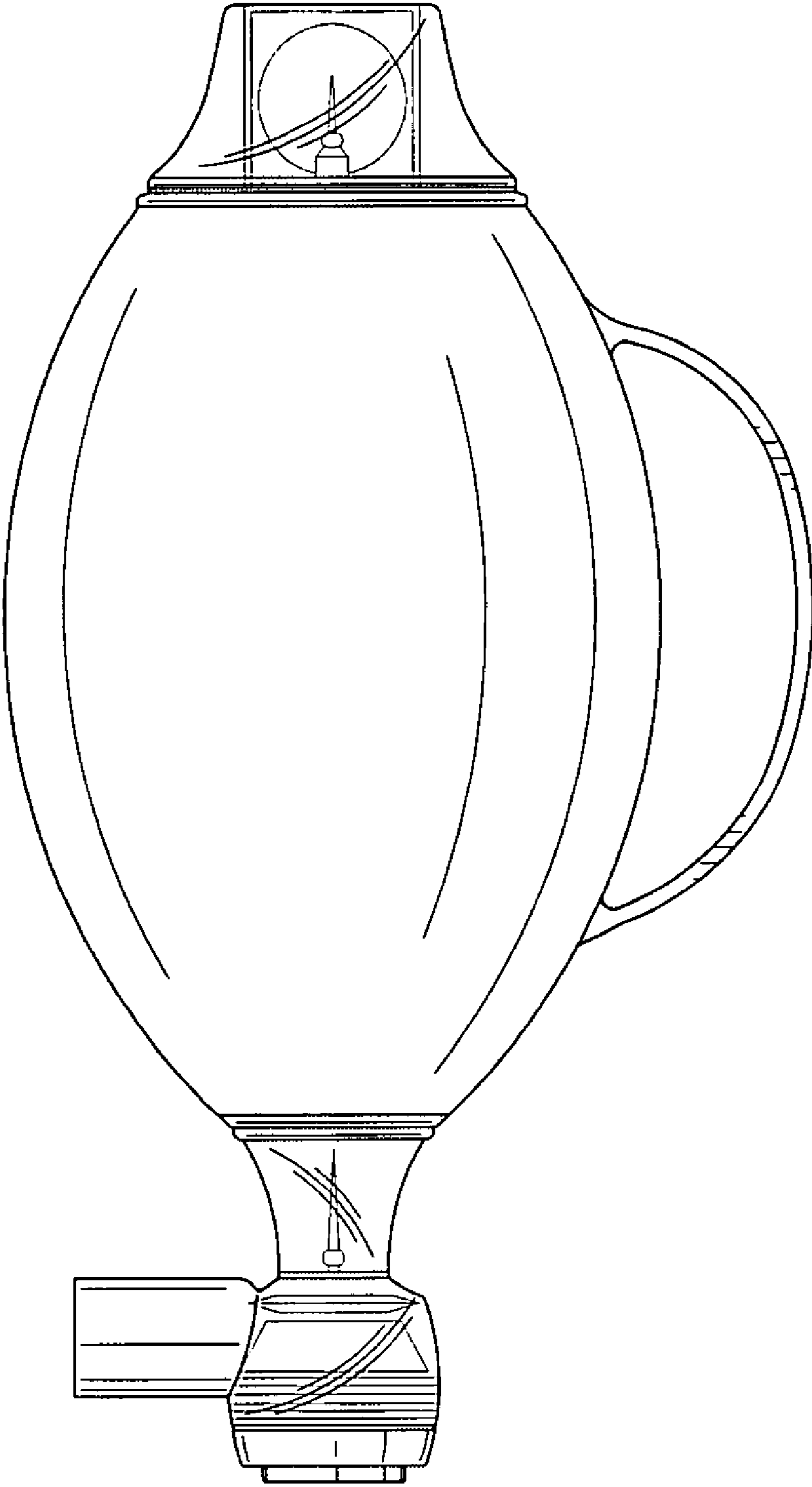


FIG. 2

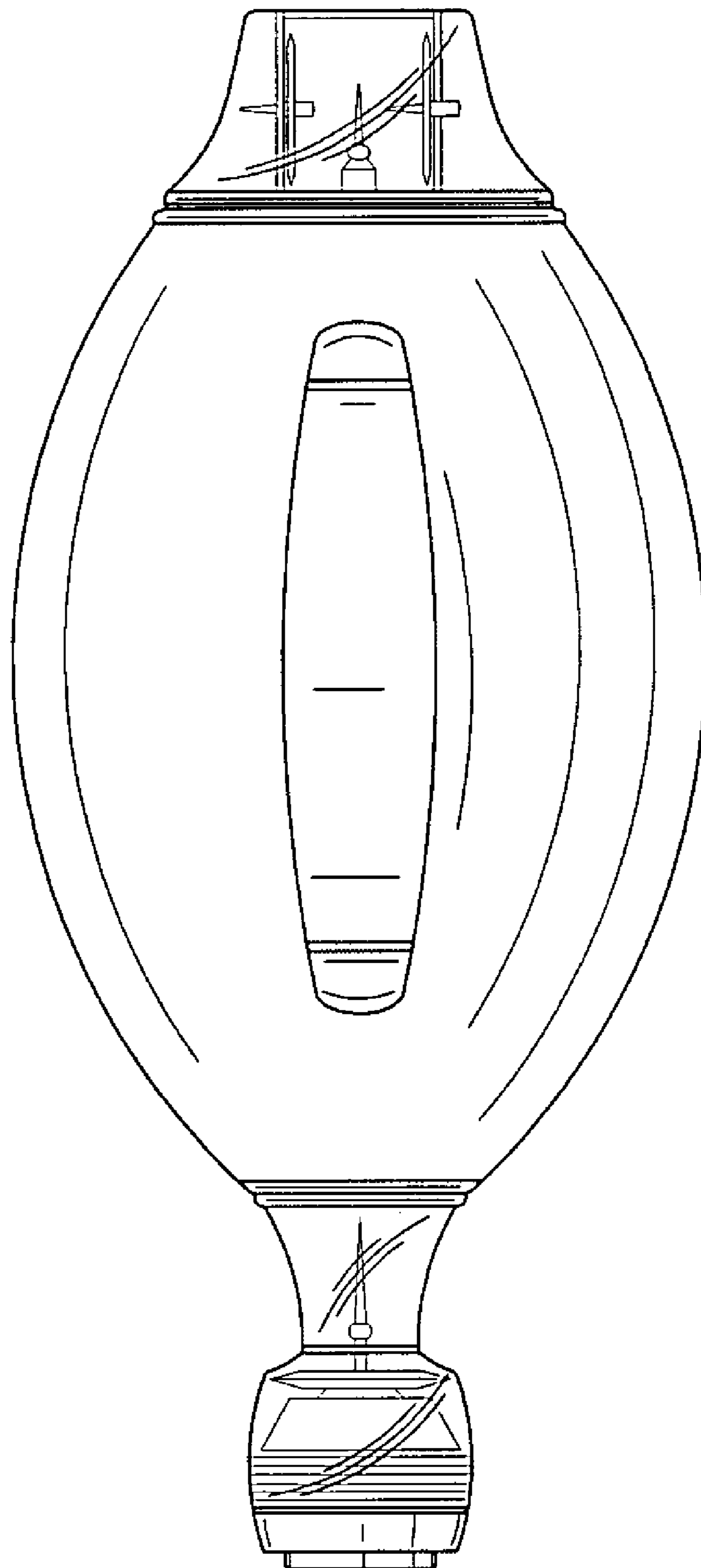


FIG. 3

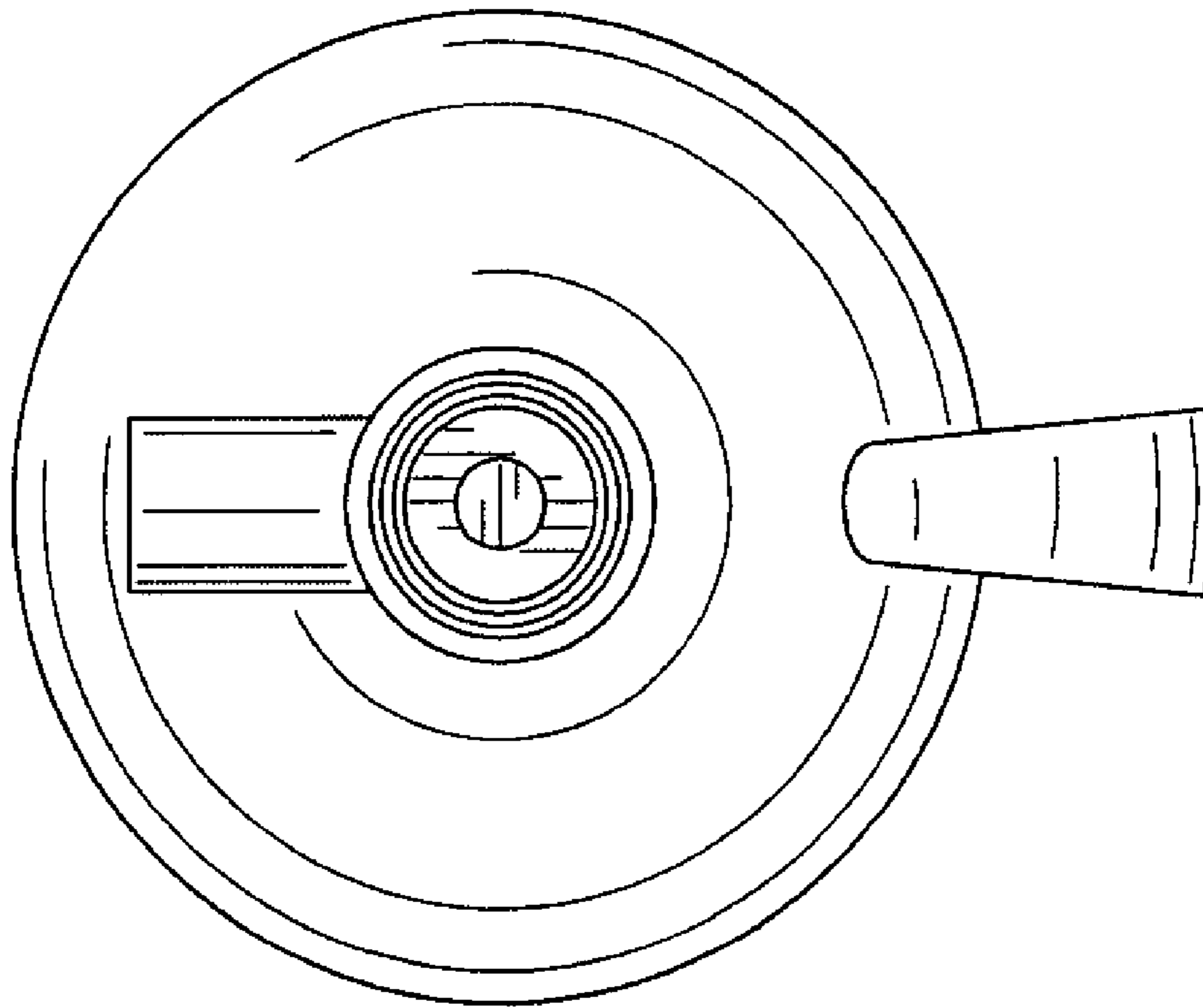


FIG. 4

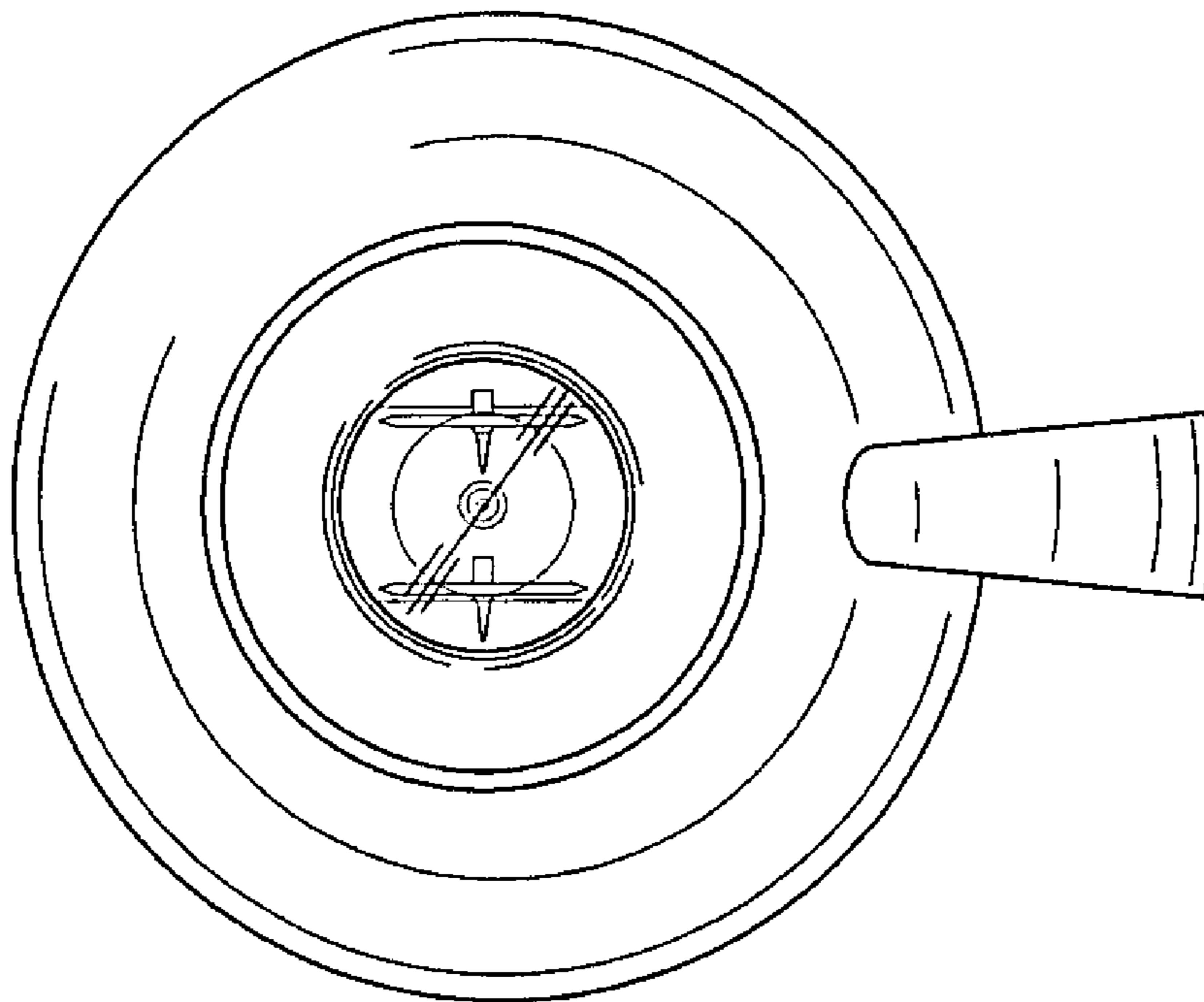


FIG. 5

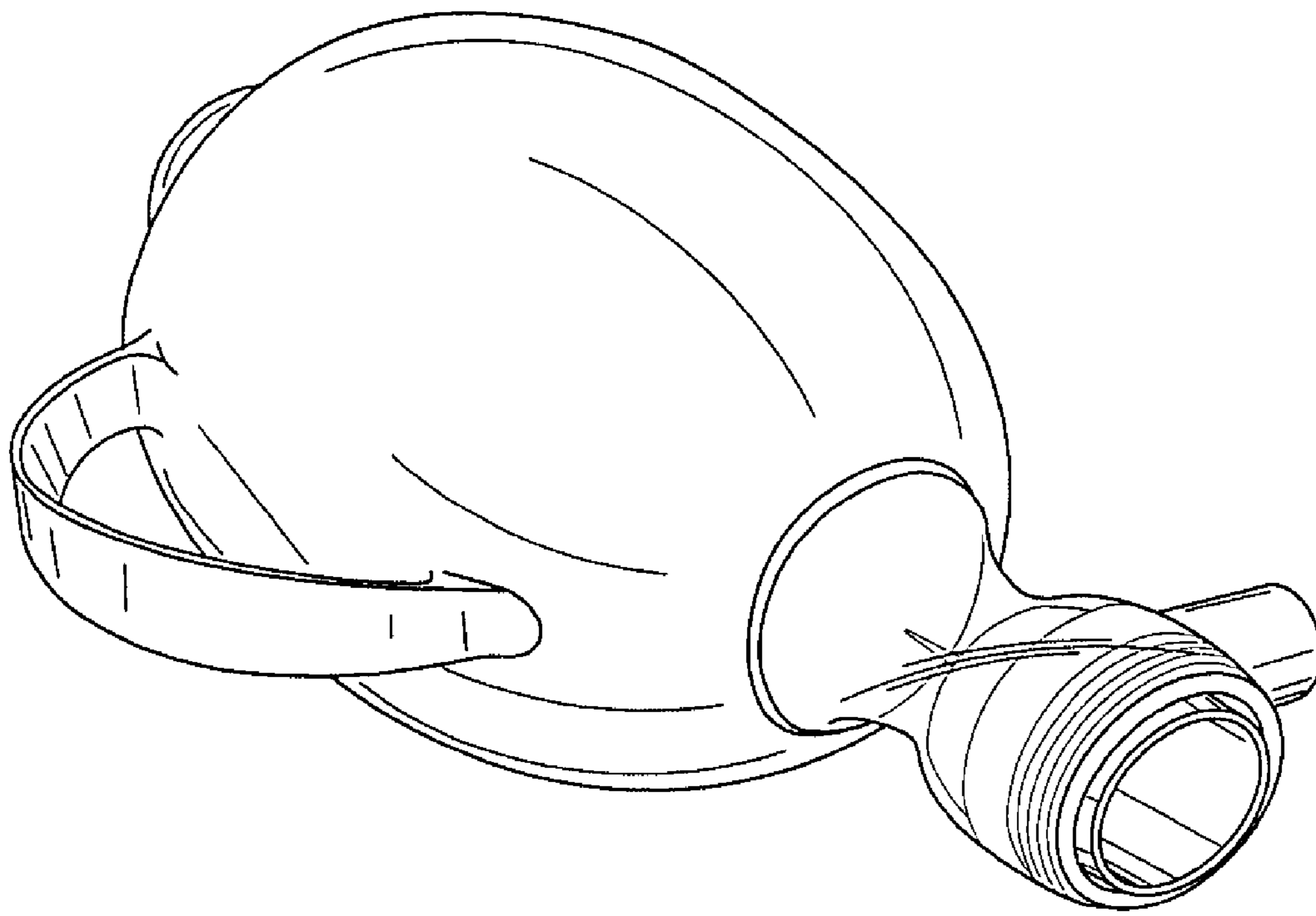


FIG. 6

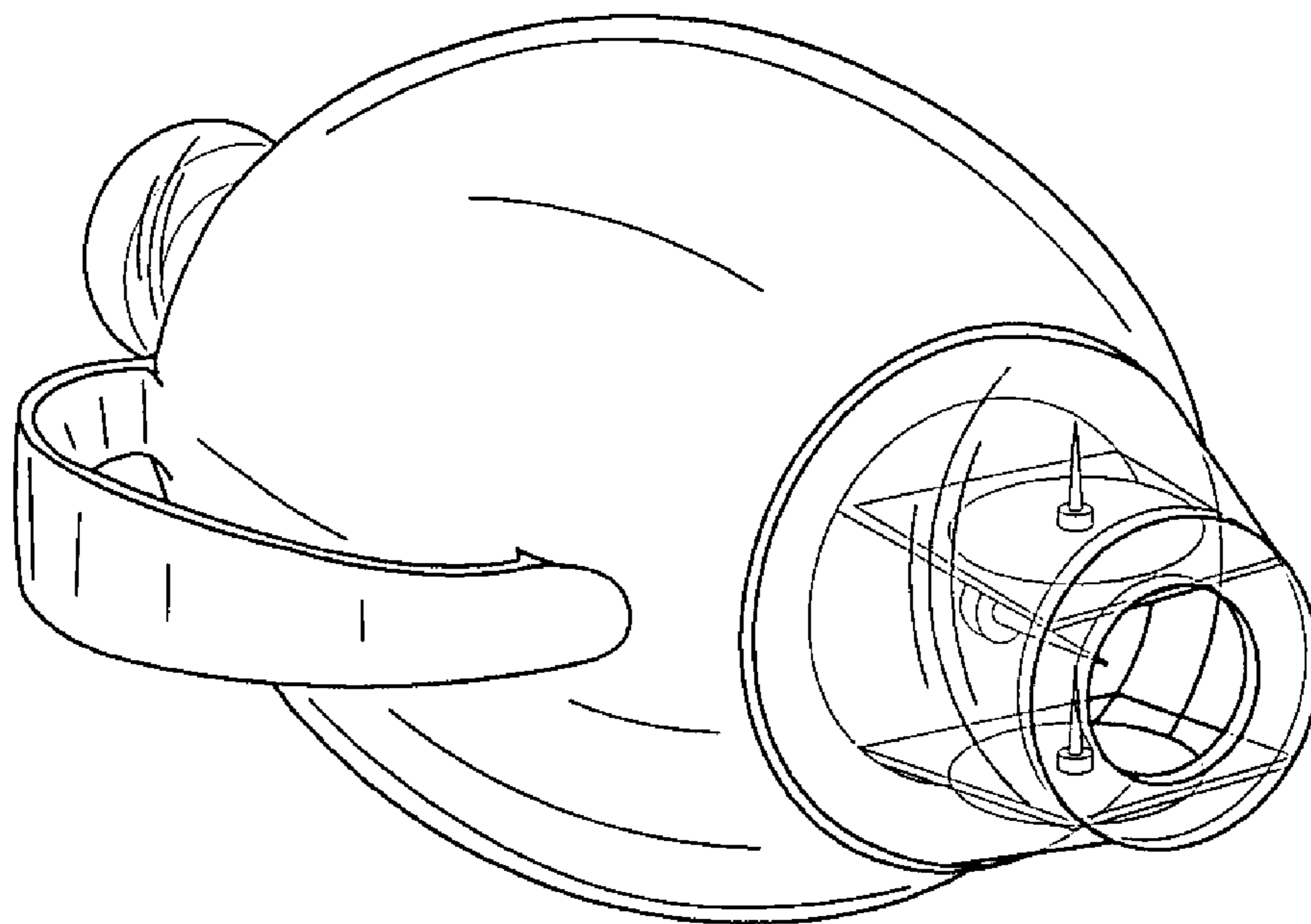


FIG. 7