

US00D557399S

(12) **United States Design Patent**
Furukawa et al.

(10) **Patent No.:** **US D557,399 S**
(45) **Date of Patent:** **** Dec. 11, 2007**

(54) **DAMPER ADJUSTMENT DEVICE**

(75) Inventors: **Hideo Furukawa**, Matsuyama (JP);
Tomohisa Takeda, Imabari (JP);
Yoshitaka Yagi, Matsuyama (JP)

(73) Assignee: **Miura Co., Ltd.**, Ehime (JP)

(**) Term: **14 Years**

(21) Appl. No.: **29/237,037**

(22) Filed: **Aug. 26, 2005**

(30) **Foreign Application Priority Data**

Feb. 28, 2005 (JP) 2005-005576

(51) **LOC (8) Cl.** **23-02**

(52) **U.S. Cl.** **D23/386**

(58) **Field of Classification Search** D23/386,
D23/387, 392, 365, 363, 358, 354, 341, 269,
D23/371; 55/502, 506, 508, 501; 126/285 B,
126/285.5, 286, 287, 295, 537, 343.5 A;
192/142 R; 236/1 G; 110/163, 341; 225/129.15;
122/44.2; 84/216; 285/148.23
See application file for complete search history.

(56) **References Cited**

U.S. PATENT DOCUMENTS

3,580,238 A	5/1971	Diehl	
4,039,123 A	8/1977	Frankel	
4,205,783 A	6/1980	Dietsche et al.	
4,262,652 A	4/1981	Butzen	
4,421,096 A	12/1983	Butzen	
4,570,611 A *	2/1986	Schroeder	126/537
D285,480 S *	9/1986	Schulz	D23/392
D329,090 S *	9/1992	Vogelzang	D23/392
5,167,192 A	12/1992	Pingel et al.	
5,695,116 A *	12/1997	Karabin	236/1 G

D448,839 S *	10/2001	Mishin et al.	D23/371
6,481,361 B1 *	11/2002	Schindler et al.	110/341
6,546,897 B1 *	4/2003	Edds et al.	122/44.2
6,632,988 B1 *	10/2003	Jones et al.	84/216
6,681,761 B2 *	1/2004	Dillingham	126/343.5 A
6,749,124 B2 *	6/2004	Weiss	236/1 G
D506,003 S *	6/2005	Murphy et al.	D23/392
D521,146 S *	5/2006	Rodriguez et al.	D23/392
7,055,866 B2 *	6/2006	Tempas	285/148.23

* cited by examiner

Primary Examiner—Louis Zarfes

Assistant Examiner—David G. Muller

(74) *Attorney, Agent, or Firm*—Birch, Stewart, Kolasch & Birch, LLP

(57) **CLAIM**

The ornamental design for a damper adjustment device as shown and described.

DESCRIPTION

FIG. 1 is a front view of a damper adjustment device showing our new design;

FIG. 2 is a rear view thereof;

FIG. 3 is a left side view thereof;

FIG. 4 is a right side view thereof;

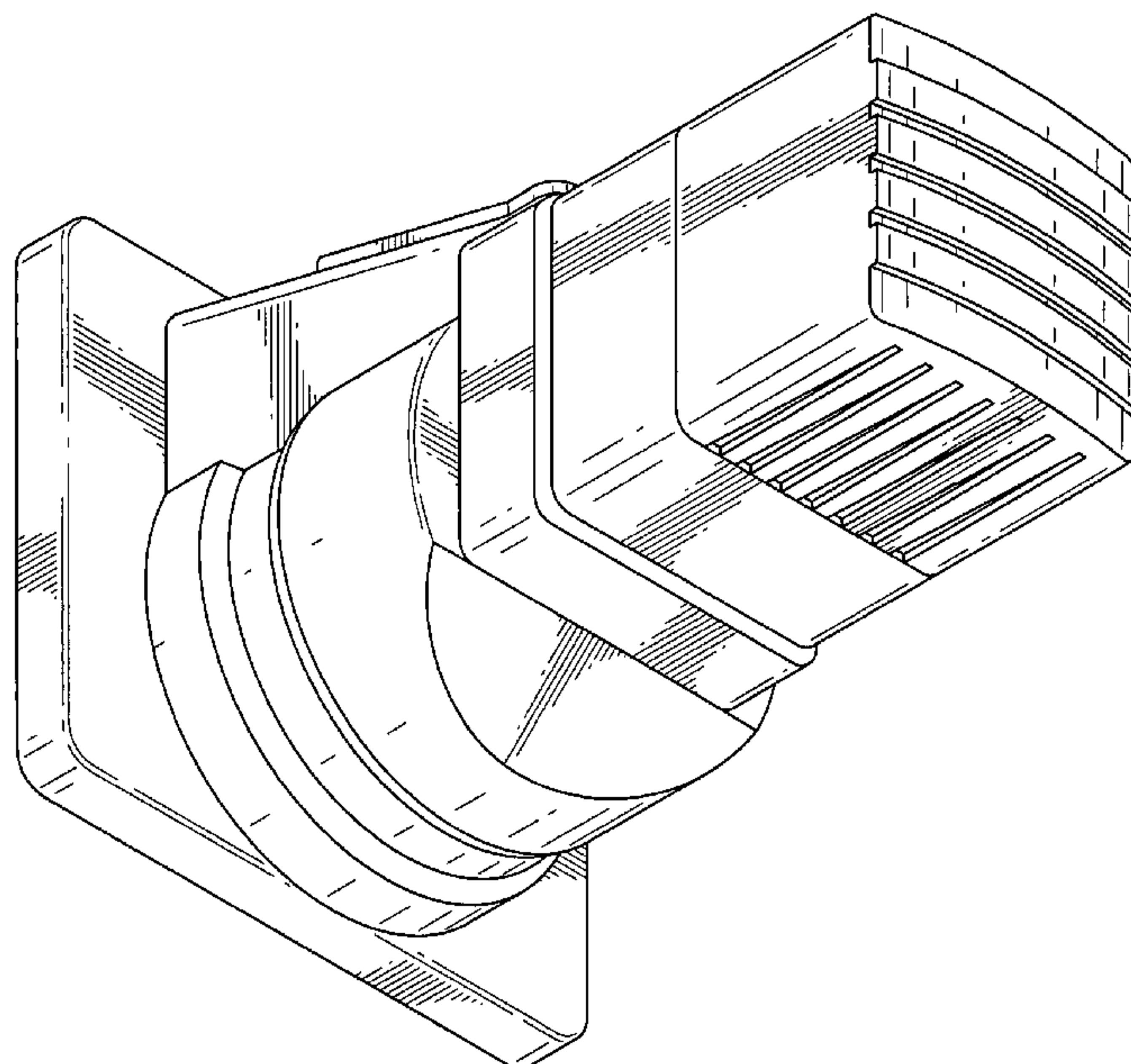
FIG. 5 is a plan view thereof;

FIG. 6 is a perspective view taken from the front, plan and right side thereof; and,

FIG. 7 is a perspective view taken from the rear, bottom and left side thereof.

The broken line showing of parts of the drawings is included for the purpose of illustrating use and environment and forms no part of the claimed design.

1 Claim, 7 Drawing Sheets



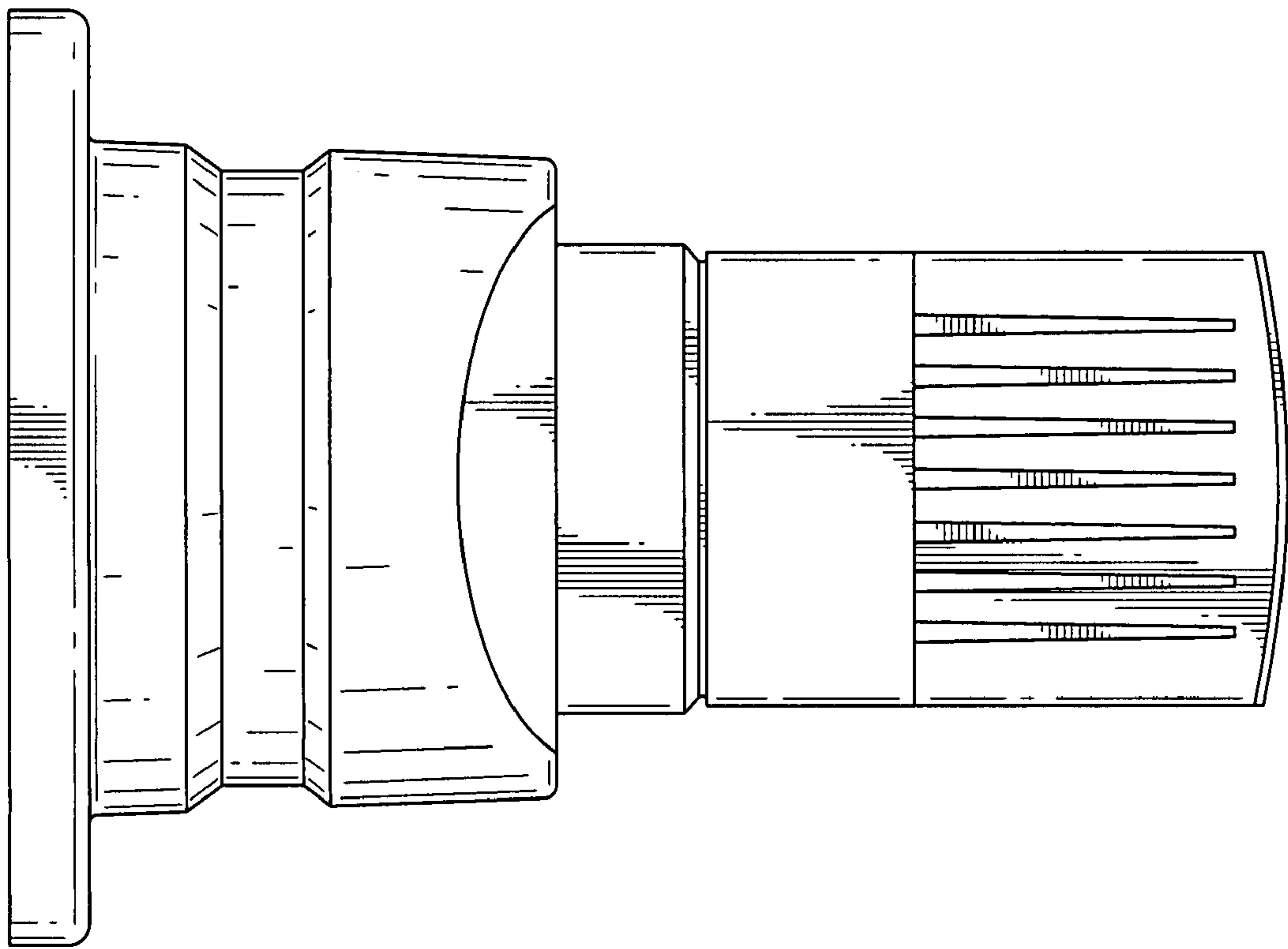


FIG.1

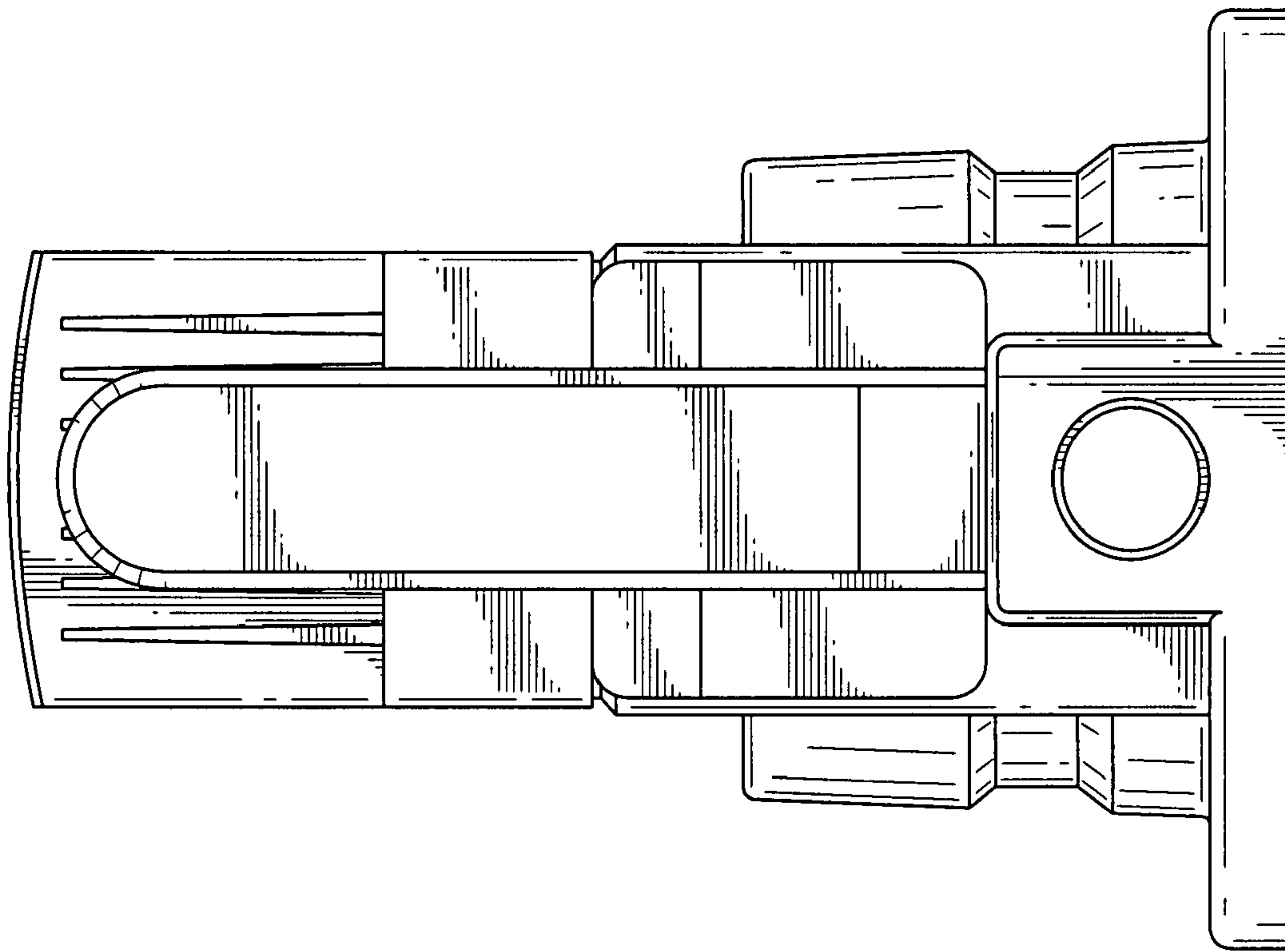


FIG.2

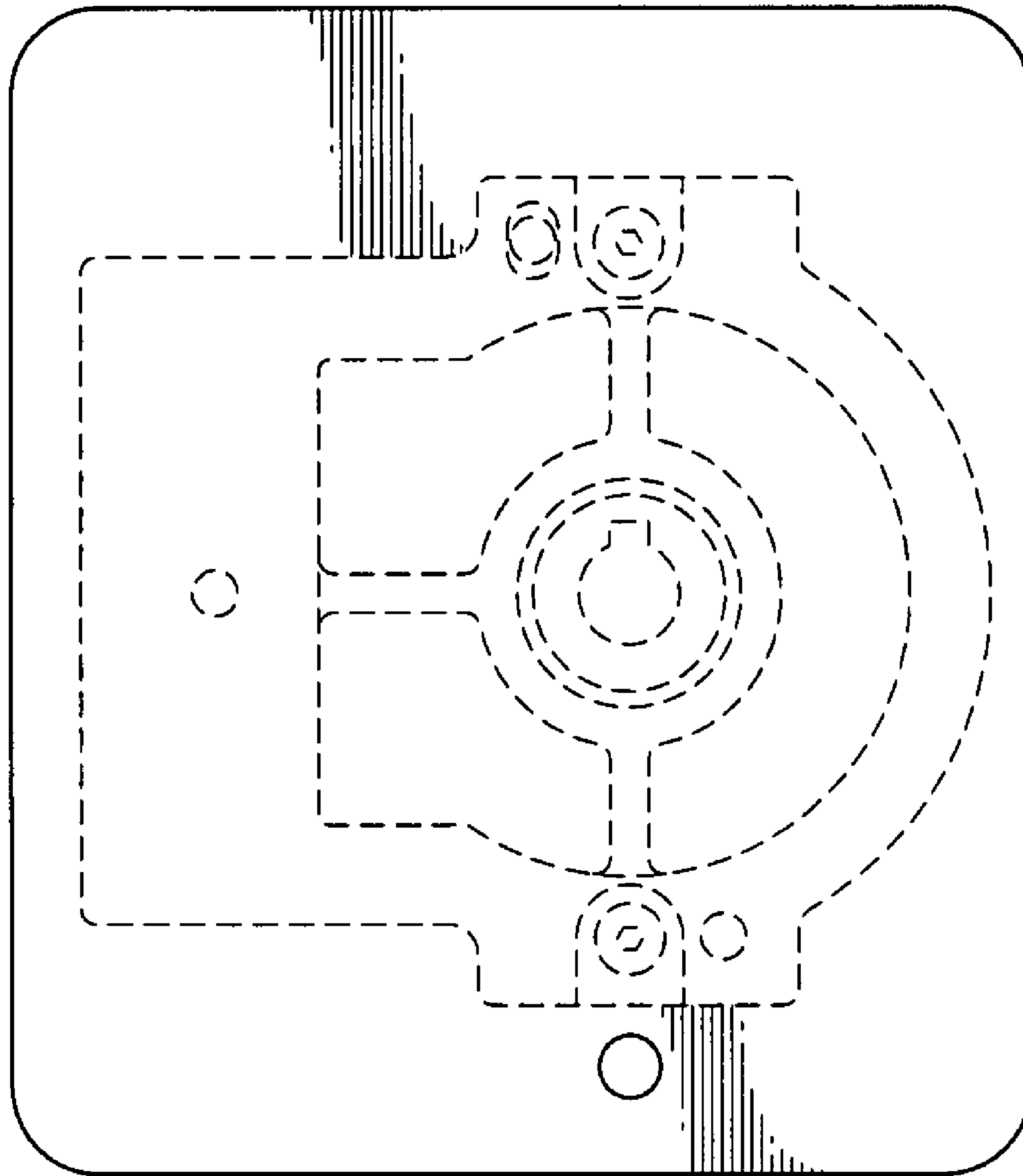


FIG.3

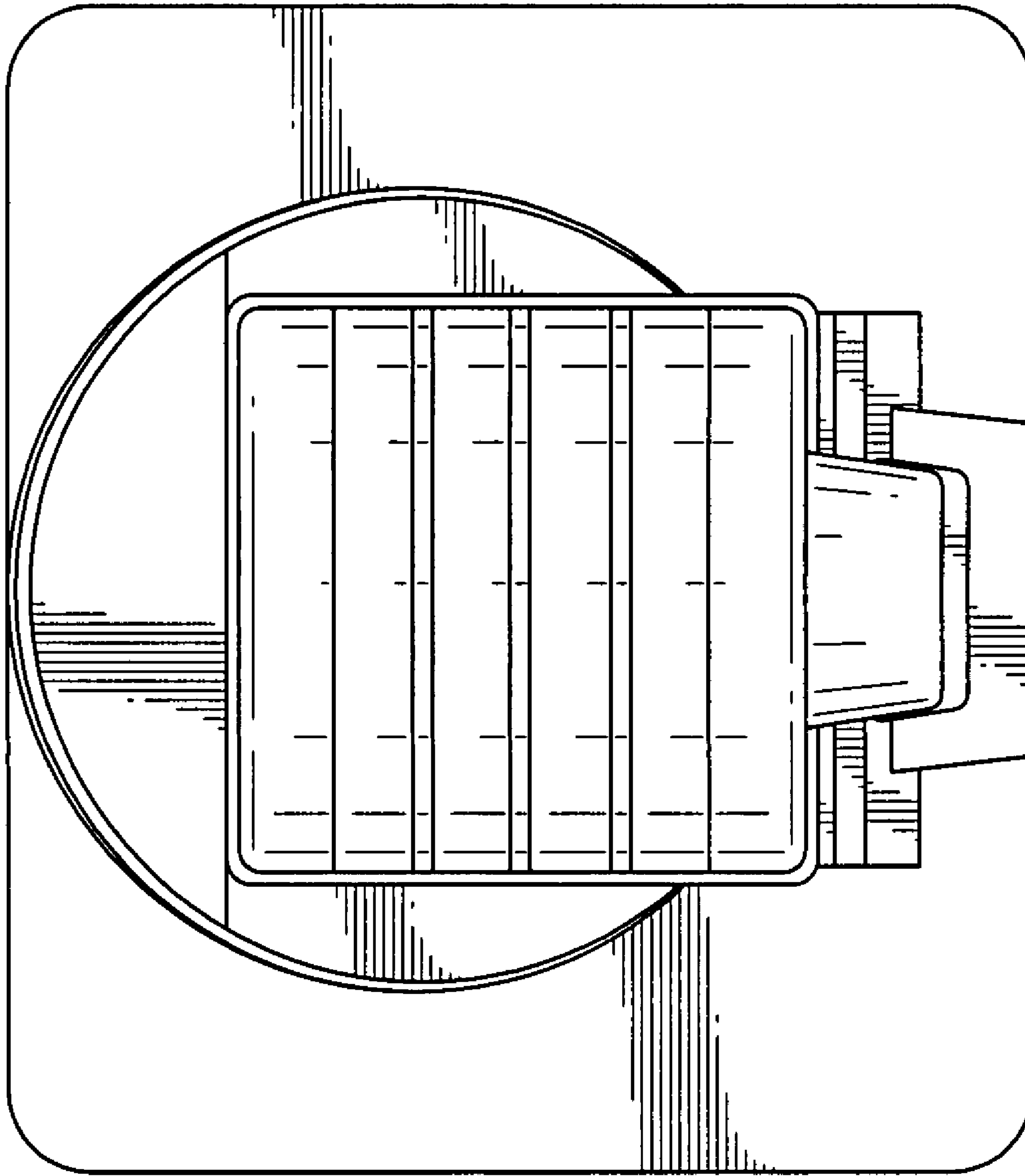


FIG.4

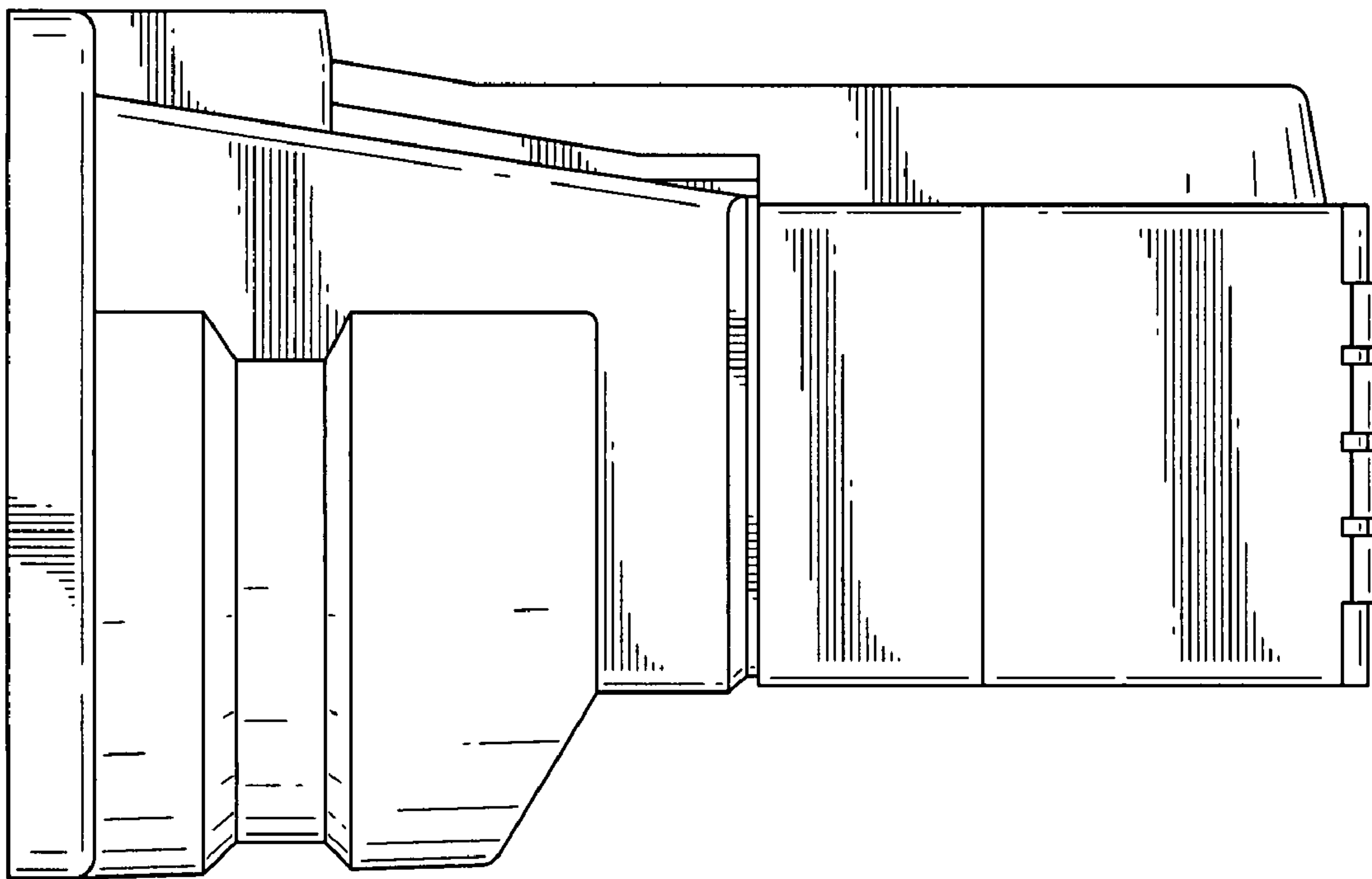


FIG. 5

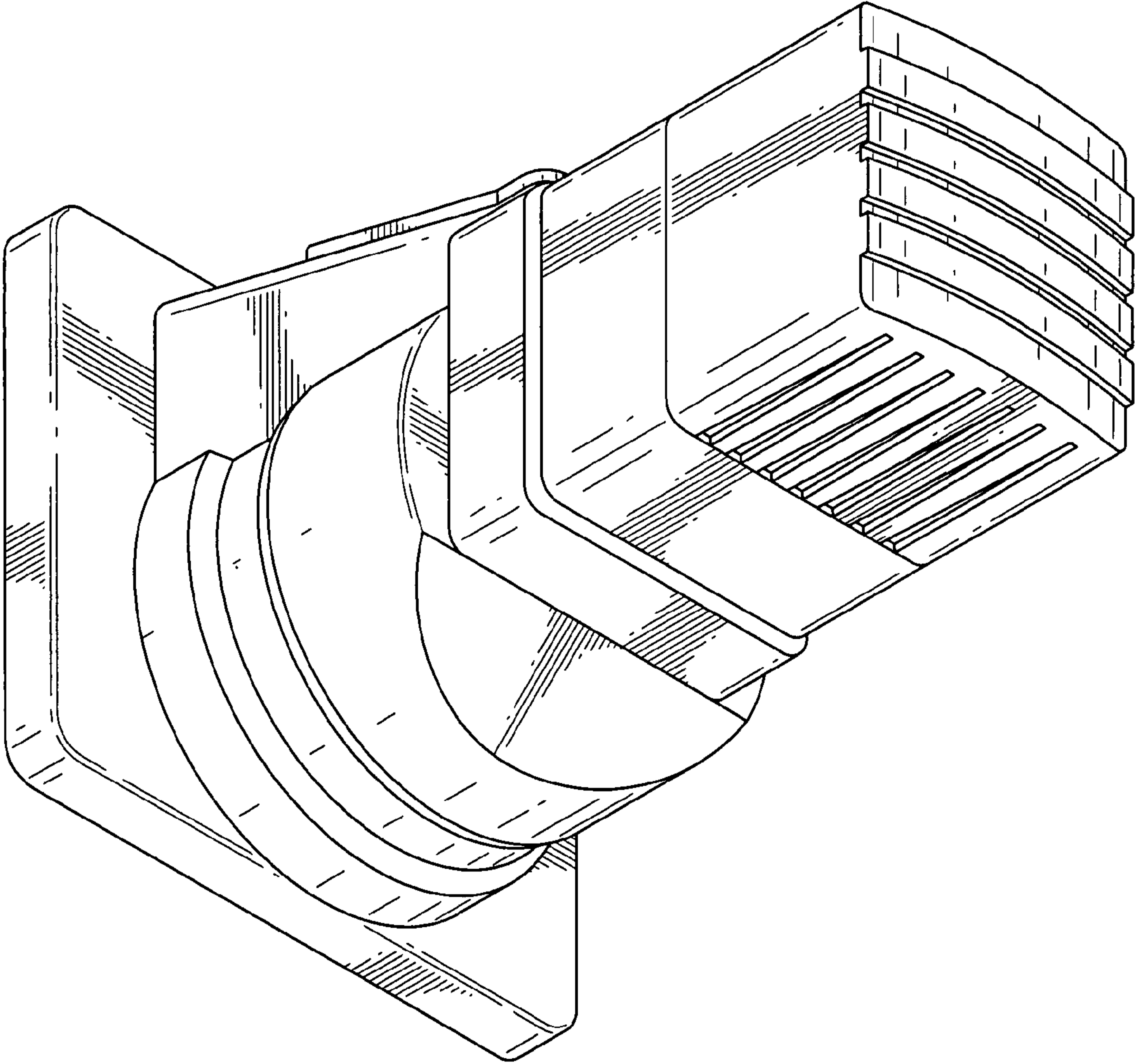


FIG.6

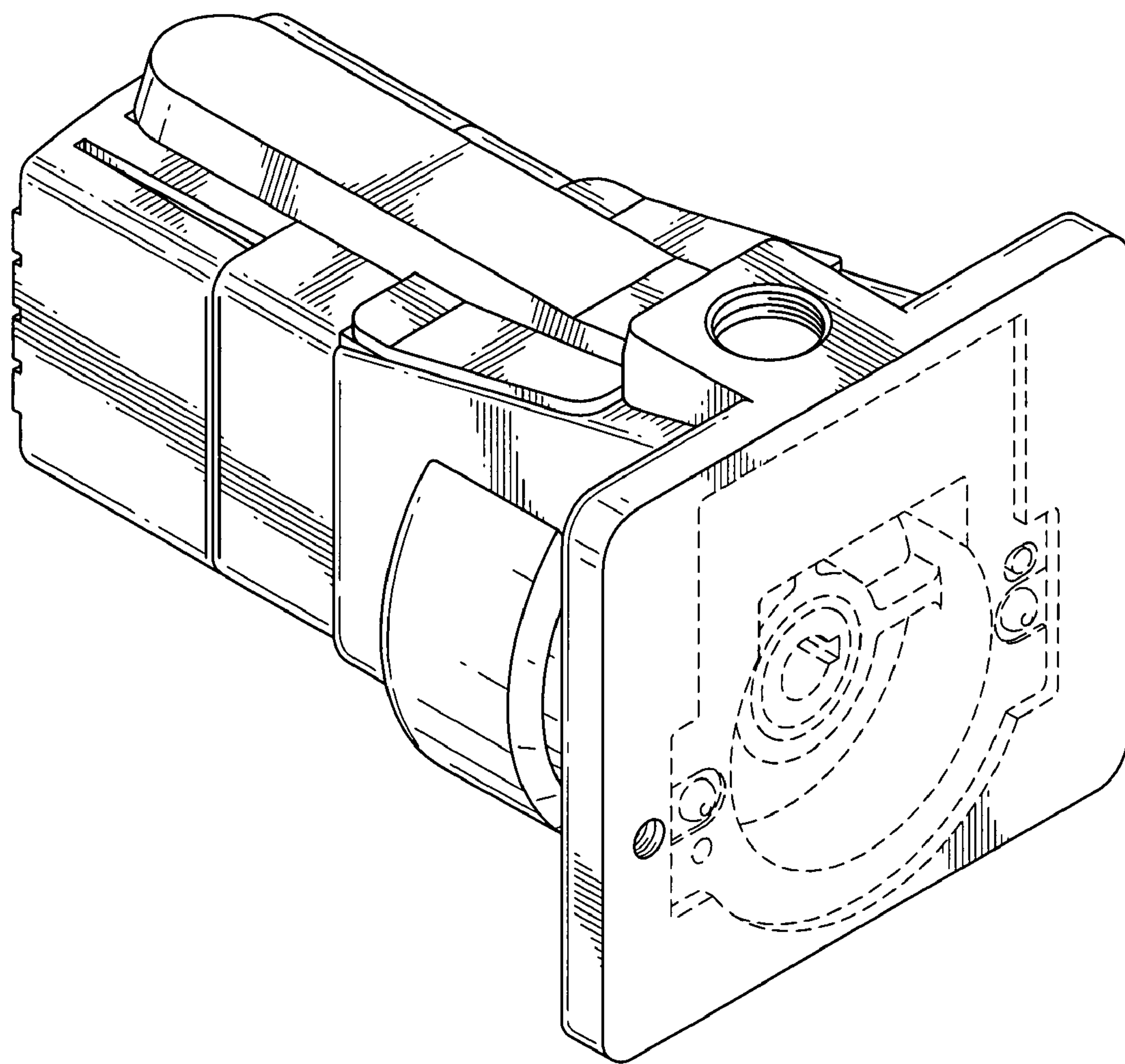


FIG. 7