



US00D557396S

(12) **United States Design Patent**
Cheng

(10) **Patent No.:** **US D557,396 S**

(45) **Date of Patent:** **** Dec. 11, 2007**

(54) **AIR CLEANER FOR CAR**

(76) Inventor: **Hsu-Cheng Cheng**, No. 16, Lane 8,
Cheng-Tien Rd., Tucheng City, Taipei
(TW)

(**) Term: **14 Years**

(21) Appl. No.: **29/258,602**

(22) Filed: **Apr. 25, 2006**

(30) **Foreign Application Priority Data**

Oct. 26, 2005 (TW) 94306487

(51) **LOC (8) Cl.** **23-04**

(52) **U.S. Cl.** **D23/364**

(58) **Field of Classification Search** D23/364,
D23/359, 355, 356, 360, 362, 386, 352, 366,
D23/369, 332, 333, 335, 336, 342, 337; 392/341,
392/342, 386, 390, 392-394, 401-406; D14/188,
D14/170, 172, 248; 422/120, 122; 439/668;
239/34, 60, 211, 55-59; 261/DIG. 88, DIG. 89,
261/DIG. 65, DIG. 17; D13/144, 107, 108,
D13/110

See application file for complete search history.

(56) **References Cited**

U.S. PATENT DOCUMENTS

D369,811 S * 5/1996 Chen D14/248
D392,250 S * 3/1998 Yiin D13/107
D400,176 S * 10/1998 Jones D13/144
D403,663 S * 1/1999 Jones et al. D13/144

D436,080 S * 1/2001 Hussaini et al. D13/144
D442,683 S * 5/2001 Wu D23/366
D455,712 S * 4/2002 Hsiao D13/108
D482,768 S * 11/2003 Chen D23/366
6,767,256 B1 * 7/2004 Faerber et al. 439/668
D507,527 S * 7/2005 Huang D13/110
6,923,686 B1 * 8/2005 Cheng 439/668
D526,962 S * 8/2006 Krieger et al. D13/144
D530,280 S * 10/2006 Krieger et al. D13/144

* cited by examiner

Primary Examiner—Ian Simmons

Assistant Examiner—David G. Muller

(74) *Attorney, Agent, or Firm*—Troxell Law Office, PLLC

(57) **CLAIM**

The ornamental design for air cleaner for car, as shown and described.

DESCRIPTION

FIG. 1 is a perspective view of air cleaner for car from right side showing my design;

FIG. 2 is a front side view thereof;

FIG. 3 is a rear side view thereof;

FIG. 4 is a right side view thereof;

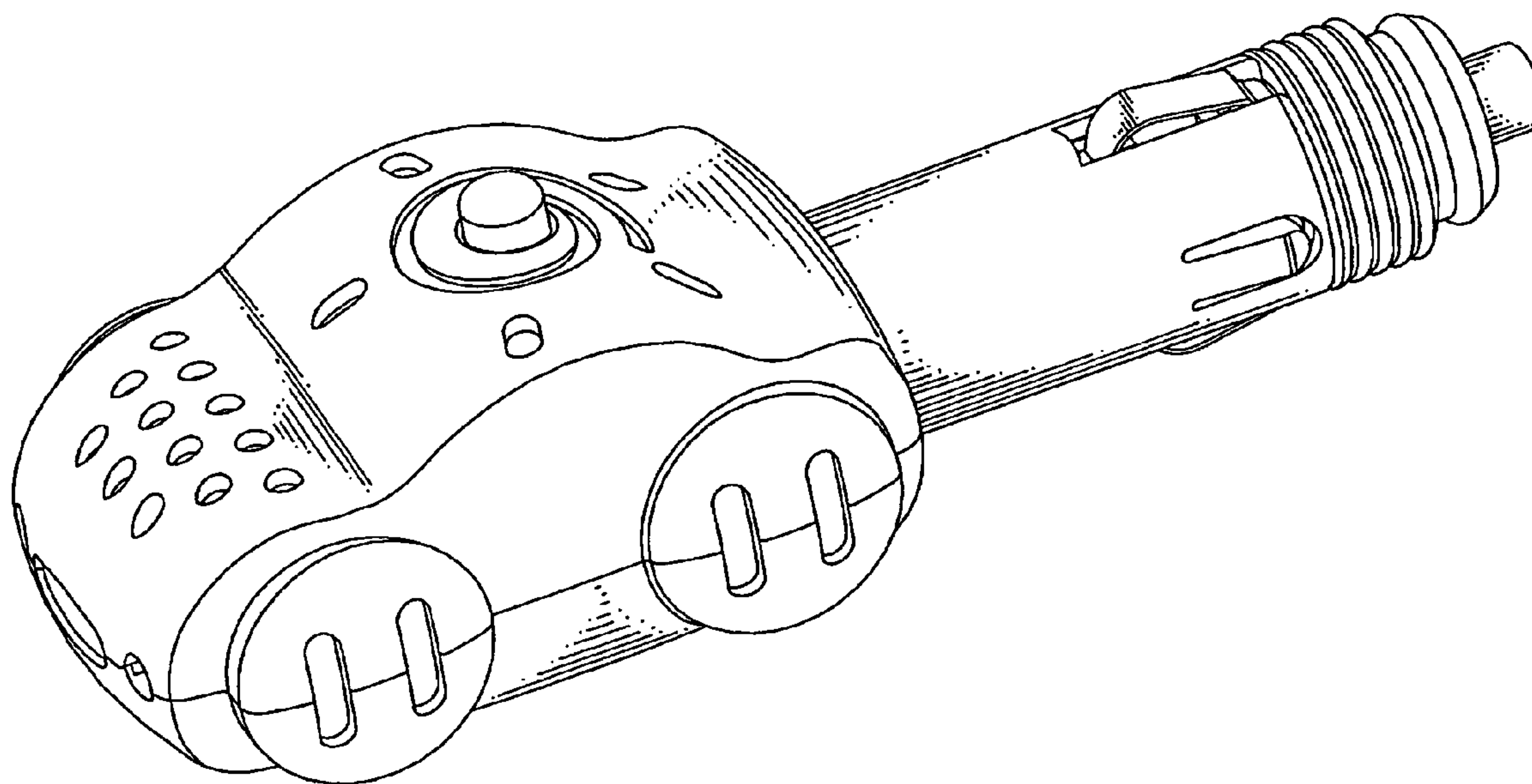
FIG. 5 is a top elevation view thereof;

FIG. 6 is a left side view thereof;

FIG. 7 is a bottom elevation side view thereof; and,

FIG. 8 is a perspective view after angle-adjusted thereof.

1 Claim, 7 Drawing Sheets



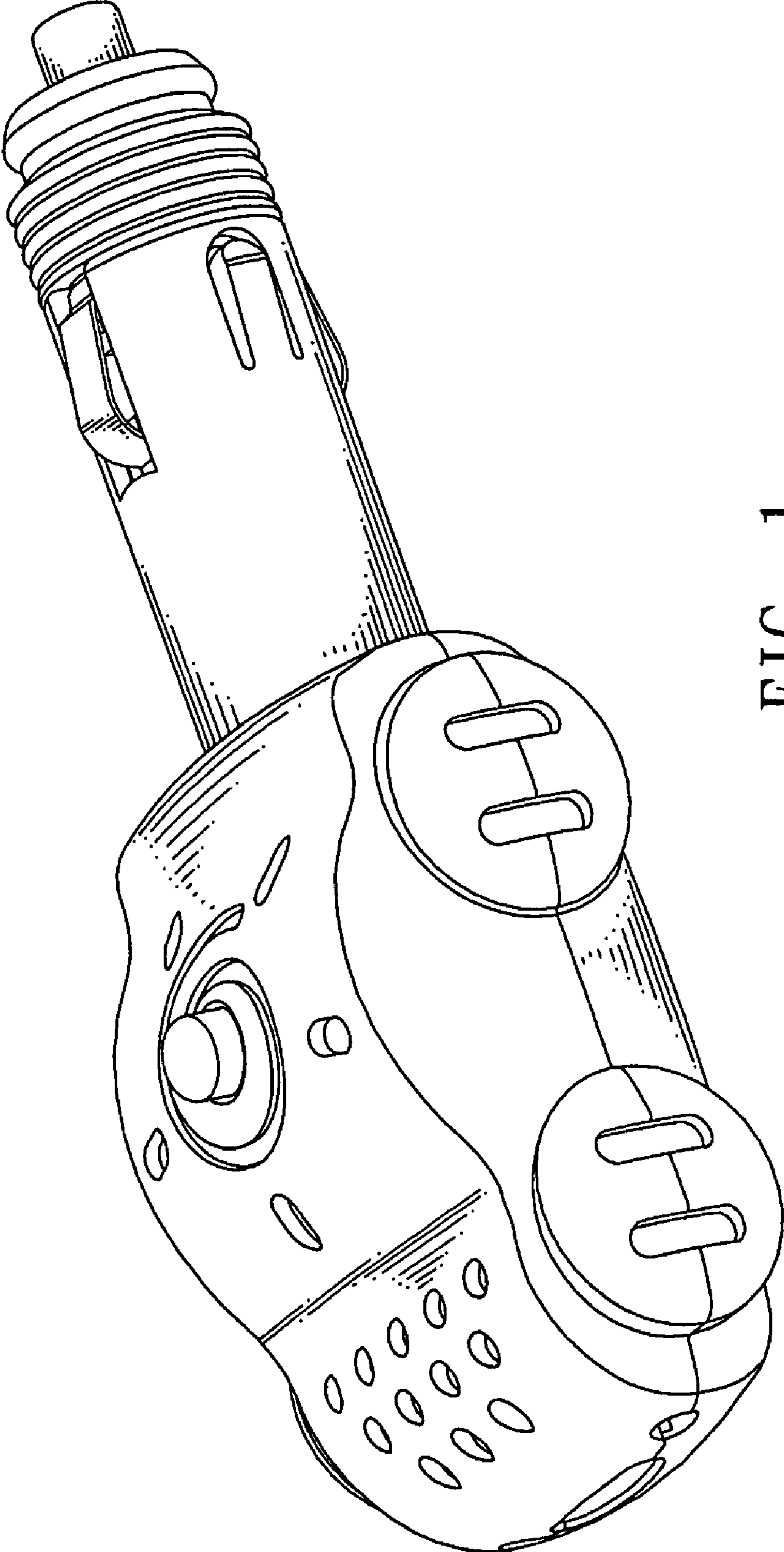


FIG. 1

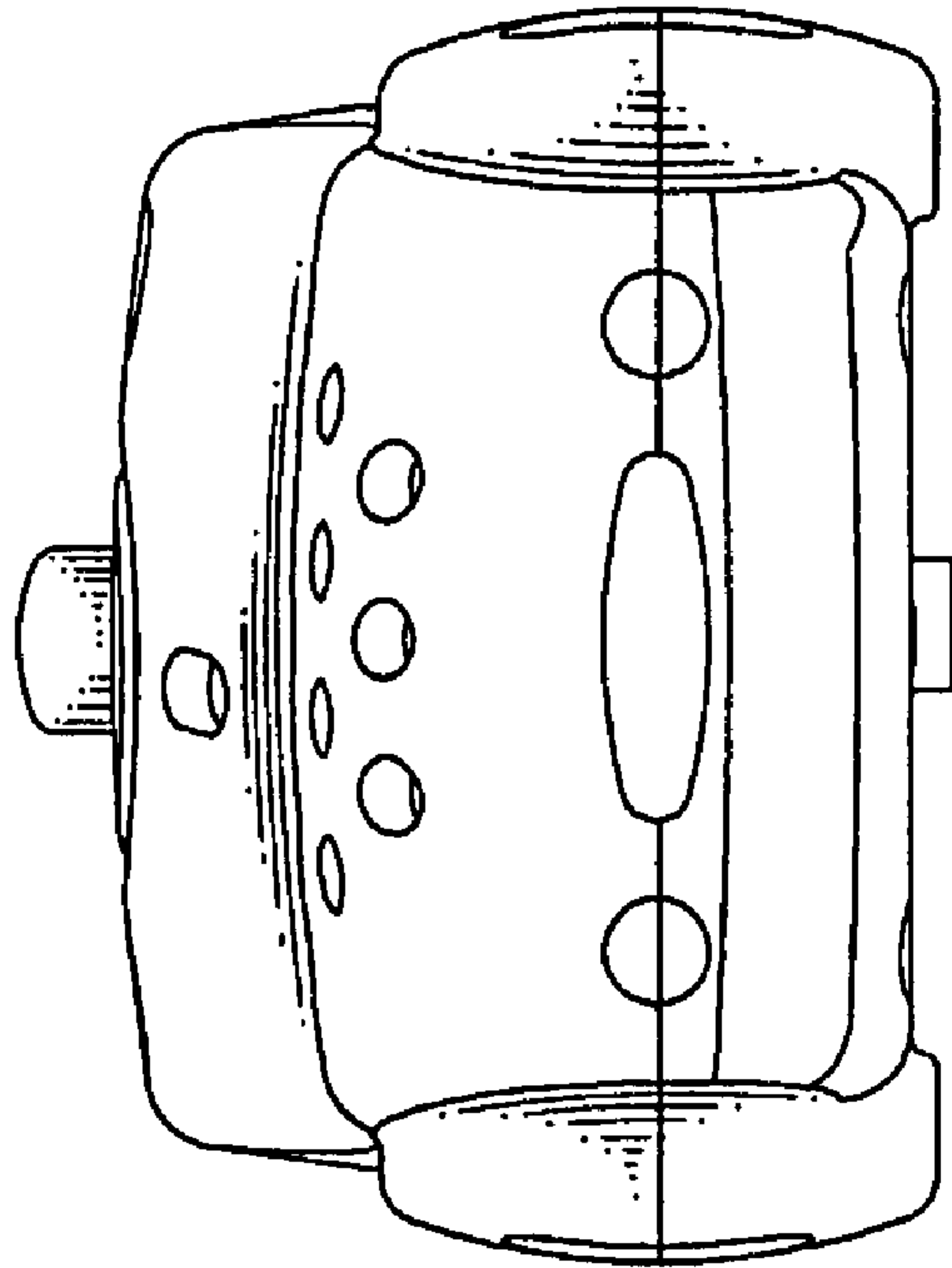


FIG. 2

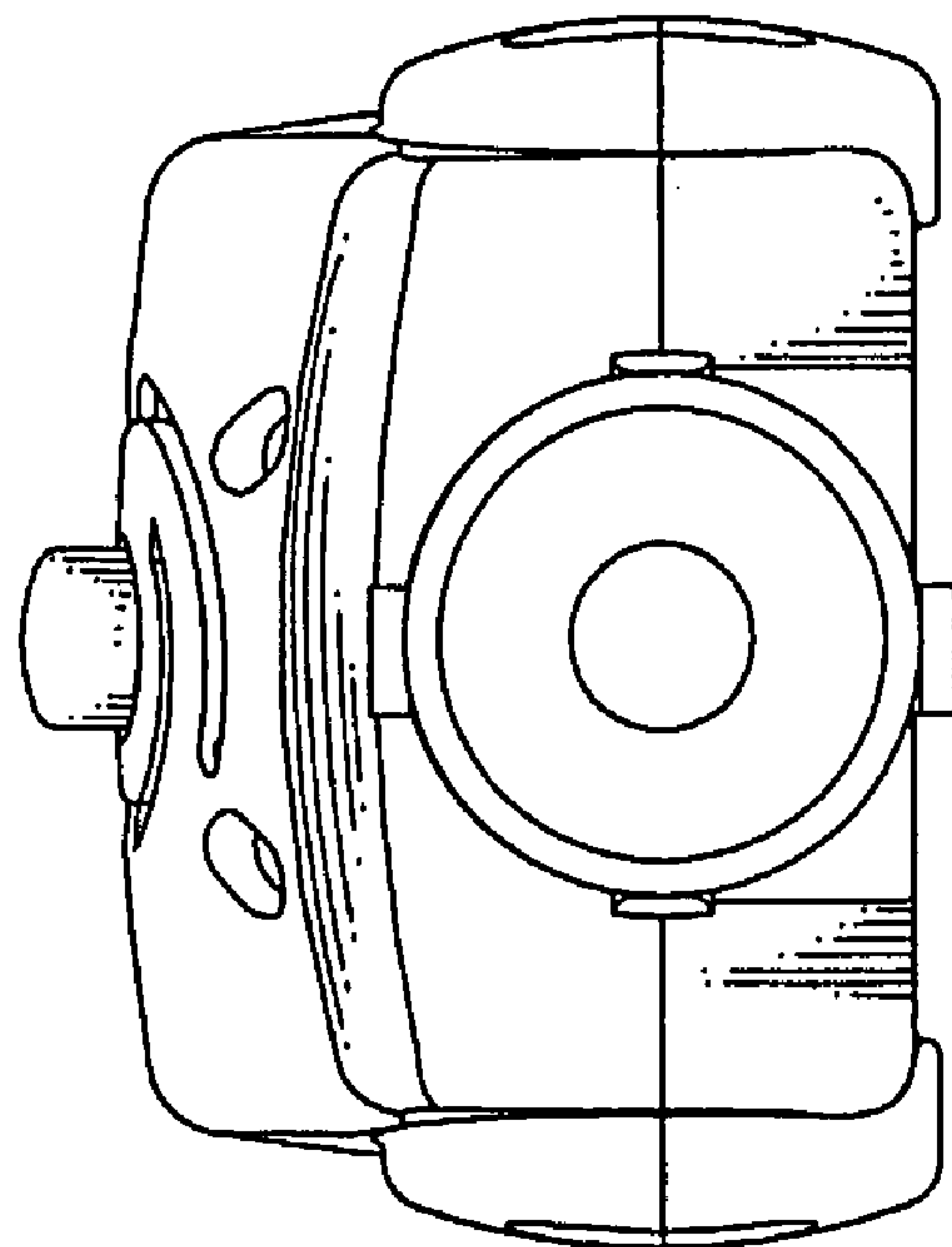


FIG. 3

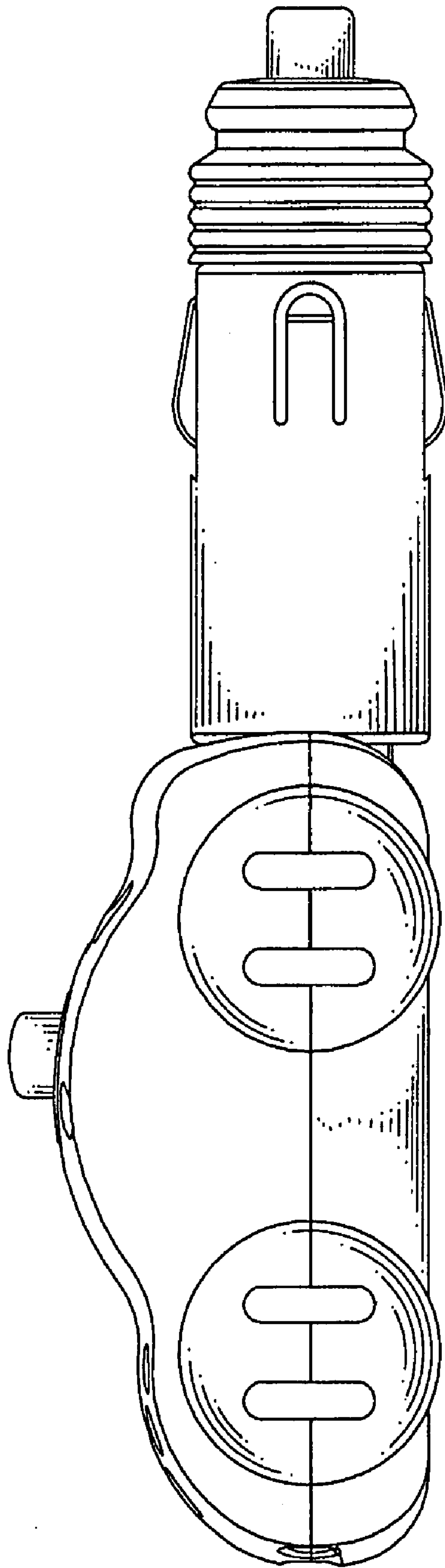


FIG. 4

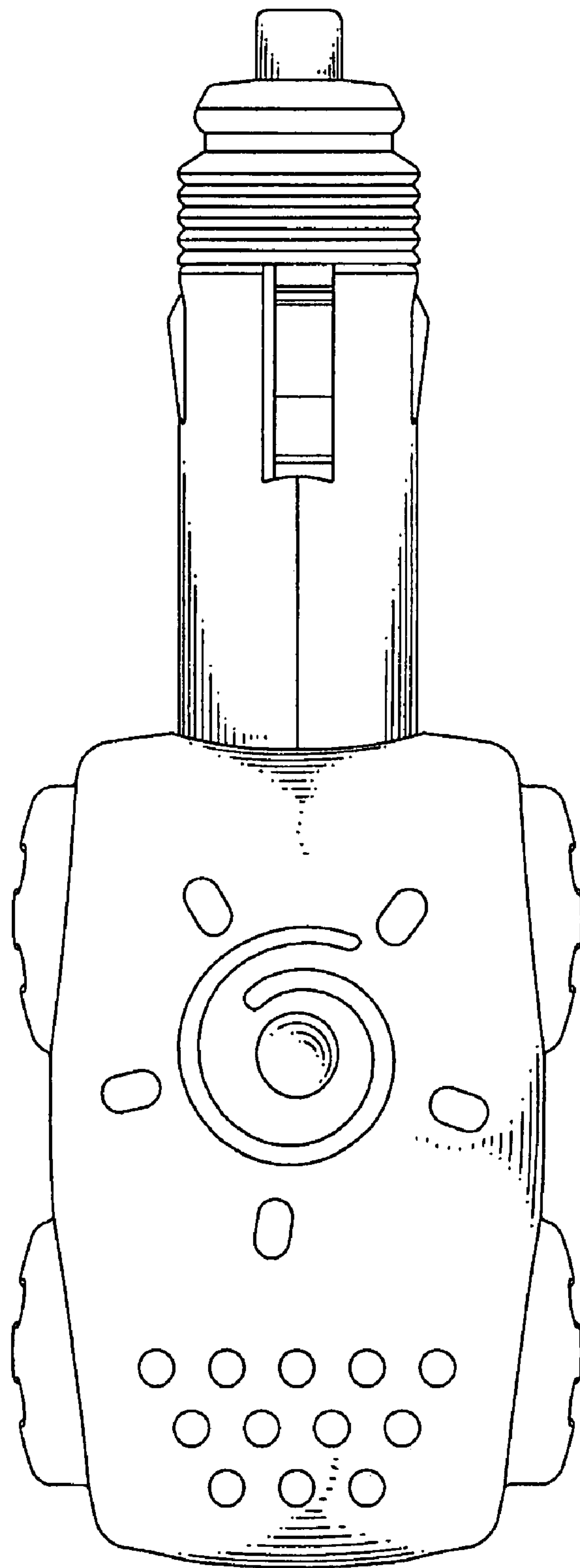


FIG. 5

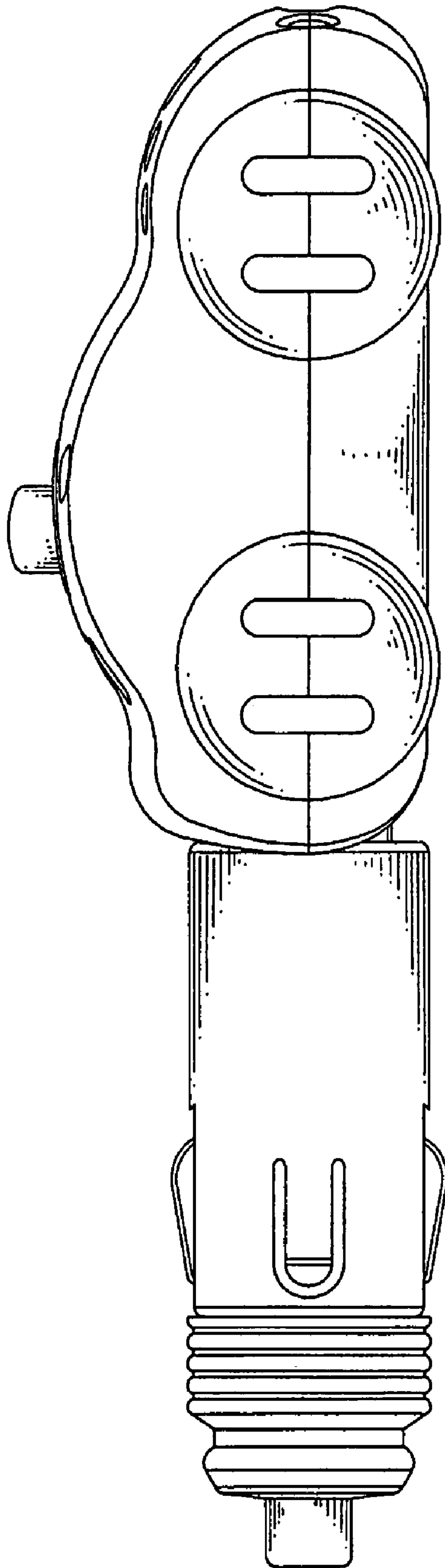


FIG. 6

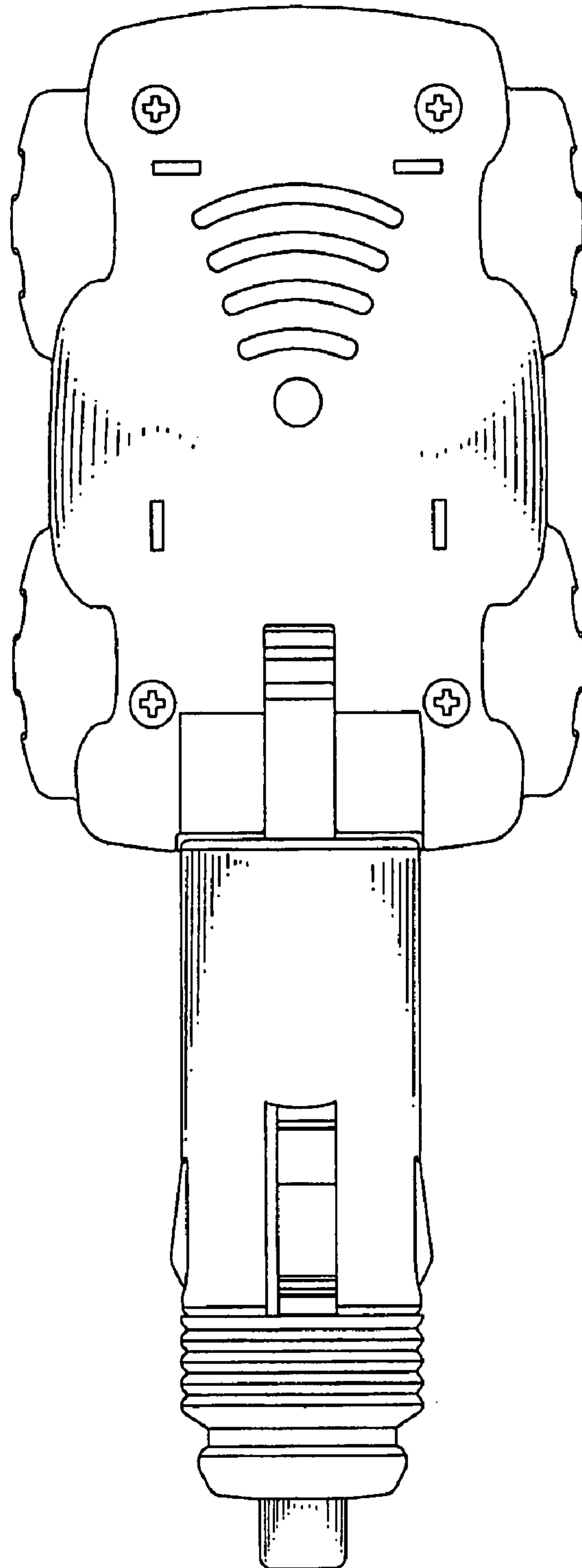


FIG. 7

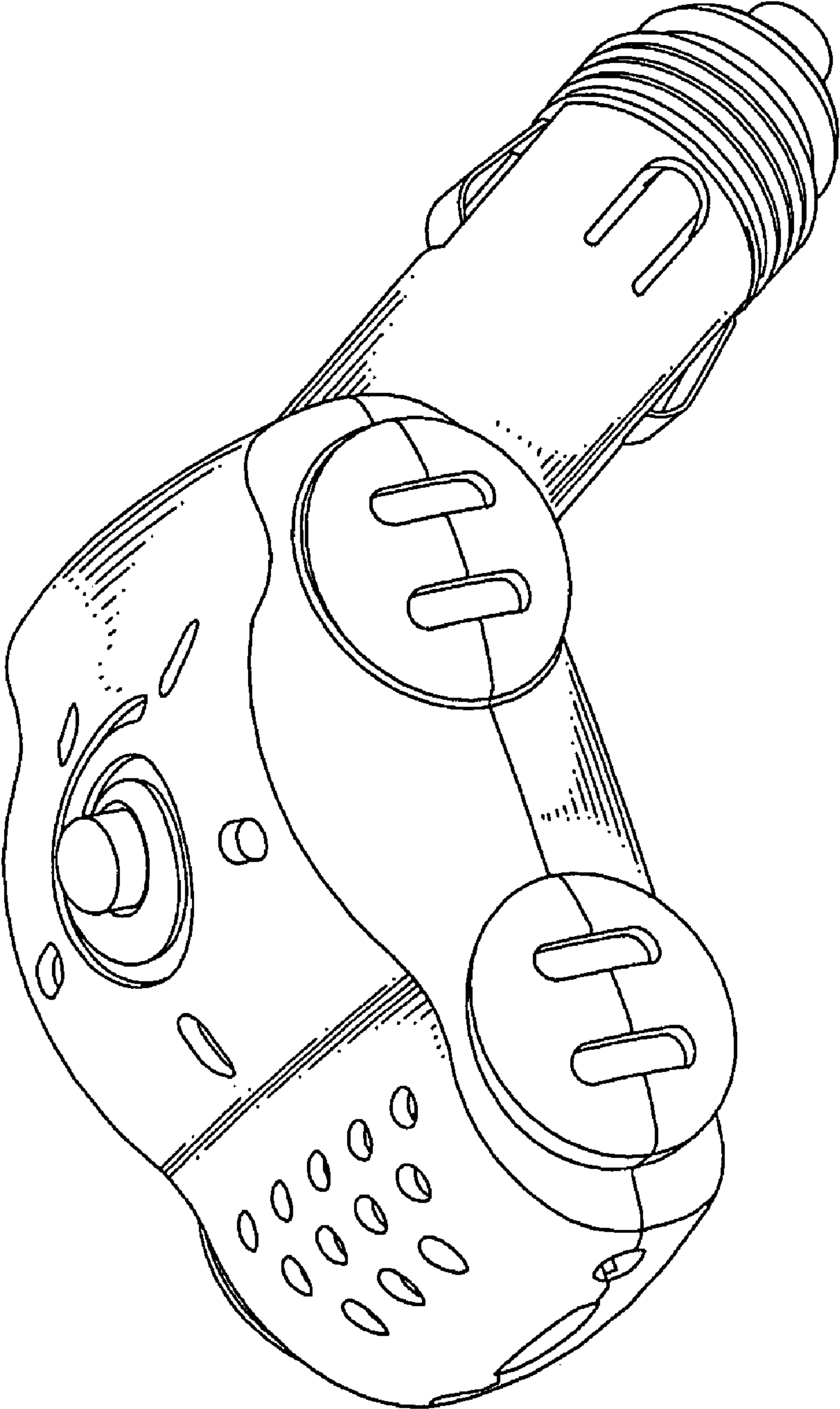


FIG. 8