



US00D557395S

(12) **United States Design Patent**
Martin, Sr. et al.

(10) **Patent No.: US D557,395 S**

(45) **Date of Patent: ** Dec. 11, 2007**

(54) **BASE FOR AIR TREATMENT SYSTEM HOUSING**

(76) Inventors: **Lendell Martin, Sr.**, P.O. Box 40696, Houston, TX (US) 77240; **Robert Wayne Magee**, P.O. Box 40696, Houston, TX (US) 77240; **Andres Alberto Canales**, P.O. Box 40696, Houston, TX (US) 77240

(**) Term: **14 Years**

(21) Appl. No.: **29/252,101**

(22) Filed: **Jan. 18, 2006**

(51) **LOC (8) Cl.** **23-04**

(52) **U.S. Cl.** **D23/355**

(58) **Field of Classification Search** D23/363, D23/351, 354, 386, 364, 355, 356, 359, 360, D23/362, 352, 366, 369, 332, 333, 335, 336, D23/342; 62/506, 507, 324.1, 298, 291, 62/259.1, DIG. 16; 165/122; 184/106, 1.5; 248/678, 346.01, 346.5; 422/120, 122; 55/356, 55/473, 504, 502; 210/497.1; 96/97
See application file for complete search history.

(56) **References Cited**

U.S. PATENT DOCUMENTS

3,372,870 A	3/1968	Norris et al.	236/13
3,716,097 A	2/1973	Kelp et al.	165/39
3,722,845 A *	3/1973	Unger	D23/351
4,129,013 A	12/1978	Hine, Jr.	62/285
4,321,803 A	3/1982	Smith	62/507
4,474,232 A	10/1984	Wright et al.	165/137
4,665,806 A	5/1987	Martin, Sr.	98/40.12
4,698,982 A	10/1987	Laios et al.	62/286
4,748,827 A *	6/1988	Chang	62/298
5,062,280 A	11/1991	Martin, Sr.	62/291
5,097,678 A	3/1992	Aubuchon	62/506
5,121,613 A	6/1992	Cox et al.	62/419
5,143,178 A	9/1992	Latham, Jr.	184/106
5,203,400 A *	4/1993	Tsunekawa et al.	165/122
5,207,074 A	5/1993	Cox et al.	62/285
5,284,027 A	2/1994	Martin, Sr.	62/291

D357,309 S	4/1995	Norris	D23/352
5,501,269 A	3/1996	Jenkins	165/110
5,613,554 A	3/1997	Bull et al.	165/150
5,664,431 A	9/1997	Martin, Sr.	62/286
5,699,854 A *	12/1997	Hong	165/122
5,791,156 A *	8/1998	Strautman et al.	62/291
5,961,093 A	10/1999	Jones et al.	248/678
5,987,909 A	11/1999	Martin, Sr.	62/291
6,050,539 A *	4/2000	Millen	248/678
6,138,993 A	10/2000	Mitchell, Jr. et al.	256/25
D434,480 S *	11/2000	Caronna et al.	D23/351
6,276,443 B1	8/2001	Martin, Sr.	165/126
6,378,320 B1	4/2002	Matambo	62/259.2
6,519,966 B1	2/2003	Martin, Sr.	62/324.1
D534,260 S *	12/2006	David et al.	D23/351
D534,635 S *	1/2007	David et al.	D23/351
2002/0139518 A1 *	10/2002	Lee et al.	165/122
2005/0039479 A1 *	2/2005	Kim	62/298
2005/0204767 A1 *	9/2005	Norrell et al.	62/298
2007/0051864 A1 *	3/2007	Bartell et al.	248/346.01

* cited by examiner

Primary Examiner—Ian Simmons
Assistant Examiner—David G. Muller
(74) *Attorney, Agent, or Firm*—Guy McClung

(57) **CLAIM**

The ornamental design for a base for air treatment system housing, as shown and described.

DESCRIPTION

FIG. 1 is a perspective top view of a base according to the present invention.
FIG. 2 is a bottom view of the base of the FIG. 1.
FIG. 3 is a top view of the base of FIG. 1.
FIG. 4 is a side view of the base of FIG. 1.
FIG. 5 is a side view opposite the side of FIG. 4 of the base of FIG. 1.
FIG. 6 is an end view of the base of FIG. 1; and,
FIG. 7 is an end view of an end opposite the end of FIG. 6 of the base of FIG. 1.

1 Claim, 2 Drawing Sheets

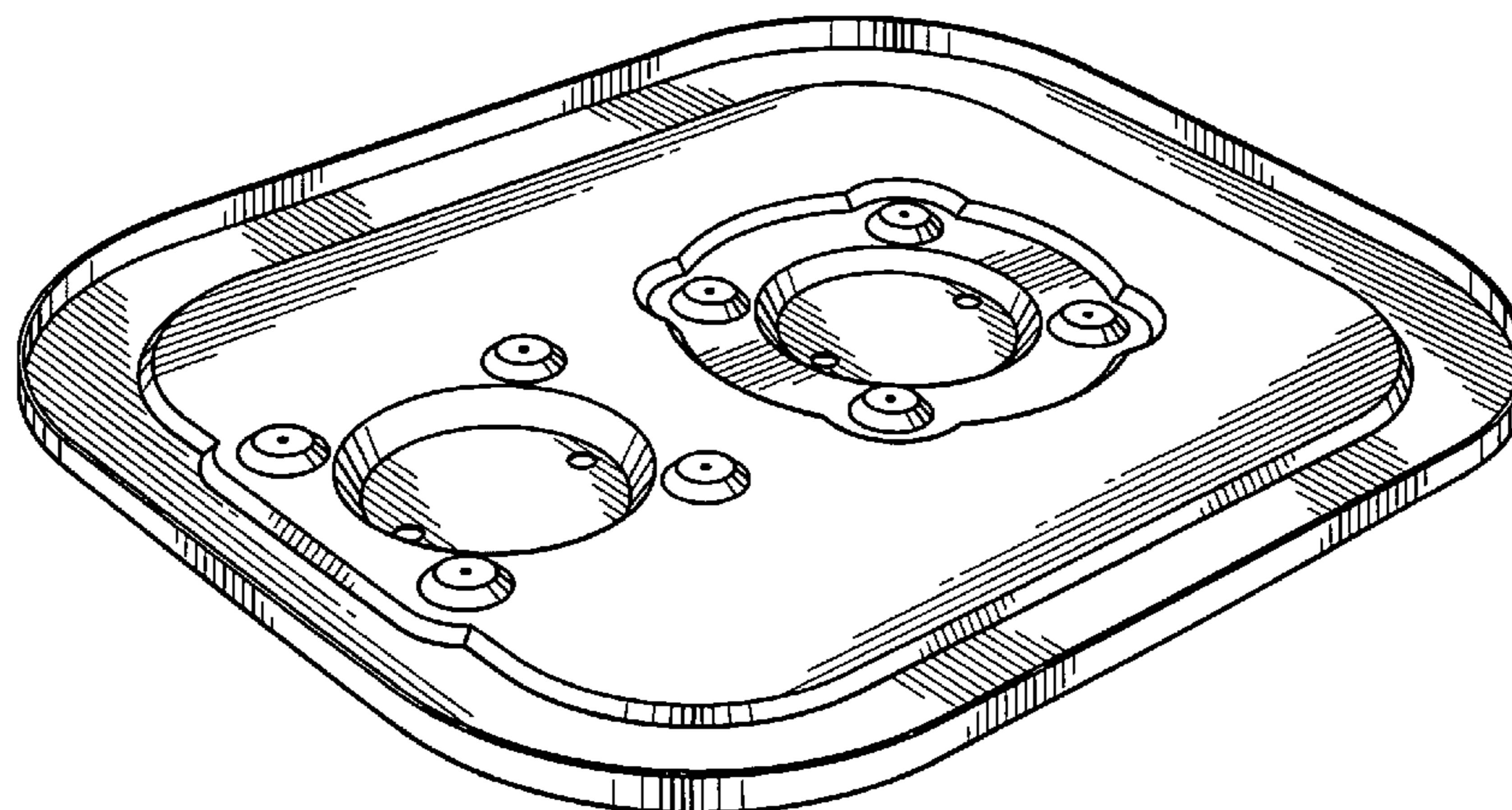


FIG. 1

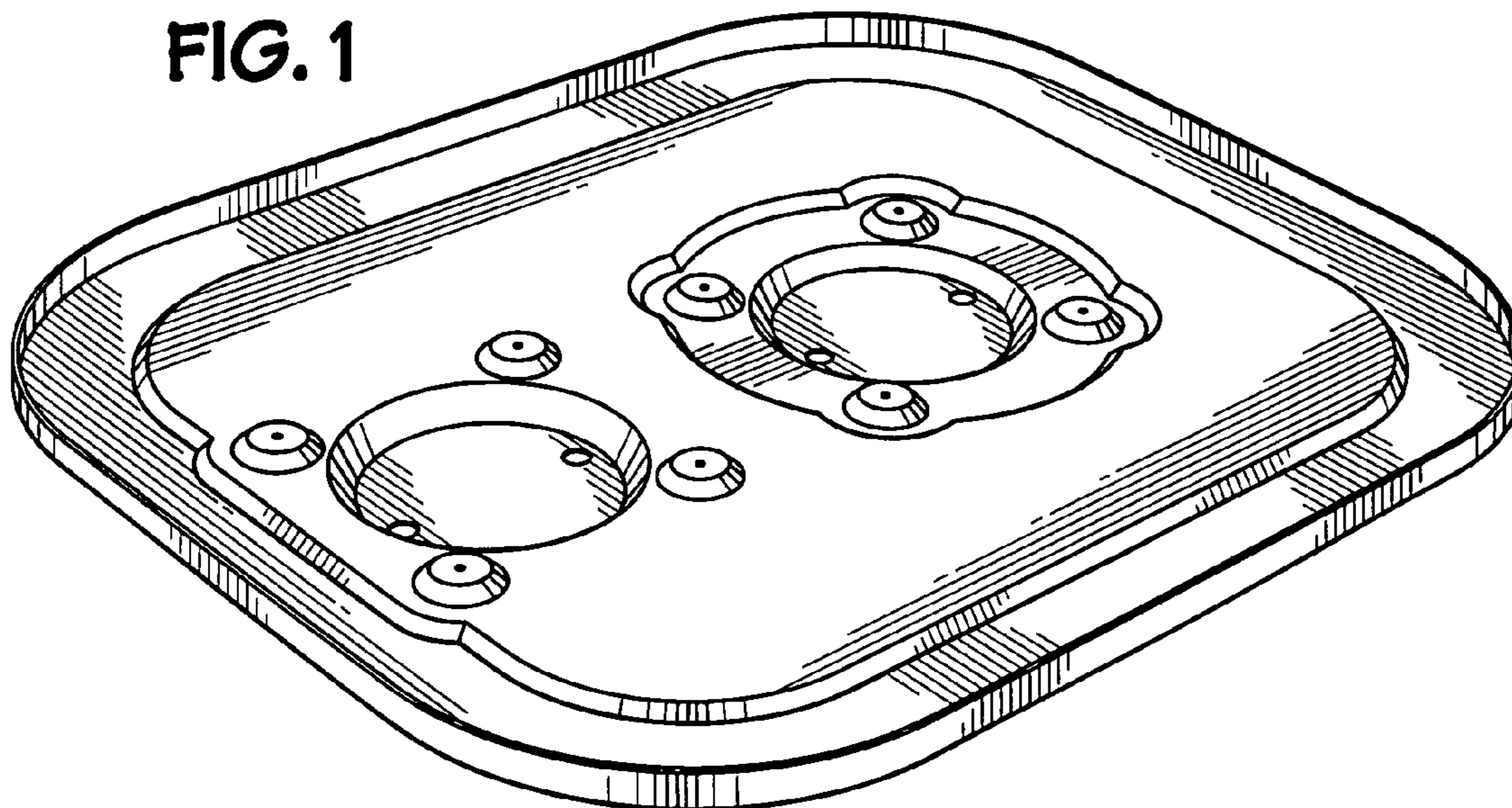


FIG. 2

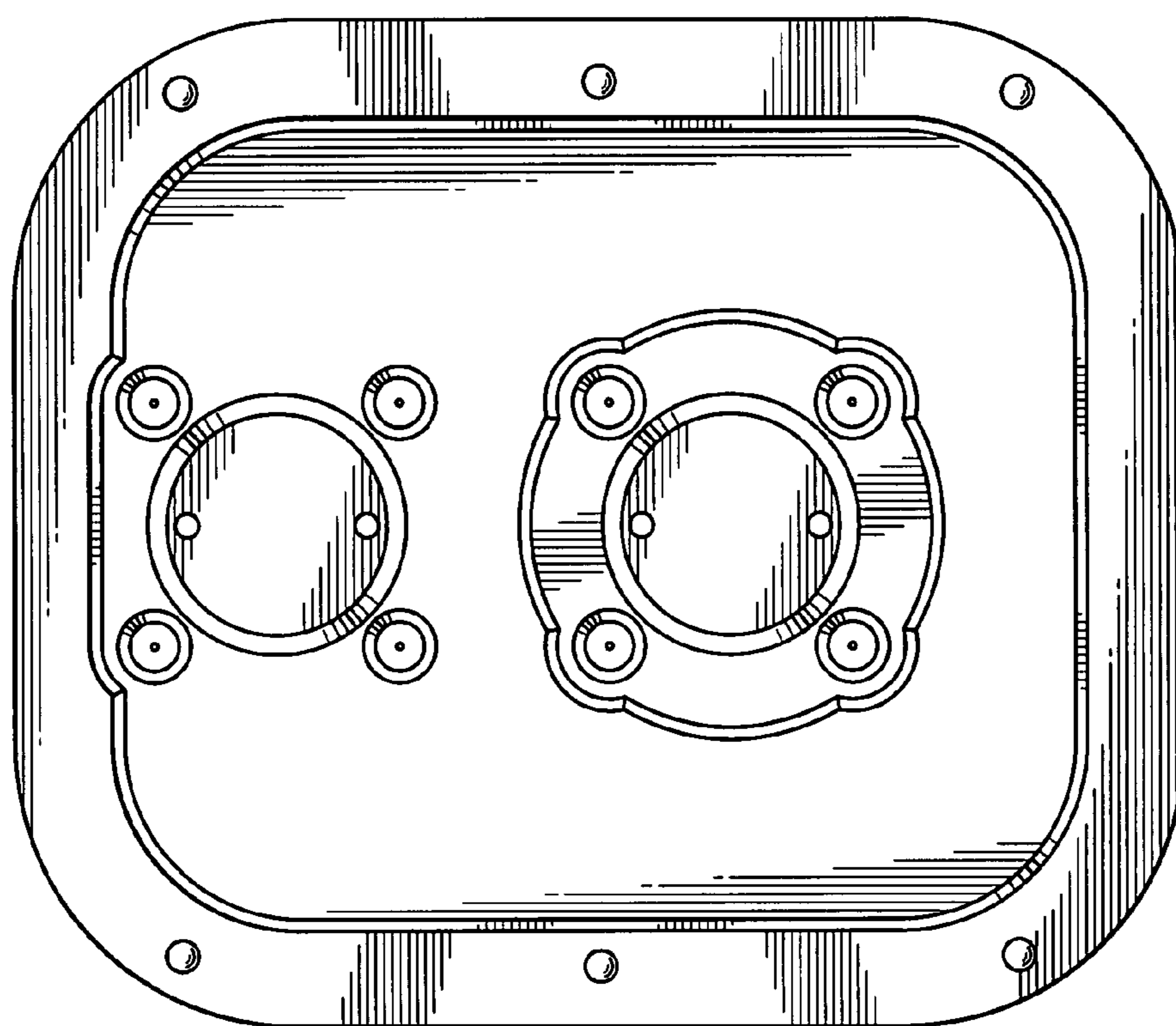


FIG. 3

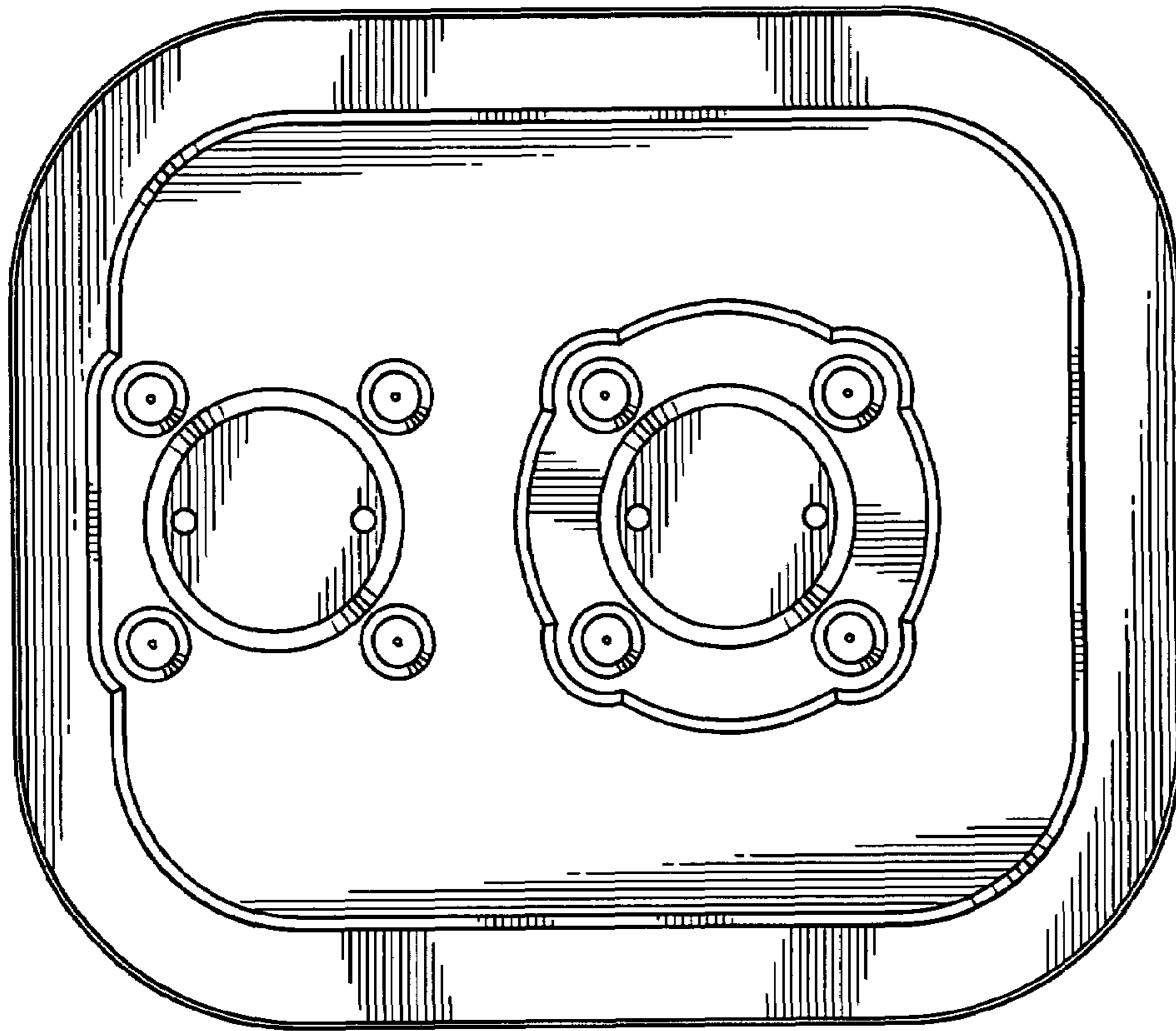


FIG. 4



FIG. 5



FIG. 6

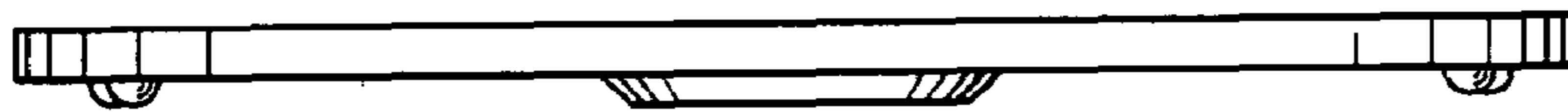


FIG. 7

