



US00D557394S

(12) **United States Design Patent**
Martin, Sr. et al.

(10) **Patent No.:** **US D557,394 S**
(45) **Date of Patent:** **** Dec. 11, 2007**

(54) **COVER FOR AIR TREATMENT SYSTEM HOUSING**

(76) Inventors: **Lendell Martin, Sr.**, P.O. Box 40696, Houston, TX (US) 77240; **Robert Wayne Magee**, P.O. Box 40696, Houston, TX (US) 77240; **Andres Alberto Canales**, P.O. Box 40696, Houston, TX (US) 77240

(**) Term: **14 Years**

(21) Appl. No.: **29/252,100**

(22) Filed: **Jan. 18, 2006**

(51) **LOC (8) Cl.** **23-04**

(52) **U.S. Cl.** **D23/355**

(58) **Field of Classification Search** D23/363, D23/351, 354, 386, 364, 355, 356, 359, 360, D23/362, 352, 366, 369, 332, 333, 335, 336, D23/342; 62/506, 507, 324.1, 298, 291, 62/259.1, DIG. 16; 165/122; 184/106, 1.5; 248/678, 346.01, 346.5; 422/120, 122; 55/356, 55/473, 504, 502; 210/497.1; 96/97
See application file for complete search history.

(56) **References Cited**

U.S. PATENT DOCUMENTS

3,372,870	A	3/1968	Norris et al.	236/13
3,716,097	A	2/1973	Kelp et al.	165/39
4,036,292	A *	7/1977	Hine, Jr.	165/122
D246,378	S *	11/1977	Mueller	D23/354
D248,770	S *	8/1978	Michaelsen	D23/386
4,129,013	A	12/1978	Hine, Jr.	62/285
4,321,803	A	3/1982	Smith	62/507
4,394,111	A *	7/1983	Wiese et al.	D23/351
4,474,232	A	10/1984	Wright et al.	165/137
4,475,585	A *	10/1984	Hoeffken	165/122
4,665,806	A	5/1987	Martin, Sr.	98/40.12
4,698,982	A	10/1987	Laios et al.	62/286

D295,313	S *	4/1988	Barnett	D23/386
4,748,827	A *	6/1988	Chang	62/298
4,858,683	A *	8/1989	Beehler	165/122
5,062,280	A	11/1991	Martin, Sr.	62/291
5,097,678	A	3/1992	Aubuchon	62/506
5,121,613	A	6/1992	Cox et al.	62/419
5,143,178	A	9/1992	Latham, Jr.	184/106
5,207,074	A	5/1993	Cox et al.	62/285
5,284,027	A	2/1994	Martin, Sr.	62/291
D353,665	S *	12/1994	Jennings	D23/363
D357,309	S	4/1995	Norris	D23/352
5,501,269	A	3/1996	Jenkins	165/110
D371,828	S *	7/1996	Priest	D23/364
5,613,554	A	3/1997	Bull et al.	165/150
5,664,431	A	9/1997	Martin, Sr.	62/286
5,699,854	A *	12/1997	Hong	165/122

(Continued)

Primary Examiner—Ian Simmons
Assistant Examiner—David G Muller
(74) *Attorney, Agent, or Firm*—Guy McClung

(57) **CLAIM**

The ornamental design for a cover for air treatment system housing, as shown and described.

DESCRIPTION

FIG. 1 is a perspective top view of a cover according to the present invention.

FIG. 2 is a top view of the cover of the FIG. 1.

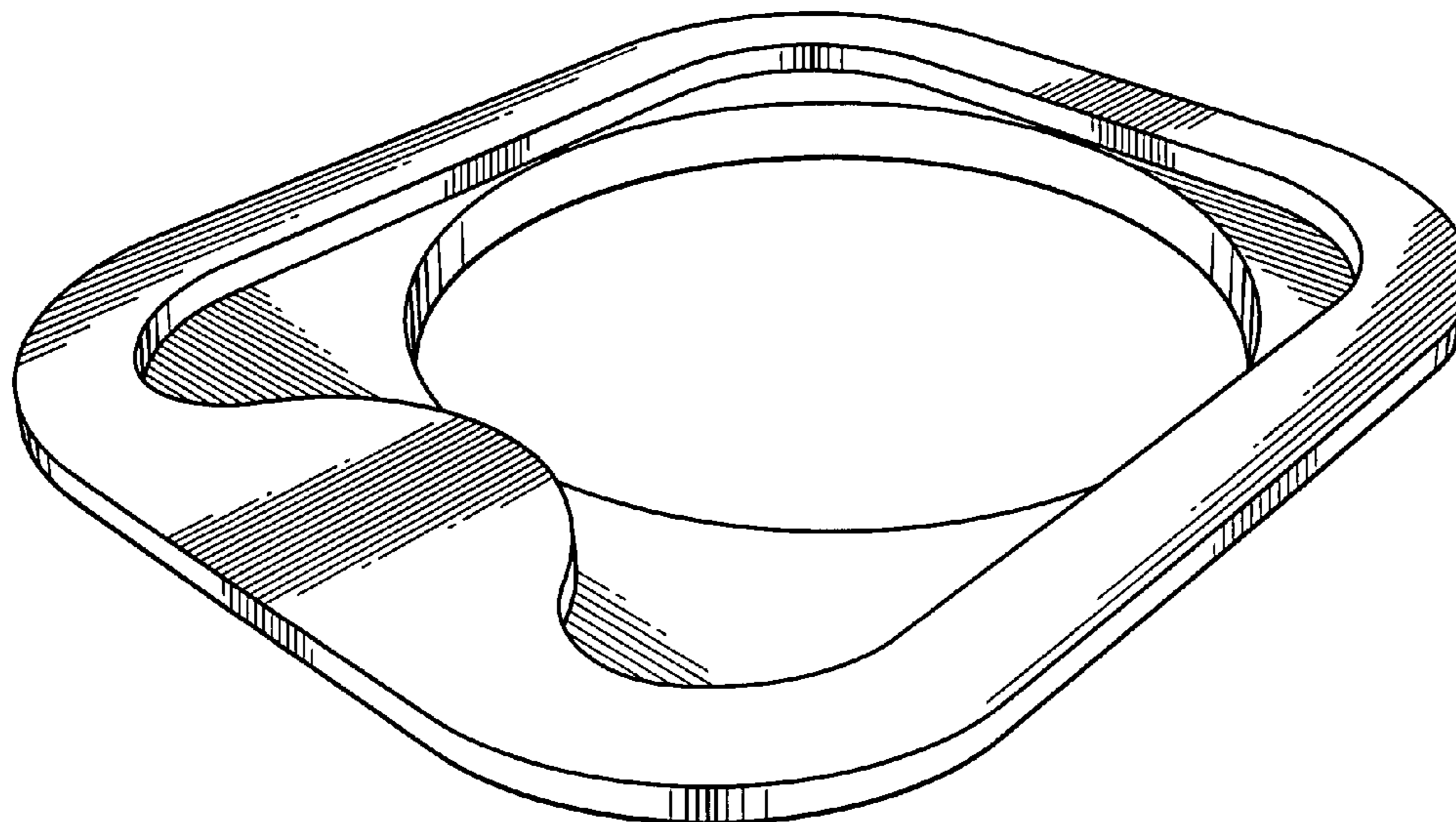
FIG. 3 is a bottom perspective of the cover of FIG. 1.

FIG. 4 is a bottom view of the cover of FIG. 1.

FIG. 5 is a side view of the cover of FIG. 1 (and the opposite side is a mirror image of this side); and,

FIG. 6 is an end view of the cover of FIG. 1 (and the opposite end is like the end shown in FIG. 6).

1 Claim, 2 Drawing Sheets



US D557,394 S

Page 2

U.S. PATENT DOCUMENTS

D394,901	S *	6/1998	Governale et al.	D23/354	7,055,582	B2 *	6/2006	Erisgen	165/122
5,961,093	A	10/1999	Jones et al.	248/678	D534,259	S *	12/2006	David et al.	D23/351
5,987,909	A	11/1999	Martin, Sr.	62/291	D534,260	S *	12/2006	David et al.	D23/351
D425,188	S *	5/2000	Garcia	D23/354	D534,632	S *	1/2007	David et al.	D23/351
6,138,993	A	10/2000	Mitchell, Jr. et al.	256/25	D534,635	S *	1/2007	David et al.	D23/351
D434,480	S *	11/2000	Caronna et al.	D23/351	2004/0076553	A1 *	4/2004	Zobebe et al.	422/120
6,276,443	B1	8/2001	Martin, Sr.	166/126	2005/0144975	A1 *	7/2005	Fuchikami et al.	62/507
6,378,320	B1	4/2002	Matambo	62/259.2	2006/0059935	A1 *	3/2006	Braswell	62/259.1
6,519,966	B1	2/2003	Martin, Sr.	62/324.1	2006/0174645	A1 *	8/2006	Erisgen	62/298
6,708,514	B1 *	3/2004	Miller	62/259.1	2007/0051864	A1 *	3/2007	Bartell et al.	248/346.01
7,051,536	B1 *	5/2006	Cohen et al.	62/259.1					

* cited by examiner

FIG. 1

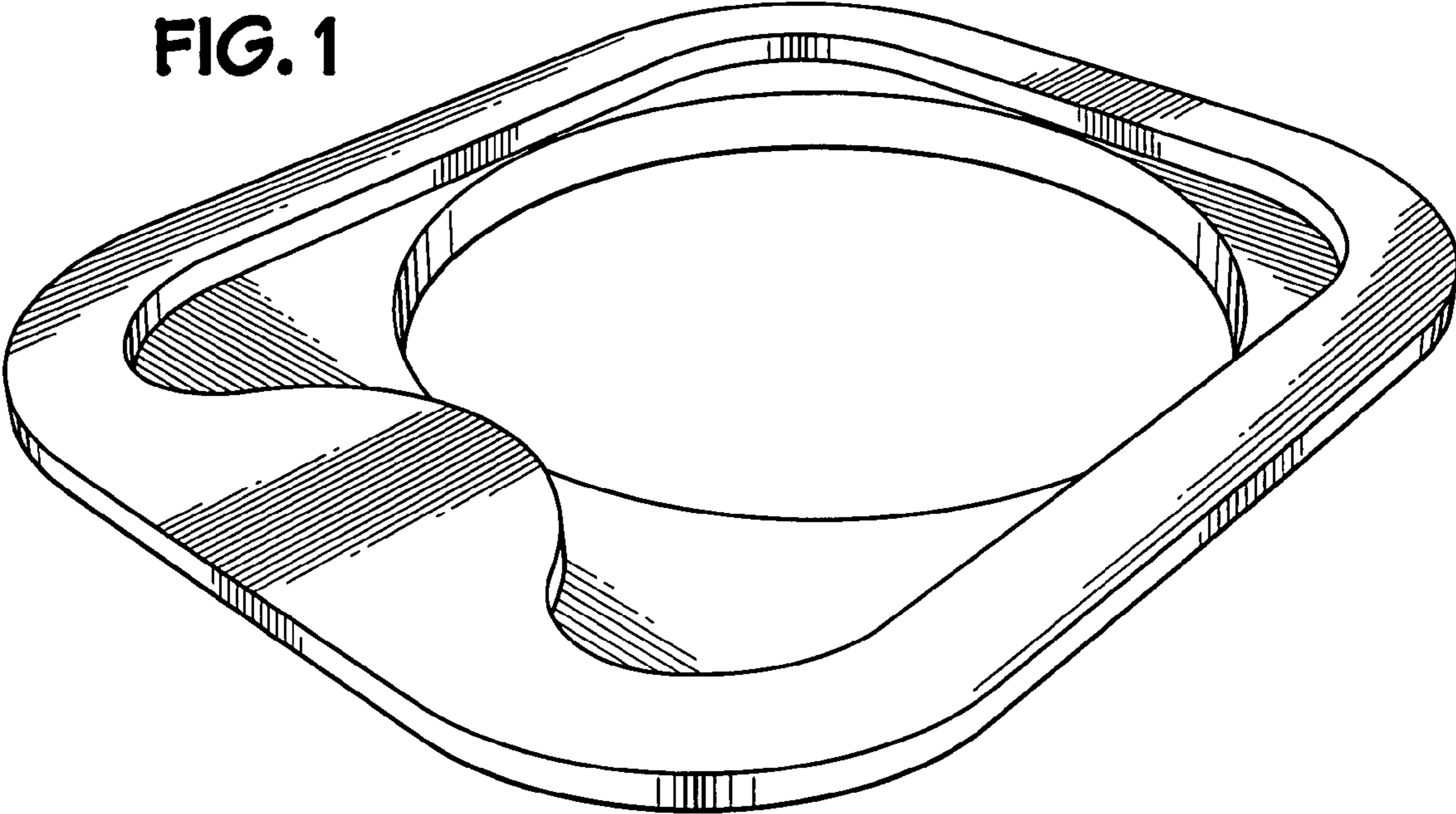


FIG. 2

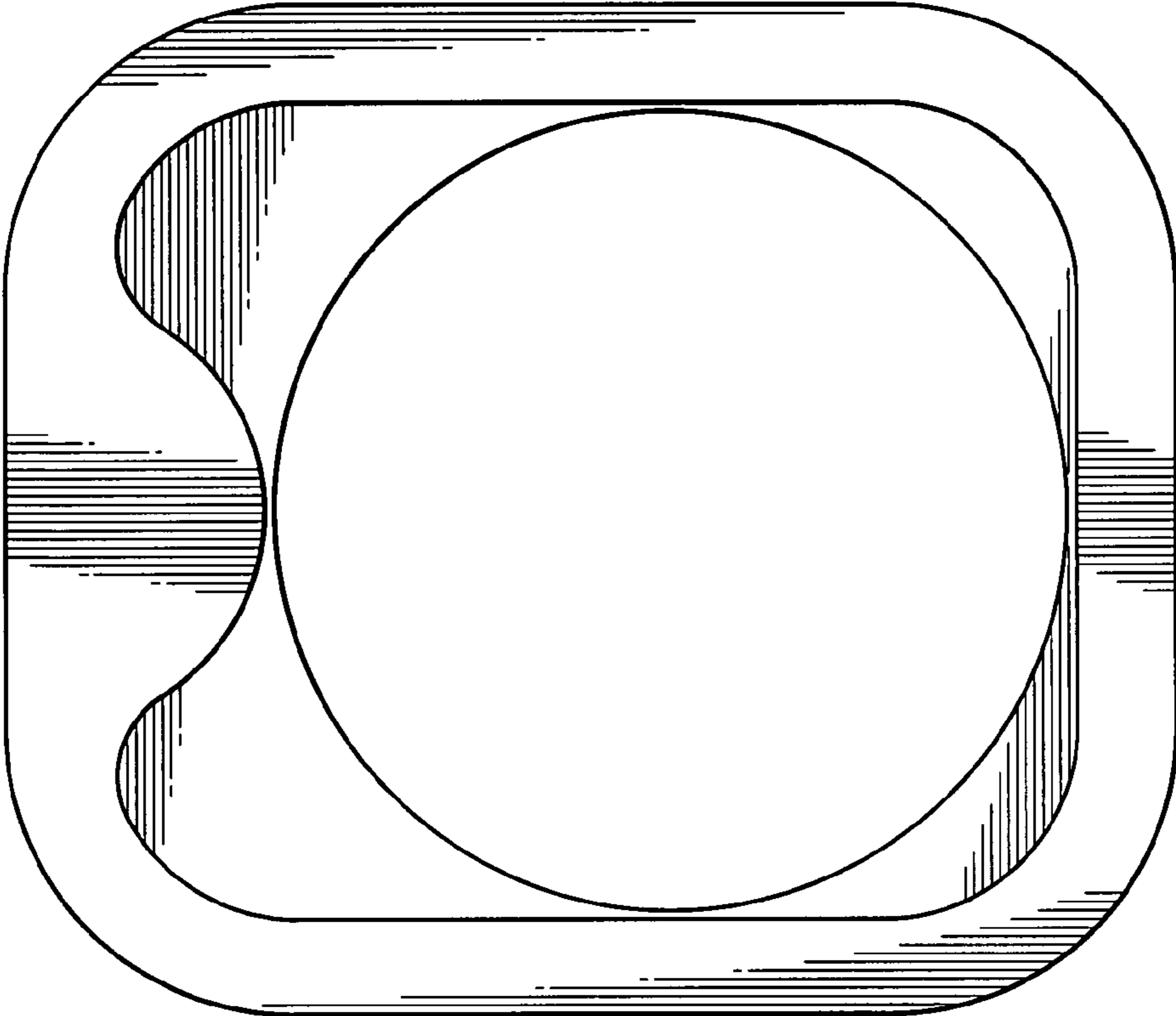


FIG. 3

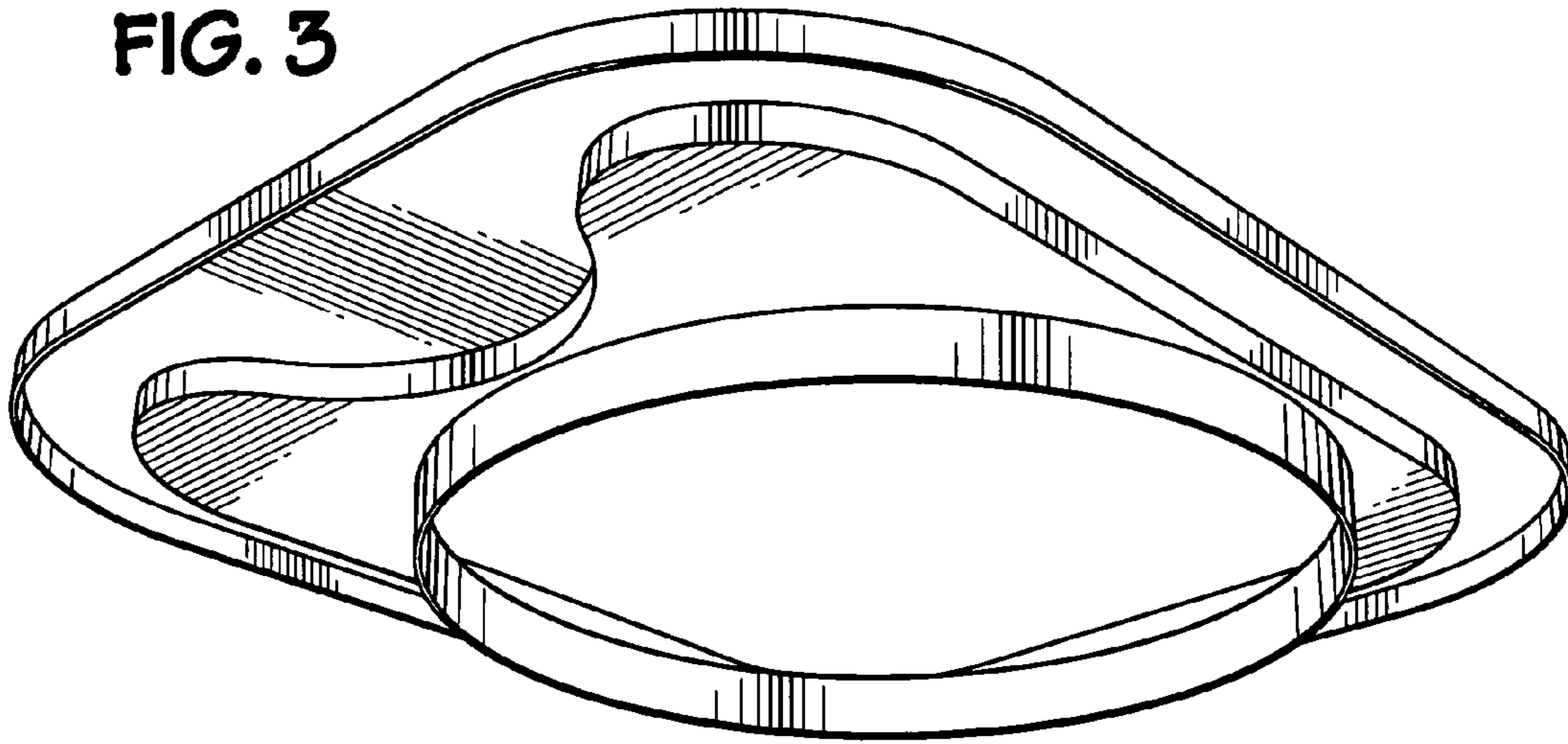


FIG. 4

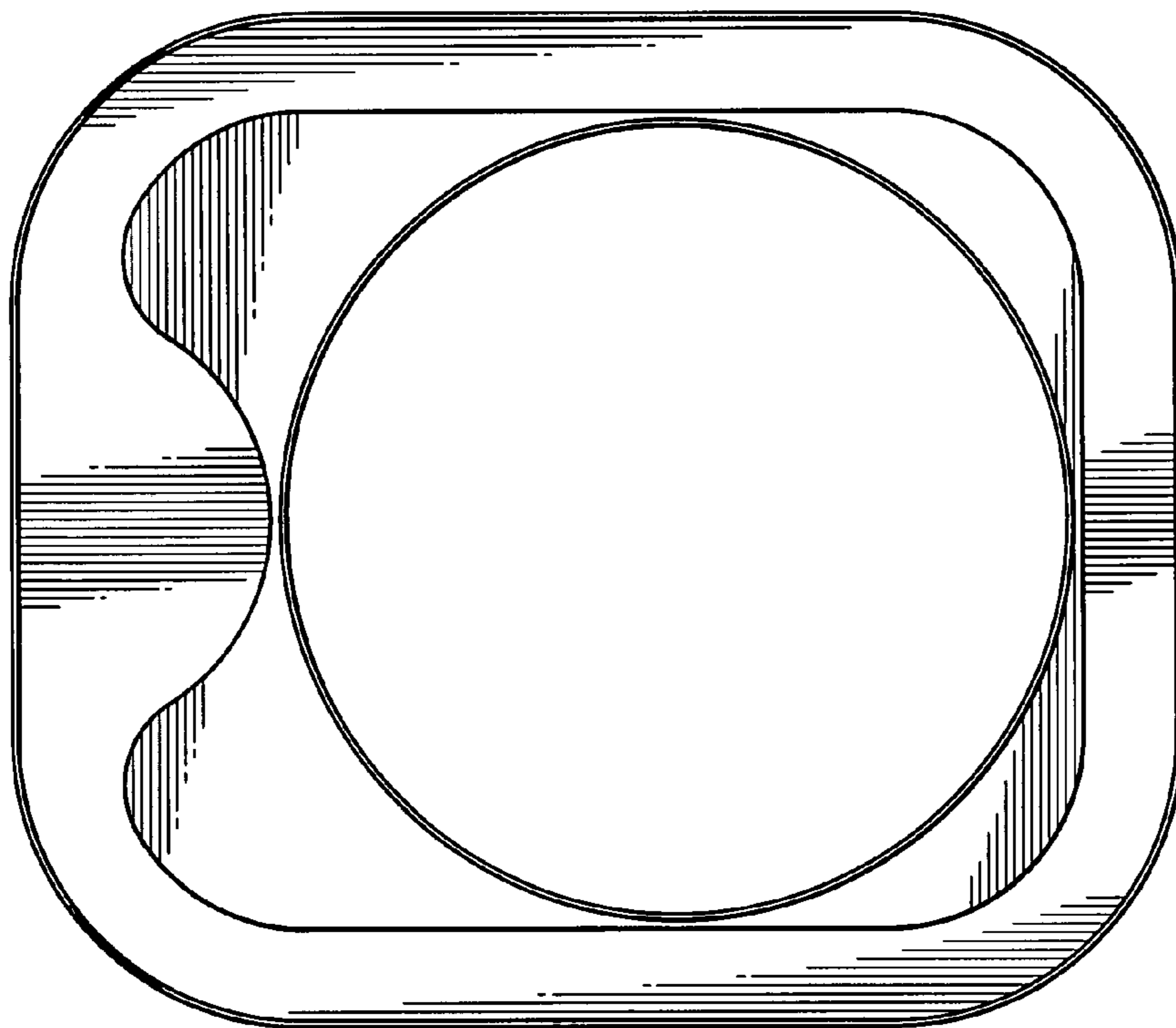


FIG. 5

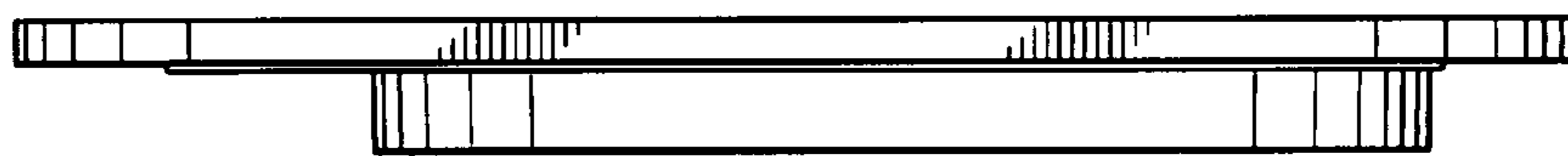


FIG. 6

