



US00D557389S

(12) **United States Design Patent**
Hou

(10) **Patent No.:** **US D557,389 S**

(45) **Date of Patent:** **** Dec. 11, 2007**

(54) **TOILET**

D427,292 S * 6/2000 Garza D23/295
D521,617 S * 5/2006 Hou D23/301

(75) Inventor: **Camel Hou**, Weifang (CN)

* cited by examiner

(73) Assignee: **Globe Union Industrial Corp.**,
Taichung (TW)

Primary Examiner—Robert A. Delehanty
(74) *Attorney, Agent, or Firm*—Leong C. Lei

(**) Term: **14 Years**

(57) **CLAIM**

(21) Appl. No.: **29/253,633**

The ornamental design for a toilet, as shown and described.

(22) Filed: **Feb. 10, 2006**

DESCRIPTION

(51) **LOC (8) Cl.** **23-02**

(52) **U.S. Cl.** **D23/295**

(58) **Field of Classification Search** D23/273–274,
D23/295–301, 303, 309; 4/663–665, 300,
4/329, 420, 443, 661, 905, DIG. 11, DIG. 12
See application file for complete search history.

FIG. 1 is a perspective view of a toilet showing my new design;

FIG. 2 is a front elevational view thereof;

FIG. 3 is a rear elevational view thereof;

FIG. 4 is a left side elevational view thereof;

FIG. 5 is a right side elevational view thereof; and,

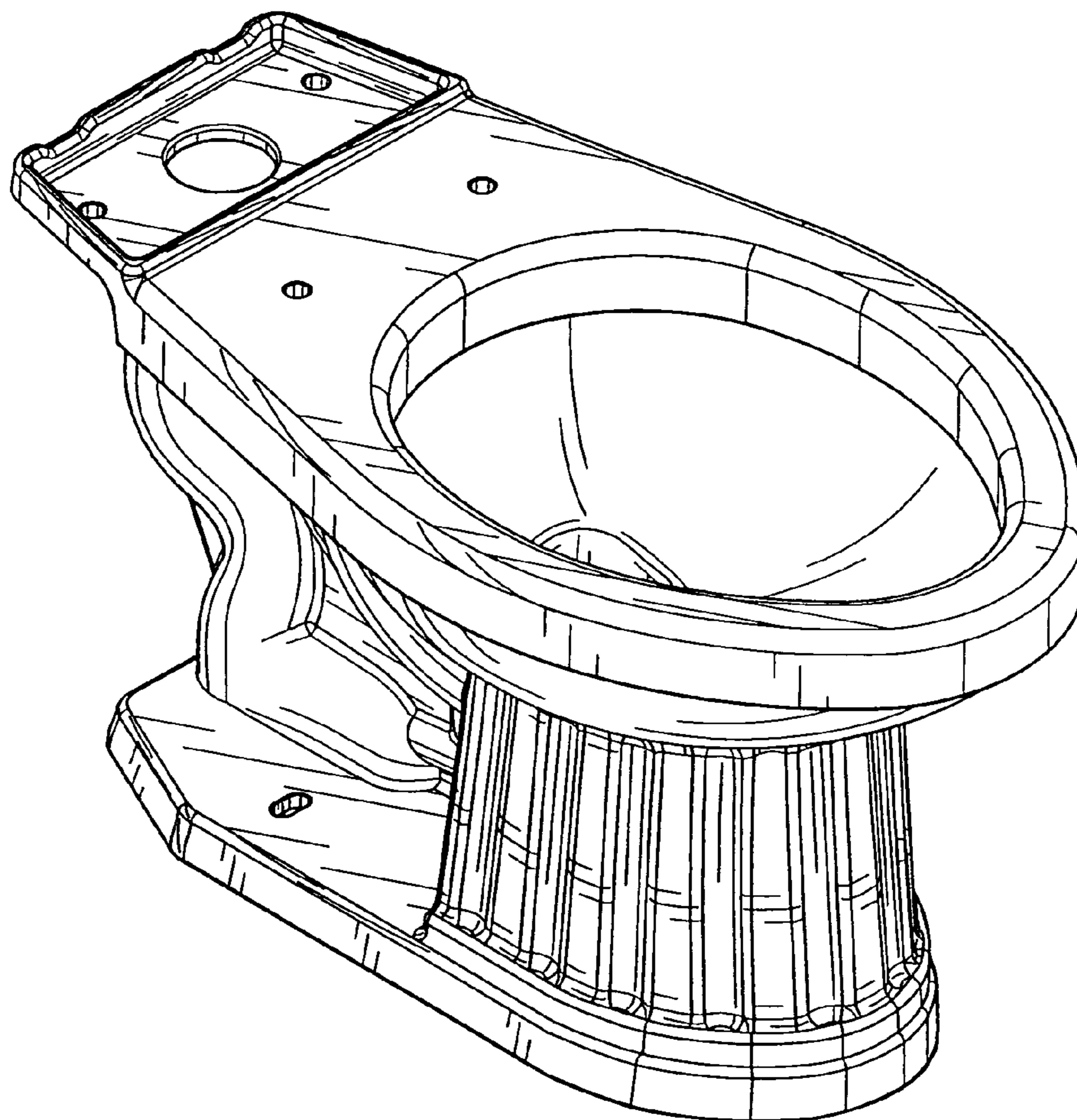
FIG. 6 is a top plan view thereof.

(56) **References Cited**

U.S. PATENT DOCUMENTS

D422,686 S * 4/2000 Garza D23/301

1 Claim, 6 Drawing Sheets



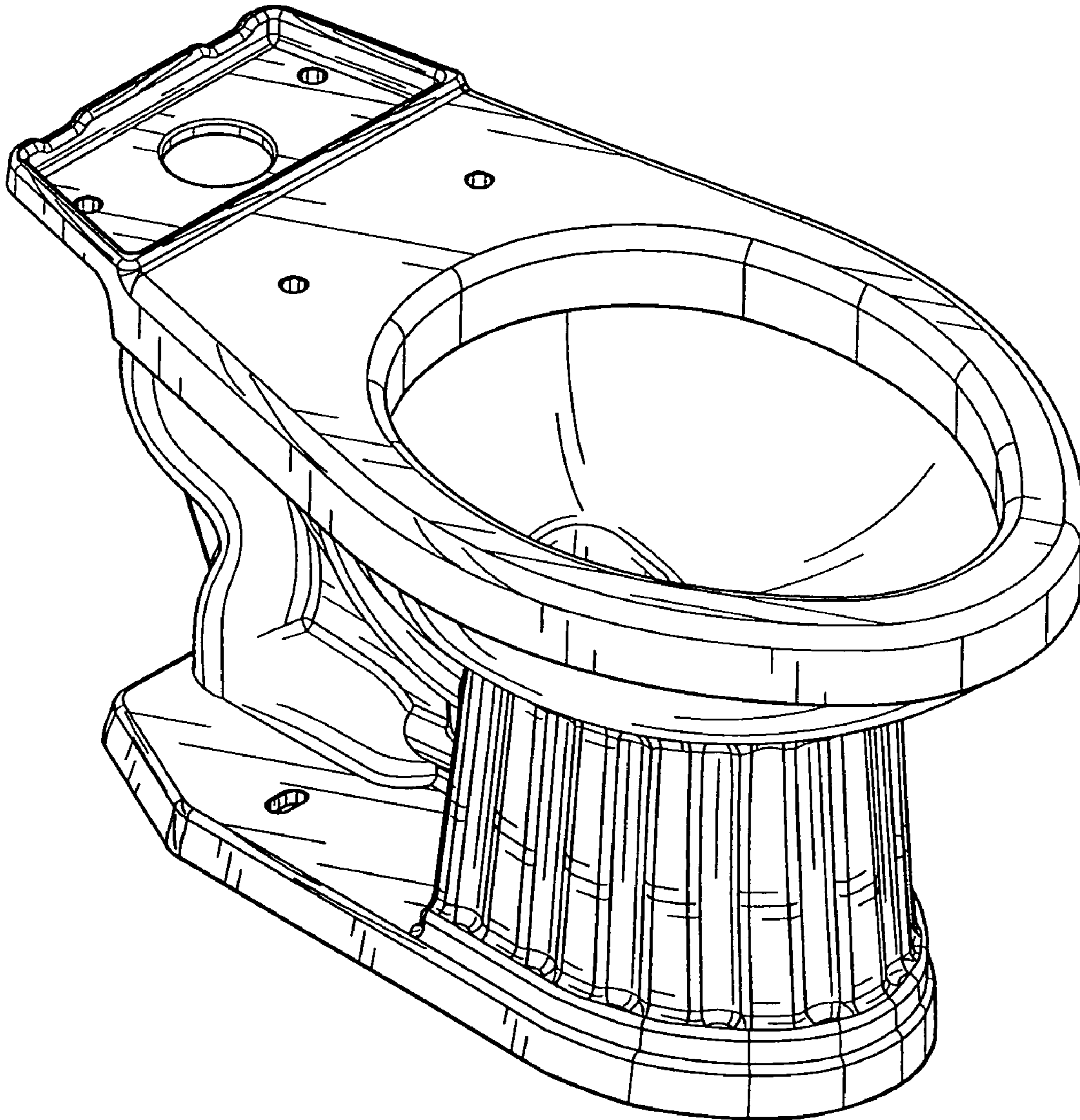


FIG. 1

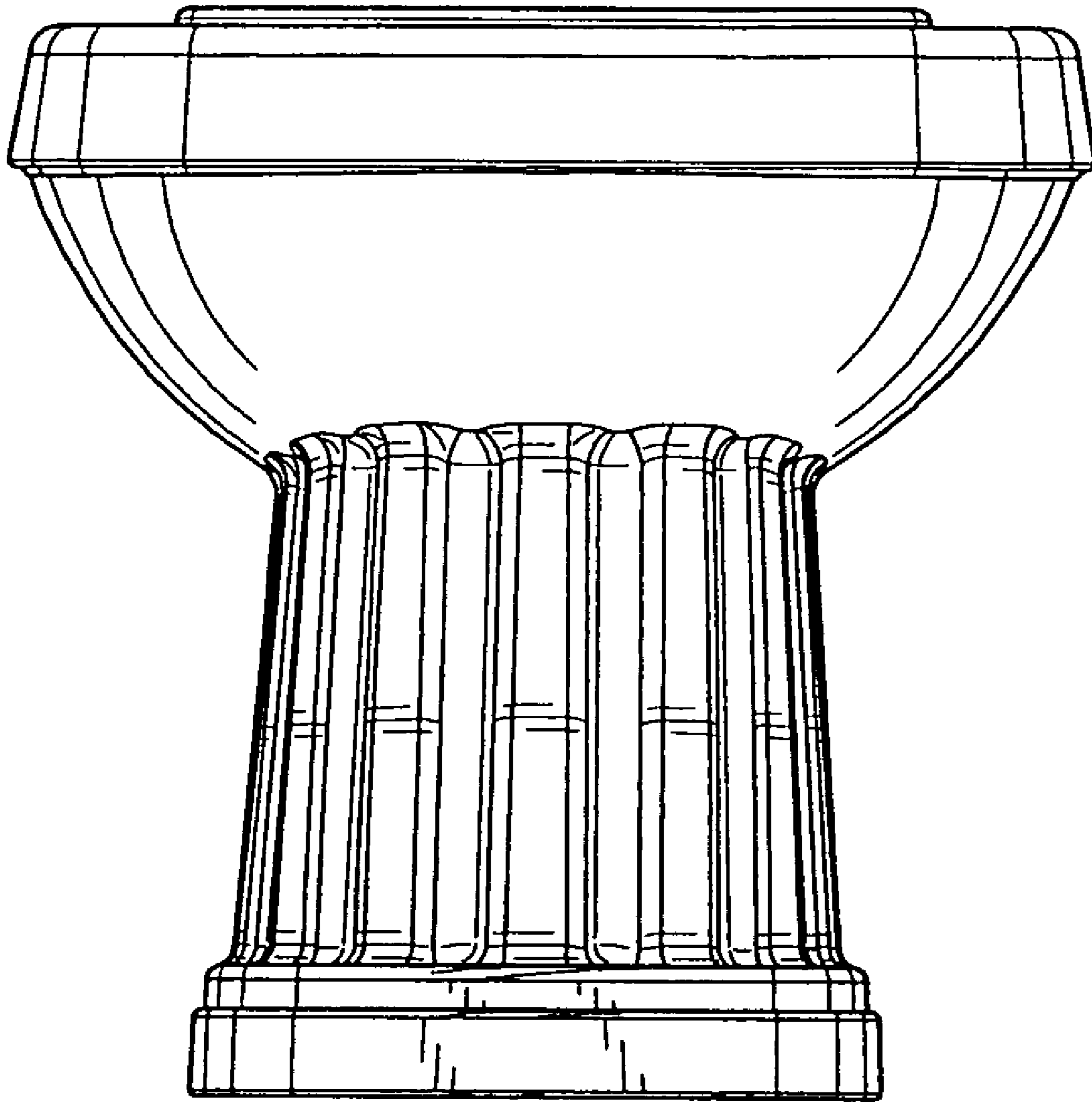


FIG. 2

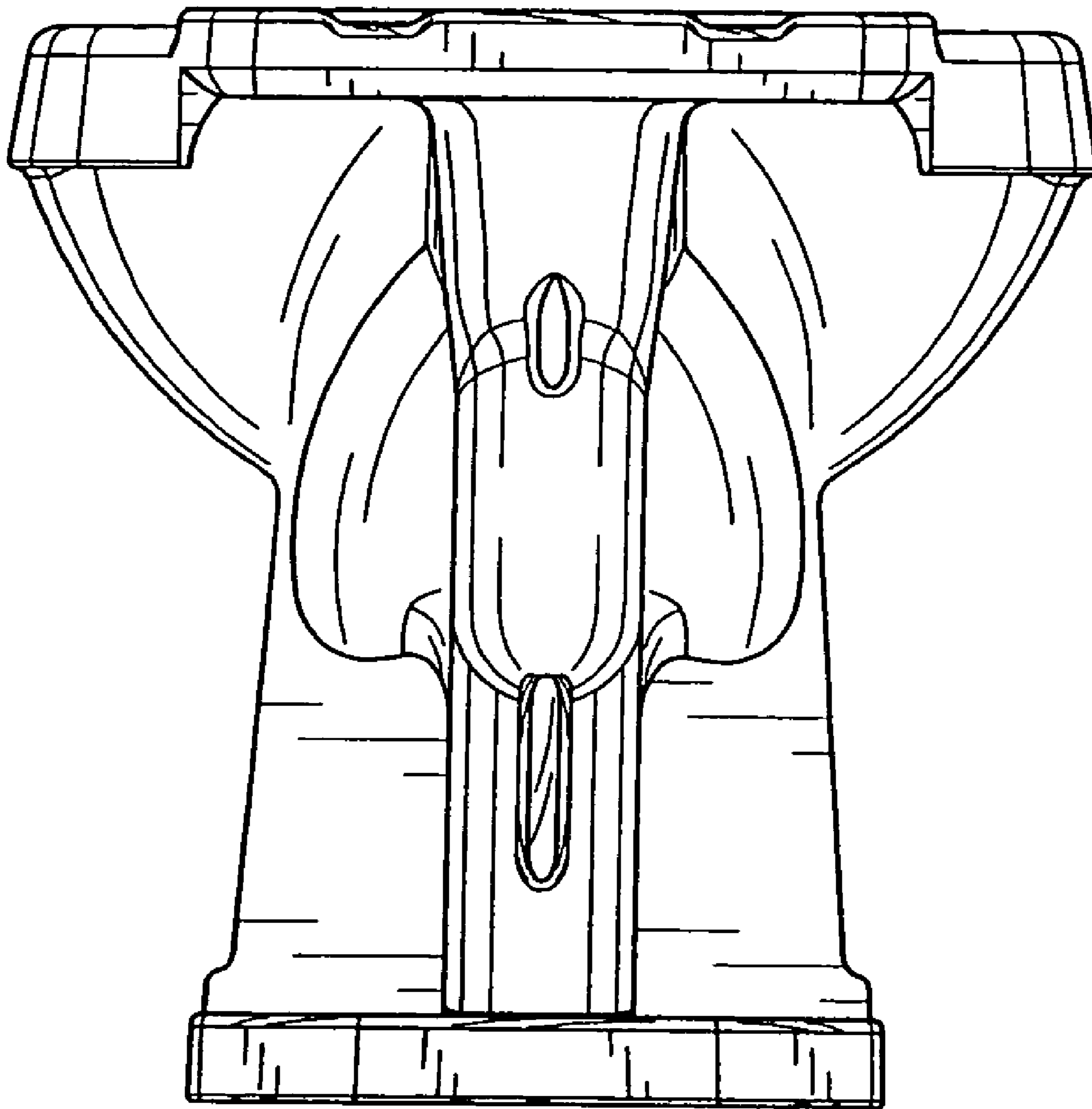


FIG. 3

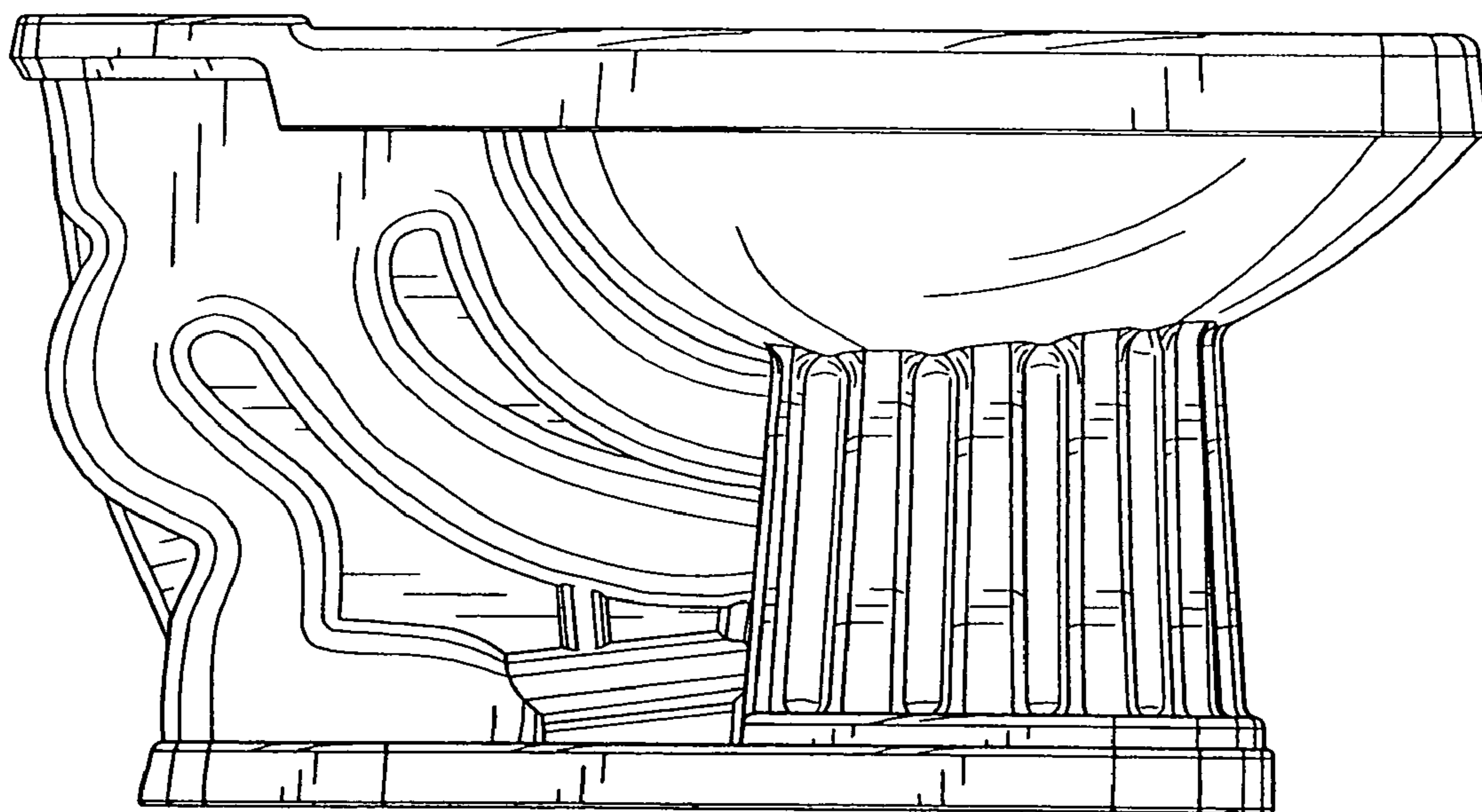


FIG. 4

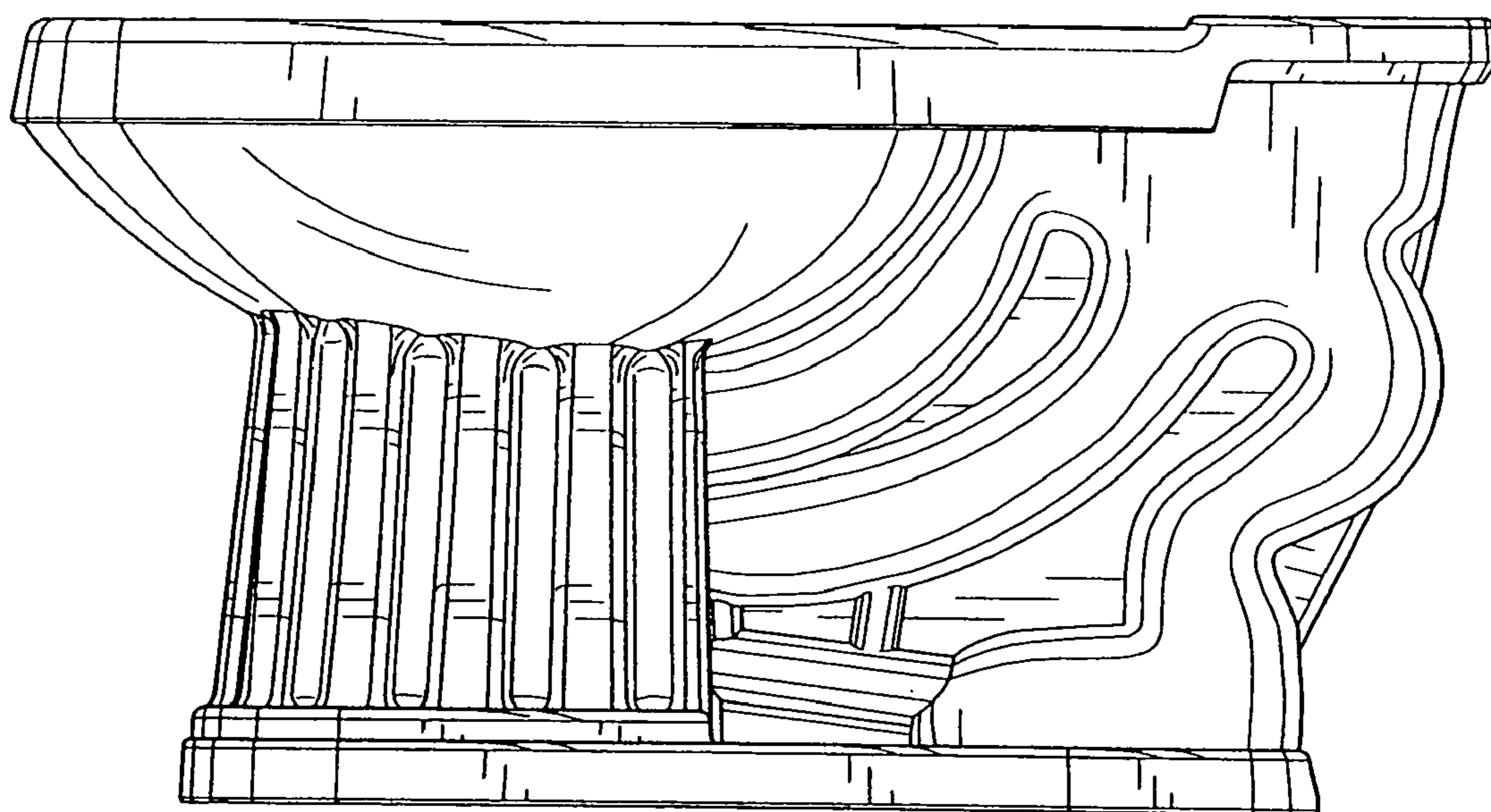


FIG. 5

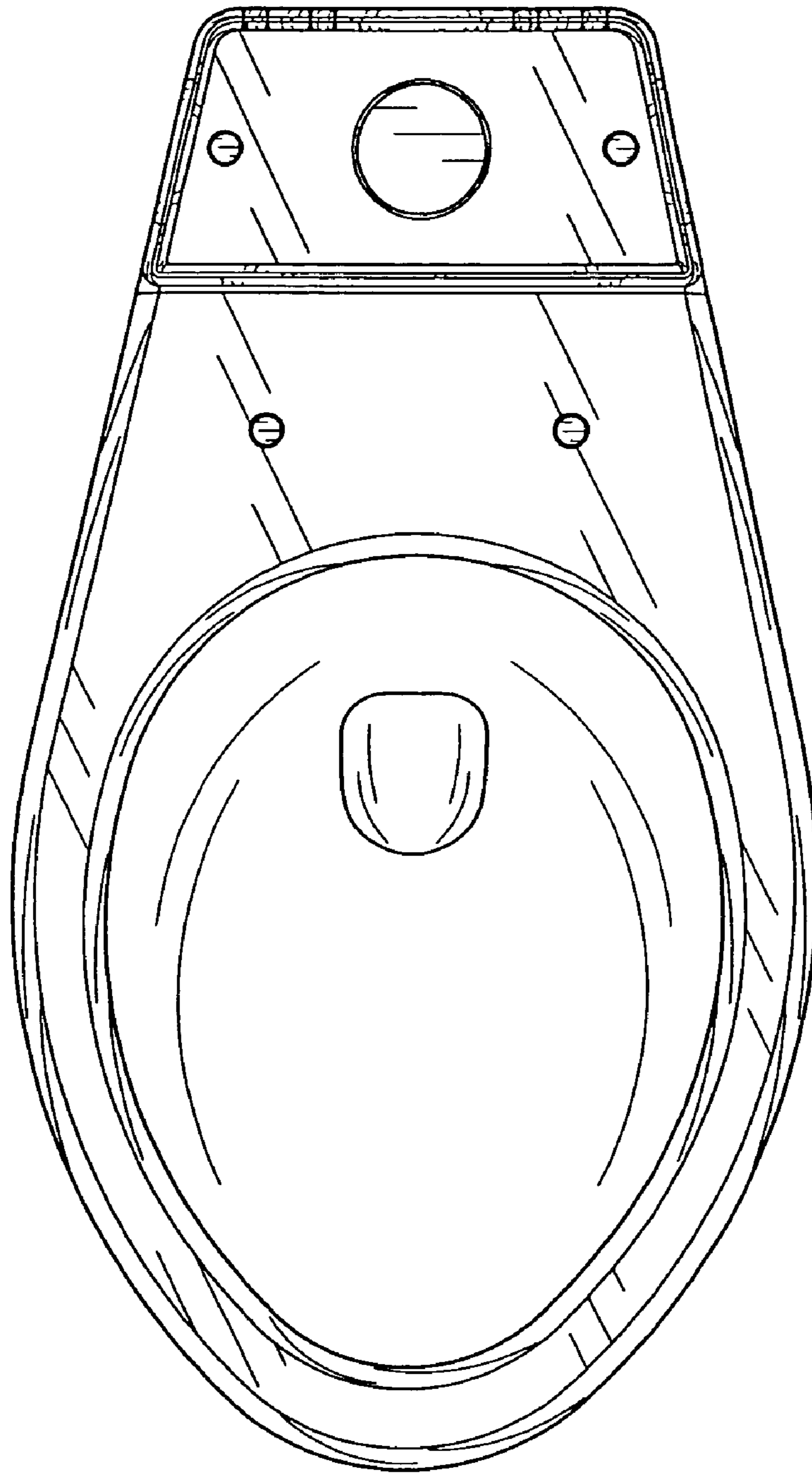


FIG. 6