



US00D557384S

(12) **United States Design Patent**
Garner

(10) **Patent No.:** **US D557,384 S**

(45) **Date of Patent:** **** Dec. 11, 2007**

(54) **SPOUT**

(75) Inventor: **Pierre Garner**, Paris (FR)

(73) Assignee: **Toto Ltd.**, Kitakyushu (JP)

(**) Term: **14 Years**

(21) Appl. No.: **29/260,440**

(22) Filed: **May 25, 2006**

(30) **Foreign Application Priority Data**

Mar. 10, 2006 (JP) 2006-006091

(51) **LOC (8) Cl.** **23-01**

(52) **U.S. Cl.** **D23/255**

(58) **Field of Classification Search** D23/238-257;
4/675-678; 137/801

See application file for complete search history.

(56) **References Cited**

U.S. PATENT DOCUMENTS

D530,782 S * 10/2006 Starck D23/238

D534,252 S * 12/2006 Bouroullec et al. D23/255

* cited by examiner

Primary Examiner—Lou Zarfaz

Assistant Examiner—Gregory Andoll

(74) *Attorney, Agent, or Firm*—Birch, Stewart, Kolasch & Birch, LLP

(57) **CLAIM**

The ornamental design for a spout, as shown and described.

DESCRIPTION

FIG. 1 is a perspective view of the top, front and right side of a spout showing my new design;

FIG. 2 is a front view thereof;

FIG. 3 is a rear view thereof;

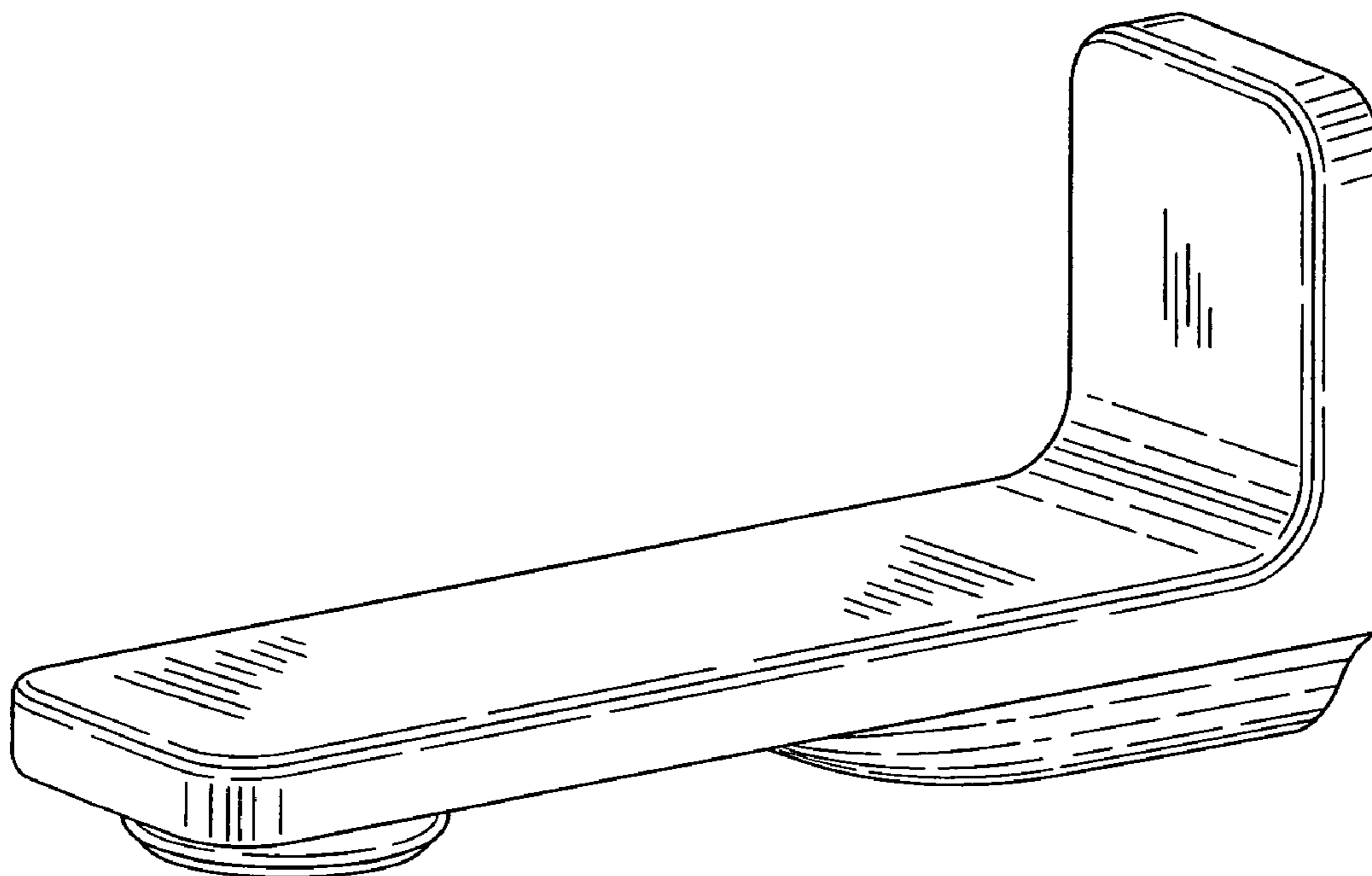
FIG. 4 is a left side view thereof;

FIG. 5 is a right side view thereof;

FIG. 6 is a top plan view thereof; and,

FIG. 7 is a bottom view thereof.

1 Claim, 4 Drawing Sheets



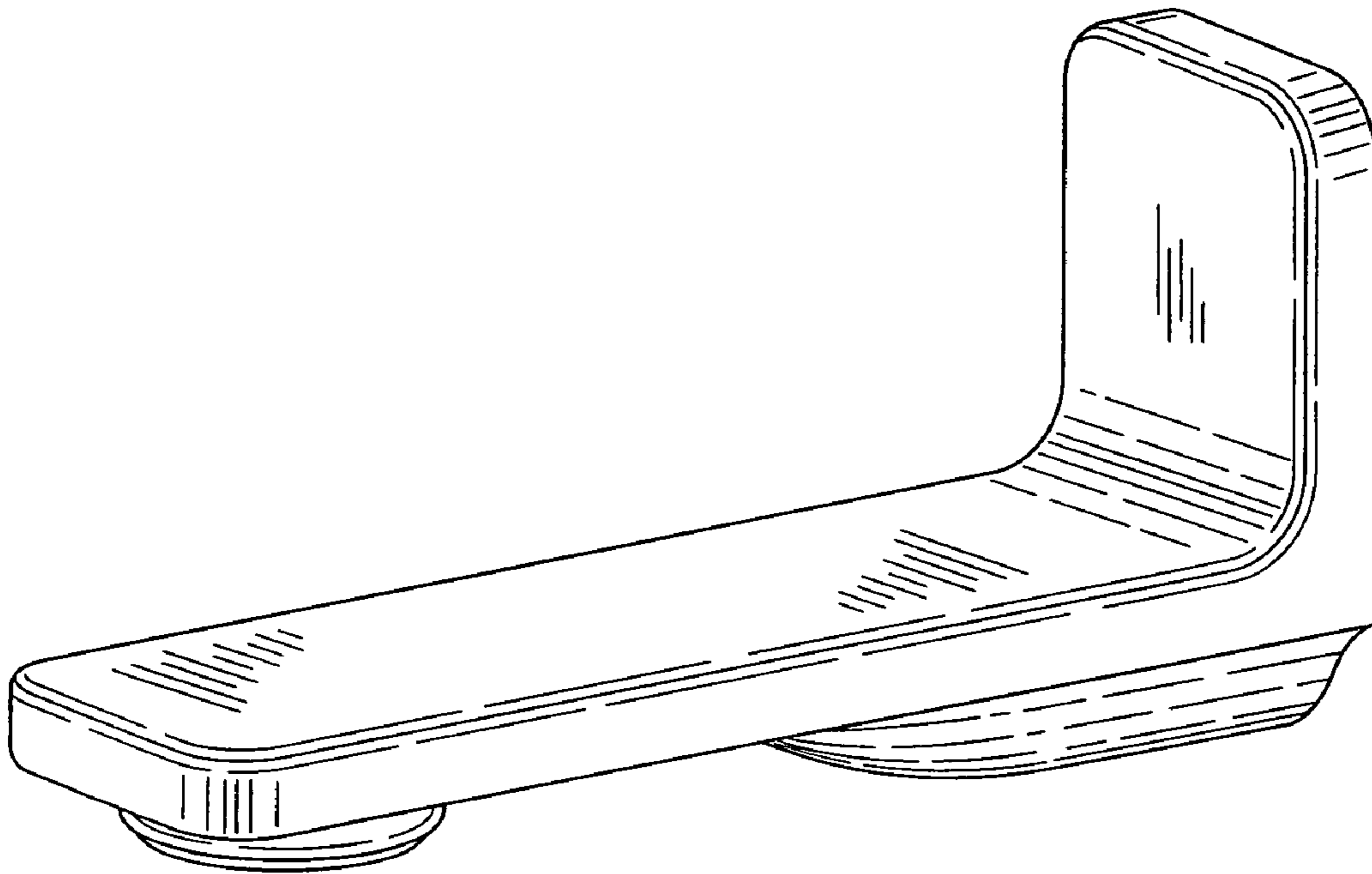


FIG. 1

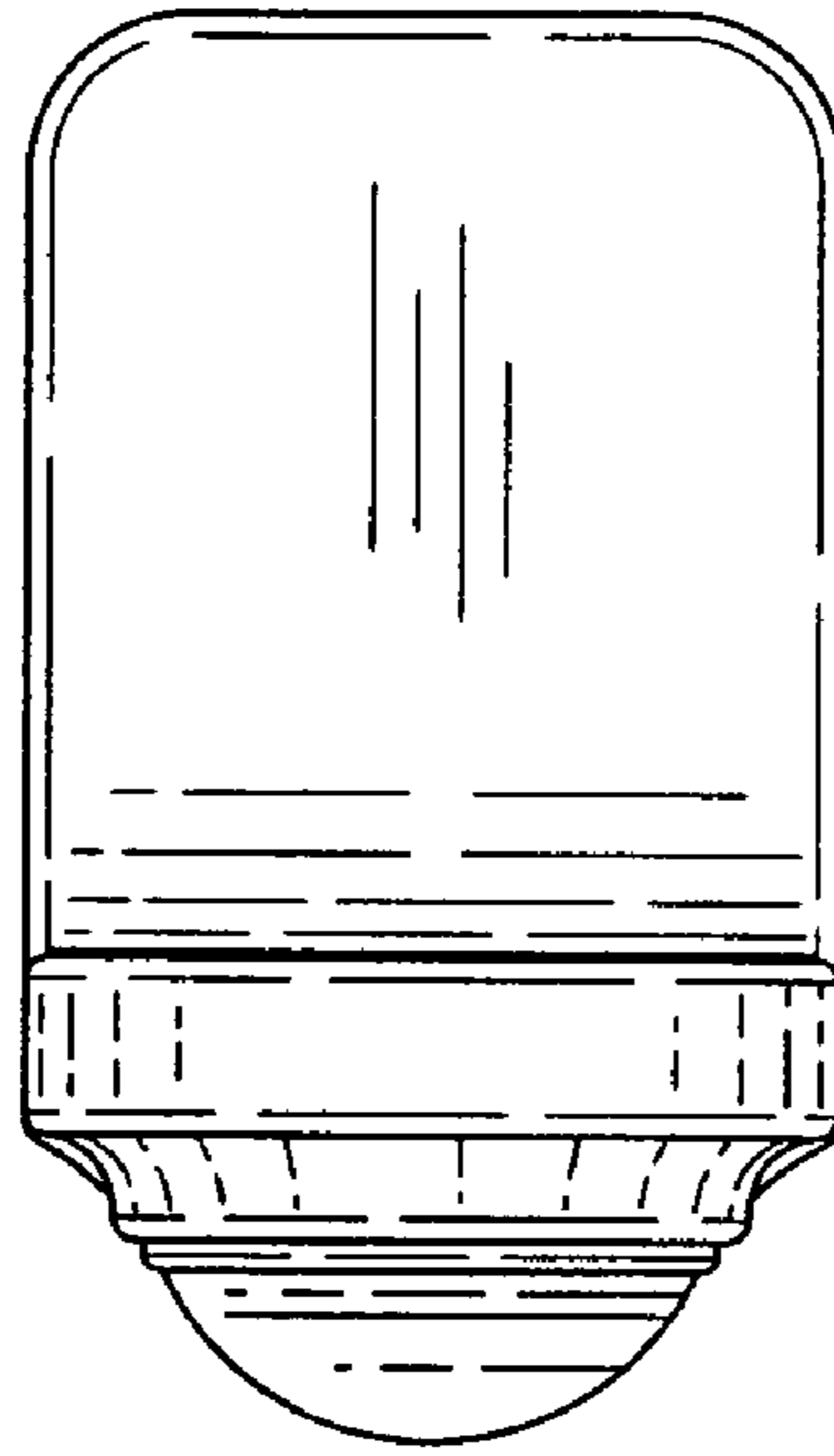


FIG. 2

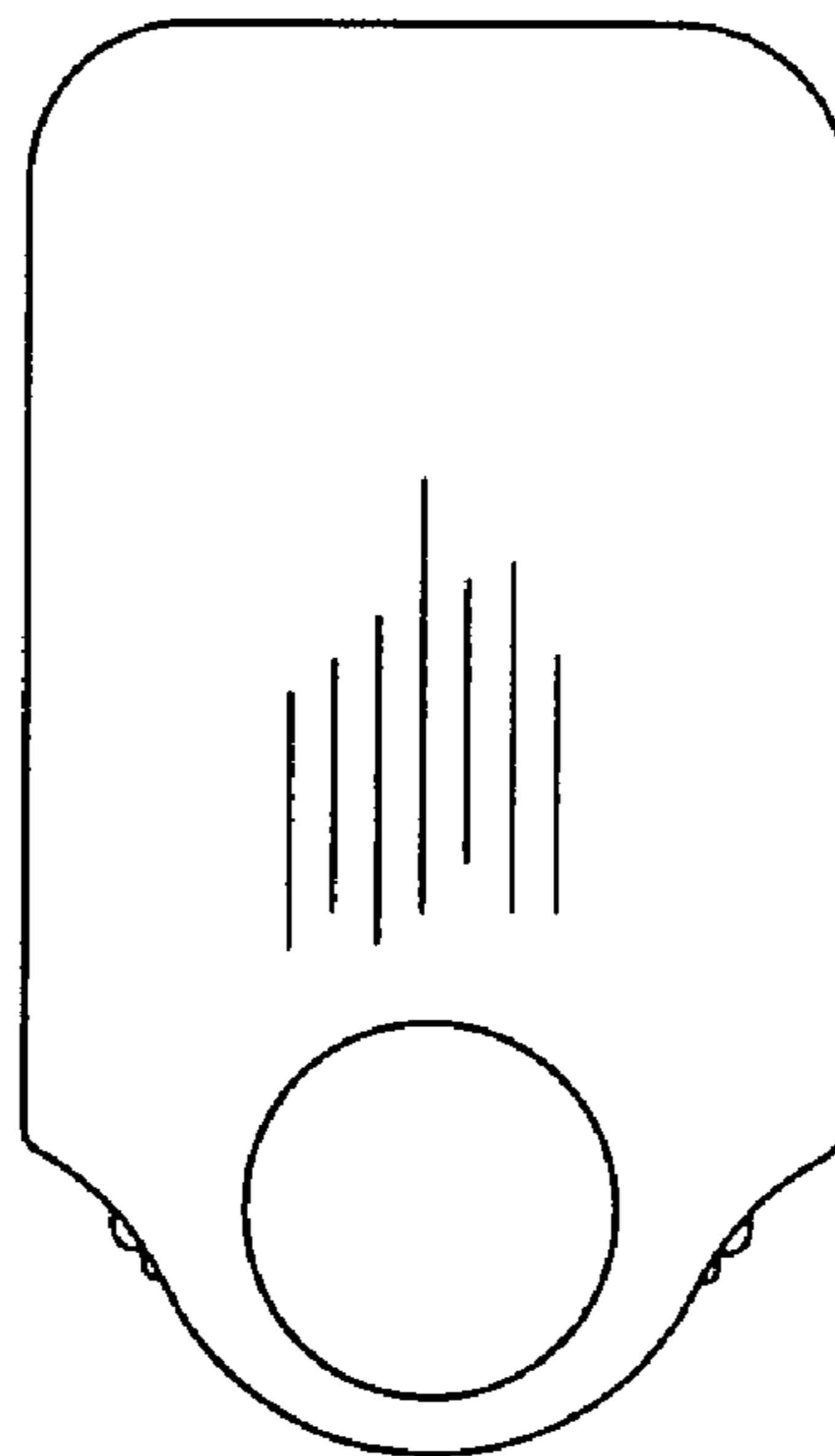


FIG. 3

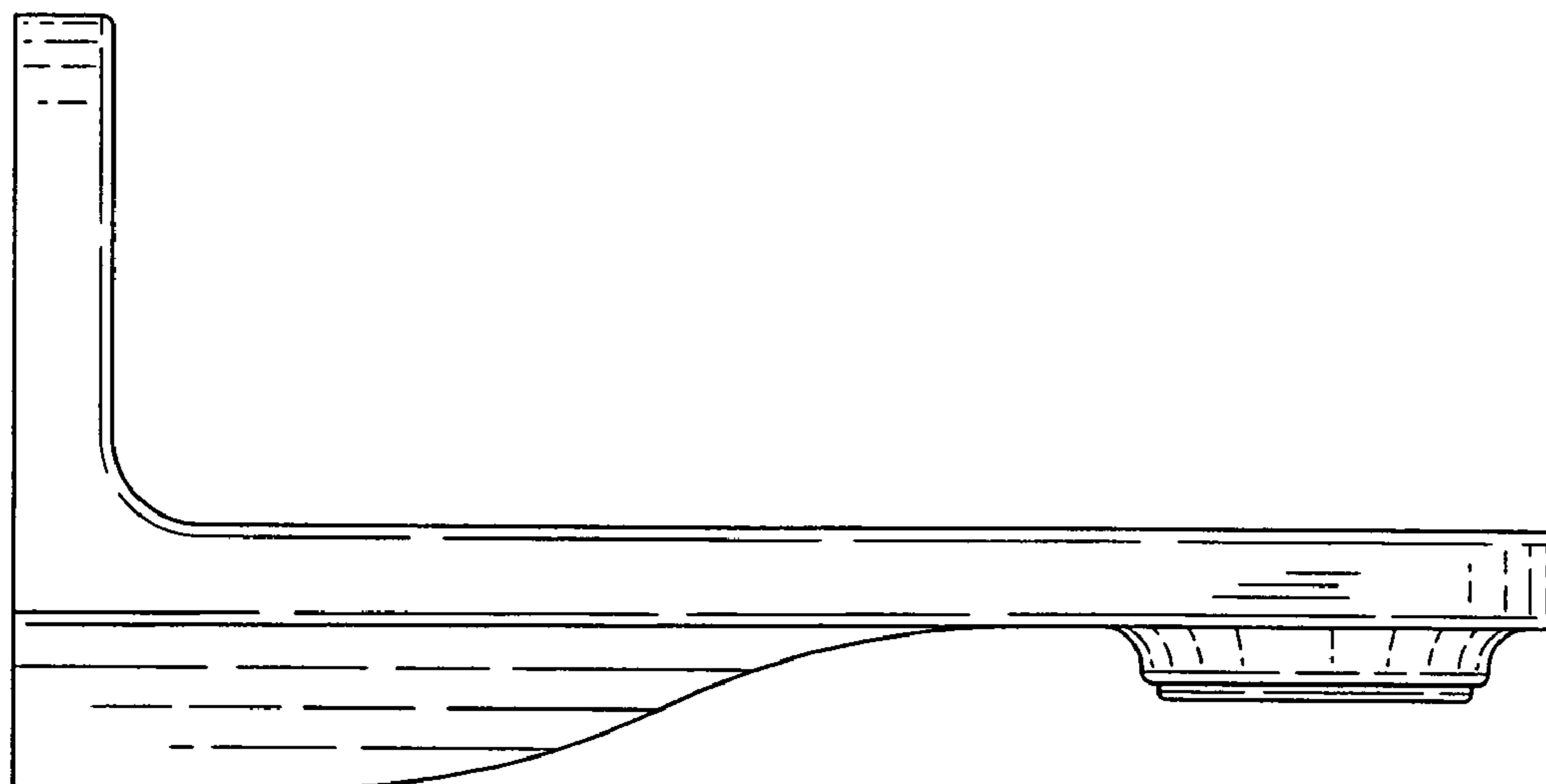


FIG. 4

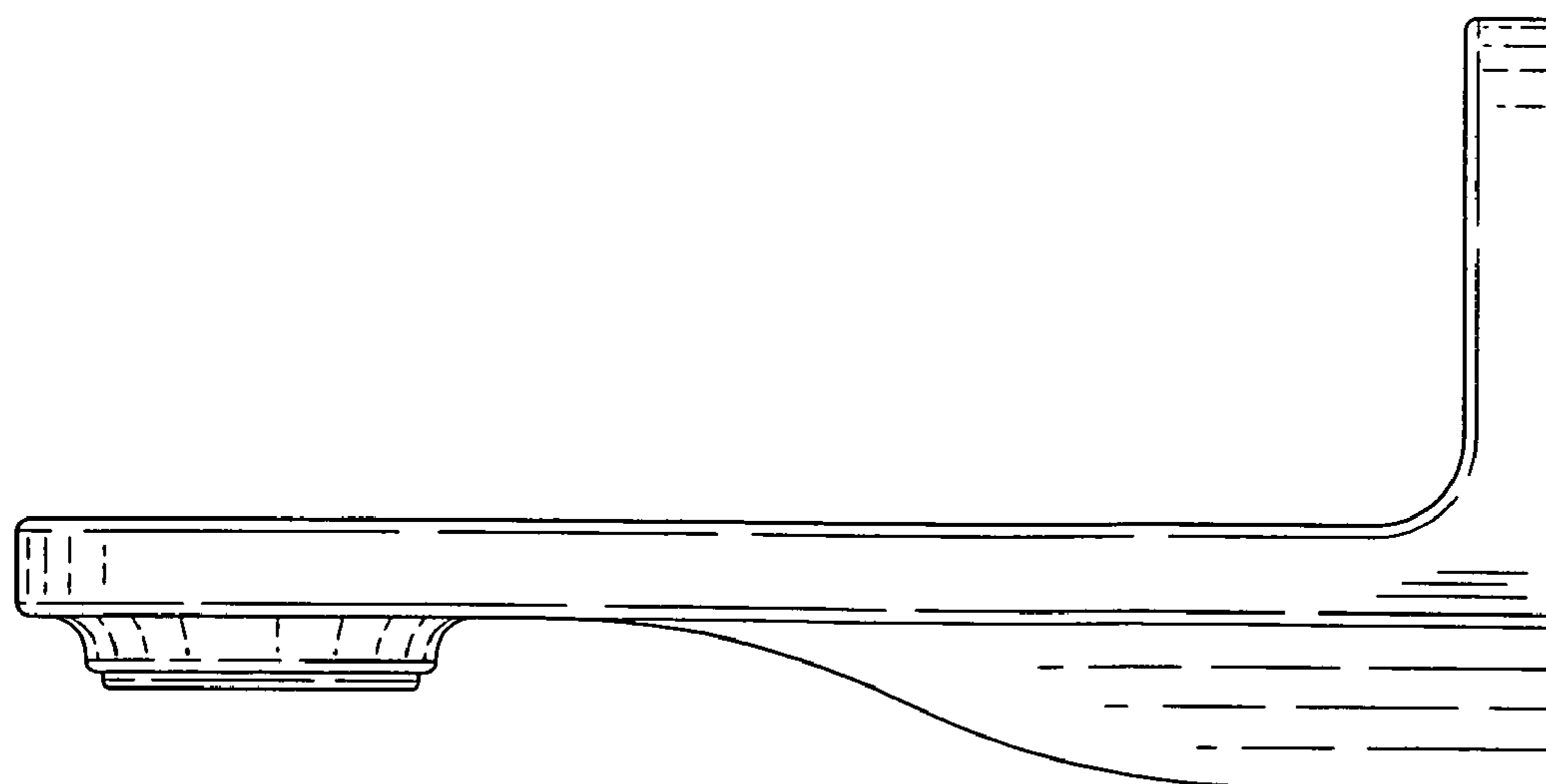


FIG. 5

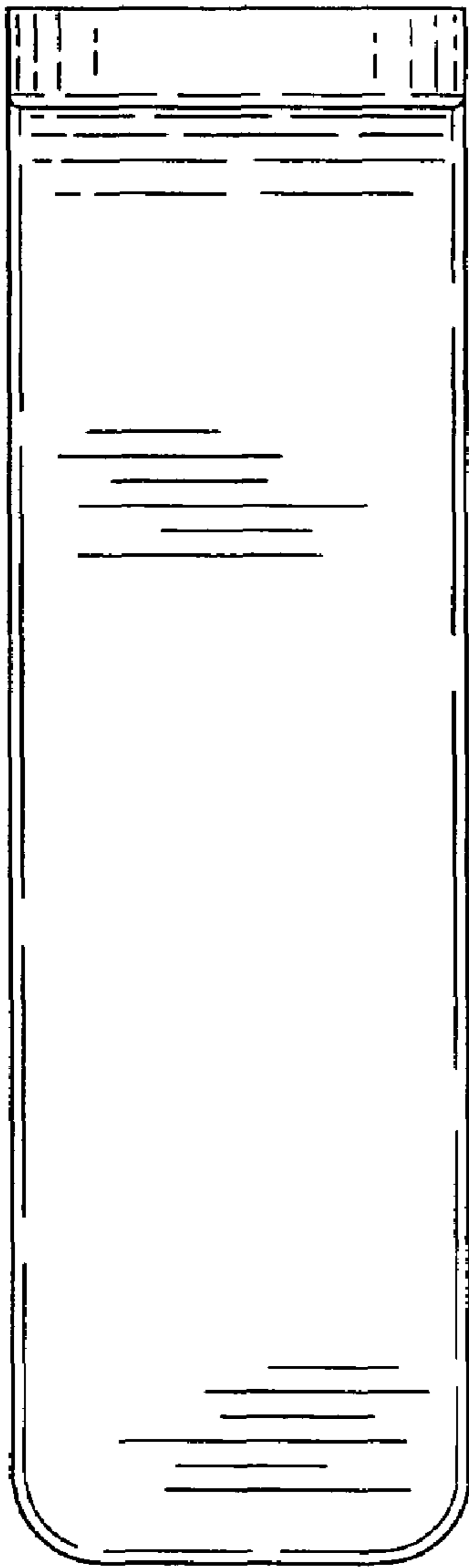


FIG. 6

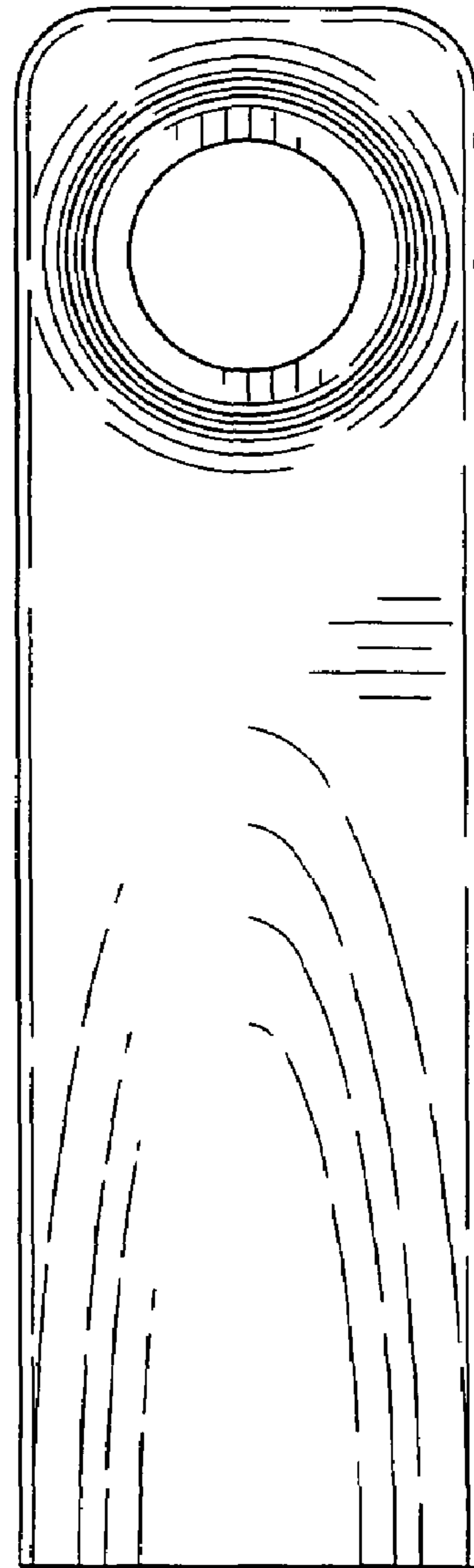


FIG. 7