



US00D557381S

(12) **United States Design Patent**
Garner

(10) **Patent No.:** **US D557,381 S**

(45) **Date of Patent:** **** Dec. 11, 2007**

(54) **FAUCET AND HANDLE SET**

D534,619 S * 1/2007 Garner D23/238
D538,894 S * 3/2007 Hoernig D23/241

(75) Inventor: **Pierre Garner**, Paris (FR)

* cited by examiner

(73) Assignee: **Toto Ltd.**, Fukuoka-Pref. (JP)

Primary Examiner—Lou Zarfaz

(**) Term: **14 Years**

Assistant Examiner—Gregory Andoll

(21) Appl. No.: **29/260,439**

(74) *Attorney, Agent, or Firm*—Birch, Stewart, Kolasch & Birch, LLP

(22) Filed: **May 25, 2006**

(57) **CLAIM**

(30) **Foreign Application Priority Data**

The ornamental design for a faucet and handle set, as shown and described.

Mar. 10, 2006 (JP) 2006-006087

DESCRIPTION

(51) **LOC (8) Cl.** **23-01**

FIG. 1 is a perspective view of the top, front and right side of a faucet and handle set showing my new design;

(52) **U.S. Cl.** **D23/241; D23/242**

FIG. 2 is a front view thereof;

(58) **Field of Classification Search** D23/238–257;
4/675–678; 137/801

FIG. 3 is a rear view thereof;

See application file for complete search history.

FIG. 4 is a left side view thereof;

FIG. 5 is a right side view thereof; and,

FIG. 6 is a top plan view thereof.

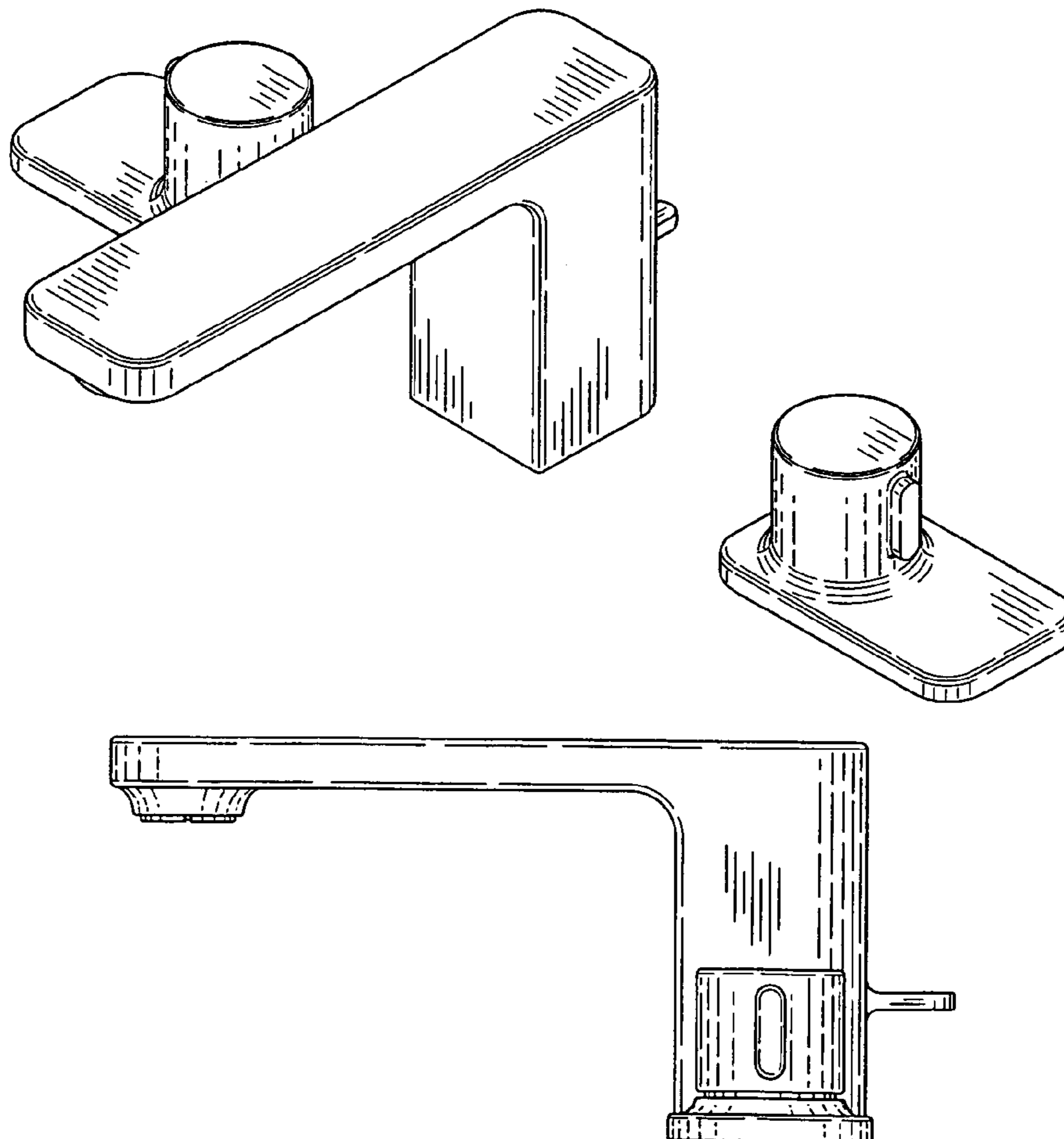
(56) **References Cited**

U.S. PATENT DOCUMENTS

D510,612 S * 10/2005 Lammel et al. D23/241

D528,640 S * 9/2006 Yoshioka D23/255

1 Claim, 4 Drawing Sheets



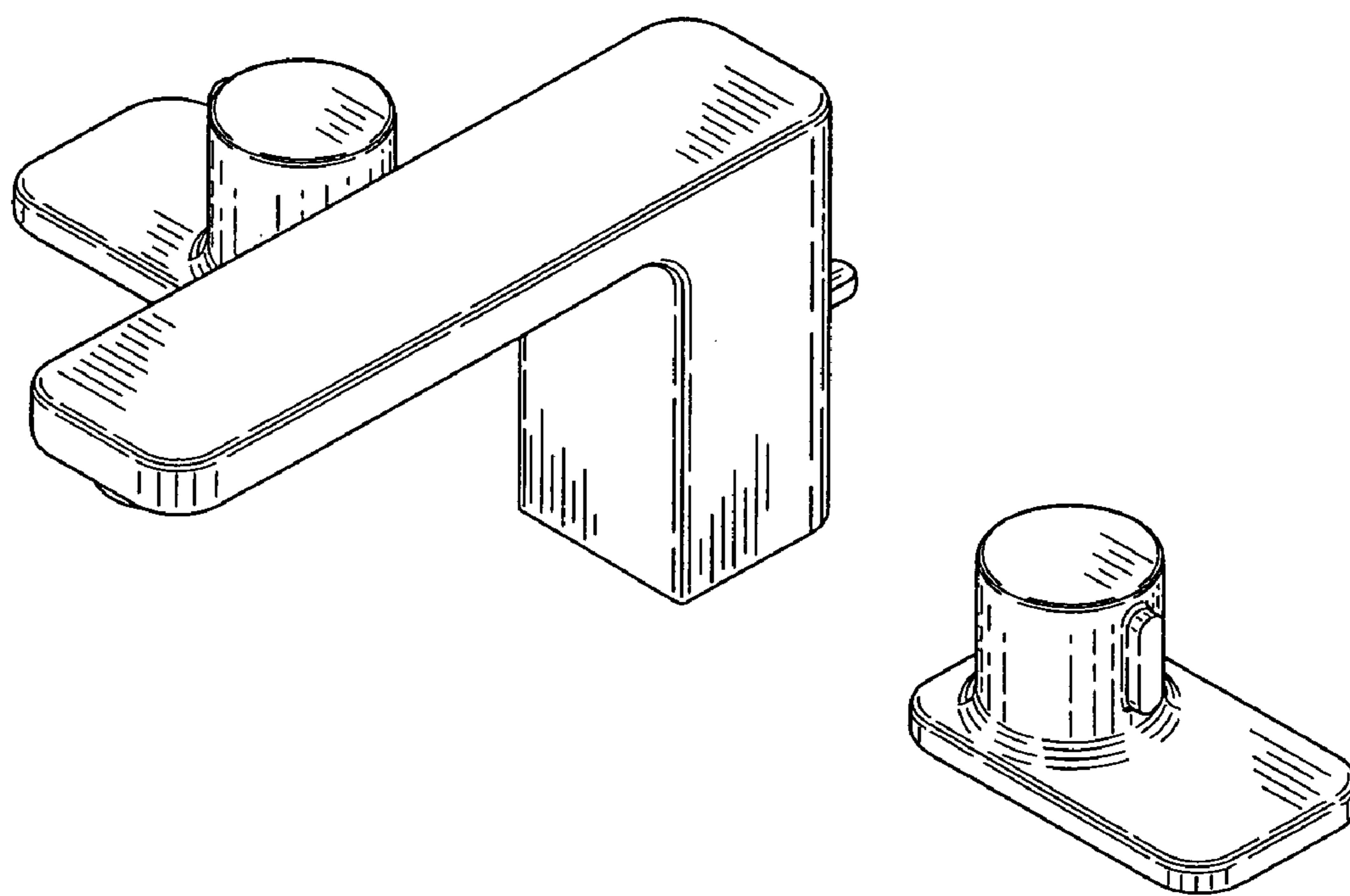


FIG. 1

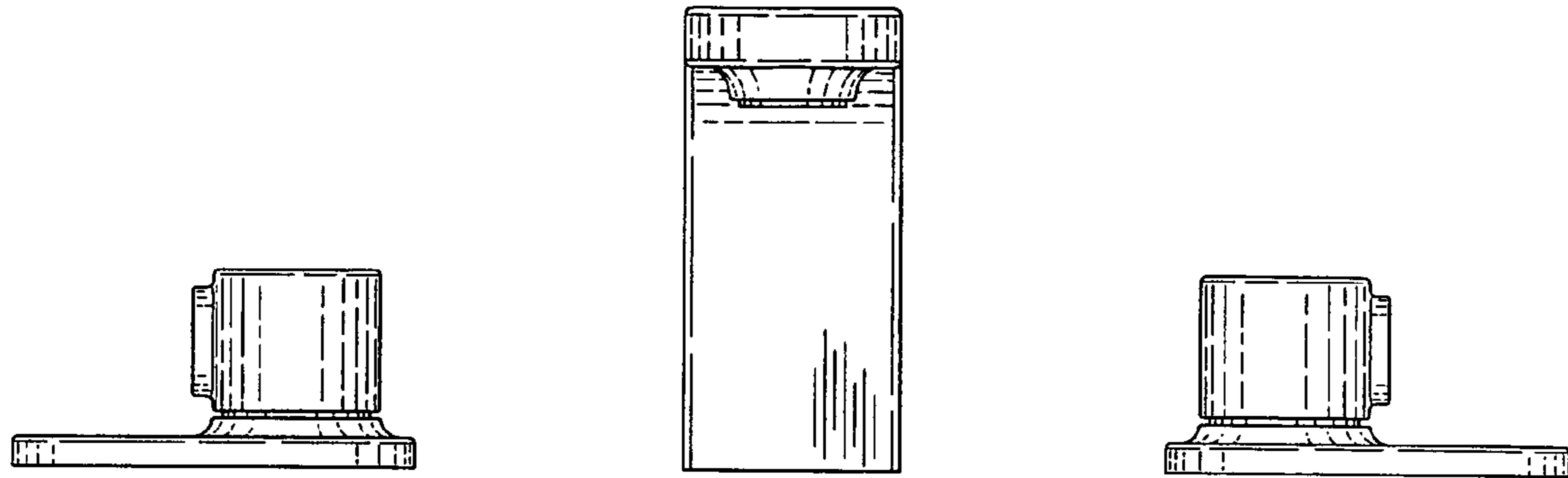


FIG. 2

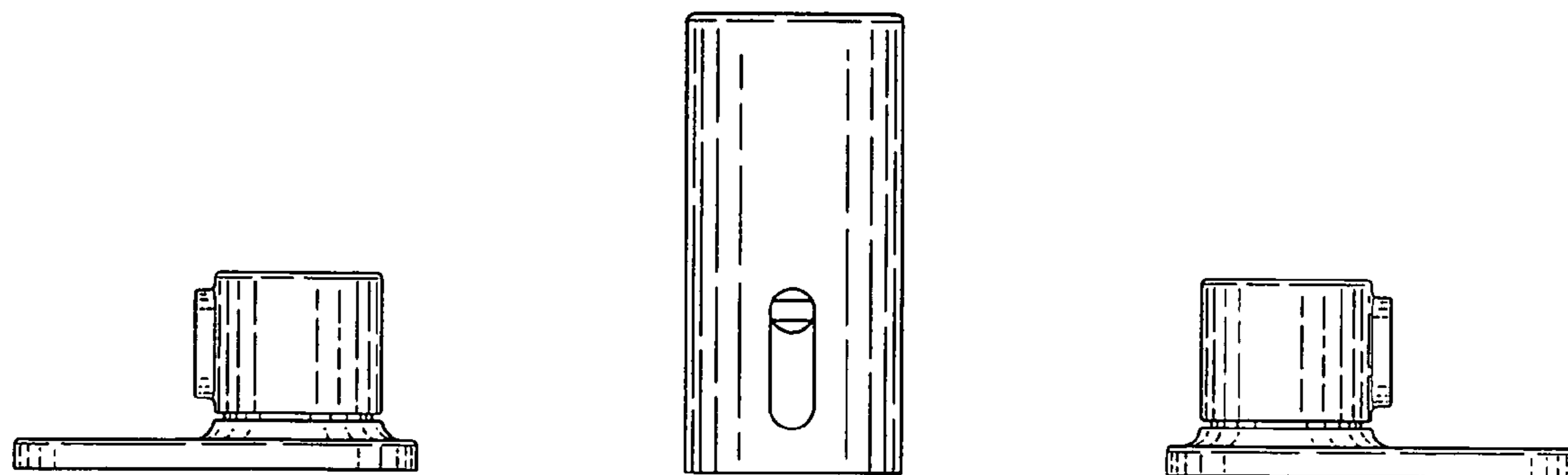


FIG. 3

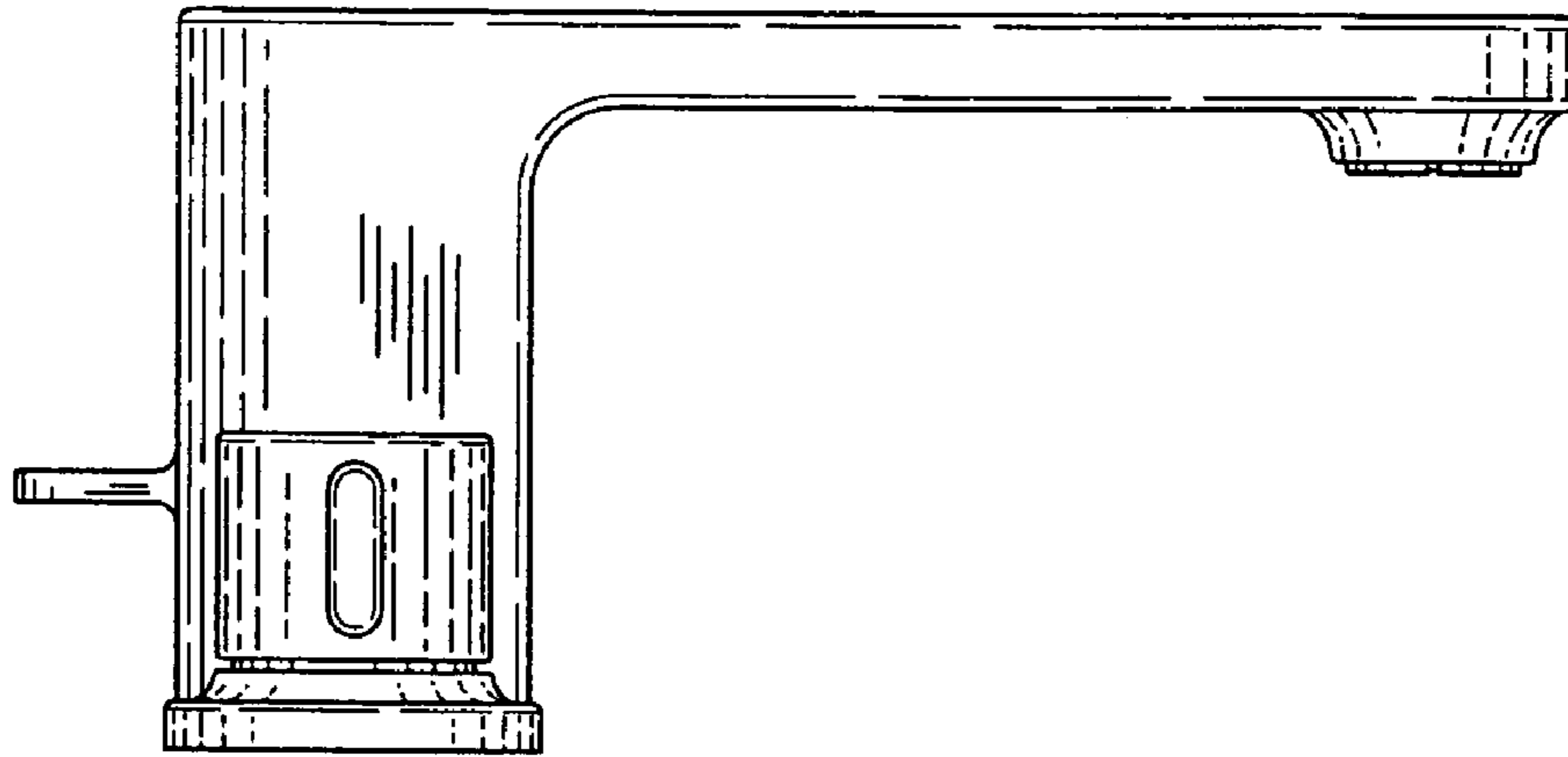


FIG. 4

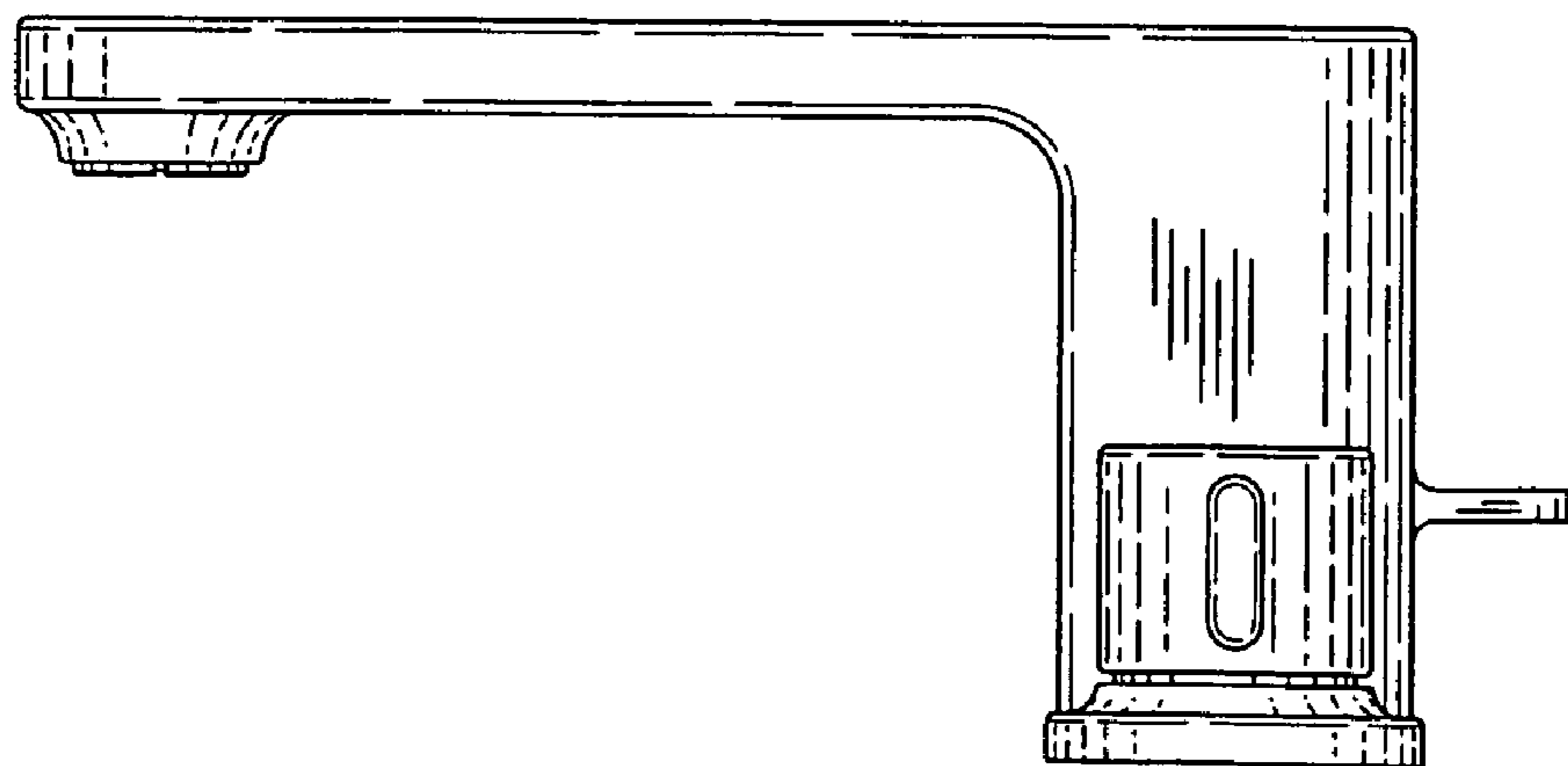


FIG. 5

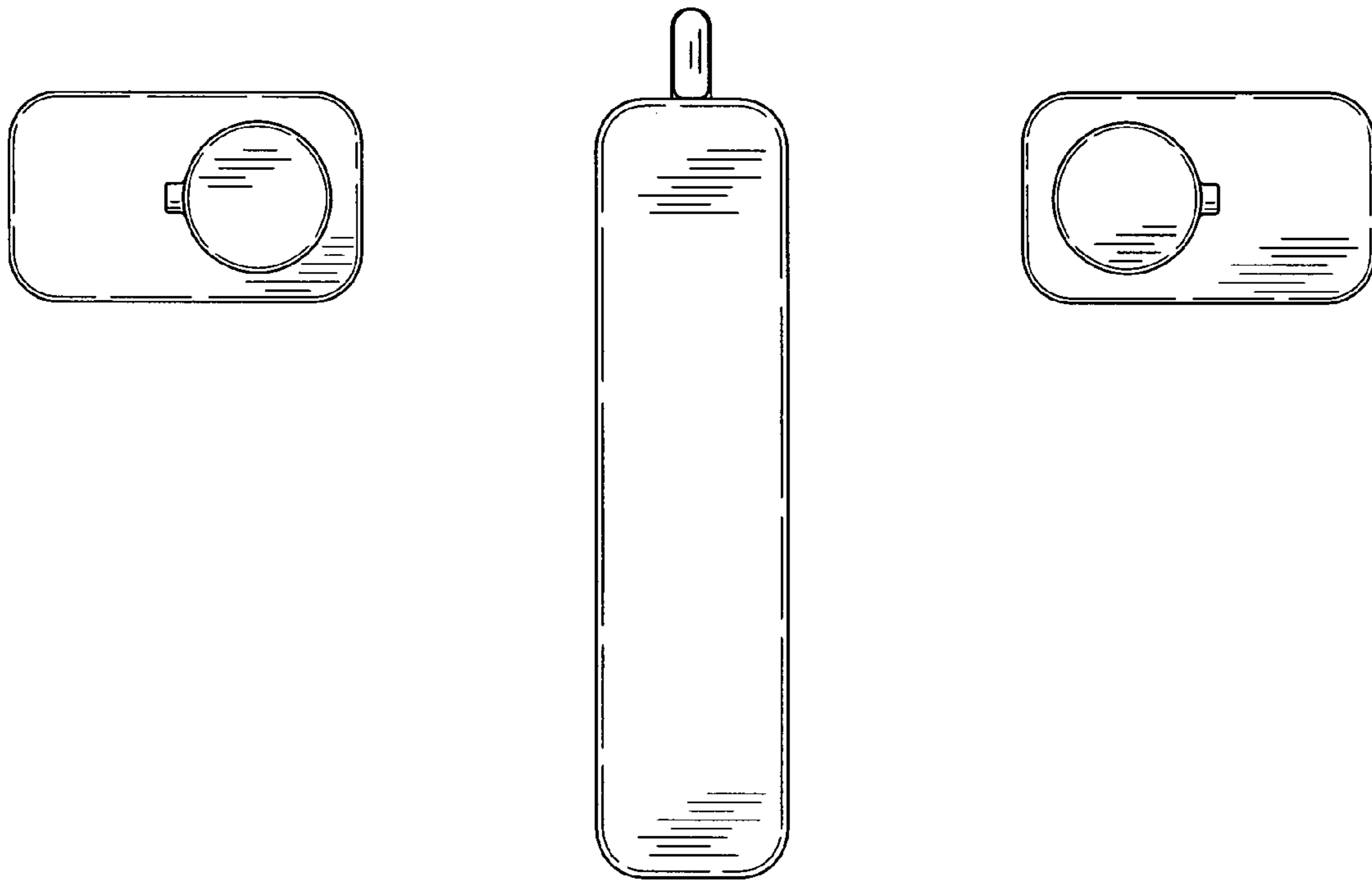


FIG. 6