



US00D557380S

(12) **United States Design Patent**
Shieh

(10) **Patent No.:** **US D557,380 S**

(45) **Date of Patent:** **** Dec. 11, 2007**

(54) **SINGLE HANDLE HANGING KITCHEN FAUCET**

(75) Inventor: **Ming-Dang Shieh**, Chang Hua Hsien (TW)

(73) Assignee: **Horng Lai Industrial Co., Ltd**, Lu Kang (TW)

(**) Term: **14 Years**

(21) Appl. No.: **29/248,795**

(22) Filed: **Sep. 5, 2006**

(51) **LOC (8) Cl.** **23-01**

(52) **U.S. Cl.** **D23/238**

(58) **Field of Classification Search** D23/238-257;
4/675-678; 137/801

See application file for complete search history.

(56) **References Cited**

U.S. PATENT DOCUMENTS

D520,114 S *	5/2006	Starck	D23/238
D534,620 S *	1/2007	Zhou	D23/238
D534,990 S *	1/2007	Zhou	D23/238

* cited by examiner

Primary Examiner—Ian Simmons

Assistant Examiner—Gregory Andoll

(74) *Attorney, Agent, or Firm*—Alan Kamrath; Kamrath & Associates P.A.

(57) **CLAIM**

The ornamental design for a single handle hanging kitchen faucet, as shown and described.

DESCRIPTION

FIG. 1 is a perspective view of a single handle hanging kitchen faucet showing my design;

FIG. 2 is a front single handle hanging kitchen faucet view thereof;

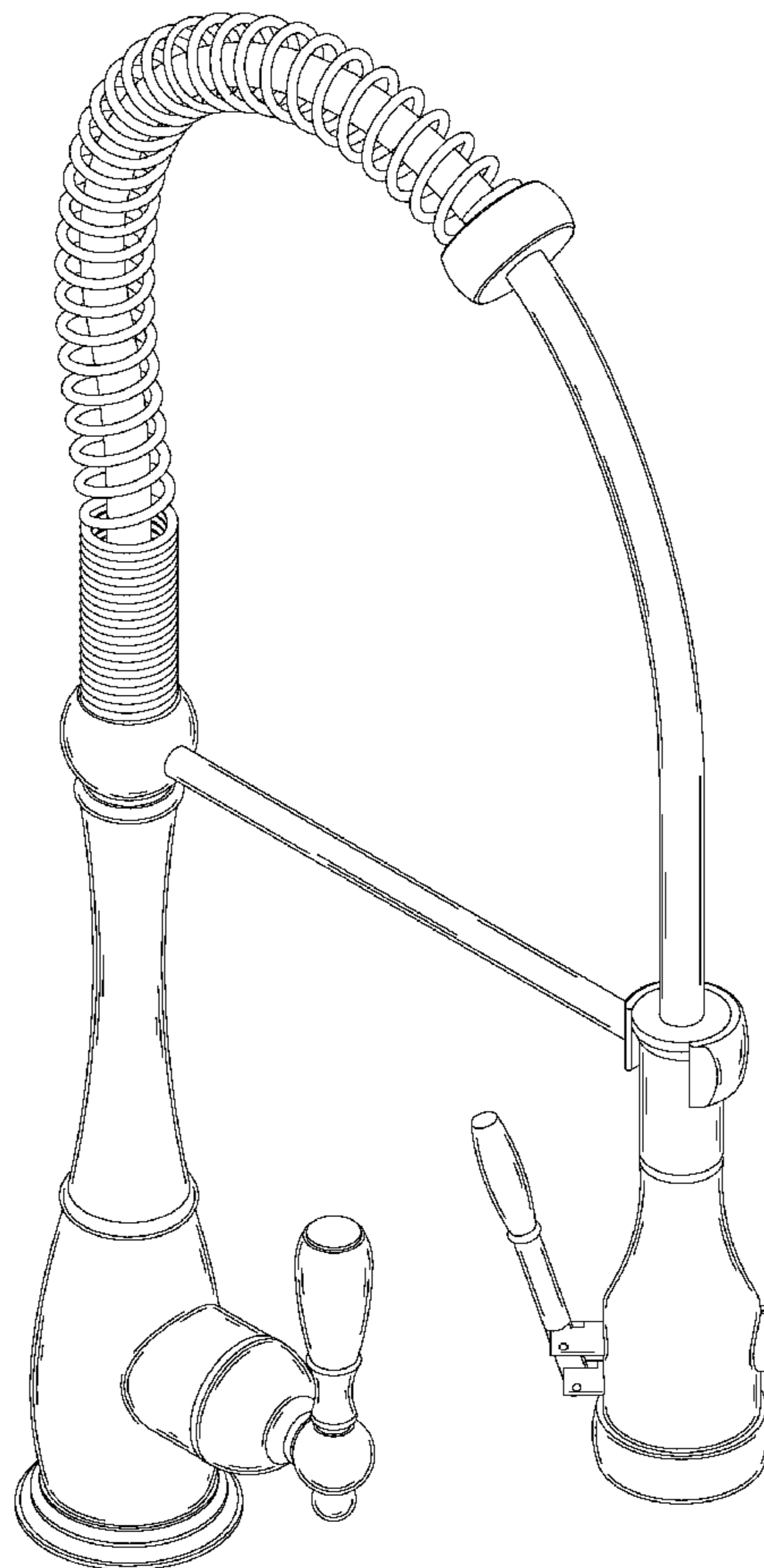
FIG. 3 is a rear single handle hanging kitchen faucet view thereof;

FIG. 4 is a left side single handle hanging kitchen faucet view thereof;

FIG. 5 is a right side single handle hanging kitchen faucet view thereof; and,

FIG. 6 is a top plan view thereof.

1 Claim, 5 Drawing Sheets



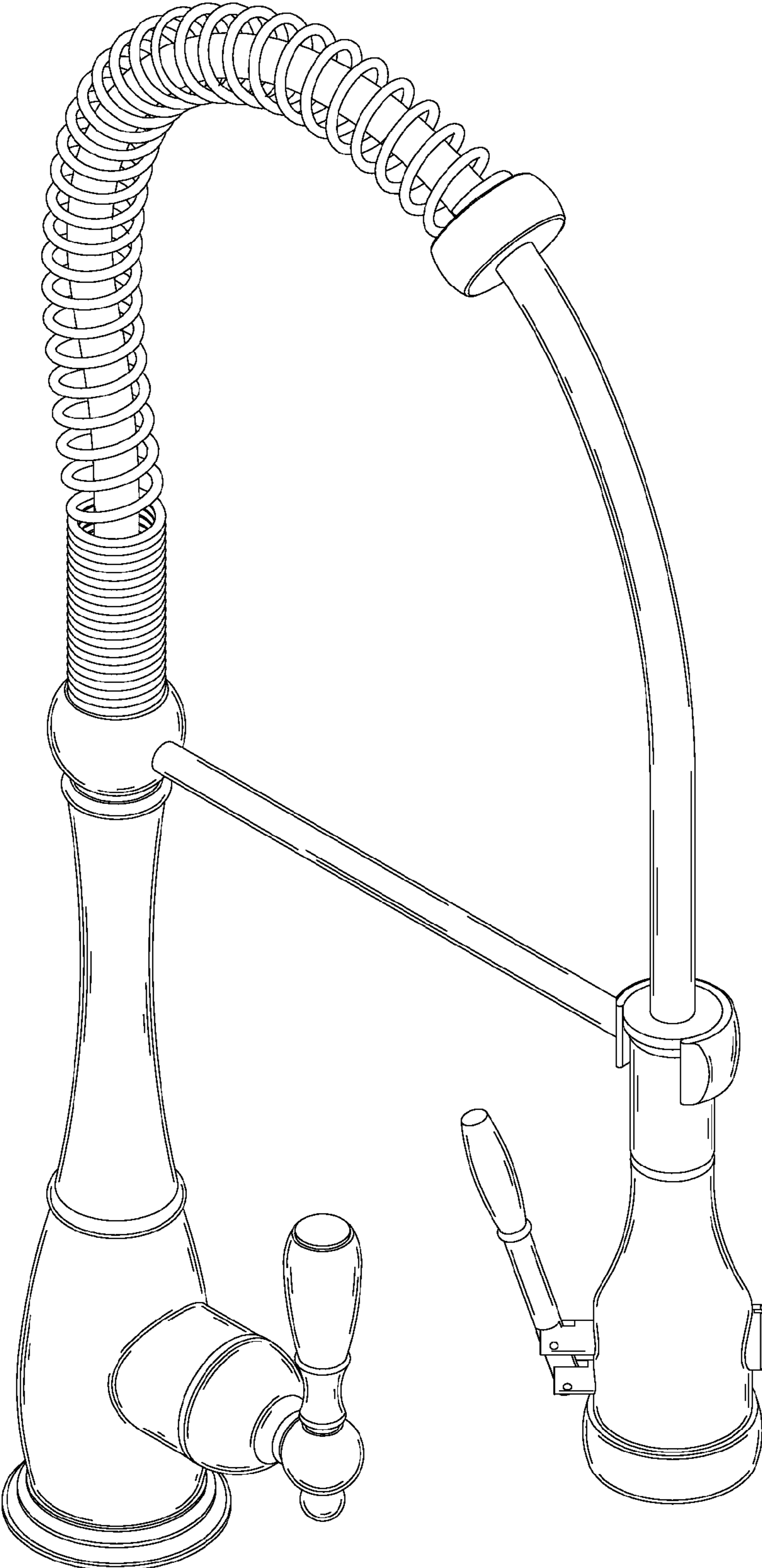


FIG. 1

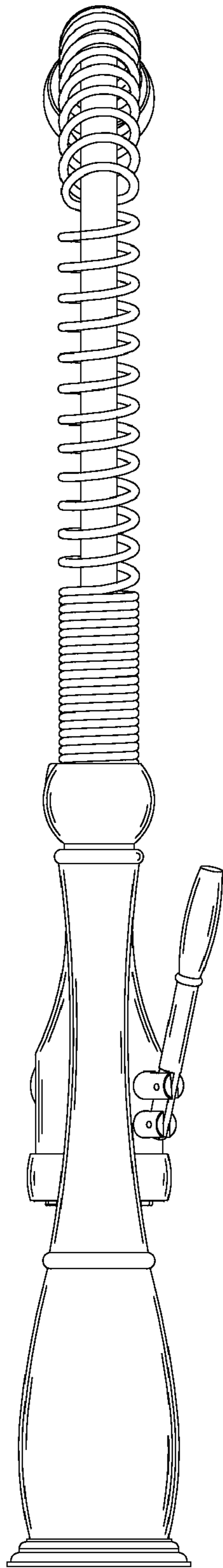


FIG. 3

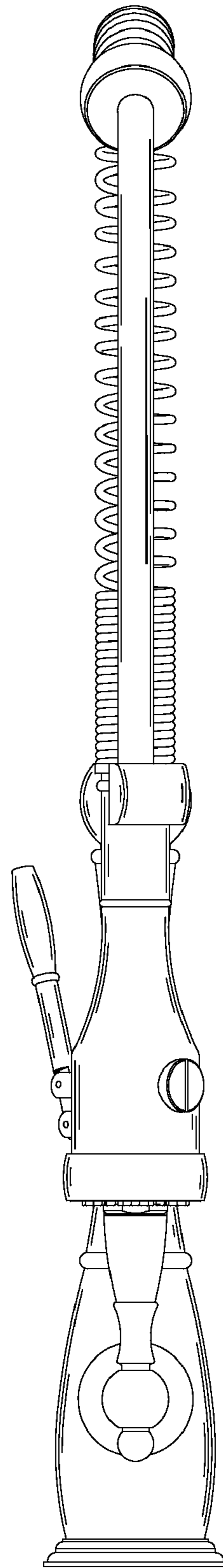


FIG. 2

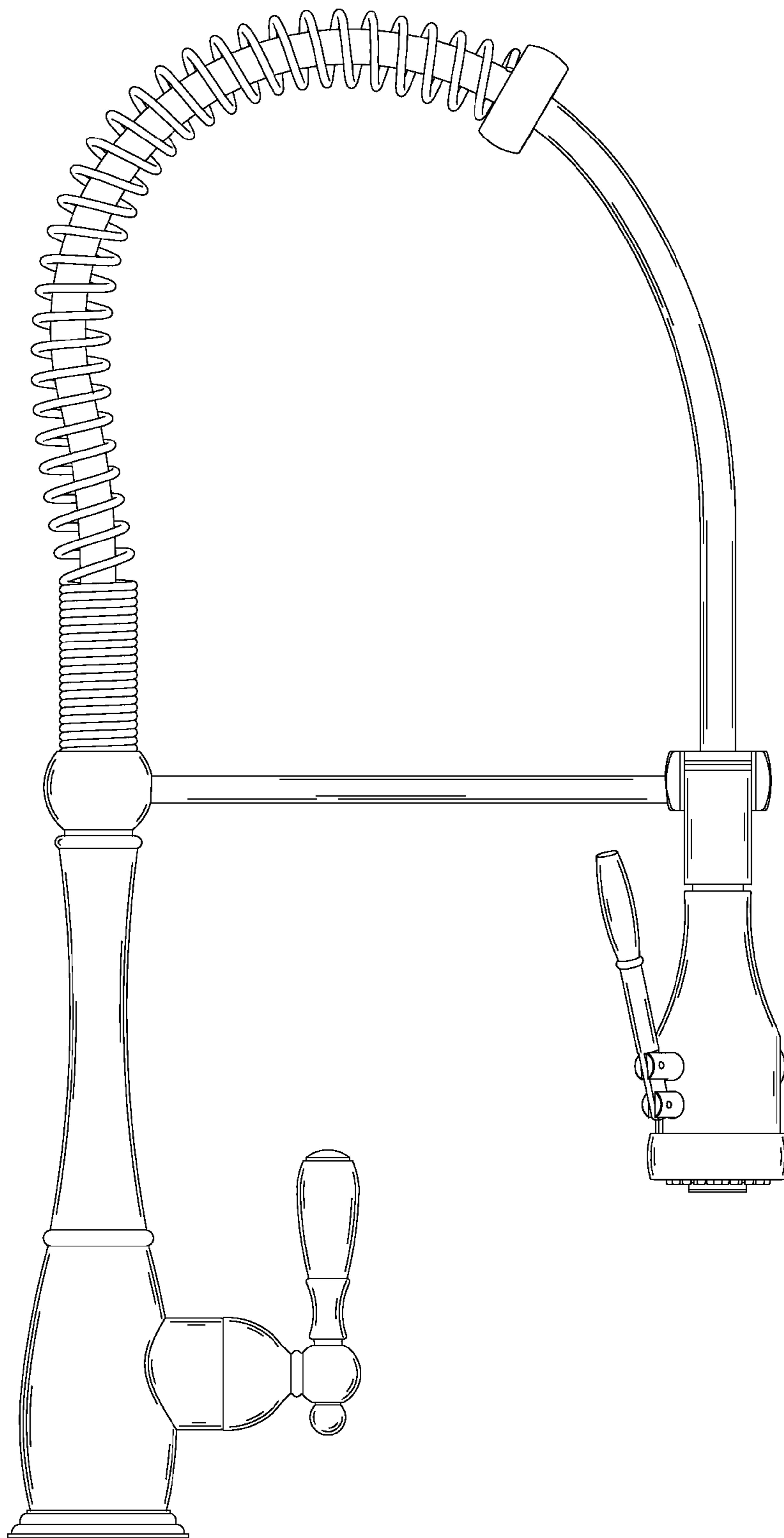


FIG. 4

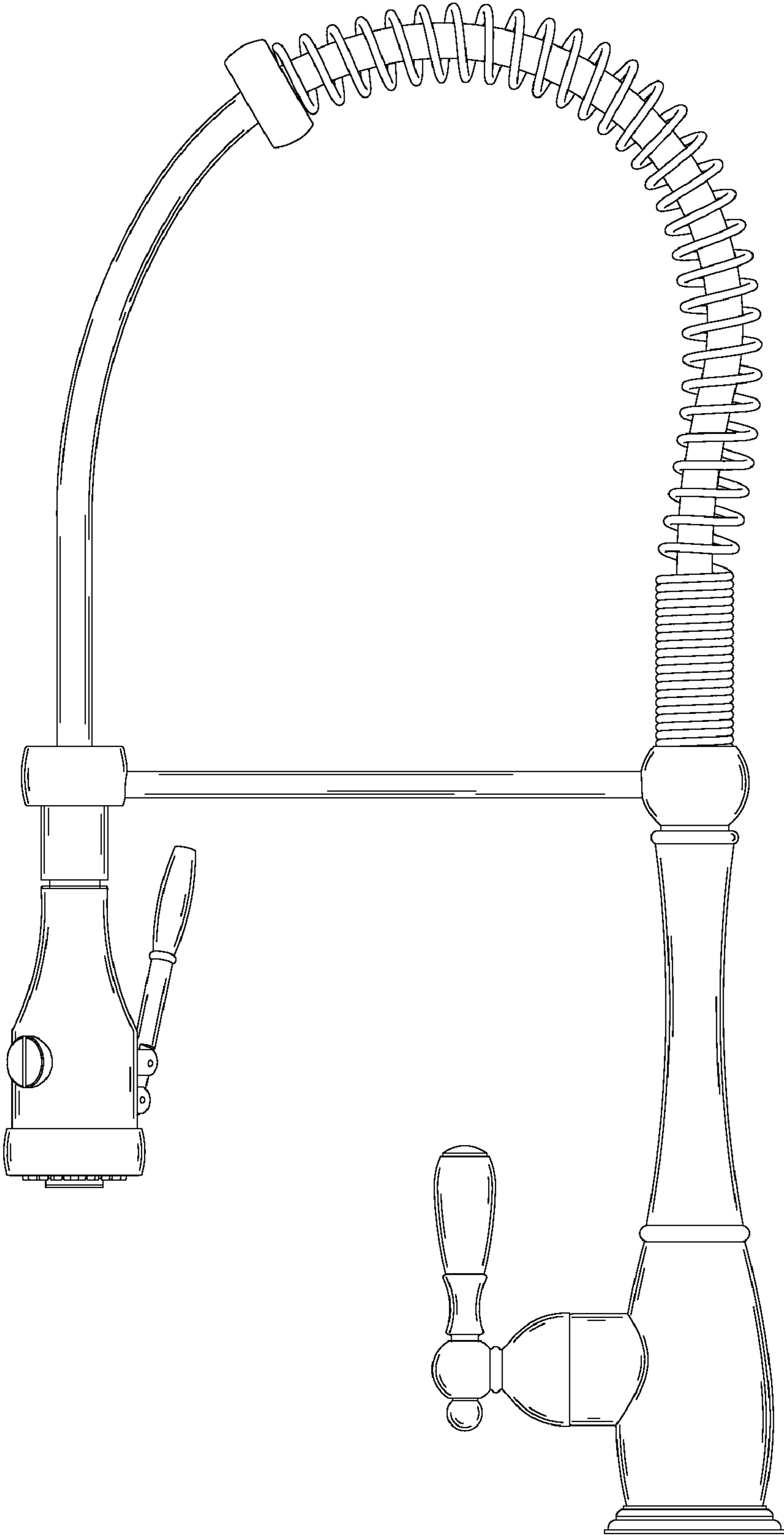


FIG. 5

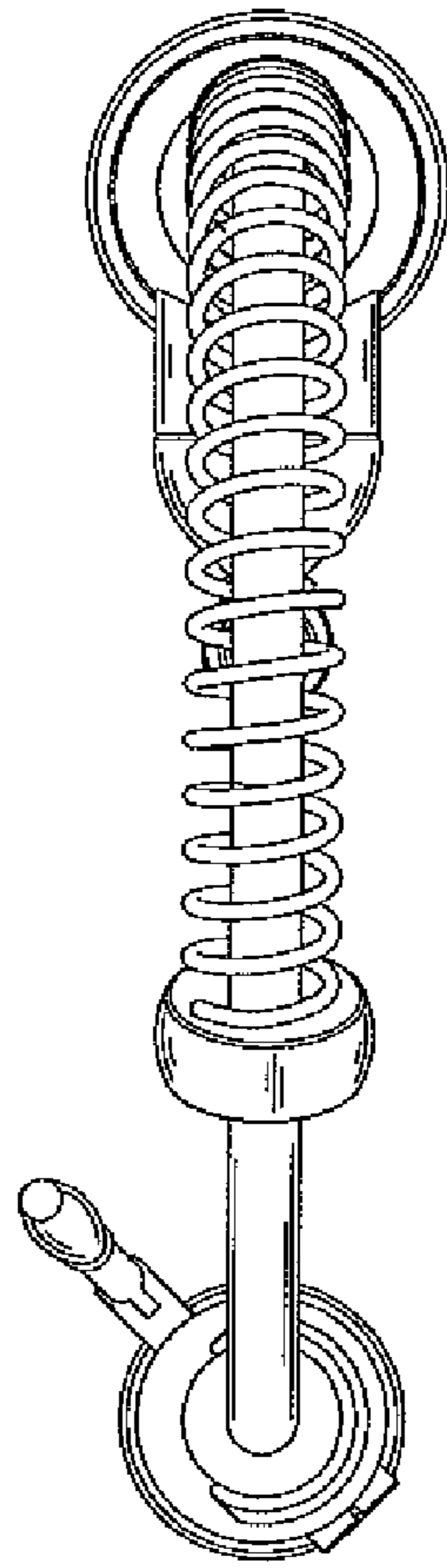


FIG. 6